

SONY

User Guide

Personal Computer
VGC-RT series



Contents

Before Use	6
Notice	7
Documentation	8
Ergonomic Considerations	12
Getting Started	14
Locating Controls and Ports	15
About the Indicator Lights	21
Setting Up Your Computer	22
Shutting Down Your Computer Safely	37
Using Your VAIO Computer	38
Using the Keyboard	39
Using the Touch Pad	43
Using the Mouse	44
Using the Optical Disc Drive	47
Using the TV Function	57
Using the HDMI Input Function	66
Using the ExpressCard Module	72
Using the Memory Stick	76
Using the SD Memory Card	82
Using the CF Memory Card	85
Using the Internet.....	89

- Using the Network (LAN)90
- Using the Wireless LAN (WLAN)92
- Using the Bluetooth Function.....99
- Using Peripheral Devices.....105
 - Connecting External Speakers106
 - Connecting an External Display.....108
 - Selecting Display Modes.....113
 - Using the Multiple Monitors Function.....114
 - Connecting a Universal Serial Bus (USB) Device.....116
 - Connecting a Printer118
 - Connecting an i.LINK Device119
- Customizing Your VAIO Computer121
 - Setting the Password.....122
 - Setting Up Your Computer with the VAIO Control Center.....127
 - Using the Power Saving Mode.....128
 - Setting Up Your Language with Windows Vista Ultimate.....131
- Upgrading Your VAIO Computer.....132
 - Adding and Removing Memory.....133
 - Replacing the Hard Disk Drive.....140

Precautions	151
Handling the LCD Screen	152
Using the Power Source	153
Handling Your Computer	154
Handling Floppy Disks	157
Handling Discs	158
Using Headphones	159
Handling the Memory Stick	160
Handling the Hard Disk	161
Updating Your Computer	162
Troubleshooting	163
Computer	164
System Security	170
Networking	171
Bluetooth Technology	176
Optical Discs	180
Display	184
Printing	188
Microphone	189
Mouse	190
Speakers	192
Touch Pad	194
Keyboard	195
Floppy Disks	197

Audio/Video.....	198
HDMI Input.....	202
Memory Stick	204
Peripherals.....	205
Support Options	206
Sony Support Information	206
Trademarks	207

Before Use

Congratulations on your purchase of this Sony VAIO® computer, and welcome to the on-screen User Guide. Sony has combined leading-edge technology in audio, video, computing, and communications to provide state-of-the-art personal computing experience.



External views illustrated in this manual may look slightly different from those of your computer.

Information in the supplied manuals including this User Guide is intended for users of the VAIO computers with the Microsoft® Windows Vista® 32-bit operating system. You may find differences in the information when your computer comes preinstalled with the 64-bit operating system.

Notice

© 2009 Sony Corporation. All rights reserved.

This manual and the software described herein, in whole or in part, may not be reproduced, translated, or reduced to any machine-readable form without prior written approval.

Sony Corporation provides no warranty with regard to this manual, the software, or other information contained herein and hereby expressly disclaims any implied warranties or merchantability or fitness for any particular purpose with regard to this manual, the software, or such other information. In no event shall Sony Corporation be liable for any incidental, consequential, or special damages, whether based on tort, contract, or otherwise, arising out of or in connection with this manual, the software, or other information contained herein or the use thereof.

In the manual, the ™ or ® marks are not specified.

Sony Corporation reserves the right to make any modification to this manual or the information contained herein at any time without notice. The software described herein is governed by the terms of a separate user license agreement.

Sony Corporation is not liable and will not compensate for any lost recordings made to your computer, external recording media, or recording devices or any relevant losses, including when recordings are not made due to reasons including your computer failure, or when the contents of a recording are lost or damaged as a result of your computer failure or repair undertaken to your computer. Sony Corporation will not restore, recover, or replicate the recorded contents made to your computer, external recording media, or recording devices under any circumstances.

Documentation

Your documentation includes printed information and user guides to read on your VAIO computer.

Printed Documentation

- ❑ **Quick Start Guide** — Describes the process from unpacking to starting up your VAIO.
- ❑ **Troubleshooting and Recovery Guide** — Contains solutions to problems other than those you encounter during normal operation.
- ❑ **Regulations, Guarantee, EULA and Service Support** — Contains Sony guarantee conditions, safety / regulations, modem regulations, wireless LAN regulations, wireless WAN regulations, Bluetooth® regulations, end user software license agreement, and Sony support services information.

Non-printed Documentation

- ❑ **User Guide** (this manual) — Explains features of your computer. It also includes information on solving common problems. The **User Guide** is provided in PDF format for easy browsing and printing.

To view this on-screen guide:

- 1 Double-click the **Me&My VAIO** icon on the desktop.
- 2 Click **Menu, Me&My VAIO, I Need Help, and VAIO User Guide**.
- 3 Open the folder for your language.
- 4 Select the guide you want to read.



You can manually browse to the user guides by going to **Computer > VAIO (C:)** (your C drive) > **Documentation > Documentation** and opening the folder for your language.

To go to web sites described in this manual by clicking their respective URLs beginning with `http://`, your computer must be connected to the Internet.

- ❑ **Specifications** — The online specifications describe the hardware and software configurations of your VAIO computer.

To view the online specifications:

- 1 Connect to the Internet.
- 2 Go to the Sony online support web site at <http://www.vaio-link.com>.




You may have a separate disc that includes documentation for the bundled accessories.

Windows Help and Support

Windows Help and Support is a comprehensive resource for practical advice, tutorials, and demonstrations to help you learn to use your computer.

Use the search feature, index, or table of contents to view all Windows Help resources, including those on the Internet.

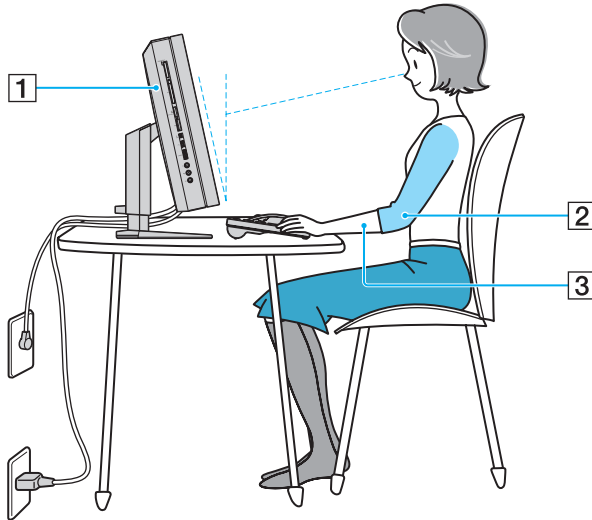
To access **Windows Help and Support**, click **Start**  and **Help and Support**. Or go to **Windows Help and Support** by pressing and holding the Microsoft Windows key and pressing the **F1** key.

Further Sources

- ❑ Consult the help files included with the software you are using for detailed information on features and troubleshooting.
- ❑ Go to <http://www.club-vaio.com> to find online tutorials about your favorite VAIO software.

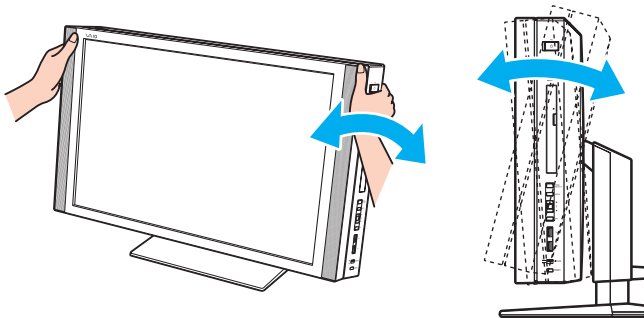
Ergonomic Considerations

Whenever possible, you should attempt to take account of the following ergonomic considerations:



- ❑ **Position of your computer** – Place the display directly in front of you (1). Keep your forearms horizontal (2), with your wrists in a neutral, comfortable position (3) while using the keyboard, pointing device, or mouse. Let your upper arms hang naturally at your sides. Take frequent breaks while using your computer. Excessive use of the computer may strain eyes, muscles, or tendons.
- ❑ **Furniture and posture** – Sit in a chair with good back support. Adjust the level of the chair so your feet are flat on the floor. A footrest may make you more comfortable. Sit in a relaxed, upright posture and avoid slouching forward or leaning far backwards.

- ❑ **Viewing angle of the display** – Use the display's tilting feature to find the best position. You can reduce eye strain and muscle fatigue by adjusting the tilt of the display to the proper position. Adjust the brightness level of the display as well.



! While adjusting the viewing angle, do not exert excessive pressure on your computer, especially on the center of the speaker grill, to eliminate a risk of mechanical damage.

- ❑ **Lighting** – Choose a location where windows and lights do not cause glare and reflection on the display. Use indirect lighting to avoid bright spots on the display. Proper lighting adds to your comfort and work efficiency.
- ❑ **Ventilation** – Make sure you leave at least 10 cm of space behind and at least 20 cm of space on each side of the main unit.

Getting Started

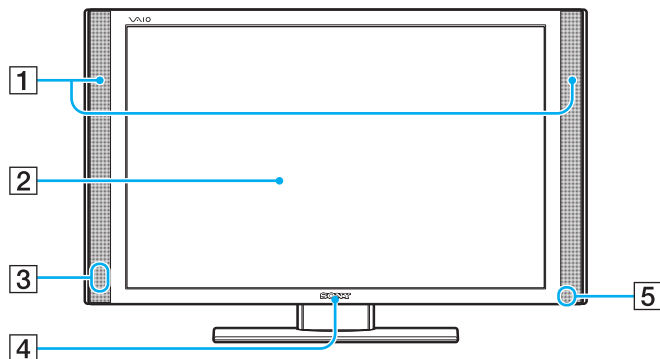
This section describes how to get started using your VAIO computer.

- ❑ **Locating Controls and Ports** ([page 15](#))
- ❑ **About the Indicator Lights** ([page 21](#))
- ❑ **Setting Up Your Computer** ([page 22](#))
- ❑ **Shutting Down Your Computer Safely** ([page 37](#))

Locating Controls and Ports

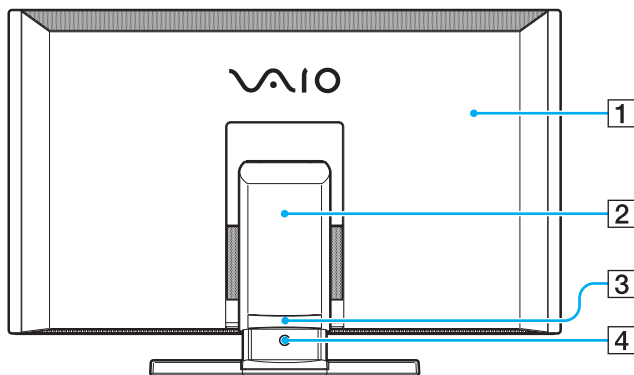
Take a moment to identify the controls and ports shown on the following pages.

Front

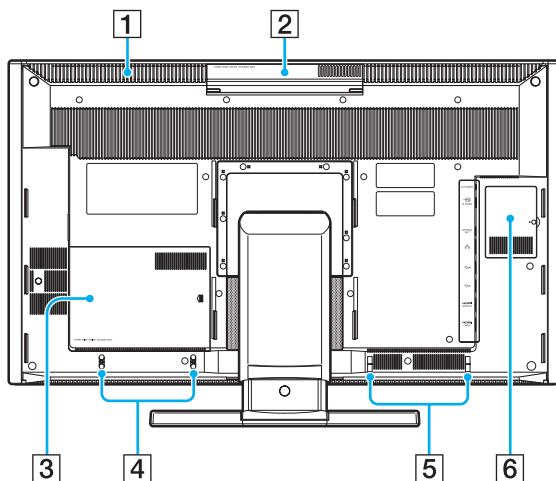


- 1 Built-in speakers (stereo)
- 2 LCD screen ([page 152](#))
- 3 Remote sensor
Point the supplied remote commander to this sensor for operations.
- 4 SONY logo lamp ([page 127](#))
- 5 System power indicator ([page 21](#))

Back

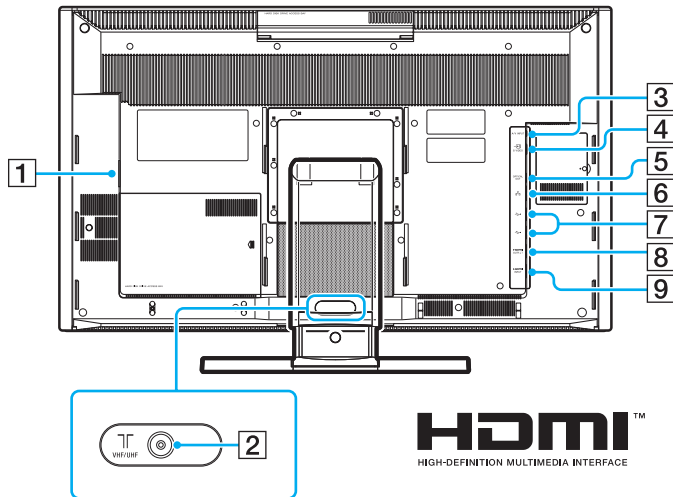


- 1 Back panel cover
Remove the back panel cover to access the ports and jacks behind it ([page 22](#)).
- 2 Base stand ([page 156](#))
- 3 Base stand cable clamp ([page 28](#))
- 4 Base stand release button ([page 33](#))



- 1 Air exhaust vent ([page 155](#))
- 2 Top **HARD DISK DRIVE ACCESS BAY** (Port 1) cover ([page 140](#))
- 3 Bottom **HARD DISK DRIVE ACCESS BAY** (Port 0) cover ([page 140](#))
- 4 Left cable clamps ([page 25](#))
- 5 Right cable clamps ([page 27](#))
- 6 Memory module compartment cover ([page 133](#))

! The aluminum part in the vicinity of the air exhaust vent (1) on the top surface of the main unit becomes hot while your computer is on. Be sure to wait until the main unit cools down before you touch the top surface.

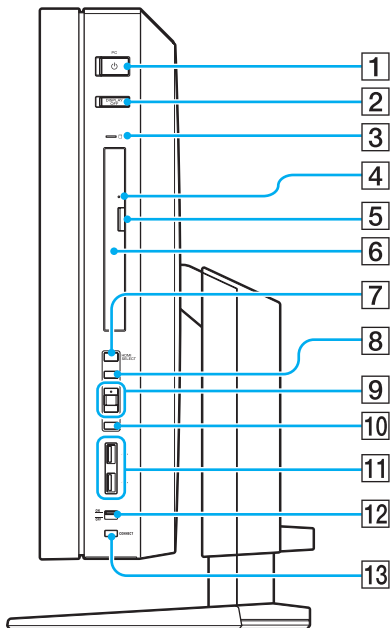


- 1 AC In port (page 24)
- 2 VHF/UHF input port (page 57)
- 3 A/V INPUT jack^{*1}
Connect an external device such as a VCR.
- 4 S VIDEO input port^{*1}
Connect an external device such as a VCR.
- 5 OPTICAL OUT port (page 106)
(Output Sampling Rate: 44.1 KHz/48.0 KHz/96.0 KHz)
- 6 Network (Ethernet) port (page 90)
- 7 Hi-Speed USB (USB 2.0) ports^{*2} (page 116)
- 8 HDMI OUTPUT port (page 108)
- 9 HDMI INPUT port (page 66)

^{*1} On selected models only.

^{*2} Support high-/full-/low- speeds.

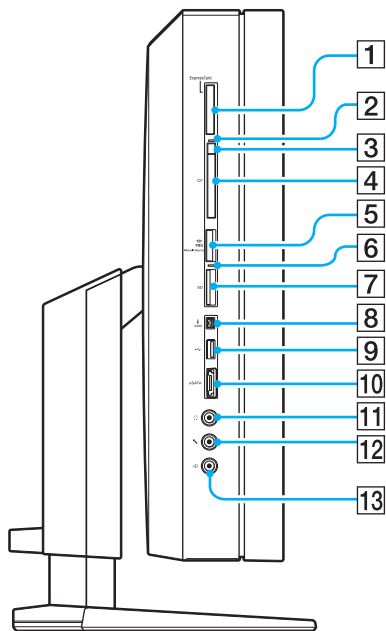
Right



- 1 Power button/Power indicator (page 21)
- 2 **DISPLAY OFF** button/**DISPLAY OFF** indicator (page 21)
Press this button to turn off the LCD backlight. While the HDMI input is selected by the **HDMI SELECT** button (page 67), pressing this button also turns off the volume.
- 3 Hard disk drive/Optical disc drive indicator (page 21)
- 4 Manual eject hole (page 180)
- 5 Drive eject button (page 47)
- 6 Optical disc drive (page 47)
- 7 **HDMI SELECT** button (page 67)/
HDMI SELECT indicator (page 21)
- 8 **MENU** button (page 67)
- 9 Up/Down buttons (page 67)
- 10 **OK** button (page 67)
- 11 Hi-Speed USB (USB 2.0) ports* (page 116)
- 12 **WIRELESS** switch (page 92)/
WIRELESS indicator (page 21)
- 13 **CONNECT** button (page 29), (page 31)

* Support high-/full-/low- speeds.

Left



- 1 **ExpressCard/34** slot (page 72)
- 2 **CF** (CompactFlash) memory card indicator (page 21)
- 3 **CF** memory card release button (page 85)
- 4 **CF** memory card slot (page 85)
- 5 Memory Stick slot*¹ (page 76)
- 6 Media Access indicator (page 21)
- 7 **SD** memory card slot (page 82)
- 8 i.LINK 4-pin (S400) port (page 119)
- 9 Hi-Speed USB (USB 2.0) port*² (page 116)
- 10 **eSATA** port*³
Connect an external hard disk.
- 11 Headphones jack (page 106)
- 12 Microphone jack
Connect an external microphone.
- 13 Line In jack
Connect an external audio device for audio input.



*1 Your computer supports both the standard-size Memory Stick and the Duo-size Memory Stick.

*2 Supports high-/full-/low- speeds.

*3 When disconnecting the external hard disk, be sure to double-click the **Safely Remove Hardware** icon on the taskbar and follow the on-screen instructions.

About the Indicator Lights

Your computer is equipped with the following indicator lights:

Indicator	Functions
Power 	Illuminates in green when the computer is on, illuminates in orange while the computer is in Sleep mode, and turns off when the computer is off.
System power	Illuminates when the computer is on and/or when the HDMI-compatible device connected to the HDMI INPUT port is on.
CF memory card	Illuminates while data is being read from or written to a CF memory card. (Do not place the computer into Sleep mode or turn it off when this indicator is lit.) When the indicator is unlit, the CF memory card is not in use.
Media Access	Illuminates when data is read from or written to a memory card. (Do not place the computer into Sleep mode or turn it off when this indicator is lit.) When the indicator is unlit, the memory card is not in use.
HDMI SELECT	Illuminates in green while the HDMI input is selected.
DISPLAY OFF	Illuminates in orange when the LCD backlight is turned off.
Hard disk drive/Optical disc drive 	Illuminates when the drive is reading or writing data. Do not place the computer into Sleep mode or turn it off when this indicator is lit.
WIRELESS	Illuminates when the WIRELESS switch is turned on, provided that one or more wireless options are enabled in the VAIO Smart Network window.

Setting Up Your Computer

Removing and Replacing the Back Panel Cover

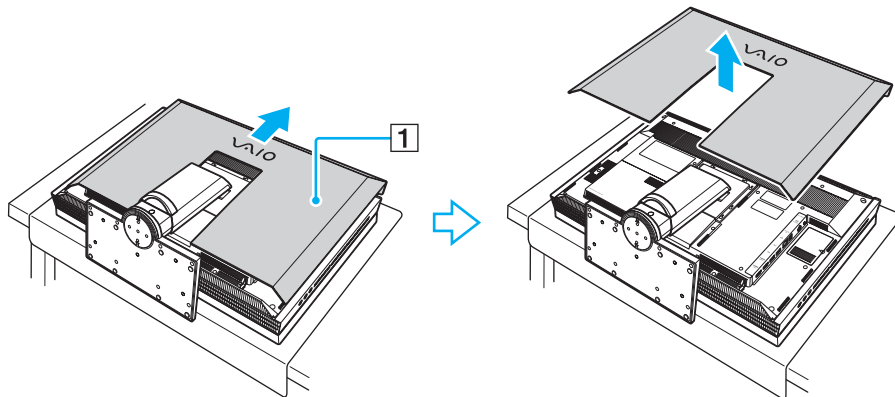
Before accessing ports and jacks on the back of your computer, you first need to remove the back panel cover from the computer.

To remove the back panel cover

- 1 Gently face down your computer on a flat surface.

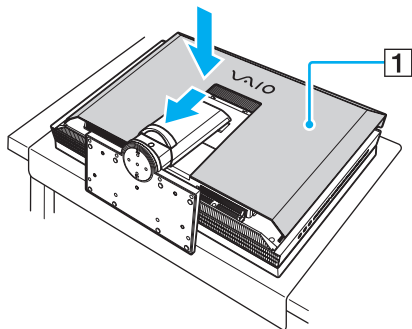
! When facing down your computer, be sure to place it on a soft cloth to avoid damage to the LCD screen.

- 2 Slide the back panel cover (1) toward the top of the computer until it unlocks.
- 3 Lift the cover away from the computer.



To replace the back panel cover

- 1 Place the back panel cover (1) on the computer aligning both sides with the computer.
- 2 Slide the cover toward the base of the computer until it locks into place.



! Keep the back panel cover on the computer unless access to the back panel is necessary.

Connecting a Power Source and Cables

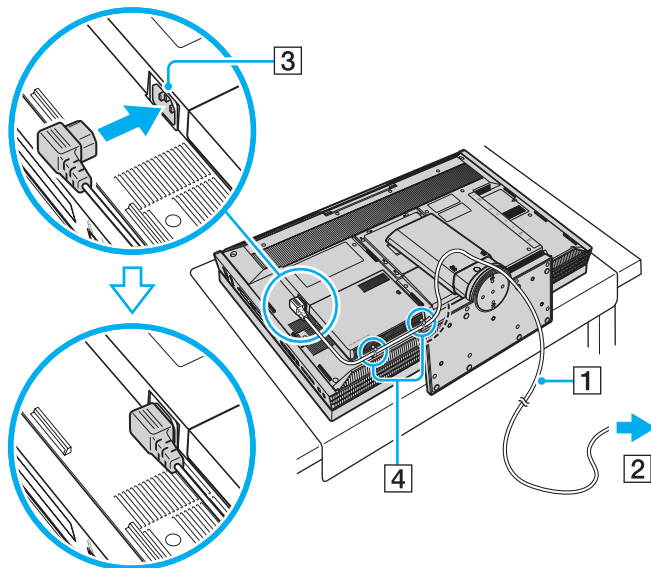
You need a power cord to connect your computer to an AC power source and it must be plugged into the power source before you can establish communication with your wireless keyboard and mouse. In addition, you might want to connect other cables if you use some functions of your computer, such as the network (LAN) function.



Use only the supplied power cord for your computer.

To connect the power cord and other cables

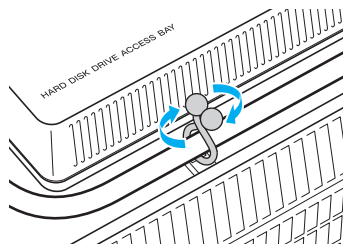
- 1 Remove the back panel cover from the computer.
See **Removing and Replacing the Back Panel Cover** ([page 22](#)) for the procedure.
- 2 Plug one end of the power cord (1) into the AC outlet (2), plug the other end into the AC In port (3) on the computer, and secure the power cord with the left cable clamps (4) on the computer.



! Be sure to properly ground your computer.



To open and close the left cable clamps, twist the clamp tips as illustrated below.

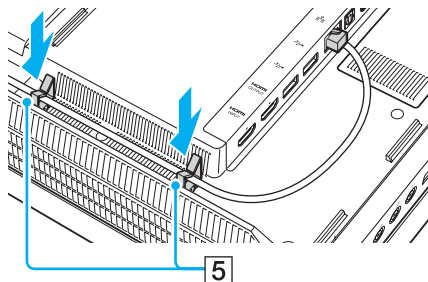


3 Connect other cables to the computer, if necessary.

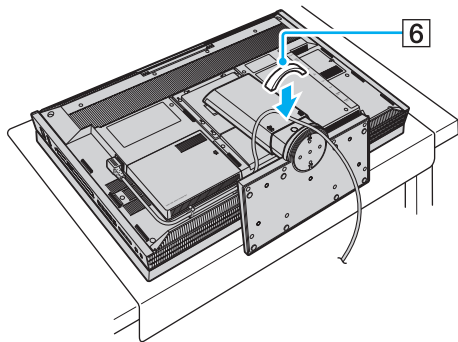
- ❑ To set up TV connections, see **Using the TV Function (page 57)**.
- ❑ To connect an HDMI cable to the **HDMI INPUT** port for using the HDMI Input function **(page 66)**.
- ❑ To connect your computer to an Ethernet network, see **Using the Network (LAN) (page 90)**.



When you have connected cables, push them into the right cable clamps (5) on the computer to secure the cables.



- 4 Bundle the power cord and other cables together by replacing the supplied base stand cable clamp (6).



- 5 Replace the back panel cover.
See **Removing and Replacing the Back Panel Cover** ([page 22](#)) for the procedure.



To disconnect your computer completely from AC power, unplug the power cord when the computer is off.

Make sure that the AC outlets are easily accessible.

! If you unplug the power cord from your computer while the computer is on or in Sleep mode, you may lose all unsaved data.

Connecting the Wireless Keyboard

A wireless keyboard and four AA alkaline batteries for use in the keyboard are supplied with your computer. Before attempting to use the wireless keyboard, you must install the batteries and establish communication between the computer and the keyboard.



If you find your keyboard not working, for example after replacing the keyboard batteries, try the following steps for reconnection.

To connect the wireless keyboard



To connect the wireless keyboard, it must be located within a range of 30 cm to 1 m from the computer.

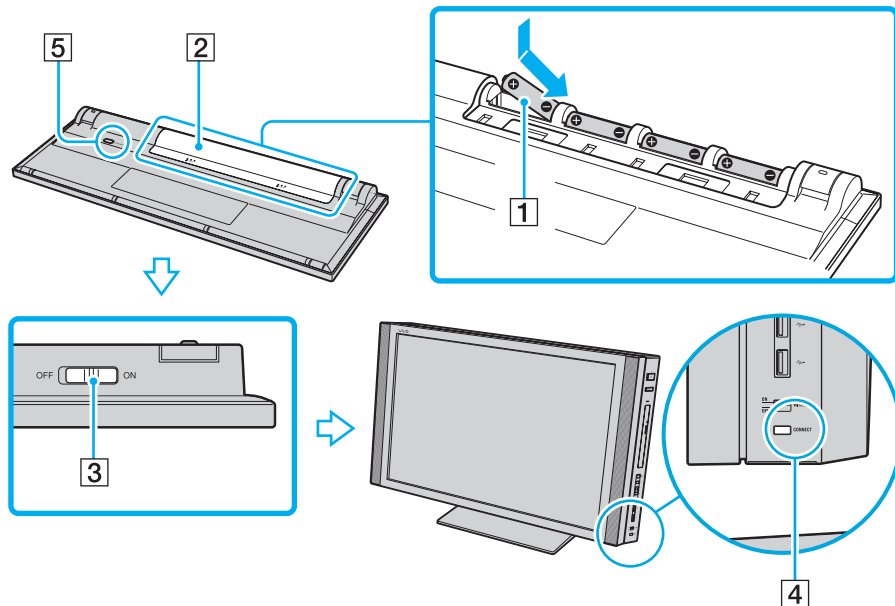
- 1 Insert the supplied four AA batteries (1) into the battery compartment (2) on the bottom of the wireless keyboard.
- 2 Turn on the computer.
- 3 Slide the power switch (3) on the back of the keyboard to the **ON** position.
- 4 Press the **CONNECT** button (4) on the right of the computer.
- 5 Press the **CONNECT** button (5) on the bottom of the keyboard.

The connect indicator Υ turns on in the LCD window on the keyboard when connection is established between the computer and the keyboard. If not, repeat the procedure.



Steps 4 and 5 must be completed within 10 seconds of each other.

If the wireless keyboard is left unused for 20 minutes or longer, the connect indicator Υ will turn off to conserve battery power. This indicates that the connection between your computer and the keyboard is lost. Press the **Fn** key to check that the connect indicator turns on before using the keyboard.



You can check the battery indicator (or) in the LCD window on the wireless keyboard for its battery power level.

If the wireless keyboard does not operate properly, the batteries may need to be replaced. If you do not intend to use the wireless keyboard for an extended period of time, remove the batteries to avoid possible damage from battery leakage.

If you want to put the wireless keyboard in a more 'ergonomic' position, flip open the keyboard feet.

Connecting the Wireless Mouse

A wireless mouse and two AA alkaline batteries for use in the mouse are supplied with your computer. Before attempting to use the wireless mouse, you must install the batteries and establish communication between your computer and the mouse.



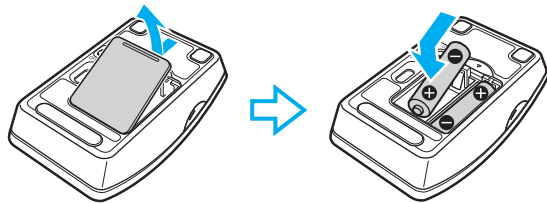
If you find your mouse not working, for example after replacing the mouse batteries, try the following steps for reconnection.

To connect the wireless mouse



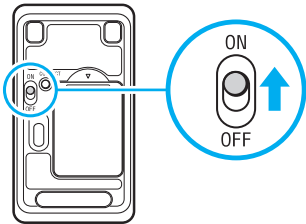
To connect the wireless mouse, it must be located within a range of 30 cm to 1 m from the computer.

- 1 Insert the supplied two AA batteries into the wireless mouse as shown below:

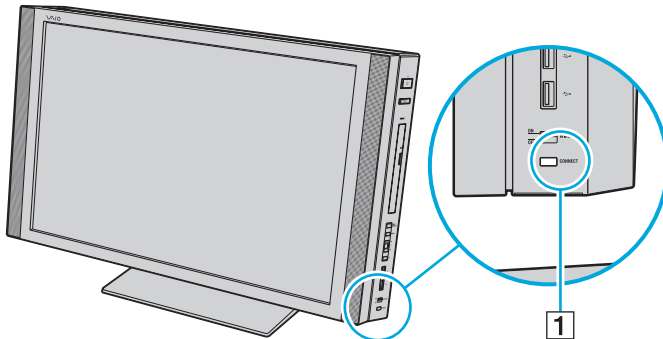


- 2 Turn on the computer.

- Slide the power switch on the bottom of the mouse to the **ON** position.



- Press the **CONNECT** button (1) on the right of the computer.



- Press the **CONNECT** button on the bottom of the mouse within 10 seconds from step 4. Communication between the mouse and the computer should now be established.



If the wireless mouse does not operate properly, the batteries may need to be replaced. If you do not intend to use the wireless mouse for an extended period of time, remove the batteries to avoid possible damage from battery leakage.

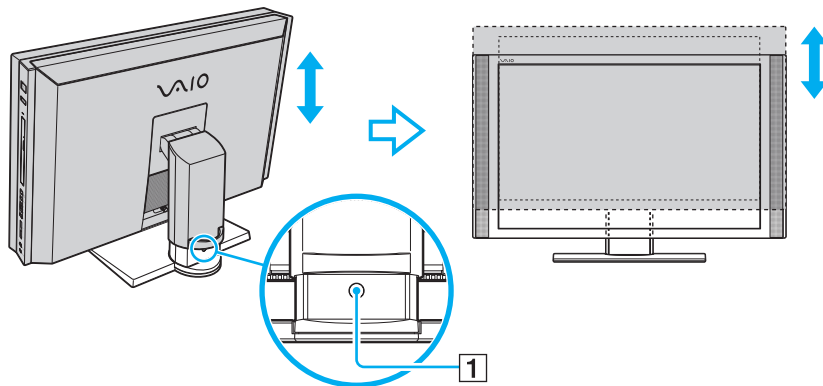
Adjusting the Height and the Turning Angle of the LCD Screen

In addition to the tilting feature described in **Ergonomic Considerations** (page 12), your computer has additional features to enhance ergonomic flexibility: height adjustment and swiveling.

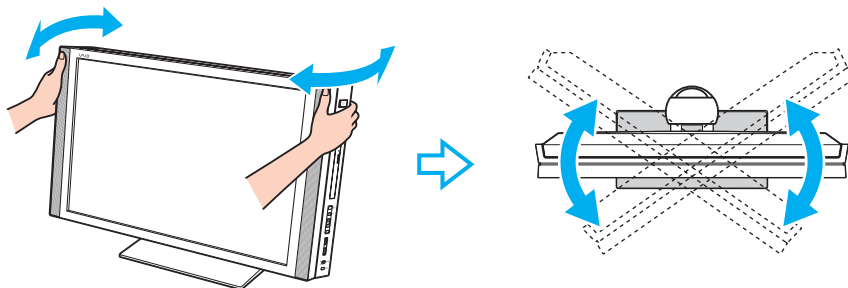
To raise the LCD screen, press and hold the base stand release button (1) with one hand and grasp the bottom of the main unit with the other hand and pull it up to your best height. You can raise the LCD screen by up to 60 mm. To lower the screen, just push down the main unit.

! Before raising the LCD screen, be sure to push down the main unit all the way down to the base position. Otherwise, you cannot press the base stand release button.

The aluminum part in the vicinity of the air exhaust vent on the top surface of the main unit becomes hot while your computer is on. Make sure that the top surface is cool enough to touch before you push down the main unit.



To swivel the LCD screen, grasp the main unit on the sides with both hands and turn it right or left.



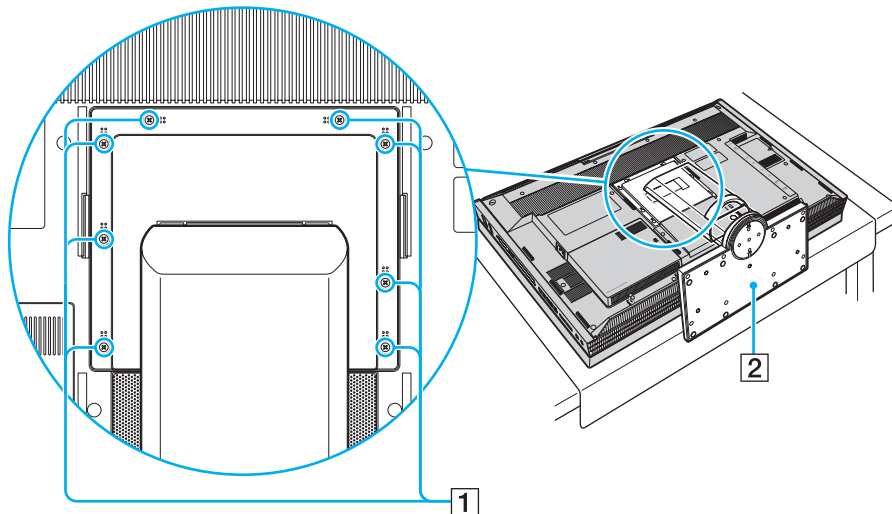
! While swiveling the LCD screen, do not exert excessive pressure on your computer, especially on the center of the speaker grill, to eliminate a risk of mechanical damage.

Preparing for Wall Mounting

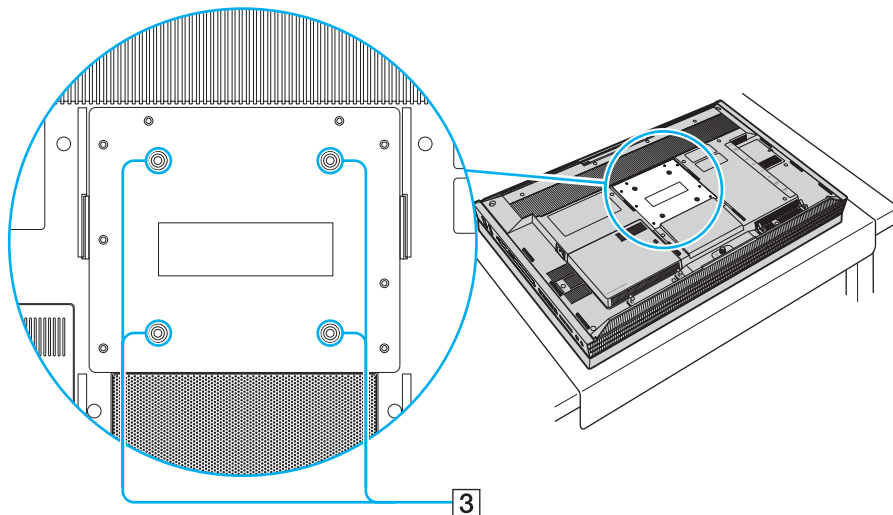
Your computer is equipped with four holes on its back panel, which look similar to those compliant with the Video Electronics Standards Association (VESA) mounting standard, for connecting to your mounting system.

To reveal the mounting holes

- 1 Remove the back panel cover from the computer.
See **Removing and Replacing the Back Panel Cover** ([page 22](#)) for the procedure.
- 2 Unscrew the eight screws (1) and remove the base stand (2).




- 3 Use the four holes (3) for mounting by following the instructions described in the manual that came with your mounting system.



Shutting Down Your Computer Safely

To avoid losing unsaved data, be sure to shut down your computer properly, as described below.

To shut down your computer

- 1 Turn off any peripherals connected to the computer.
- 2 Click **Start**, the arrow  next to the **Lock** button, and then **Shut Down**.
- 3 Respond to any prompts warning you to save documents or to consider other users and wait for the computer to turn off automatically.
The power indicator light turns off.

Using Your VAIO Computer

This section describes how to get the most out of using your VAIO computer.

- ❑ **Using the Keyboard** ([page 39](#))
- ❑ **Using the Touch Pad** ([page 43](#))
- ❑ **Using the Mouse** ([page 44](#))
- ❑ **Using the Optical Disc Drive** ([page 47](#))
- ❑ **Using the TV Function** ([page 57](#))
- ❑ **Using the HDMI Input Function** ([page 66](#))
- ❑ **Using the ExpressCard Module** ([page 72](#))
- ❑ **Using the Memory Stick** ([page 76](#))
- ❑ **Using the SD Memory Card** ([page 82](#))
- ❑ **Using the CF Memory Card** ([page 85](#))
- ❑ **Using the Internet** ([page 89](#))
- ❑ **Using the Network (LAN)** ([page 90](#))
- ❑ **Using the Wireless LAN (WLAN)** ([page 92](#))
- ❑ **Using the Bluetooth Function** ([page 99](#))

Using the Keyboard

A wireless keyboard is supplied with your computer.

The wireless keyboard uses a standard key arrangement with additional keys that perform specific functions.

The VAIO-Link Web site (<http://www.vaio-link.com>) also contains glossary information to help you use the keyboard.

Using the Wireless Keyboard

!
To maintain good communication, operate the wireless keyboard within the distance limitations of keyboard: 10 m from your computer.

Confirm that the supplied AA batteries are properly installed.

Press the **CONNECT** button located on the right of your computer first, and then press the **CONNECT** button on the bottom of the wireless keyboard.

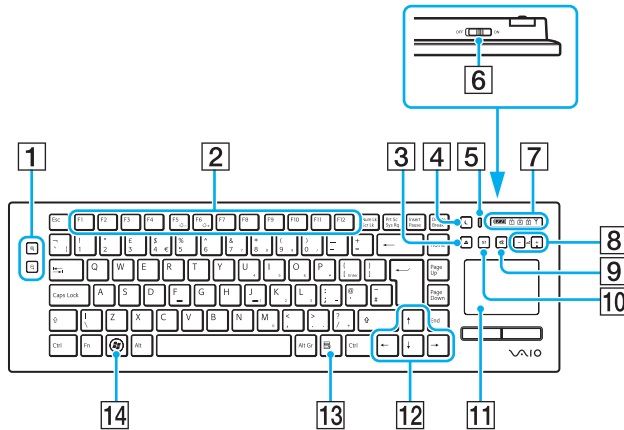
If you find your keyboard not working after replacing the keyboard batteries, reconnect the keyboard. See **Connecting the Wireless Keyboard (page 29)** for the detailed procedure.

Avoid using any wireless devices that exchange radio signals on the 2.4 GHz frequency band near the wireless keyboard. These devices may cause interference, causing the keyboard to stop working properly.

Do not place metal furniture or objects near your computer or wireless keyboard, as this may create interference, causing the keyboard to stop working properly.

Do not mix old (used) and new batteries when replacing batteries in the wireless keyboard. Always use the same type and manufacture of the battery.




Do not mix alkaline with manganese batteries. Using incompatible batteries or mixing used, new or different types of batteries can damage the wireless keyboard.

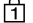



Illustrated above is the English keyboard as an example.


- 1** Zoom buttons
Changes the size of an image or a document displayed on some software.
Press to make the view look smaller and further away (zoom out).
Press to make the view look bigger and closer (zoom in).
See the help file included with the **VAIO Control Center** for more information.
 - 2** Function keys
Perform certain tasks. The task associated with each function key varies among software applications except the following combinations with the **Fn** key to change the LCD brightness of your computer screen.
Fn+F5: Decreases lighting intensity of the LCD screen.
Fn+F6: Increases lighting intensity of the LCD screen.
- !** When the HDMI input is selected, you cannot use the function keys on the wireless keyboard to change the LCD brightness. To change the brightness for the HDMI input, see **Using the HDMI Input Control Buttons (page 67)** for the procedure.
- 3** Disc drive eject button
Ejects the optical disc from the drive.
 - 4** Sleep button
Provides a lower level of power consumption.
For details on power management, see **Using the Power Saving Mode (page 128)**.
 - 5** Power indicator
A green bar appears when the power switch is turned on.
 - 6** Power switch
Slide the switch to turn the wireless keyboard on and off.


7 Indicators

 (Battery):  turns on while the AA batteries for the wireless keyboard are sufficient and switches to  when the batteries wear out.

 (Num lock): Turns on while in the Num Lock state.

 (Caps lock): Turns on while in the Caps Lock state.

 (Scroll lock): Turns on while in the Scroll Lock state.

 (Connect): Turns on while connection between the computer and the wireless keyboard is in place to indicate that the keyboard is ready for use ([page 29](#)).

8 Volume control buttons

Increase (+) or decrease (-) the volume.

! When the HDMI input is selected, you cannot use the volume control buttons on the wireless keyboard to change the volume. To change the volume for the HDMI input, see **Using the HDMI Input Control Buttons** ([page 67](#)) for the procedure.

9 Muting button

Turns the volume on and off.

10 S1 button

Opens the **Start** menu of the **Windows Media Center** by default.



The default **S1** button assignment may be different from the above. In such a case, you can change the assignment with the **VAIO Control Center**. See **Setting Up Your Computer with the VAIO Control Center** ([page 127](#)) and find out more in its help file.

11 Touch pad

See **Using the Touch Pad** ([page 43](#)) for more information.

12 Directional arrow keys

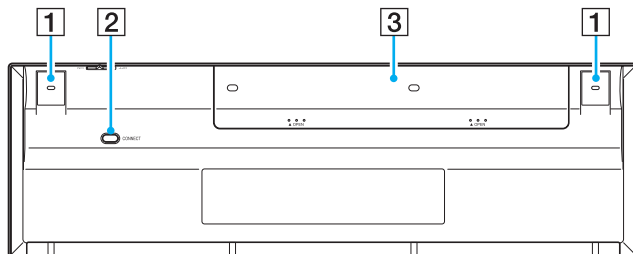
Move the pointer on the computer screen.

13 Applications key

Displays a shortcut menu in certain software applications.

14 Windows key

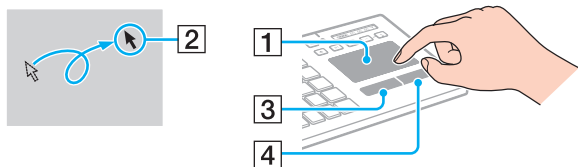
Displays the **Start** menu.



- 1** Keyboard feet
Flip open to adjust the keyboard angle.
- 2** **CONNECT** button ([page 29](#))
Press to enable the wireless keyboard to communicate with the computer.
- 3** Battery compartment
Storage compartment for the AA batteries.

Using the Touch Pad

You can point to, select, drag, and scroll objects on the screen using the touch pad.



Action	Description
Point	Slide your finger on the touch pad (1) to place the pointer (2) on an item or object.
Click	Press the left button (3) once.
Double-click	Press the left button twice.
Right-click	Press the right button (4) once. In many applications, this action displays a shortcut menu.
Drag	Slide your finger on the touch pad while pressing the left button.
Scroll	Slide your finger along the right edge of the touch pad to scroll vertically. Slide your finger along the bottom edge to scroll horizontally (the scroll function is available only with applications that support a touch pad scroll feature).



You can disable/enable the touch pad with the **Fn+F11** keys while a mouse is connected to your computer. To change other touch pad settings, click **Start, All Programs, VAIO Control Center, Keyboard and Mouse** and **Pointing Device**.

You can disable/enable the Motion Pointer feature with the **Fn+F1** keys that keeps moving the pointer or scrolling when your fingertip reached an edge of the touch pad.

If pointer movement or scrolling continues against your intention, your fingertip may have reached an edge of the touch pad. In such a case, take your finger off the touch pad. It is recommended that you put your finger on the touch pad around its center to start an operation.

Using the Mouse

A wireless mouse is supplied with your computer.

Using the Wireless Mouse

The wireless optical mouse has no cables to plug in and uses a light-emitting diode (LED) instead of a ball.

! To maintain good communication, operate the wireless mouse within the distance limitations of mouse: 10 m from your computer.

Confirm that the supplied AA batteries are properly installed.

Press the **CONNECT** button located on the right of your computer first, and then press the **CONNECT** button on the bottom of the wireless mouse.

If you find your mouse not working after replacing the mouse batteries, reconnect the mouse. See **Connecting the Wireless Mouse (page 31)** for the detailed procedure.

Avoid using any wireless devices that exchange radio signals on the 2.4 GHz frequency band near the wireless mouse. These devices may cause interference, causing the mouse to stop working properly.

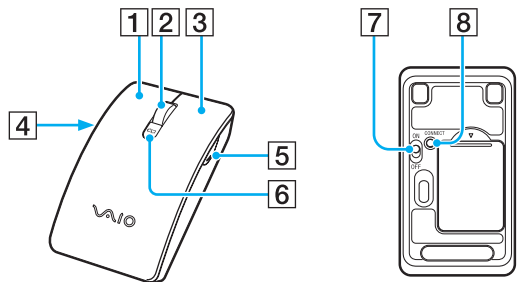
Use surfaces such as plain paper, card stock, or fabric that have minimal repetitive patterns.

Avoid using the wireless mouse on surfaces such as mirrors, smooth glass, or magazines that have half- tone printing.

Do not place metal furniture near your computer or wireless mouse, as this may create interference, causing the mouse to stop working properly.

Do not mix old (used) and new batteries when replacing batteries in the wireless mouse. Always use the same type and manufacture of the battery.

Do not mix alkaline with manganese batteries. Using incompatible batteries or mixing used, new or different types of batteries can damage the wireless mouse.



- 1** Left button
Click or double-click the left button to select items. To drag and drop items, hold the left button down while sliding the mouse, then release the button to drop the item.
- 2** Central wheel
Rotate the central wheel to scroll up or down a page. Press the wheel once to lock the scroll action and control the movement by moving the entire mouse (the scroll function is available only with applications that support it).
- 3** Right button
Press the right button once to display a context-sensitive shortcut menu (if any).
- 4** Left side button
Press the left side button to go back to the previous page. Pressing it works in the same way as pressing the back button on the **Internet Explorer**. To change the button assignment, press and hold the central wheel.
- 5** Right side button
Press the right side button to go forward to the page you viewed before. Pressing it works in the same way as pressing the forward button on the **Internet Explorer**. To change the button assignment, press and hold the central wheel.
- 6** Battery indicator
Blinks when the mouse batteries are running out of power.
- 7** Power switch
Slide the switch to turn the mouse on and off.
- 8** **CONNECT** button ([page 31](#))
Press to enable communication between the computer and the wireless mouse.

Adjusting the Mouse Functions

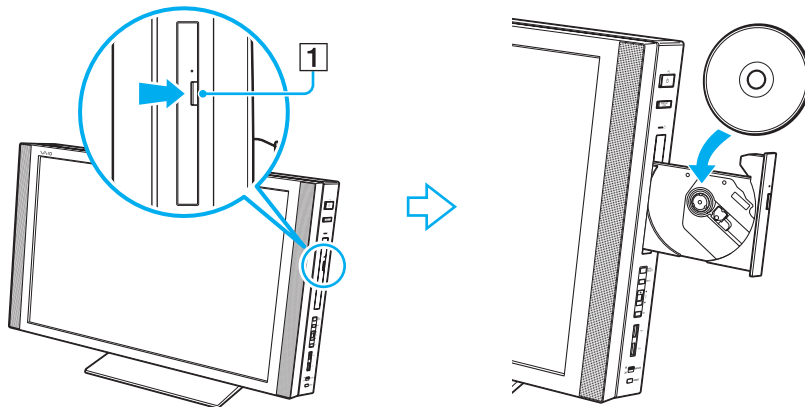
- 1 Click **Start** and **Control Panel**.
- 2 Click **Mouse** under **Hardware and Sound**.
The **Mouse Properties** window appears.
- 3 Change the settings.

Using the Optical Disc Drive

Your computer is equipped with an optical disc drive.

To insert a disc

- 1 Turn on the computer.
- 2 Press the drive eject button (1) or the disc drive eject button on the wireless keyboard to open the drive. The drive tray slides out.
- 3 Hold the back of the drive tray with one hand, place a disc in the middle of the drive tray with the label side facing toward you, and gently push it toward the drive tray until the disc clicks into place.



! Do not exert pressure on the drive tray. Be sure to hold the back of the drive tray when placing/removing a disc onto/from the drive tray.

- 4 Close the drive tray by pushing it in gently.

! Do not remove the optical disc when your computer is in Sleep mode. Doing so may cause the computer to malfunction.



If you use an external optical disc drive, connect the drive before you launch any preinstalled disc operation program.

Reading and Writing Optical Discs

Your computer plays and records CDs, DVDs, and Blu-ray Disc™ media, depending on the model you purchased. Check your specifications for the type of optical disc drive installed on your model.

Use the table below to see which types of media your optical disc drive supports.

PR: playable and recordable
 P: playable but not recordable
 -: not playable or recordable

	CD-ROM	Video CD	Music CD	CD Extra	CD-R/RW	DVD-ROM	DVD-Video	BD-ROM	DVD-R/RW	DVD+R/RW	DVD+R DL	DVD-R DL	DVD-RAM	BD-R ^{*8} /RE ^{*9}
DVD±RW/±R DL/RAM	P	P	P	P	PR	P	P	-	PR ^{*1} *2	PR	PR ^{*5}	PR ^{*6}	PR ^{*3} *4	-
Blu-ray Disc Combo	P	P	P	P	PR	P	P	P	PR ^{*1} *2	PR	PR ^{*5}	PR ^{*6}	PR ^{*3} *4	P
Blu-ray Disc	P	P	P	P	PR	P	P	P	PR ^{*1} *2	PR	PR ^{*5}	PR ^{*6}	PR ^{*3} *4	PR ^{*7} *10

*1 Supports writing data to DVD-R discs compliant with DVD-R for General Version 2.0/2.1.

*2 Supports writing data to DVD-RW discs compliant with DVD-RW Version 1.1/1.2.

*3 The DVD±RW/RAM disc drive on your computer does not support the DVD-RAM cartridge. Use non-cartridge discs or discs with a removable cartridge.

*4 Writing data to single-sided DVD-RAM discs (2.6 GB) compliant with DVD-RAM Version 1.0 is not supported. DVD-RAM Version 2.2/12X-SPEED DVD-RAM Revision 5.0 disc is not supported.

*5 Writing data to DVD+R DL (Double Layer) discs is available only on discs supporting DVD+R DL (Double Layer) recording.

*6 Writing data to DVD-R DL (Dual Layer) discs is available only on discs supporting DVD-R DL (Dual Layer) recording.

*7 Supports writing data to BD-R Version 1.1 discs (single-layer discs with the capacity of 25 GB, dual-layer discs with the capacity of 50 GB) and BD-RE Version 2.1 discs (single-layer discs with the capacity of 25 GB, dual-layer discs with the capacity of 50 GB).

*8 BD-R stands for Blu-ray Disc-Recordable in Version 1.1 format.

*9 BD-RE stands for Blu-ray Disc-Rewritable in Version 2.1 format.

*10 The Blu-ray Disc drive on your computer does not support BD-RE Disc media in Version 1.0 format and Blu-ray Disc media with a cartridge.

! This product is designed to play back discs that conform to the Compact Disc Digital Audio standard specifications (CD Standard). A DualDisc is a two sided disc product with a DVD recorded layer on one side and a digital audio layer on the other side. Be aware that the audio side (non-DVD side) of a DualDisc may not play on this product because it does not conform to the CD Standard.

When you buy pre-recorded or blank discs for use with your VAIO computer, be sure to read the notices on the disc package carefully to check both playback and recording compatibility with your computer's optical disc drives. Sony does NOT guarantee the compatibility of VAIO optical disc drives with discs that are not compliant with the official "CD," "DVD," or "Blu-ray Disc" standard. USING NON-COMPLIANT DISCS CAN CAUSE FATAL DAMAGE TO YOUR VAIO PC OR CREATE SOFTWARE CONFLICTS AND CAUSE SYSTEM HANGING.

For inquiries about disc formats, contact the individual publisher of the pre-recorded disc or the manufacturer of the recordable disc.



8 cm disc writing is not supported.

! To play copyright protected Blu-ray Disc media continuously, update the AACS key. The AACS key update requires Internet access.

As with other optical media devices, circumstances may limit compatibility or prevent Blu-ray Disc media playback. VAIO computers may not support movie playback on packaged media recorded in AVC or VC1 format at high bit rates.

Region settings are required for some contents on DVDs and BD-ROM Disc media. If the region setting on the optical disc drive does not match the region coding on the disc, playback is not possible.

Some contents may restrict video output to standard definition or prohibit analog video output. It is strongly recommended that a digital HDCP-compliant environment be implemented for optimum compatibility and viewing quality.

Do not use memory-resident utility software while the optical disc drive is playing a disc or writing data to a disc. This may cause your computer to malfunction.

Notes on writing data to a disc

- ❑ Only use circular discs. Do not use discs in any other shape (star, heart, card, etc.), as this may damage the optical disc drive.
- ❑ Do not strike or shake your computer while the optical disc drive is writing data to a disc.
- ❑ Do not plug or unplug the power cord while the optical disc drive is writing data to a disc.

Notes on playing discs

To achieve optimum performance when playing discs, you should follow these recommendations.

- ❑ Some CD players and computer optical disc drives may not be able to play audio CDs created with the CD-R or CD-RW media.
- ❑ Some DVD players and computer optical disc drives may not be able to play DVDs created with the DVD+R DL, DVD-R DL, DVD+R, DVD+RW, DVD-R, DVD-RW, or DVD-RAM media.
- ❑ You may not be able to play some of Blu-ray Disc contents on your computer, or the computer may become unstable during Blu-ray Disc playback. To play such contents normally, download and install the latest updates for the **WinDVD BD** using the **VAIO Update**.
To download and install the updates on the computer, it must be connected to the Internet. For information on how to connect the computer to the Internet, see **Using the Internet (page 89)**.
- ❑ Depending on system environment, you may find sound interruptions and/or dropped frames during AVC HD playback.
- ❑ Do not place your computer into the power saving mode while your computer is playing a disc.

- ❑ Region code indicators are labeled on the discs or packages to indicate in which region and on what type of player you can play the disc. Unless the region code indicates "2" (Europe belongs to region "2"), "5" (Russia belongs to region "5"), or "all" (this means that you can play this disc in most regions of the world), you cannot play the disc on your computer.

!

If you change the region code while the **WinDVD** or **WinDVD BD** software is running, restart the software or eject the disc and re-insert it to make the new setting effective.

- ❑ Do not try to change the region code settings of the drive. Any difficulties caused by changing the region code settings of the drive are not covered by the warranty.

Playing CDs

To play an audio CD

- 1 Insert a disc into the optical disc drive.
- 2 If nothing appears on the desktop, click **Start, All Programs**, and the desired CD software to play the CD.
If the **Audio CD** window appears, click to select an option.

Copying Files to CDs

To copy files to a disc

- 1 Insert a recordable disc into the optical disc drive.
If the **AutoPlay** window appears, click **Burn files to disc** and follow the on-screen instructions until the empty disc folder appears.
- 2 Open the folder that contains the file(s) you want to copy and drag them to the empty disc folder.
- 3 Close the disc folder.

Playing DVDs

To play a DVD

- 1 Close all running software applications.
- 2 Insert a DVD into the optical disc drive.
- 3 If nothing appears on the desktop, click **Start, All Programs**, and the desired DVD software to play the DVD.

For instructions on how to use the software, see the help file included with your DVD software.

Copying Files to DVDs

To copy files to a disc

- 1 Close all running software applications.
- 2 Insert a recordable disc into the optical disc drive.
- 3 If nothing appears on the desktop, click **Start, All Programs**, and the desired DVD burning software to copy files to the disc.

For instructions on how to use the software, see the help file included with your DVD burning software.

Playing Blu-ray Disc Media

To play a Blu-ray Disc media

- 1 Close all running software applications.
- 2 Insert a Blu-ray Disc media into the optical disc drive.
- 3 If nothing appears on the desktop, click **Start, All Programs**, and the desired Blu-ray Disc software to play the disc.

For instructions on how to use the software, see the help file included with your software.

Copying Files to Blu-ray Disc Media

To copy files to a Blu-ray Disc media

- 1 Close all running software applications.
- 2 Insert a recordable Blu-ray Disc media into the optical disc drive.
- 3 If nothing appears on the desktop, click **Start, All Programs**, and the desired Blu-ray Disc burning software to copy files to the disc.

For instructions on how to use the software, see the help file included with your Blu-ray Disc burning software.

Using the TV Function

Your computer may have a dual DVB-T TV tuner board or a hybrid TV tuner board installed. The **Windows Media Center** included in the **Microsoft Windows Vista Ultimate** operating system enables TV program viewing, recording and playback. See the online specifications to find out about your TV tuner board configuration.

- ❑ The dual DVB-T TV-tuner supports the following broadcasts:
 - ❑ Digital terrestrial TV (DVB-T):
System: DVB-T
Video system: MPEG2*
Frequency band: 48.25 MHz - 855.25 MHz
- ❑ The hybrid TV-tuner supports the following broadcasts:
 - ❑ Analog cable and terrestrial TV:
Systems: B/G/I/D/K/L/L'
Color systems: PAL and SECAM
Frequency band: 48.25 MHz - 855.25 MHz
 - ❑ Digital terrestrial TV (DVB-T):
System: DVB-T
Video system: MPEG2*
Frequency band: 48.25 MHz - 855.25 MHz



Any functions related to digital terrestrial television (DVB-T) will only work in countries or areas where free-to-air DVB-T MPEG2* digital terrestrial TV signals are broadcasted. Make sure you can receive a free-to-air DVB-T MPEG2* signal where you live.



On models with a dual DVB-T TV tuner board, you can record up to two digital channels at the same time, or watch a TV program while recording another.

* MPEG4/H.264 AVC also applies to French models sold in France when using the **TV Enhance pour VAIO**. See **Setting up TV Enhance pour VAIO (page 65)** for more information.

To connect your computer to land-based (terrestrial) or cable TV services

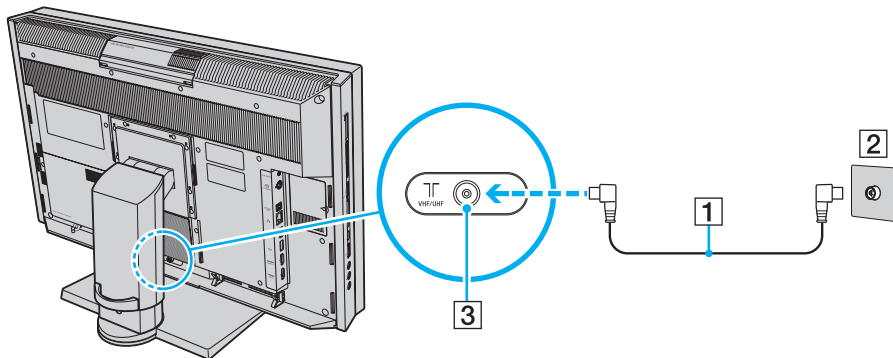


You need to remove the back panel cover from the computer before setting up TV connections. See **Removing and Replacing the Back Panel Cover** (page 22) for the procedure.



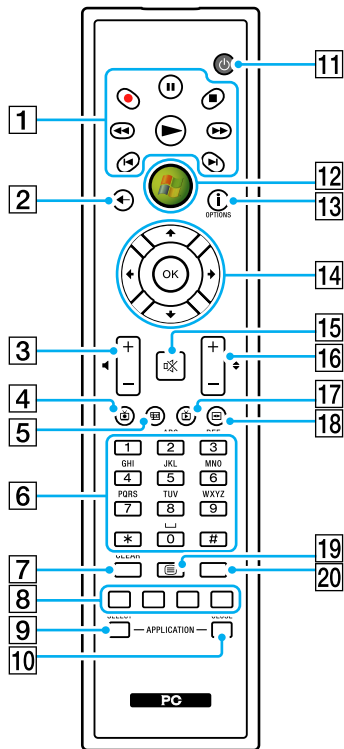
The appearance of the antenna/cable-TV cable and the **VHF/UHF** input port may vary in some countries or areas.

- 1 Connect one end of an antenna/cable-TV cable (supplied) (1) to the **VHF/UHF** input port (3) on the computer.
- 2 Connect the other end of the cable to your TV wall outlet/cable service access (2).



Using the Remote Commander

A remote commander is supplied with your computer for using a wide variety of AV related software applications, including the **Windows Media Center**.



Illustrated above is the English remote commander as an example.

- 1** Pause **||** button
Press to pause media playback. Press again to resume playback.
Stop **■** button
Press to stop media playback or TV recording session.
Forward **▶▶** button
Press to fast-forward media at three speeds.
Skip **▶I** button
Press to move media forward, for example, one audio track, one DVD chapter, and 30 seconds of recorded TV or video.
Replay **I◀** button
Press to move media backward, for example, one audio track, one DVD chapter, and 7 seconds of TV or video.
Rewind **◀◀** button
Press to move media backward at three speeds.
Record **●** button
Press to begin recording.
Play **▶** button
Press to begin media playback.
 - 2** Back button
Press to return to the previous window.
 - 3** Volume control buttons
Press to increase (+) or decrease (-) the volume.
- !** When the HDMI input is selected, you cannot use the volume control buttons on the remote commander to change the volume. To change the volume for the HDMI input, see **Using the HDMI Input Control Buttons (page 67)** for the procedure.
- 4** Recorded TV button
Press to view previously recorded TV programs.

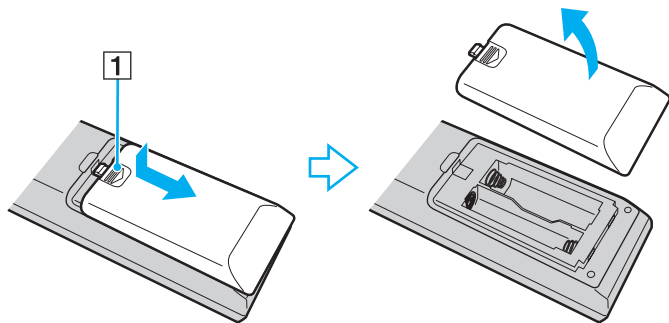
- 5** Guide button
Press to view the TV program guide for your area.
- 6** Alphanumeric buttons
Press to select specific channels or enter text. (Press **ENTER** or **OK** to activate the channel selection.)
- 7** **CLEAR** button
Press to backspace and delete entered text.
- 8** Teletext TV program mode buttons
 - Red button
Press to jump to the red shortcut link in teletext TV program mode.
 - Green button
Press to jump to the green shortcut link in teletext TV program mode.
 - Yellow button
Press to jump to the yellow shortcut link in teletext TV program mode.
 - Blue button
Press to jump to the blue shortcut link in teletext TV program mode.
- 9** **APPLICATION SELECT** button
Press to switch among open applications. This button works the same as the **Alt+Tab** keys.
- 10** **APPLICATION CLOSE** button
Press to close the active application window.
- 11** Sleep button
Press to place the computer into Sleep mode to reduce power consumption.
- 12** Start button
Press to open the **Start** menu of the **Windows Media Center**.
- 13** More button / **OPTIONS** button
Press to view additional options that are available for features on software applications, such as the **Windows Media Center**.
- 14** Directional arrow buttons
Press the **↑**, **↓**, **←**, and **→** buttons to move the pointer on the screen.
OK button
Press to select the desired action or window option. When watching full-screen TV, press to return to the previous channel. Press again to switch between channels.
- 15** Muting button
Press to turn off the sound. Press again to restore the sound.
- 16** Channel/Page buttons
Press to change or page up/down channels (no number input required).
- 17** Live TV button
Press to view TV programs.
- 18** DVD menu button / **MENU** button
Press to open the main menu on the playback media, such as a DVD media.
- 19** Teletext TV program mode selection button
Press to activate/deactivate teletext TV program mode.
- 20** **ENTER** button
Press to activate a feature or an action, such as channel selection or a return to the previous channel. (This button's actions are similar to using the **OK** button.)

Before you use the remote commander

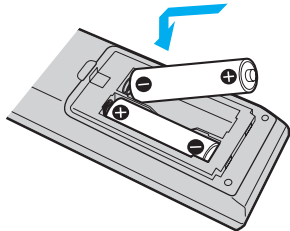
Before using the remote commander, you need to insert the supplied AA manganese batteries to enable communication between the computer and the remote commander.

To insert batteries

- 1 Turn the remote commander over.
- 2 Slightly push down the dented area (1), slide the battery cover in the direction of the arrow, and remove the cover.



- 3 Insert the supplied two AA batteries into the remote commander.



- 4 Put the battery cover back on the remote commander and slide it in the reverse direction of the arrow illustrated above until the cover clicks into place.



If the remote commander does not operate properly, you may need to replace the batteries. When the remote commander is not going to be used for an extended period of time, remove the batteries to avoid possible damage from battery leakage.

Setting up the Windows Media Center

The first time you launch the **Windows Media Center**, the setup wizard will pop up. To configure the TV tuner, click **Custom setup** and follow the on-screen instructions. In the **Optional Setup** window, click **Configure tuners, TV signal, and Guide** and follow the on-screen instructions.

In case the TV tuner was not configured during the first run of the **Windows Media Center**, you can do this by selecting **set up TV** in the **TV + Movies** section.

When you want to change TV input signal (TV Signal or TV Signal Type) or change location, click **settings** in the **Tasks** section and then click **TV**.

In this case, a new channel scan needs to be done and that the previous channel list and **Guide** information is lost and that scheduled timer recordings are cancelled.



On models with a dual DVB-T TV tuner board, you can record up to two digital channels at the same time, or watch a TV program while recording another.

Setting up TV Enhance pour VAIO

The **TV Enhance pour VAIO** is available on French models sold in France only.

The **TV Enhance pour VAIO** allows you to watch and record free-to-air standard definition and high definition digital terrestrial TV, improving your multimedia experience.

To launch the application, start the **Windows Media Center** and go to **TNT** and select:

- TV en direct:** to start watching live TV.
- TV enregistrée:** to access your TV recordings.
- Guide:** to consult the electronic program guide.
- TV + menu:** to watch live TV and have easy access to settings.

The first time you launch the **TV Enhance pour VAIO**, the setup wizard will pop up. Follow the on-screen instructions to configure the application.

When you want to re-scan channels or to change location, go to the **Menu** and **Paramètres**, and then click **Paramètres signal** or **Rechercher les chaînes**. See the help file included with the software for more information.



On models with a dual DVB-T TV tuner board, you can record up to two digital channels at the same time, or watch a TV program while recording another.

The supplied remote commander can also be used in the **TV Enhance pour VAIO** but the following buttons are reserved for the **Windows Media Center**: Live TV, Recorded TV, Guide, DVD and More.

Using the HDMI Input Function

Your computer is equipped with an **HDMI INPUT** port that enables you to connect a device with the HDMI output port, such as a hard disk drive recorder and a video game player, to the computer. With the HDMI Input function, the computer can receive the high-definition video and sound outputs from the connected device and you can view and hear them on the computer without turning on your computer and starting Windows.





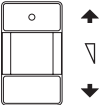

You cannot record the HDMI input, such as a TV program, displayed on your computer or control the **Windows Media Center** with the HDMI Input function.



To customize the display settings for the HDMI input, change with the OSD menu. See **Changing the Display and Sound Settings for the HDMI Input (page 70)** for the procedure.

Using the HDMI Input Control Buttons

The HDMI input control buttons allow you to switch the display and sound input between the computer input and the HDMI input from the connected device and change the display and sound settings for the HDMI input.

HDMI input control buttons	Functions
HDMI SELECT button 	Toggles the display and sound input between the computer input and the HDMI input from the connected device. When the HDMI input is selected, the HDMI SELECT indicator light (HDMI SELECT button) illuminates in green.
MENU button 	Displays the On-Screen Display (OSD) menu. You can change the display and sound settings for the HDMI input with the OSD menu.
Up/Down buttons 	Increase (▲) or decrease (▼) the volume while the HDMI input is selected. While the OSD menu is displayed, you can use these buttons to select your desired item. ! While the computer input is selected, you cannot use these buttons to change the volume. To change the volume, use the volume control buttons on the wireless keyboard or the supplied remote commander.
OK button 	Confirms your selection.

Connecting and Using the HDMI-Compatible Device

You need to connect the HDMI-compatible device to your computer with an HDMI cable to display the HDMI input from the device on the computer.



Be sure to use an HDMI cable approved by HDMI Licensing, LLC.

To connect your computer to the HDMI-compatible device



You need to remove the back panel cover from the computer before setting up the HDMI connection. See **Removing and Replacing the Back Panel Cover (page 22)** for the procedure. For information on how to connect cables to the computer, see **Connecting a Power Source and Cables (page 24)**.

If you enable the Auto Input Sensing feature with the OSD menu, turning on the connected device will automatically select the HDMI input. For instructions on how to enable or disable the Auto Input Sensing feature, see **Changing the Display and Sound Settings for the HDMI Input (page 70)**.

- 1 Connect an HDMI cable (not supplied) to the HDMI output port on the device and the other end to the **HDMI INPUT** port on the computer.
- 2 Turn on the connected device.
The **HDMI SELECT** indicator light (**HDMI SELECT** button) illuminates in green. If not, press the **HDMI SELECT** button to switch the display input to the HDMI input.



You do not need to turn on your computer to switch the display input.

To change the HDMI input volume

Press the Up (▲) or the Down (▼) button to increase or decrease the volume.

! While the HDMI input is selected, you can only use the Up/Down buttons to change the volume. You cannot use the volume control buttons on the wireless keyboard or the supplied remote commander to change the volume.

While the computer input is selected, you cannot change the HDMI input volume.

Changing the Display and Sound Settings for the HDMI Input

You can change the display and sound settings for the HDMI input with the OSD menu. The following shows how to change the language mode of the OSD menu, enable or disable the Auto Input Sensing feature, and change the default SONY logo lamp activity while the HDMI input is selected.

! While the HDMI input is selected, you can only use the OSD menu to change the brightness. You cannot use the function keys on the wireless keyboard to change the brightness.

To select the language mode of the OSD menu

- 1 Press the **MENU** button to display the OSD menu.
- 2 Press the Up (▲) or Down (▼) button to select **OPTION** and then the **OK** button.
- 3 Press the Up (▲) or Down (▼) button to select **LANGUAGE** and then the **OK** button.
- 4 Press the Up (▲) or Down (▼) button to select the desired language and then the **OK** button.

To enable or disable the Auto Input Sensing feature



The Auto Input Sensing feature is disabled by default.

- 1 Press the **MENU** button to display the OSD menu.
- 2 Press the Up (▲) or Down (▼) button to select **OPTION** and then the **OK** button.
- 3 Press the Up (▲) or Down (▼) button to select **INPUT SENSING** and then the **OK** button.
- 4 To enable the feature, press the Up (▲) or Down (▼) button to select **AUTO ON** and then the **OK** button.
To disable the feature, press either button to select **AUTO OFF (Normal)** or **AUTO OFF (Power Save)** and then the **OK** button.



Selecting **AUTO OFF (Power Save)** reduces power consumption. However, it requires more time than **AUTO OFF (Normal)** to resume power to your computer when the connected HDMI device is off and your computer is off or in a power saving mode.

To change the default SONY logo lamp activity



You cannot change this option while the computer input is selected. To change the settings for the computer mode, see **Changing the default SONY logo lamp activity (page 127)** for the procedure.

- 1 Press the **MENU** button to display the OSD menu.
- 2 Press the Up (▲) or Down (▼) button to select **OPTION** and then the **OK** button.
- 3 Press the Up (▲) or Down (▼) button to select **LOGO LAMP** and then the **OK** button.
- 4 Press the Up (▲) or Down (▼) button to select **ON** or **OFF** and then the **OK** button.

Using the ExpressCard Module

Your computer is equipped with an ExpressCard/34 slot* for transferring data among digital cameras, camcorders, music players, and other audio/video devices. This slot can only accommodate an ExpressCard/34 (34 mm wide) module*.

* Referred to as the ExpressCard slot and the ExpressCard module in this manual.

Inserting an ExpressCard Module

! Your computer is supplied with a slot protector in the ExpressCard slot. Remove the slot protector before you use the slot.

Use care when inserting or removing the ExpressCard module from the slot. Do not force it in or out of the slot.



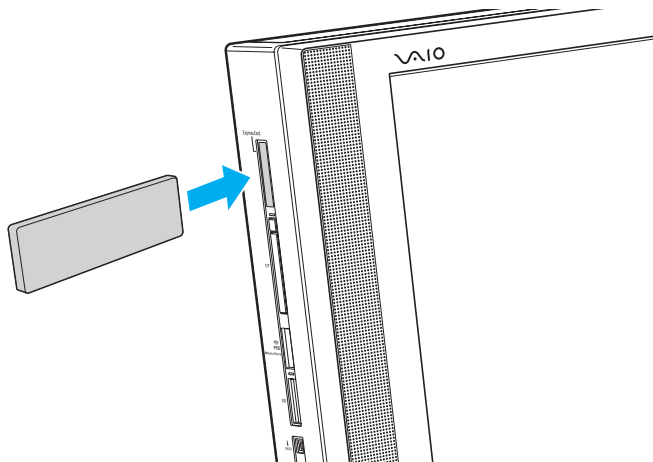
You do not need to shut down your computer before inserting or removing the ExpressCard module.

To insert an ExpressCard module

- 1 Locate the ExpressCard slot ([page 20](#)).
- 2 Push the ExpressCard slot protector so that the protector pops out.
- 3 Gently take hold of the ExpressCard slot protector and pull it out of the slot.
- 4 Carefully slide the ExpressCard module into the slot until it clicks into place.

! Make sure that the arrow on the ExpressCard module is facing toward you and pointing toward the ExpressCard slot.

Do not force the ExpressCard module into the slot.



If the module does not go into the slot easily, remove it gently and verify you are inserting it in the proper direction.

Make sure you use the most recent software driver provided by the ExpressCard module manufacturer.

Removing an ExpressCard Module

! Insert the ExpressCard slot protector to block any particles from entering the slot when not using an ExpressCard module. Before moving your computer, be sure to insert the ExpressCard slot protector into the slot.

Follow the steps below to remove the ExpressCard module while your computer is on. If it is not removed properly, your system may not work properly.

To remove an ExpressCard module



To remove an ExpressCard module when your computer is off, skip steps 1 to 4.

- 1 Double-click the **Safely Remove Hardware** icon on the taskbar.
- 2 Select the hardware you want to unplug.
- 3 Click **Stop**.
- 4 Follow the on-screen instructions to remove the ExpressCard module.
- 5 Push in the ExpressCard module toward the computer so that the module pops out.
- 6 Gently take hold of the ExpressCard module and pull it out of the slot.

Using the Memory Stick

The Memory Stick is a compact, portable, and versatile IC recording media especially designed for exchanging and sharing digital data with compatible products, such as digital cameras, mobile phones, and other devices. Because it is removable, it can be used for external data storage.

Before You Use the Memory Stick

The Memory Stick slot on your computer can accommodate both standard- and Duo-size media and supports Memory Stick PRO, Memory Stick PRO Duo, and Memory Stick PRO-HG Duo with high-speed data transfer and large data capacity capabilities.



You can insert a Duo-size Memory Stick directly into the Memory Stick slot without using a Memory Stick Duo adaptor.



Before using a Memory Stick Micro (M2), be sure to insert it into an M2 Standard-size adaptor or M2 Duo adaptor. If you insert the media directly into the Memory Stick slot without the adaptor, you may not be able to remove it from the slot.

For the latest information about the Memory Stick, visit the Memory Stick web site at <http://www.memorystick.com/en/>.



Your computer has been tested and found compatible with Sony branded Memory Stick with capacity of up to 16 GB that are available as of September 2008. However, not all the Memory Stick that meet the same specifications as the compatible media are guaranteed of compatibility.

Inserting a Memory Stick with multiple conversion adaptors is not guaranteed of compatibility.

MagicGate is the general name of the copyright protection technology developed by Sony. Use a Memory Stick with the MagicGate logo to use this feature.

Except for your personal use, it is against the copyright law to use any audio and/or image data you recorded without prior consent from the respective copyright holders. Accordingly, the Memory Stick with such copyrighted data can be used only within the law.

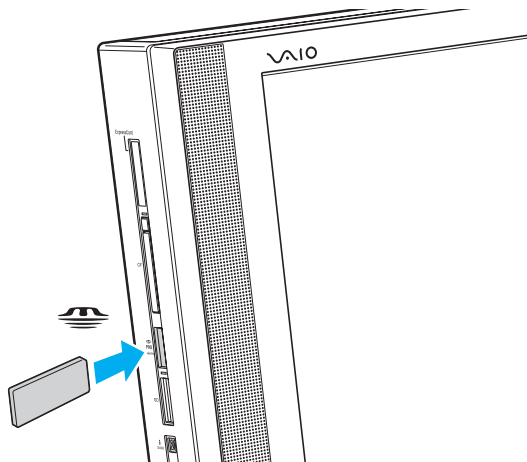
The Memory Stick slot on your computer does not support 8-bit parallel data transfer (high-speed data transfer).

The Memory Stick Micro in an M2 Duo adaptor may not operate properly if it is additionally inserted into a Memory Stick Duo adaptor.

Inserting a Memory Stick

To insert a Memory Stick

- 1 Locate the Memory Stick slot ([page 20](#)).
- 2 Hold the Memory Stick with the arrow pointing toward the slot.
- 3 Carefully slide the Memory Stick into the slot until it clicks into place.
The Memory Stick is automatically detected by your system and the contents on the Memory Stick are displayed. If nothing appears on the desktop, click **Start, Computer**, and double-click the Memory Stick icon.



! Be sure to hold the Memory Stick with the arrow pointing in the correct direction as you insert it into the slot. To avoid damaging your computer or the media, do not force the Memory Stick into the slot if you cannot insert it smoothly.

Do not insert more than one Memory Stick into the slot. Improper insertion of the media may damage both your computer and the media.

To view the contents on the Memory Stick

- 1 Click **Start** and **Computer** to open the **Computer** window.
- 2 Double-click the Memory Stick icon to view the list of data files saved in the Memory Stick.

To format a Memory Stick

The Memory Stick has been formatted in the factory default setting and is ready for use. If you want to reformat the media with your computer, follow these steps.

! Be sure to use the device that is designed to format the media and supports the Memory Stick when formatting the media.

Formatting the Memory Stick erases the entire data on the media. Before formatting the media, make sure that it does not contain your valuable data.

Do not remove the Memory Stick from the slot while formatting. This could cause a malfunction.

- 1 Carefully slide the Memory Stick into the slot until it clicks into place.
- 2 Click **Start** and **Computer** to open the **Computer** window.
- 3 Right-click the Memory Stick icon and select **Format**.
- 4 Click **Restore device defaults**.

! The size of the allocation unit and file system may change.

Do not select **NTFS** from the **File system** drop-down list as it may cause a malfunction.



The formatting process will be completed more quickly if you select **Quick Format** in **Format options**.

- 5 Click **Start**.
- 6 Follow the on-screen instructions.

! It may take time to format the Memory Stick depending on the media type.

Removing a Memory Stick

! Do not remove the Memory Stick while the Media Access indicator light is lit. If you do, you may lose data. Large volumes of data may take time to load, so make sure the indicator is unlit before removing the Memory Stick.

To remove a Memory Stick

- 1 Check that the Media Access indicator light is unlit.
- 2 Push in the Memory Stick toward the computer and release. The Memory Stick ejects.
- 3 Pull the Memory Stick out of the slot.

! Always remove the Memory Stick gently, or it may pop out unexpectedly.

Using the SD Memory Card

Your computer is equipped with an **SD** memory card slot. You can use this slot to transfer data among digital cameras, camcorders, music players, and other audio/video devices.

Before You Use the SD Memory Card

The **SD** memory card slot on your computer supports the following memory cards:

- SD memory card
- SDHC memory card
- MultiMediaCard (MMC)

For the latest information on compatible memory cards, see **Sony Support Information (page 206)** to visit the appropriate support web site.

!
Your computer has been tested and found compatible only with major memory cards available as of September 2008. However, not all memory cards that meet the same specifications as the compatible media are guaranteed of compatibility.

Always insert the correct memory card into the **SD** memory card slot.

SD memory cards with capacity of up to 2 GB and SDHC memory cards with capacity of up to 32 GB have been tested and found compatible with your computer.

The **SD** memory card slot on your computer does not support the high-speed data transfer feature of the SD memory card and the SDHC memory card.

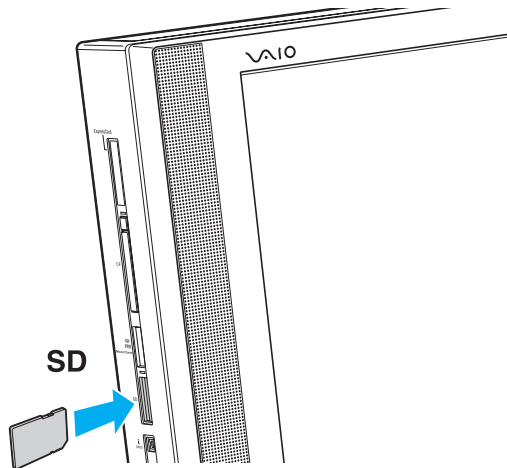
Do not attempt to insert an SD memory card or SD memory card adaptor of a different type into the **SD** memory card slot. An incompatible memory card or memory card adaptor may cause difficulty in removing from the slot and can cause damage to your computer.

Use care when inserting or removing an SD memory card from the **SD** memory card slot. Do not force the SD memory card in or out of the slot.

Inserting an SD Memory Card

To insert an SD memory card

- 1 Locate the **SD** memory card slot ([page 20](#)).
- 2 Hold the SD memory card with the arrow pointing toward the slot.
- 3 Carefully slide the SD memory card into the slot until it clicks into place.
Do not force the card into the slot.



If the SD memory card does not go into the slot easily, remove it gently and verify you are inserting it in the proper direction.

Removing an SD Memory Card

! Do not remove an SD memory card while the Media Access indicator light is lit. If you do, the card or its data may become damaged.

To remove an SD memory card

- 1 Check that the Media Access indicator light is unlit.
- 2 Push in the SD memory card toward the computer and release.
The SD memory card ejects.
- 3 Pull the SD memory card out of the slot.

Using the CF Memory Card

Your computer is equipped with a **CF** memory card slot. You can use this slot to transfer data among digital cameras, camcorders, music players, and other audio/video devices.

! Your computer has been tested and found compatible only with major CF memory cards available as of September 2008. However, not all CF memory cards that meet the same specifications as the compatible media are guaranteed of compatibility.

CF memory cards with capacity of up to 16 GB have been tested and found compatible with your computer.

The **CF** memory card slot on your computer does not support any wireless communication cards.

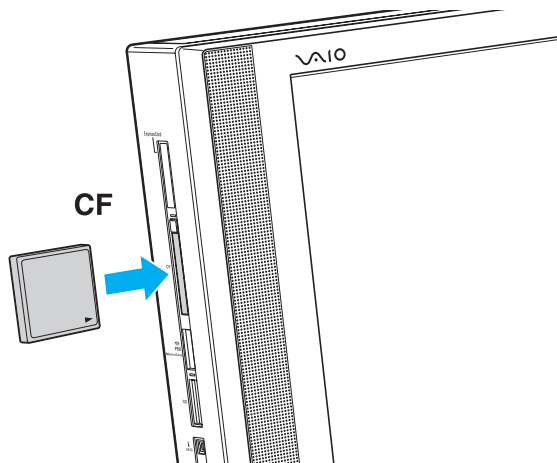
Inserting a CF Memory Card

! Your computer is supplied with a slot protector in the **CF** memory card slot. Remove the slot protector before you use the **CF** memory card slot.

Use care when inserting or removing the CF memory card from the slot. Do not force it in or out of the slot.

To insert a CF memory card

- 1 Locate the **CF** memory card slot ([page 20](#)).
- 2 Push the **CF** memory card release button so that the release button pops out.
- 3 Push the **CF** memory card release button a second time so that the slot protector pops out.
- 4 Gently take hold of the slot protector and pull it out of the slot.
- 5 Hold the CF memory card with the arrow facing toward you and pointing toward the slot.
- 6 Carefully slide the CF memory card into the slot until it clicks into place.
Do not force the card into the slot.



If the memory card does not go into the slot easily, remove it gently and verify you are inserting it in the proper direction.

Removing a CF Memory Card

Follow the steps below to remove the CF memory card while your computer is on. If it is not removed properly, your system may not work properly.

! Do not remove the CF memory card while the **CF** memory card indicator light is lit. If you do, you may lose data. Large volumes of data may take time to load, so make sure the indicator is unlit before removing the CF memory card.

Insert the **CF** memory card slot protector to block any particles from entering the slot when not using an CF memory card. Before moving your computer, be sure to insert the **CF** memory card slot protector into the slot.

To remove a CF memory card

- 1 Check that the **CF** memory card indicator light is unlit.
- 2 Push the **CF** memory card release button so that the release button pops out.
- 3 Push the **CF** memory card release button a second time so that the CF memory card pops out.
- 4 Gently take hold of the CF memory card and pull it out of the slot.
- 5 If the **CF** memory card release button is still out, push it back in all the way to the end.

Using the Internet

Before using the Internet, you need to sign up with an Internet Service Provider (ISP) and set up devices required for connecting your computer to the Internet.

The following types of Internet connection services may be available from your ISP:

- Fiber to the Home (FTTH)
- Digital Subscriber Line (DSL)
- Cable modem
- Satellite
- Dial-up

For detailed information on devices required for the Internet and how to connect your computer to the Internet, ask your ISP.



To connect your computer to the Internet using the wireless LAN function, you need to set up the wireless LAN network. See **Using the Wireless LAN (WLAN)** (page 92) for more information.



When you connect your computer to the Internet, be sure to take appropriate security measures to protect the computer against online threats.

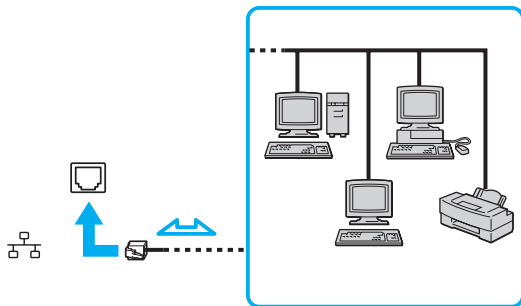
Depending on the service contract with your ISP, you may need to connect an external modem device, for example a USB telephone modem, a DSL modem, or a cable modem, to your computer to connect to the Internet. For the detailed instructions on connection setups and modem configuration, see the manual that came with your modem.

Using the Network (LAN)

You can connect your computer to 1000BASE-T/100BASE-TX/10BASE-T type networks with an Ethernet network cable. Connect one end of a network cable (not supplied) to the network (Ethernet) port on the back of the computer and the other end to your network. For detailed settings and devices needed to connect to the network, ask your network administrator.



You need to remove the back panel cover from the computer to access the network (Ethernet) port. See **Removing and Replacing the Back Panel Cover** (page 22) for the procedure.



Your computer can be connected to the network with the default settings.



Do not plug a telephone cable into the network (Ethernet) port on your computer.

If the network (Ethernet) port is connected to one of the telephone lines mentioned below, high electric current to the port may cause damage, overheating, or fire.

- Home (intercom speakerphone) or business-use telephone lines (multi-line business telephone)
- Public telephone subscriber line
- PBX (private branch exchange)

Using the Wireless LAN (WLAN)

Using the Wireless LAN (WLAN), all your digital devices with the built-in WLAN function communicate freely with each other through a network. A WLAN is a network in which a user can connect to a Local Area Network (LAN) through a wireless (radio) connection. This eliminates the need to pull cables or wires through walls and ceilings.

You can communicate without an access point, which means that you can communicate with a limited number of computers (ad-hoc). Or you can communicate through an access point, which allows you to create a full infrastructure network.



In some countries, using WLAN products may be restricted by the local regulations (e.g. limited number of channels). Therefore, before activating the WLAN function, read the wireless LAN regulations guide carefully.

WLAN uses the IEEE 802.11a^{*}/b/g standard or the IEEE 802.11n^{*} draft standard, which specifies the used technology. The standard includes the encryption methods: Wired Equivalent Privacy (WEP), which is a security protocol, Wi-Fi Protected Access 2 (WPA2), and Wi-Fi Protected Access (WPA). Proposed jointly by the IEEE and Wi-Fi Alliance, both WPA2 and WPA are specifications of standards based on interoperable security enhancements that increase the level of data protection and access control for existing Wi-Fi networks. WPA has been designed to be forward compatible with the IEEE 802.11i specification. It utilizes the enhanced data encryption TKIP (Temporal Key Integrity Protocol) in addition to user authentication using 802.1X and EAP (Extensible Authentication Protocol). Data encryption protects the vulnerable wireless link between clients and access points. Besides that, there are other typical LAN security mechanisms to ensure privacy, such as: password protection, end-to-end encryption, virtual private networks, and authentication. WPA2, the second generation of WPA, provides stronger data protection and network access control and is also designed to secure all versions of 802.11 devices, including 802.11b, 802.11a, 802.11g, and 802.11n draft standard, multi-band and multi-mode. In addition, based on the ratified IEEE 802.11i standard, WPA2 provides government grade security by implementing the National Institute of Standards and Technology (NIST) FIPS 140-2 compliant AES encryption algorithm and 802.1X-based authentication. WPA2 is backward compatible with WPA.

^{*} See the online specifications to find out whether your model supports the IEEE 802.11a standard and/or the IEEE 802.11n draft standard.

The IEEE 802.11b/g standard is a wireless LAN standard, using the 2.4 GHz band. The IEEE 802.11g standard provides high-speed communications, faster than the IEEE 802.11b standard.

The IEEE 802.11a standard is a wireless LAN standard, using the 5 GHz band.

The IEEE 802.11n draft standard is a wireless LAN standard, using the 2.4 GHz or 5 GHz band.

Wireless LAN devices using the 2.4 GHz band cannot communicate with devices using the 5 GHz band because the frequencies are different.

The 2.4 GHz band used by wireless LAN compatible devices is also used by other various devices. Although technologies to minimize interference from other devices that use the same band are employed on wireless LAN compatible devices, such interference may cause lower communication speed, narrower communication range, or broken wireless connections.

The communication speed varies depending on the distance between communication devices, existence of obstacles between such devices, the device configuration, the radio conditions, and the software in use. In addition, communications may be cut off depending on the radio conditions.

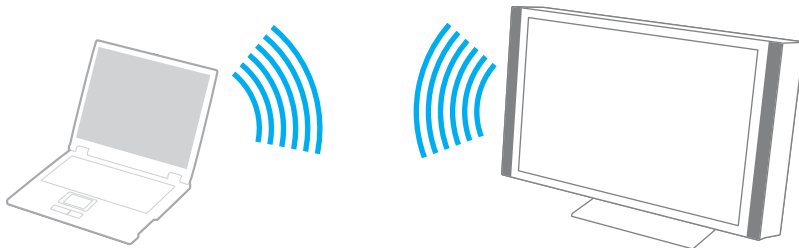
The communication range varies depending on the actual distance between communication devices, existence of obstacles between such devices, the radio conditions, the ambient environment that includes existence of walls and materials of such walls, and the software in use.

Actual communication speed may not be as fast as the one displayed on your computer.

Deploying IEEE 802.11b and IEEE 802.11g products on the same wireless network may reduce the communication speed due to radio interference. Taking this into consideration, the IEEE 802.11g products are designed to reduce the communication speed to ensure communications with IEEE 802.11b products. When the communication speed is not as fast as expected, changing the wireless channel on the access point may increase the communication speed.

Communicating without an Access Point (Ad-hoc)

An ad-hoc network is a network in which a LAN is created only by wireless devices themselves, with no other central controller or access point. Each device communicates directly with other devices in the network. You can set up an ad-hoc network easily at home.



To communicate without an access point (ad-hoc)



You cannot select the 5 GHz band, which is used for the IEEE 802.11a standard, on ad-hoc networks.

The IEEE 802.11n draft standard, using the 2.4 GHz or 5 GHz band, is not available on ad-hoc networks.

- 1 Turn on the **WIRELESS** switch.
- 2 Click **Start, All Programs**, and **VAIO Control Center**.
- 3 Click **Network Connections** and **VAIO Smart Network**.
- 4 Click **Advanced** in the right pane.



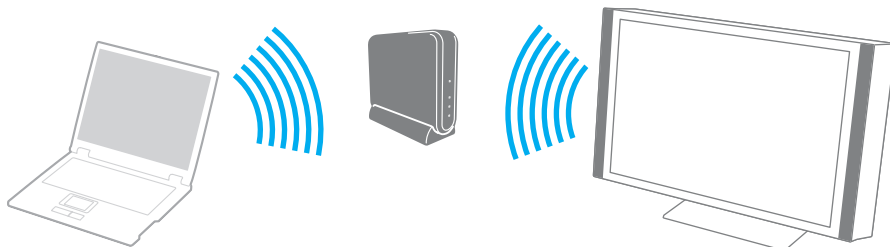
For information on the **VAIO Smart Network** software, see the help file included with the software.

- 5 Click the button next to or above your desired wireless option(s).
Make sure the **WIRELESS** indicator light turns on.
- 6 Click **Start** and **Control Panel**.
- 7 Click **View network status and tasks** under **Network and Internet**.
- 8 Click **Set up a connection or network** in the left pane.
The **Set up a connection or network** window appears.
- 9 Select an option to specify the ad-hoc network settings and click **Next**.
- 10 Follow the on-screen instructions.

Communicating with an Access Point (Infrastructure)

An infrastructure network is a network that extends an existing wired local network to wireless devices by providing an access point (not supplied). The access point bridges the wireless and wired LAN and acts as a central controller for the wireless LAN network. The access point coordinates transmission and reception from multiple wireless devices within a specific range. The access point will select which channel to use on an infrastructure network.

! For details on how to select the channel that will be used by the access point, see the manual that came with your access point.



To connect to a wireless network

- 1 Make sure an access point is set up.
See the manual that came with your access point for more information.
- 2 Turn on the **WIRELESS** switch.
- 3 Click **Start, All Programs**, and **VAIO Control Center**.
- 4 Click **Network Connections** and **VAIO Smart Network**.
- 5 Click **Advanced** in the right pane.





For information on the **VAIO Smart Network** software, see the help file included with the software.

- 6 Click the button next to or above your desired wireless option(s).
Make sure the **WIRELESS** indicator light turns on.



Wireless LAN communication (IEEE 802.11a standard) using only the 5 GHz band, available on selected models only, is disabled by default. To enable 5 GHz band communication, you need to select the option to use the 5 GHz band or both the 2.4 GHz and 5 GHz bands on the **WLAN** tab in the **VAIO Smart Network** settings window.

- 7 Right-click  or  on the taskbar and select **Connect to a network**.
- 8 Select the desired access point and click **Connect**.



For WPA-PSK or WPA2-PSK authentication, you must enter a passphrase. The passphrase is case sensitive and must be a text string between 8 and 63 characters in length or a hexadecimal string of 64 characters.

Stopping Wireless LAN Communications

To stop wireless LAN communications

Click the button next to or above the **WLAN** icon in the **VAIO Smart Network** window.

! Turning off the wireless LAN function while accessing remote documents, files, or resources may result in data loss.

Using the Bluetooth Function

You can establish wireless communications between your computer and other Bluetooth devices such as another computer or a mobile phone. You can transfer data between these devices without cables at a range of up to 10 meters in an open area.

To start Bluetooth communications

- 1 Turn on the **WIRELESS** switch.
- 2 Click **Start, All Programs**, and **VAIO Control Center**.
- 3 Click **Network Connections** and **VAIO Smart Network**.
- 4 Click **Advanced** in the right pane.



For information on the **VAIO Smart Network** software, see the help file included with the software.

- 5 Click the button next to or above the **Bluetooth** icon in the **VAIO Smart Network** window. Make sure the **WIRELESS** indicator light turns on.

Notes on using the Bluetooth function

- ❑ The data transfer rate varies, depending on the following conditions:
 - ❑ Obstacles, such as walls, located between devices
 - ❑ Distance between devices
 - ❑ Material used in walls
 - ❑ Proximity to microwaves and cordless telephones
 - ❑ Radio frequency interference and other environmental conditions
 - ❑ Device configuration
 - ❑ Type of software application
 - ❑ Type of operating system
 - ❑ Use of both wireless LAN and Bluetooth functions at the same time on your computer
 - ❑ Size of file being exchanged
- ❑ Large files may occasionally be corrupted during continuous transfer due to limitations of the Bluetooth standard and electromagnetic interference in the environment.
- ❑ All Bluetooth devices must be certified to make sure that the applicable standard requirements are maintained. Even if standards are met, individual device performance, specifications, and operation procedures can vary. Data exchange may not be possible in all situations.
- ❑ Video and audio may not be synchronized if you play videos on your computer with audio output from a connected Bluetooth device. This is a frequent occurrence with Bluetooth technology and is not a malfunction.

- ❑ The 2.4 GHz band, with which Bluetooth devices or wireless LAN devices work, is used by various devices. Bluetooth devices use the technology to minimize the interference from other devices that use the same wave length. Simultaneous use of the Bluetooth function and wireless communication devices, however, may cause radio interference and result in reduced communication speeds and distances than the standard values.



Read the Bluetooth regulations guide before using the Bluetooth function.

- ❑ The Bluetooth function may not work with other devices, depending on the manufacturer or the software version employed by the manufacturer.
- ❑ Connecting multiple Bluetooth devices to your computer may cause channel congestion, resulting in poor performance of the devices. This is normal with Bluetooth technology and is not a malfunction.

Bluetooth Security

The Bluetooth wireless technology has an authentication function, which allows you to determine with whom you choose to communicate. With the authentication function, you can prevent any anonymous Bluetooth devices from accessing your computer.

The first time two Bluetooth devices communicate, a common passkey (a password required for authentication) should be determined for both devices to be registered. Once a device is registered, there is no need to re-enter the passkey.

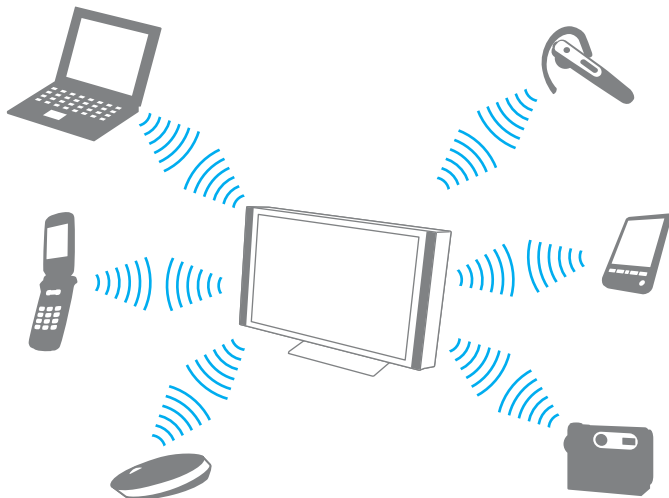


The passkey can be different each time, but must be the same at both ends.

For certain devices, such as a mouse, no passkey can be entered.

Communicating with Another Bluetooth Device

You can connect your computer to a Bluetooth device such as another computer, a mobile phone, a PDA, a headset, a mouse, or a digital camera without the use of any cables.



To communicate with another Bluetooth device

To communicate with another Bluetooth device, you first need to set up the Bluetooth function. For setting up and using the Bluetooth function, search for Bluetooth information using **Windows Help and Support**. To open **Windows Help and Support**, click **Start** and **Help and Support**.

! Be sure to turn on the **WIRELESS** switch before starting the Bluetooth function.

Stopping Bluetooth Communications

To stop Bluetooth communications

- 1 Turn off the Bluetooth device that is communicating with your computer.
- 2 Click the button next to or above the **Bluetooth** icon in the **VAIO Smart Network** window.

Using Peripheral Devices

You can add functionality to your VAIO computer by using the various ports on the computer.

- ❑ **Connecting External Speakers** ([page 106](#))
- ❑ **Connecting an External Display** ([page 108](#))
- ❑ **Selecting Display Modes** ([page 113](#))
- ❑ **Using the Multiple Monitors Function** ([page 114](#))
- ❑ **Connecting a Universal Serial Bus (USB) Device** ([page 116](#))
- ❑ **Connecting a Printer** ([page 118](#))
- ❑ **Connecting an i.LINK Device** ([page 119](#))

Connecting External Speakers

You can connect external sound output devices (not supplied), such as speakers or headphones, to your computer.


Since your computer is capable of outputting digital signals through the **OPTICAL OUT** port, you can connect an S/PDIF device such as digital headphones or an AV amplifier to the port and enhance the sound quality of your computer. For more information, see the manual that came with your S/PDIF device.

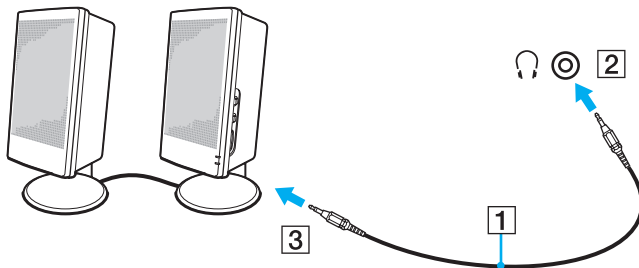
! To hear sound from the S/PDIF device connected to the **OPTICAL OUT** port, you need to change the sound output device. For the detailed instructions, see **How do I change the sound output device?** (page 199).



You need to remove the back panel cover from the computer to access the **OPTICAL OUT** port. See **Removing and Replacing the Back Panel Cover** (page 22) for the procedure.

To connect external speakers

- 1 Plug the speaker cable (1) (not supplied) into the headphones jack (2) .
- 2 Plug the other end of the speaker cable to the external speaker (3).
- 3 Turn down the volume of the speakers before you turn them on.





Make sure your speakers are designed for computer use.



Do not place floppy disks on the speakers. Their magnetic field may damage the data on the disks.

Connecting an External Display

You can connect an external display (not supplied) to the **HDMI OUTPUT** port on the back of your computer.



Connect the power cord of your external display after connecting all other cables.

To change the display output to the connected external display, see **Selecting Display Modes** ([page 113](#)).

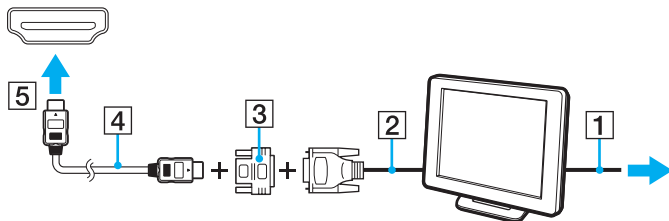
Connecting a Computer Display



You need to remove the back panel cover from the computer to access the **HDMI OUTPUT** port. See **Removing and Replacing the Back Panel Cover (page 22)** for the procedure.

To connect a computer display

- 1 If necessary, plug one end of the display's power cord (1) into your display, and the other end into an AC outlet.
- 2 Plug the display cable (2) (not supplied) to an HDMI to DVI-D adapter (3) (not supplied) and plug one end of the HDMI cable (4) (not supplied) to the HDMI to DVI-D adapter (3) and the other end to **HDMI OUTPUT** port (5) on the back of the computer.



- 3 If the external computer display is equipped with an HDMI input port, connect one end of an HDMI cable (not supplied) to the **HDMI OUTPUT** port on the back of the computer and the other to the HDMI input port on the computer display.

! Your computer is compliant with the HDCP standard and capable of encrypting the transmission channel of digital video signals for the purpose of copyright protection, which enables you to play and view a wide variety of copyright protected, high-quality contents. To view the copyright protected contents, connect an HDCP-compliant monitor to your computer. If your computer has a non-compliant monitor connected, you will not be able to play or view any copyright protected contents.



DVI-D stands for Digital Visual Interface - Digital. It is a type of DVI port that supports only digital video signals (no analog video signals). It has 24 pins.

Connecting a TV

If your TV is equipped with an HDMI input port, you can connect the TV to your computer.

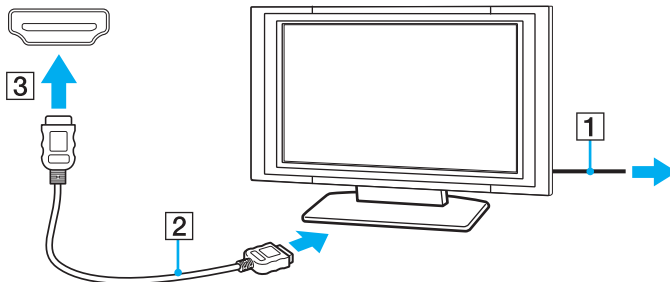


You need to remove the back panel cover from the computer to access the **HDMI OUTPUT** port. See **Removing and Replacing the Back Panel Cover (page 22)** for the procedure.

To connect a TV to your computer

! To hear sound from the device connected to the **HDMI OUTPUT** port, you need to change the device for sound output. For the detailed instructions, see **How do I change the sound output device? (page 199)**.

- 1 Plug the power cord of your TV (1) into an AC outlet.
- 2 Plug one end of an HDMI cable (2) (not supplied) to the **HDMI OUTPUT** port (3) on the back of the computer and the other to the HDMI input port on the TV.
- 3 Switch the input channel of the TV to external input.
- 4 Set up the TV configuration system.



! If a device driver other than the one provided by Sony is used, the image will not be displayed and the audio will not be heard. Always use the device driver provided by Sony for updates.



See the manual that came with your TV for more information on installation and use.

The HDMI cable carries both video and audio signals.


Additionally, you can connect a high-quality home theater receiver or other surround sound decoder devices between your computer and TV using an HDMI connection.

To connect a high-quality digital sound output device between your computer and a TV

! Before connecting the device to the computer, make sure the HDMI connection has been set up between the TV and the home theater receiver or surround sound decoder device first.

To hear sound from the device connected to the **HDMI OUTPUT** port, you need to change the device for sound output. For the detailed instructions, see **How do I change the sound output device?** ([page 199](#)).

- 1 Turn on the TV and set its input to the HDMI input.
- 2 Turn on the home theater receiver or surround sound decoder device and set its input to the HDMI input.
- 3 Plug one end of an HDMI cable (not supplied) to the HDMI input port on the home theater receiver or surround sound decoder device and the other end to the **HDMI OUTPUT** port on the computer.
- 4 Press the **Fn+F7** keys to change the display output to the connected TV.

 You can adjust the screen resolution of the connected TV with your computer. See **Why doesn't my screen display a video?** ([page 185](#)) for the detailed procedure.

With the HDMI connection, the volume can be adjusted by the connected audio device only. Your computer has no control over the output volume of any connected devices.

Selecting Display Modes

You can select which display to be used as the primary monitor when two displays (TV, desktop monitor, etc.) are connected to your computer.

If you want to work on both displays at the same time, see **Using the Multiple Monitors Function** ([page 114](#)) for more information.

To select a display

- 1 Click **Start** and **Control Panel**.
- 2 Click **Additional Options**.
- 3 Click **NVIDIA Control Panel**.
- 4 Select the display setup option under **Display**.
- 5 Follow the on-screen instructions to change the settings.



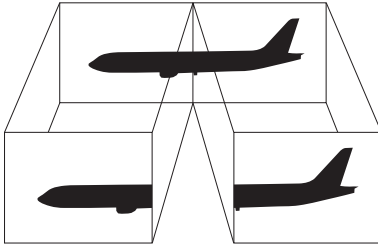
You may not be able to display the same contents on both displays (including a combination of one display and one projector) at the same time, depending on the type of your display or projector.

Before turning on your computer, turn on the external display.

Using the Multiple Monitors Function

The Multiple Monitors function allows you to distribute portions of your desktop across separate displays. For example, if you have a display connected to the **HDMI OUTPUT** port, your computer screen and the connected display can function as a single desktop.

You can move the cursor from one display to the other. This allows you to drag objects, such as an open application window or a toolbar, from one display to the other.



Your external display may not support the Multiple Monitors function.

Certain software applications may not be compatible with Multiple Monitors settings.

Make sure that your computer does not enter Sleep mode while you are using the Multiple Monitors function. Otherwise, the computer may not return to Normal mode.

If you set different colors on each display, do not expand a single window across two displays. Otherwise, your software may not work properly.

Set fewer colors or a lower resolution for each display.

To use the Multiple Monitors function

- 1 Click **Start** and **Control Panel**.
- 2 Click **Adjust screen resolution** under **Appearance and Personalization**.
- 3 Right-click the number **2** monitor and select **Attached**.
- 4 Click **OK**.
At the confirmation prompt, click **Yes**.



Additionally, you can set the display colors and resolution for each display and customize the Multiple Monitors function.


Connecting a Universal Serial Bus (USB) Device

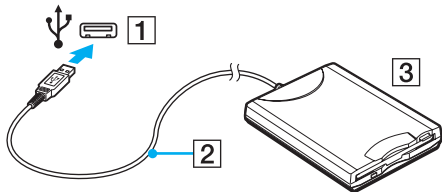
To protect your computer and/or USB devices from damage, avoid exposing the USB ports to shock or impact when moving the computer with USB devices connected.

Connecting a USB Floppy Disk Drive

You can purchase a USB floppy disk drive and connect it to your computer.

To connect a USB floppy disk drive

- 1 Choose the USB port (1)  you prefer to use.
- 2 Plug the USB floppy disk drive cable (2) into the USB port.
Your USB floppy disk drive (3) is now ready for use.



! When using a USB floppy disk drive, do not apply force to the USB port. This may cause a malfunction.

Disconnecting a USB floppy disk drive

You can disconnect a USB floppy disk drive when your computer is on or off. Disconnecting the drive when the computer is in Sleep mode may cause the computer to malfunction.

To disconnect a USB floppy disk drive



To disconnect a USB floppy disk drive when your computer is off, skip steps 1 to 5.

- 1 Close all programs accessing the floppy disk drive.
- 2 Double-click the **Safely Remove Hardware** icon on the taskbar.
- 3 Select the floppy disk drive you want to unplug.
- 4 Click **Stop**.
- 5 Follow the on-screen instructions to remove the floppy disk drive.
- 6 Disconnect the floppy disk drive from the computer.


Connecting a Printer

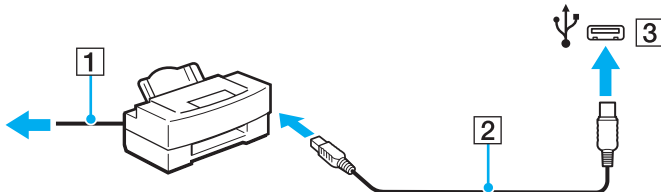
You can connect a Windows-compatible printer to your computer to print documents.

Connecting a Printer Using the USB Port

You can connect a USB printer compatible with your version of Windows to the computer.

To connect a printer using the USB port

- 1 Plug the power cord (1) of your printer into an AC outlet.
- 2 Choose the USB port (3)  you prefer to use.
- 3 Plug one end of a USB printer cable (2) (not supplied) into the USB port and the other end to your printer.



Connecting an i.LINK Device

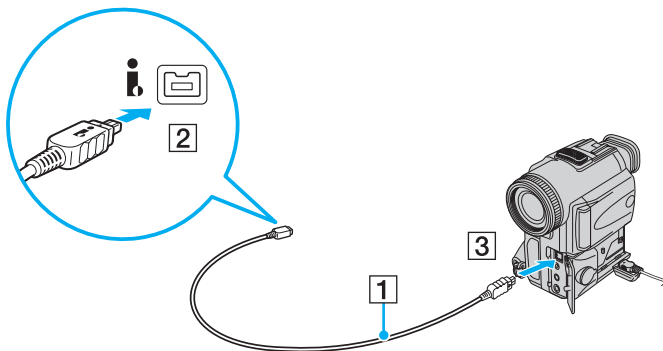
Notes on connecting i.LINK devices

- ❑ Your computer is equipped with an i.LINK port, which you can use to connect an i.LINK device, such as a digital video camcorder.
- ❑ The i.LINK port on your computer does not supply power to an external device. If the external device requires external power, be sure to connect it to a power source.
- ❑ The i.LINK port supports transfer rates up to 400 Mbps. However, the actual transfer rate depends on the transfer rate of the external device.
- ❑ The optional i.LINK cables may not be available in some countries or areas.
- ❑ An i.LINK connection with other compatible devices is not fully guaranteed.
- ❑ The i.LINK connection may not be available depending on the software applications, operating system, and i.LINK-compatible devices you use. See the manual that came with your software for more information.
- ❑ Check the working conditions and operating system compatibility of i.LINK-compatible PC peripherals (for example, an HDD or a CD-RW drive) before you connect them to your computer.

Connecting a Digital Video Camcorder

To connect a digital video camcorder

Plug one end of an i.LINK cable (1) (not supplied) into the i.LINK port (2) on the computer and the other end into the DV In/Out port (3) on the digital video camcorder.



On Sony digital video cameras, ports labeled **DV Out**, **DV In/Out**, or **i.LINK** are i.LINK-compatible.

The Sony digital video camcorder shown here is an example. Your digital video camcorder may need to be connected differently.

You cannot access the pictures stored on a Memory Stick when using an i.LINK connection.

Customizing Your VAIO Computer

This section briefly describes how to change the main settings of your VAIO computer. Among other things, you will learn how to use and customize the look of your Sony software and utilities.

- ❑ **Setting the Password** ([page 122](#))
- ❑ **Setting Up Your Computer with the VAIO Control Center** ([page 127](#))
- ❑ **Using the Power Saving Mode** ([page 128](#))
- ❑ **Setting Up Your Language with Windows Vista Ultimate** ([page 131](#))

Setting the Password

Use one of the BIOS functions to set the password.

Once you have set the password, you will be prompted to enter the password after the VAIO logo appears to start your computer. The power-on password allows you to protect your computer from unauthorized access.

Adding the Power-on Password

The power-on password is provided to protect your computer from unauthorized access.

There are two types of the power-on passwords: the machine password and the user password. The machine password is provided for users with administrative rights on the computer to change all the setup options in the BIOS setup screen, as well as to start the computer. The user password is provided for the standard users to allow for changing some of the BIOS setup options, as well as starting the computer. To set the user password, you must first set the machine password.

! Once you have set the power-on password, you cannot start your computer without entering the password. Be sure not to forget the password. Write down your password and keep it safe and private from other people.

If you forget the power-on password and need assistance to reset it, a password reset fee will be charged, and your computer may need to be sent in for service to reset the password.

To add the power-on password (machine password)

- 1 Turn on the computer.
- 2 Press the **F2** key when the VAIO logo appears.
The BIOS setup screen appears. If not, restart the computer and press the **F2** key several times when the VAIO logo appears.
- 3 Press the **←** or **→** key to select **Security** to display the **Security** tab, select **Set Machine Password**, and then press the **Enter** key.
- 4 On the password entry screen, enter the password twice and press the **Enter** key.
The password can be up to 32 alphanumeric characters (including spaces) long.
- 5 Select **Password when Power On** under **Security** and press the **Enter** key.
- 6 Change the setting from **Disabled** to **Enabled**.
- 7 Press the **←** or **→** key to select **Exit**, select **Exit Setup**, and then press the **Enter** key.
At the confirmation prompt, press the **Enter** key.

To add the power-on password (user password)



Make sure you set the machine password before setting the user password.

- 1 Turn on the computer.
- 2 Press the **F2** key when the VAIO logo appears.
The BIOS setup screen appears. If not, restart the computer and press the **F2** key several times when the VAIO logo appears.
- 3 Enter the machine password and press the **Enter** key.
- 4 Press the **←** or **→** key to select **Security** to display the **Security** tab, select **Set User Password**, and then press the **Enter** key.
- 5 On the password entry screen, enter the password twice and press the **Enter** key.
The password can be up to 32 alphanumeric characters (including spaces) long.
- 6 Press the **←** or **→** key to select **Exit**, select **Exit Setup**, and then press the **Enter** key.
At the confirmation prompt, press the **Enter** key.

Changing/Removing the Power-on Password

To change or remove the power-on password (machine password)

- 1 Turn on the computer.
- 2 Press the **F2** key when the VAIO logo appears.
The BIOS setup screen appears. If not, restart the computer and press the **F2** key several times when the VAIO logo appears.
- 3 Enter the machine password and press the **Enter** key.
- 4 Press the **←** or **→** key to select **Security** to display the **Security** tab, select **Set Machine Password**, and then press the **Enter** key.
- 5 On the password entry screen, enter the current password once and a new password twice, and then press the **Enter** key.
To remove the password, leave the **Enter New Password** and **Confirm New Password** fields blank and press the **Enter** key.
- 6 Press the **←** or **→** key to select **Exit**, select **Exit Setup**, and then press the **Enter** key.
At the confirmation prompt, press the **Enter** key.

To change or remove the power-on password (user password)

- 1 Turn on the computer.
- 2 Press the **F2** key when the VAIO logo appears.
The BIOS setup screen appears. If not, restart the computer and press the **F2** key several times when the VAIO logo appears.
- 3 Enter the user password and press the **Enter** key.
- 4 Press the **←** or **→** key to select **Security** to display the **Security** tab, select **Set User Password**, and then press the **Enter** key.
- 5 On the password entry screen, enter the current password once and a new password twice, and then press the **Enter** key.
To remove the password, leave the **Enter New Password** and **Confirm New Password** fields blank and press the **Enter** key.
- 6 Press the **←** or **→** key to select **Exit**, select **Exit Setup**, and then press the **Enter** key.
At the confirmation prompt, press the **Enter** key.

Setting Up Your Computer with the VAIO Control Center

The **VAIO Control Center** utility allows you to access system information and to specify preferences for system behavior.

To use the VAIO Control Center

- 1 Click **Start, All Programs, and VAIO Control Center**.
- 2 Select the desired control item and change the settings.
- 3 Once finished, click **OK**.
The setting of the desired item has been changed.



For more information about each option, see the help file included with the **VAIO Control Center**.

Some of the control items will not be visible if you open the **VAIO Control Center** as a standard user.

Changing the default SONY logo lamp activity

The **SONY** logo lamp illuminates when you turn on your computer. You can change this default activity of the lamp to make it stay unlit by following these steps:

- 1 Click **Start, All Programs, and VAIO Control Center**.
- 2 Click **Display and Logo Lamp Control**.
- 3 Follow the on-screen instructions.



You cannot change this option for the HDMI input. To change settings, see **Changing the Display and Sound Settings for the HDMI Input** ([page 70](#)) for the procedure.

Using the Power Saving Mode

In addition to the normal operating mode, your computer has a distinct power saving mode called Sleep mode.

Using Normal Mode

This is the normal state of the computer when it is in use. The green power indicator light is lit in this mode.

Using Sleep Mode

Sleep mode turns off the LCD screen and places the hard disk drive and the CPU into a low power consumption mode. The orange power indicator light illuminates in this mode.

! Turn off your computer if you do not intend to use it for a long period of time.

To activate Sleep mode

Click **Start**, the arrow next to the **Lock** button, and **Sleep**.



Alternatively, you can press the sleep button on the wireless keyboard to place your computer into Sleep mode.

When your computer is in Sleep mode, you cannot insert a disc.

To return to Normal mode

- Press any key on the wireless keyboard.
- Press the power button on your computer.

! Make sure that the batteries of your wireless keyboard are properly installed and not worn out.

If you press and hold the power button for more than four seconds, your computer will turn off automatically. You will lose all unsaved data.

If the computer is not used for a certain period of time, it will enter Sleep mode. To modify this, you can change the Sleep mode settings.

To change the Sleep mode settings

- 1 Click **Start, Control Panel, Hardware and Sound, and Power Options.**
- 2 Click **Change plan settings** under the current power plan.
- 3 Change the time to place the computer into Sleep mode and click **Save Changes.**

Setting Up Your Language with Windows Vista Ultimate

On models with Windows Vista Ultimate, you can download and install your desired language pack. See the online specifications to find out if your computer has Windows Vista Ultimate installed.

! To download a language pack, your computer must be connected to the Internet. For information on how to connect the computer to the Internet, see **Using the Internet (page 89)**.

To install a language pack

- 1 Click **Start, All Programs, and Windows Update**.
- 2 Click **Check for updates**.
- 3 Click **View available Extras**.
- 4 Select your desired language pack in the **Windows Vista Ultimate Language Pack** section and click **Install**.

Upgrading Your VAIO Computer

Your VAIO computer and memory modules use high precision components and electronic connectors technology. To avoid invalidation of the warranty during your product warranty period, we recommend that:

- You should contact your dealer to install a new memory module.
- You should not install it yourself, if you are not familiar with upgrading memory on a computer.
- You should not touch the connectors or open the memory module compartment cover.

For the type of module and the amount of memory installed on your model, see the online specifications.

Contact VAIO-Link if you need assistance.

- Adding and Removing Memory** ([page 133](#))
- Replacing the Hard Disk Drive** ([page 140](#))

Adding and Removing Memory

If you want to expand the functionality of your computer, you can increase the amount of memory by installing optional memory modules. Before you upgrade your computer's memory, read the notes and procedures in the following pages.

Notes on adding/removing memory modules

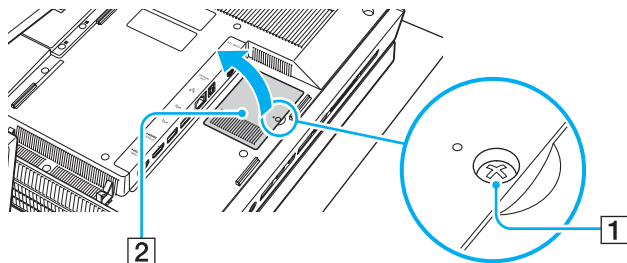
- ❑ Be careful when changing memory. Improper installation of memory modules may cause damage to your system. This damage may void your manufacturer's warranty.
- ❑ Only use memory modules that are compatible with your computer. If a memory module is not detected by the computer or the Windows operating system becomes unstable, contact the sales dealer or the manufacturer of your memory module. If your system does not boot after you added or replaced a memory module, the module may not be compatible with your computer. Before adding or replacing a memory module, be sure to see **Sony Support Information (page 206)** to visit the appropriate support web site.
- ❑ Electrostatic discharge (ESD) can damage electronic components. Before touching a memory module, ensure the following:
 - ❑ The procedures described in this document assume user familiarity with the general terminology associated with personal computers and with the safety practice and regulatory compliance requirements for using and modifying electronic equipment.
 - ❑ Turn off your computer and disconnect it from the power source and from any telecommunication links or networks before you remove any cover or panel from the computer. Failure to do so may result in personal injury or equipment damage.
 - ❑ ESD can damage memory modules and other components. Install the memory module only at an ESD workstation. If such a station is not available, do not work in a carpeted area, and do not handle materials that produce or hold static electricity (cellophane wrappers, for example). Ground yourself by maintaining contact with an unpainted metal portion of the chassis while performing the procedure.
 - ❑ Do not open the memory module package before you are ready to change the module. The package protects the module from ESD.

- ❑ Use the special bag supplied with the memory module or wrap the module in aluminum foil to protect it from ESD.
- ❑ Introducing any liquids, foreign substances, or objects into the memory module slots or other internal components of your computer will result in damage to the computer and any repair costs will not be covered by the warranty.
- ❑ Do not place the memory module in a location subject to:
 - ❑ Heat sources such as radiators or air ducts
 - ❑ Direct sunlight
 - ❑ Excessive dust
 - ❑ Mechanical vibration or shock
 - ❑ Strong magnets or speakers that are not magnetically shielded
 - ❑ Ambient temperature of more than 35°C or less than 5°C
 - ❑ High humidity
- ❑ Handle the memory module with care. To avoid injuries to your hands and fingers, do not touch the edges of the components and circuit boards inside your computer.

Removing and Installing a Memory Module

To change or add a memory module

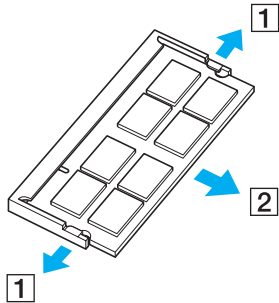
- 1 Shut down the computer, turn off all peripheral devices, and disconnect peripheral devices from the ports and jacks on the left and right of the computer.
- 2 Remove the back panel cover from the computer.
See **Removing and Replacing the Back Panel Cover** (page 22) for the procedure.
- 3 Disconnect the power cord and the peripheral devices from the back of the computer.
- 4 Wait about an hour until the computer cools down.
- 5 Unscrew the screw (1) and remove the memory module compartment cover (2).



- 6 Touch a metal object to discharge static electricity.

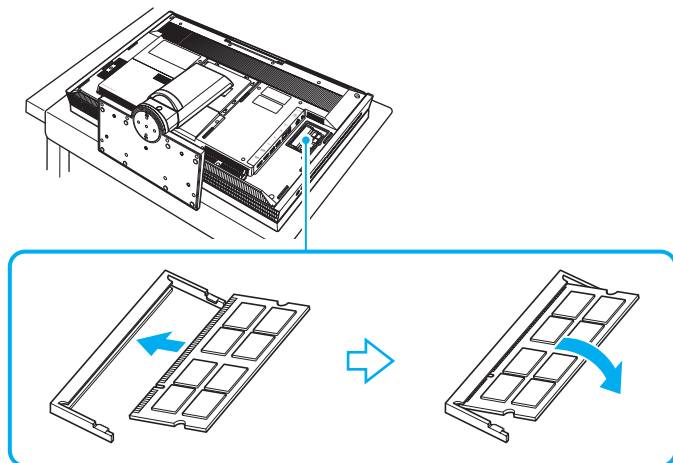
7 Remove the currently installed memory module as follows:

- ❑ Pull the latches in the direction of the arrows (1).
The memory module is released.
- ❑ Make sure that the memory module tilts up and then pull it out in the direction of the arrow (2).



8 Remove the new memory module from its packaging.

- 9 Slide the memory module into the memory module slot and push it in until it clicks into place.



! Do not touch any other components on the motherboard.

Be sure to insert the connector edge of the memory module into the slot while aligning the notch on the module with the small projection in the open slot. Do not force the memory module into the slot in a wrong orientation, as it may cause damage to the slot and the module.

- 10 Replace the memory module compartment cover and tighten the screw.
- 11 Connect the power cord and the peripheral devices to the back of the computer.
- 12 Replace the back panel cover.
See **Removing and Replacing the Back Panel Cover** ([page 22](#)) for the procedure.

- 13** Connect the rest of the peripheral devices to the left and right of the computer.
- 14** Plug the computer and the peripheral devices to power sources.
- 15** Turn on all peripheral devices and then the computer.

Viewing the Amount of Memory

To view the amount of memory

- 1 Turn on the computer.
- 2 Click **Start**, **All Programs**, and **VAIO Control Center**.
- 3 Click **System Information** and **System Information**.
You can view the amount of system memory in the right pane. If the additional memory does not appear, repeat the installation procedure and restart the computer.

Replacing the Hard Disk Drive

Your computer is equipped with two 3.5-inch hard disk drives.

Review the manufacturer's information provided with your new hard disk drive before attempting to install it in the computer.

Notes on installing hard disk drives

- ❑ The entire repair cost will be charged if there is a failure or an accident arising from replacement of a hard disk by yourself.
- ❑ Hard disk replacement requires great care. Improper installation or removal will cause a malfunction of your computer.
- ❑ If you need assistance to replace a hard disk, contact VAIO-Link.
- ❑ Some hard disks are not compatible with your computer. Contact the manufacturer of your hard disk for compatibility with VAIO computers.
- ❑ Be sure to unplug your computer and peripheral devices from power sources before replacing either hard disk. Replacing a hard disk while your computer is plugged to a power source may cause damage to the computer and the connected peripheral devices as well as the hard disk.

About hard disk drive recovery

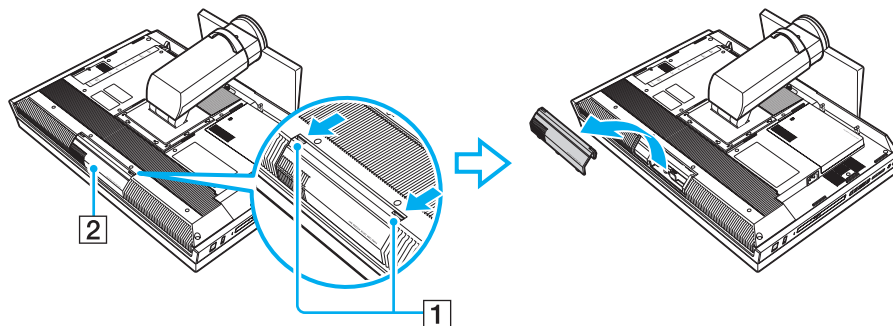
When you replace the original hard disk drive, the preinstalled **VAIO Recovery Center** cannot restore the drive partitions, operating system, or original software programs. Before replacing the hard disk drive, create your own recovery discs.

See the printed **Troubleshooting and Recovery Guide** for more information.

Replacing the Hard Disk Drive in the Top Hard Disk Bay (Port 1)

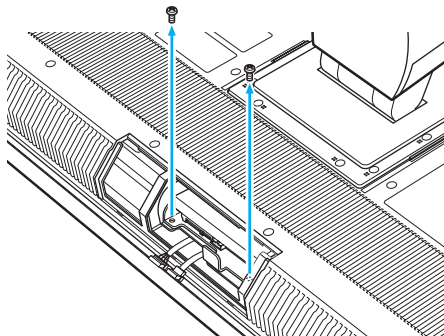
To replace the hard disk drive

- 1 Shut down the computer, turn off all peripheral devices, and disconnect peripheral devices from the ports and jacks on the left and right of the computer.
- 2 Remove the back panel cover from the computer.
See **Removing and Replacing the Back Panel Cover** (page 22) for the procedure.
- 3 Disconnect the power cord and the peripheral devices from the back of the computer.
- 4 Wait about an hour until the computer cools down.
- 5 Push and hold the tabs (1) on the top **HARD DISK DRIVE ACCESS BAY** (Port 1) cover (2) and remove the cover.

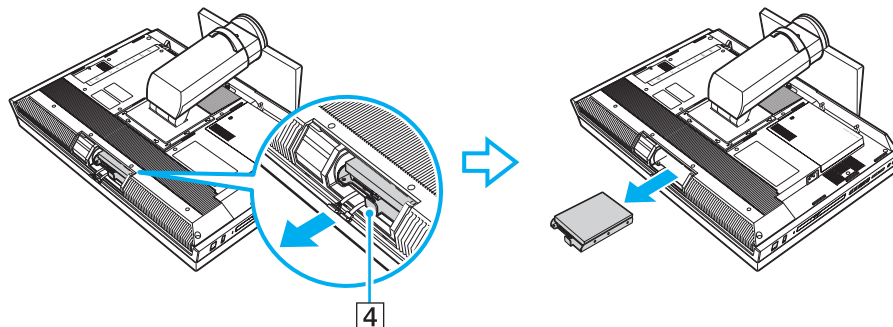


- 6 Disconnect the Serial ATA power cable and the Serial ATA cable from the current hard disk drive.

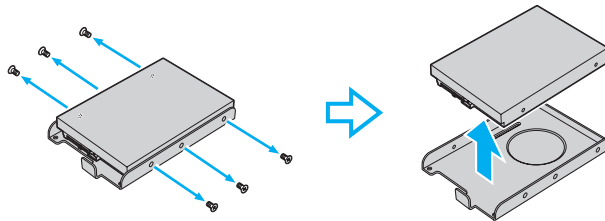
- 7 Unscrew the two screws (3) securing the drive holder.



- 8 Grasp the tab (4) on the drive holder and pull out the holder with the hard disk drive from the hard disk bay.



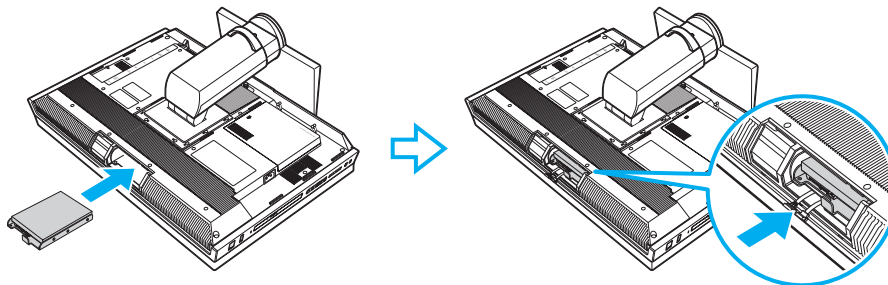
- 9 Remove the six screws from the drive holder and take out the hard disk drive.



- 10 Place a new hard disk drive into the drive holder and align the holes on each side of the holder.
11 Secure the drive to the drive holder with screws, through the holes on each side of the holder.

! A new hard disk drive comes with the necessary screws. Do not overtighten these screws when securing the drive to the drive holder.

- 12 Slide the drive holder with the new drive into the hard disk bay until it clicks into place and connect the Serial ATA power cable and the Serial ATA cable to the new drive.



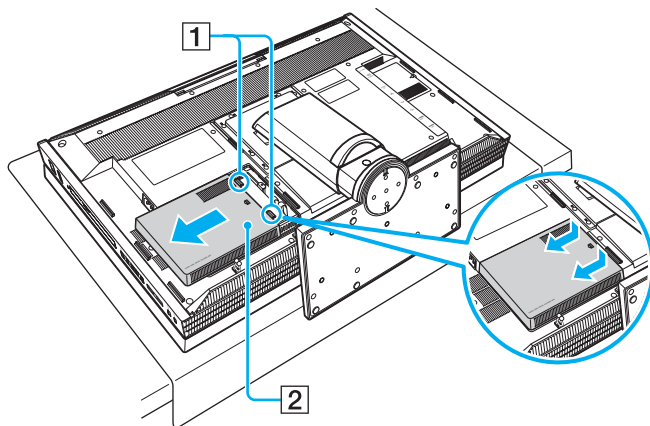
- 13 Secure the drive holder with the screws that you removed in step 7.
14 Replace the hard disk bay cover.

- 15 Connect the power cord and the peripheral devices to the back of the computer.
- 16 Replace the back panel cover.
See **Removing and Replacing the Back Panel Cover** ([page 22](#)) for the procedure.
- 17 Connect the rest of the peripheral devices to the left and right of the computer.
- 18 Plug the computer and the peripheral devices to power sources.
- 19 Turn on all peripheral devices and then the computer.

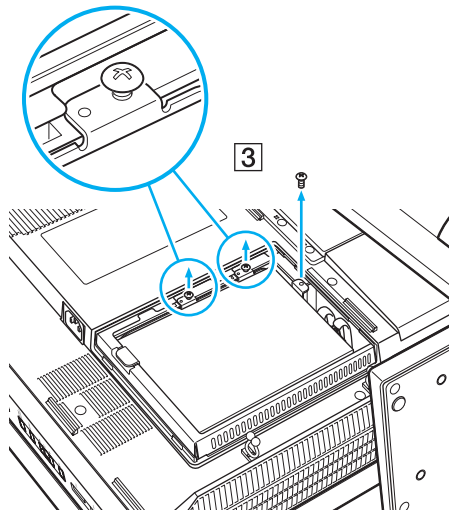
Replacing the Hard Disk Drive in the Bottom Hard Disk Bay (Port 0)

To replace the hard disk drive

- 1 Shut down the computer, turn off all peripheral devices, and disconnect peripheral devices from the ports and jacks on the left and right of the computer.
- 2 Remove the back panel cover from the computer.
See **Removing and Replacing the Back Panel Cover** (page 22) for the procedure.
- 3 Disconnect the power cord and the peripheral devices from the back of the computer.
- 4 Wait about an hour until the computer cools down.
- 5 Push down and hold the tabs (1) on the bottom **HARD DISK DRIVE ACCESS BAY** (Port 0) cover (2) and slide the cover to the left to remove it.

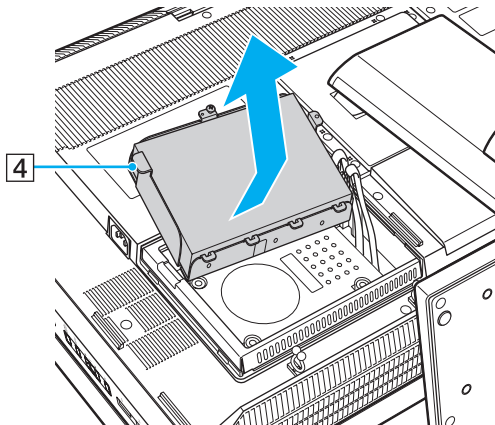


- 6 Unscrew the three screws (3) securing the drive holder.

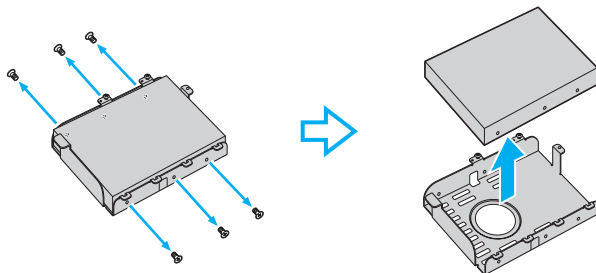


! The top two screws are not removable from the drive holder tabs.

- Put a fingertip underneath the side flap (4) of the drive holder, lift up the holder with the current hard disk drive, and diagonally take it out of the hard disk bay.



- Disconnect the Serial ATA power cable and the Serial ATA cable from the hard disk drive.
- Remove the six screws from the drive holder and take out the hard disk drive.



10 Place a new hard disk drive into the drive holder and align the holes on each side of the holder.

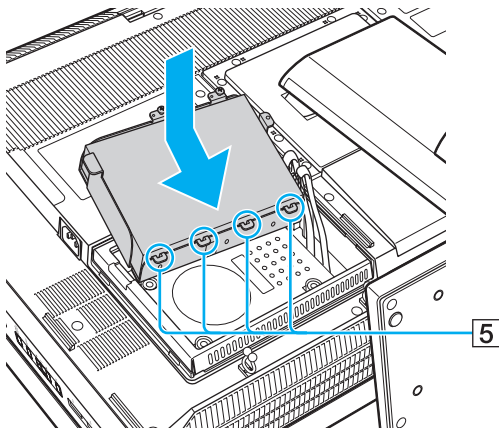
11 Secure the drive to the drive holder with screws, through the holes on each side of the holder.

!

A new hard disk drive comes with the necessary screws. Do not overtighten these screws when securing the drive to the drive holder.

12 Connect the Serial ATA power cable and the Serial ATA cable to the new drive.

13 Insert the four tabs (5) underneath the hard disk bay frame and place the drive holder with the new drive into the bay.



14 Secure the drive holder with the screws that you removed in step 6.

15 Replace the hard disk bay cover.

16 Connect the power cord and the peripheral devices to the back of the computer.

17 Replace the back panel cover.

See **Removing and Replacing the Back Panel Cover** ([page 22](#)) for the procedure.

- 18** Connect the rest of the peripheral devices to the left and right of the computer.
- 19** Plug the computer and the peripheral devices to power sources.
- 20** Turn on all peripheral devices and then the computer.

Identifying the Hard Disk Space

When you have initialize a new hard disk, it must be configured as an extended partition in Windows NT file system (NTFS) format.

To identify the hard disk space

- 1 Log on to Windows as a user with administrative rights.
- 2 Click **Start**, right-click **Computer**, and select **Manage**.
The **Computer Management** window appears.
- 3 Under the file directory on the right, click **Disk Management** under **Storage**.
- 4 Right-click on the newly installed, unformatted hard disk (disk label identified with red marking) and select **Initialize Disk**.
- 5 Click on the allocated area of the disk.
- 6 Right-click the area and select **New Partition**.
The **New Partition** wizard window appears.
- 7 Follow the on-screen instructions to complete the process.

The Windows Vista operating system recognizes the new hard disk drive and applies the NTFS format to it.

Precautions

This section describes safety guidelines and precautions to help you protect your VAIO computer from potential damage.

- ❑ **Handling the LCD Screen** ([page 152](#))
- ❑ **Using the Power Source** ([page 153](#))
- ❑ **Handling Your Computer** ([page 154](#))
- ❑ **Handling Floppy Disks** ([page 157](#))
- ❑ **Handling Discs** ([page 158](#))
- ❑ **Using Headphones** ([page 159](#))
- ❑ **Handling the Memory Stick** ([page 160](#))
- ❑ **Handling the Hard Disk** ([page 161](#))
- ❑ **Updating Your Computer** ([page 162](#))

Handling the LCD Screen

- ❑ Do not leave the LCD screen facing the sun. This could damage the LCD screen. Be careful when using your computer near a window.
- ❑ Do not scratch the surface of the LCD screen or exert pressure on it. This could cause a malfunction.
- ❑ Using your computer in low temperature conditions may produce a residual image on the LCD screen. This is not a malfunction. When the computer returns to normal temperature, the screen returns to normal.
- ❑ A residual image may appear on the LCD screen if the same image is displayed for a long period of time. The residual image disappears after a while. You can use a screen saver to prevent residual images.
- ❑ The LCD screen becomes warm during operation. This is normal and does not indicate a malfunction.
- ❑ The LCD screen is manufactured using high-precision technology. You may, however, see tiny black points and/or bright points (red, blue, or green) that continuously appear on the LCD screen. This is a normal result of the manufacturing process and does not indicate a malfunction.
- ❑ Avoid rubbing the LCD screen. This could damage the screen. Use a soft, dry cloth to wipe the surface of the LCD screen.
- ❑ Do not change the LCD screen orientation setting in the **Tablet PC Settings** window even when there are change options available for selection, as this may make your computer unstable. Sony assumes no liability for any malfunctions arising from changes to the settings.

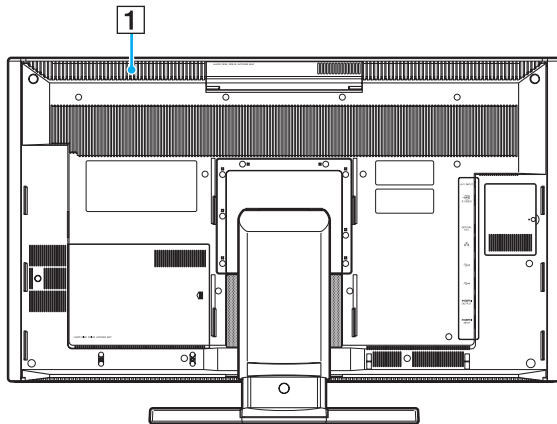
Using the Power Source

- ❑ See the online specifications to check the power operation of your model.
- ❑ Do not share the AC outlet with other power-consuming equipment, such as a photocopier or a shredder.
- ❑ You can purchase a power strip with a surge protector. This device helps prevent damage to your computer caused by sudden power surges, in an electrical storm, for example.
- ❑ Do not place heavy objects on the power cord.
- ❑ To disconnect the cord, pull it out by holding the plug. Never pull the cord itself.
- ❑ Unplug your computer from the AC outlet if you are not planning to use the computer for a long period of time.
- ❑ Make sure that the AC outlet is easily accessible.
- ❑ Use the power cord supplied with your computer or genuine Sony products. Do not use any other power cord as it may cause a malfunction.

Handling Your Computer

- ❑ Clean the cabinet with a soft cloth, which is dry or lightly moistened with a mild detergent solution. Do not use any type of abrasive pad, scouring powder, or solvent such as alcohol or benzene, as these may damage the finish of your computer.
- ❑ If you drop a solid object or any liquid onto your computer, shut down the computer and then unplug it. You may want to have the computer checked by qualified personnel before operating it again.
- ❑ Do not drop your computer.
- ❑ Do not place your computer in a location subject to:
 - ❑ Heat sources, such as radiators or air ducts
 - ❑ Direct sunlight
 - ❑ Excessive dust
 - ❑ Moisture or rain
 - ❑ Mechanical vibration or shock
 - ❑ Strong magnets or speakers that are not magnetically shielded
 - ❑ Ambient temperature of more than 35°C or less than 5°C
 - ❑ High humidity
- ❑ Do not place electronic equipment near your computer. The electromagnetic field of the equipment may cause the computer to malfunction.
- ❑ Use your computer on a solid, stable surface.
- ❑ Do not place your computer near materials such as curtains or draperies that may block its air vents.

- ❑ The aluminum part in the vicinity of the air exhaust vent (1) on the top surface of the main unit becomes hot while your computer is on. Be sure to wait until the main unit cools down before you touch the top surface.



- ❑ When one of the wireless functions of your computer is activated, the computer emits radio frequency signals which may cause interference with medical devices. If you have a cardiac pacemaker implanted, be sure to check that the **WIRELESS** indicator light on the right of the computer is unlit before using the computer.
- ❑ Your computer uses high-frequency radio signals and may cause interference to radio or TV reception. If this occurs, relocate the computer a suitable distance away from the set.
- ❑ Use only specified peripheral equipment and interface cables. Otherwise, problems may occur.
- ❑ Do not use cut or damaged connection cables.
- ❑ If your computer is brought directly from a cold location to a warm one, moisture may condense inside the computer. In this case, allow at least one hour before turning on the computer. If any problems occur, unplug the computer and contact VAIO-Link.

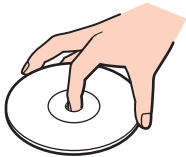
- ❑ Make sure you disconnect the power cord before cleaning your computer.
- ❑ To avoid losing data when your computer is damaged, back up your data regularly.
- ❑ Do not grasp the base stand or the base stand clamp to lift your computer as the stand may break and cause the main unit to fall, resulting in damage to the computer or personal injuries.
- ❑ To lift or move your computer, grasp the bottom corners of the main unit with both hands from behind the computer to avoid any damage to the LCD screen. There is a risk of scratching the LCD screen, for example with your waist belt buckle, if you hold your computer from its front.

Handling Floppy Disks

- ❑ Do not open the shutter manually and touch the internal components of the floppy disk.
- ❑ Keep floppy disks away from magnets.
- ❑ Keep floppy disks away from direct sunlight and other sources of heat.
- ❑ Keep floppy disks away from any liquid. Do not let them get wet. When you are not using your floppy disk, always remove it from the floppy disk drive and put it in a storage case.
- ❑ If the floppy disk comes with a label, make sure that the label is properly affixed. If the edge of the label is curled up, the label may stick to the inside of the floppy disk drive and cause a malfunction or damage your floppy disk.

Handling Discs

- ❑ Do not touch the surface of the disc.
- ❑ Fingerprints and dust on the surface of a disc may cause read errors. Always hold the disc by its edges and central hole, as shown below:



- ❑ Proper care of the disc is essential to its continuous reliability. Do not use solvents (such as benzine, thinner, alcohol, commercially available cleaners, or anti-static spray) which may cause damage to the disc.
- ❑ For normal cleaning, hold the disc by its edges and use a soft cloth to wipe the surface from the center out.
- ❑ If the disc is badly soiled, moisten a soft cloth with water, wring it out well, and use it to wipe the surface of the disc from the center out. Wipe off any remaining moisture with a dry soft cloth.
- ❑ Never affix an adhesive label to a disc. This will affect the use of the disc and may result in irreparable damage.

Using Headphones

Preventing hearing damage – Avoid using headphones at high volume. Hearing experts advise against continuous, loud and extended play. If you experience a ringing in your ears, reduce the volume or discontinue use.

Handling the Memory Stick

- Do not touch the Memory Stick connector with your finger or metallic objects.
- Use only the adhesive label supplied with the Memory Stick as a label.
- Do not bend, drop, or expose the Memory Stick.
- Do not disassemble or modify the Memory Stick.
- Do not let the Memory Stick get wet.
- Do not use or store the Memory Stick in a location subject to:
 - Static electricity
 - Electrical noise
 - Extremely high temperatures, such as in a car parked in the sun
 - Direct sunlight
 - High humidity
 - Corrosive substances
- Use the storage case supplied with the Memory Stick.
- Be sure to make a backup copy of your valuable data.
- Keep the Memory Stick and the Memory Stick adaptors out of reach of children. There is a risk of swallowing them.
- When using the Memory Stick Duo, do not use a fine-tipped pen to write on the label adhered to the Memory Stick Duo. Exerting pressure on the media may damage internal components.

Handling the Hard Disk

The hard disk drive has a high storage density and reads or writes data in a short time. However, it can be easily damaged by mechanical vibration, shock, or dust.

Although the hard disk drive has the internal safety device to prevent losing data due to mechanical vibration, shock, or dust, you should be careful when handling your computer.

To avoid damaging your hard disk drive

- Do not subject your computer to sudden movements.
- Keep your computer away from magnets.
- Do not place your computer in a location subject to mechanical vibration or in an unstable position.
- Do not move your computer while the power is on.
- Do not turn off the power or restart your computer while reading or writing data to the hard disk drive.
- Do not use your computer in a place subject to extreme changes in temperature.



If the hard disk drive is damaged, the data cannot be restored.

Updating Your Computer

Be sure to install the latest updates on your computer with the following software applications so that the computer can run more efficiently.

Windows Update

Click **Start, All Programs, and Windows Update** and then follow the on-screen instructions.

VAIO Update 4

Click **Start, All Programs, VAIO Update 4, and VAIO Update Options** and then follow the on-screen instructions.



Your computer must be connected to the Internet to download the updates.

Troubleshooting

This section describes how to solve common problems you might encounter when using your VAIO computer. Many problems have simple solutions. Try these suggestions before contacting VAIO-Link.

- ❑ **Computer** ([page 164](#))
- ❑ **System Security** ([page 170](#))
- ❑ **Networking** ([page 171](#))
- ❑ **Bluetooth Technology** ([page 176](#))
- ❑ **Optical Discs** ([page 180](#))
- ❑ **Display** ([page 184](#))
- ❑ **Printing** ([page 188](#))
- ❑ **Microphone** ([page 189](#))
- ❑ **Mouse** ([page 190](#))
- ❑ **Speakers** ([page 192](#))
- ❑ **Touch Pad** ([page 194](#))
- ❑ **Keyboard** ([page 195](#))
- ❑ **Floppy Disks** ([page 197](#))
- ❑ **Audio/Video** ([page 198](#))
- ❑ **HDMI Input** ([page 202](#))
- ❑ **Memory Stick** ([page 204](#))
- ❑ **Peripherals** ([page 205](#))

Computer

What should I do if my computer does not start?

- ❑ Make sure your computer is securely plugged into a power source and turned on and the power indicator light shows the power is on.
- ❑ Disconnect all connected USB devices (if any), and then restart your computer.
- ❑ Remove any extra memory modules you may have installed since purchase, and then restart your computer.
- ❑ If your computer is plugged into a power strip or an uninterruptible power supply (UPS), make sure the power strip or UPS is plugged into a power source and turned on.
- ❑ If the orange **DISPLAY OFF** indicator is lit, press the **DISPLAY OFF** button.
- ❑ Make sure the brightness and contrast controls are adjusted correctly.
- ❑ Make sure the computer input is selected. To change the display input, press the **HDMI SELECT** button on the right of the computer.
- ❑ Unplug the power cord. Wait three to five minutes. Plug the power cord again and press the power button to turn on your computer.
- ❑ Condensation may cause your computer to malfunction. If this occurs, do not use the computer for at least one hour.
- ❑ If you add or replace a memory module that is not compatible with your computer, your system may not boot. Before adding or replacing a memory module, be sure to see **Sony Support Information (page 206)** to visit the appropriate support web site.
- ❑ Check that you are using the supplied Sony power cord. For your safety, use only the genuine Sony power cord, which is supplied by Sony for your VAIO computer.
- ❑ Make sure your computer is not in Sleep mode by pressing the power button on the computer or the sleep button on the wireless keyboard. If you press and hold the power button for more than four seconds, your computer will turn off automatically.

What should I do if the green power indicator light turns on but my screen remains blank?


- ❑ If the orange **DISPLAY OFF** indicator is lit, press the **DISPLAY OFF** button.
- ❑ Make sure the computer input is selected. To change the display input, press the **HDMI SELECT** button on the right of the computer.
- ❑ Press the **Alt+F4** keys several times to close the application window. An application error may have occurred.
- ❑ Press the **Ctrl+Alt+Delete** keys and click the arrow next to the **Shut down** button and **Restart**.
- ❑ Press and hold the power button for more than four seconds to shut down your computer. Unplug the power cord and leave the computer for about five minutes. Then, plug the power cord and turn on the computer again.



Make sure that the batteries of your wireless keyboard are properly installed and not worn out.

Turning off your computer with the power button or the **Ctrl+Alt+Delete** keys may cause loss of unsaved data.

What should I do if my computer or software stops responding?

- ❑ If your computer stops responding while a software application is running, press the **Alt+F4** keys to close the application window.
- ❑ If the **Alt+F4** keys do not work, click **Start**, the arrow next to the **Lock** button, and **Shut Down** to turn off your computer.
- ❑ If your computer does not turn off, press the **Ctrl+Alt+Delete** keys and click the arrow  next to the **Shut down** button and **Shut Down**.
If the **Windows Security** window appears, click **Shut Down**.
- ❑ If your computer still does not turn off, press and hold the power button until the computer turns off.
!
Turning off your computer with the **Ctrl+Alt+Delete** keys or the power button may cause loss of unsaved data.
- ❑ Unplug the power cord. Wait three to five minutes. Plug the power cord again and press the power button to turn on your computer.
- ❑ Try reinstalling the software.
- ❑ Contact the software publisher or designated provider for technical support.

Why doesn't my computer enter Sleep mode?

Your computer may become unstable if the operating mode is changed before the computer completely enters Sleep mode.

To restore your computer to normal mode

- 1 Close all open programs.
- 2 Click **Start**, the arrow next to the **Lock** button, and **Restart**.
- 3 If your computer does not restart, press the **Ctrl+Alt+Delete** keys and click the arrow next to the **Shut down** button and **Restart**.
- 4 If this procedure does not work, press and hold the power button until the computer turns off.

! Turning off your computer with the power button may cause loss of unsaved data.

What should I do if Windows does not accept my password and returns a message, Enter Onetime Password?

If you enter a wrong power-on password three times consecutively, the **Enter Onetime Password** message appears and Windows will not start. Press and hold the power button for more than four seconds to check that the power indicator light turns off. Wait for 10 or 15 seconds, then restart your computer and enter the correct password. When entering the password, check that the Num lock and Caps lock indicators are unlit. If both or either of the lights is lit, press the **Num Lk** (or **Num Lock**) key or the **Caps Lock** key to turn off the indicator before entering the password.

What should I do if my game software does not work or it keeps crashing?

- ❑ Check the web site of the game if there are any patches or updates to download.
- ❑ Make sure you have installed the latest video driver.
- ❑ On some VAIO models, the graphics memory is shared with the system. The optimal graphic performance in this case is not guaranteed.

What should I do if I cannot remember the power-on password?

If you have forgotten the power-on password, contact VAIO-Link to reset it. A reset fee will be charged.

How can I change the boot device order?

You can use one of the BIOS functions to change the boot device order. Follow these steps:

- 1 Turn on your computer.
- 2 Press the **F2** key when the VAIO logo appears.
The BIOS setup screen appears. If not, restart the computer and press the **F2** key several times when the VAIO logo appears.
- 3 Press the **←** or **→** key to select **Boot**.
- 4 Press the **↑** or **↓** key to select your desired priority under **Boot Priority** and press the **Enter** key.
- 5 Press the **↑** or **↓** key to select the device to which you want to assign the priority and press the **Enter** key.
- 6 Press the **←** or **→** key to select **Exit**, select **Exit Setup**, and then press the **Enter** key.
At the confirmation prompt, press the **Enter** key.

Why doesn't my screen turn off after the automatic turn-off time has passed?

The VAIO original screen saver disables the timer setting, which you can select using the Windows power options, for your screen to turn off.

Select a screen saver other than the VAIO original screen saver.

What should I do if I cannot boot my computer from the USB floppy disk drive connected to the computer?

To boot your computer from the USB floppy disk drive, you need to change the boot device.

Turn on your computer and press the **F11** key when the VAIO logo appears.

How do I check the volume of the recovery partition?

Your hard disk drive contains the recovery partition where data for the system recovery is stored. To check the volume of the recovery partition, follow these steps:

- 1 Click **Start**, right-click **Computer**, and select **Manage**.
- 2 Click **Disk Management** under **Storage** in the left pane.
The volume of the recovery partition and the total volume of the C drive are displayed in the **Disk 0** row in the center pane.

System Security

How can I protect my computer against security threats, such as viruses?

The Microsoft Windows operating system is preinstalled on your computer. The best way to protect your computer against security threats, such as viruses, is to download and install the latest Windows updates regularly.

You can get important Windows updates by doing the following:



Your computer must be connected to the Internet to download the updates.

- 1 Connect to the Internet.
- 2 Double-click the **Windows Security Alerts** icon on the taskbar.
- 3 Follow the on-screen instructions to set up automatic or scheduled updates.

How do I keep my antivirus software updated?

You can keep the **McAfee Internet Security Suite** software program current with the latest updates from McAfee, Inc.

To download and install the latest security updates, follow these steps:

- 1 Click **Start, All Programs, McAfee, and McAfee SecurityCenter**.
- 2 Click the button located at the upper left corner of the window to update the software.
- 3 Follow the on-screen instructions to download updates.

See the help file included with your software program for more information.

Networking

What should I do if my computer cannot connect to a wireless LAN access point?

- ❑ Connection capability is affected by distance and obstructions. You need to place your computer away from obstructions or move any access point you may be using closer to the computer.
- ❑ Make sure the **WIRELESS** switch is on and the **WIRELESS** indicator light is lit on your computer.
- ❑ Make sure power to the access point is on.
- ❑ If you want to connect your computer to a wireless LAN access point using the 5 GHz band, make sure the option to use the 5 GHz band or both the 2.4 GHz and 5 GHz bands is selected on the **WLAN** tab in the **VAIO Smart Network** settings window. Wireless LAN communication (IEEE 802.11a standard) using only the 5 GHz band, available on selected models only, is disabled by default.
- ❑ Follow these steps to check the settings:
 - 1 Click **Start** and **Control Panel**.
 - 2 Click **View network status and tasks** under **Network and Internet**.
 - 3 Click **Connect to a network** to confirm that your access point is selected.
- ❑ Make sure the encryption key is correct.

- ❑ Make sure **Maximum Performance** is selected for **Wireless Adapter Settings** in the **Power Options** window. Selecting any other option may result in a communication failure. To change the settings, follow these steps:
 - 1 Right-click the power status icon on the taskbar and select **Power Options**.
 - 2 Click **Change plan settings** under the current power plan.
 - 3 Click **Change advanced power settings**.
 - 4 Select the **Advanced settings** tab.
 - 5 Double-click **Wireless Adapter Settings** and **Power Saving Mode**.
 - 6 Select **Maximum Performance** from the drop-down list for **Plugged in**.

What should I do if I cannot access the Internet?

- ❑ Check the access point settings. See the manual that came with your access point for more information.
- ❑ Make sure your computer and the access point are connected to one another.
- ❑ Place your computer away from obstacles or move any access point you may be using closer to the computer.
- ❑ Make sure your computer is properly configured for Internet access.
- ❑ Make sure **Maximum Performance** is selected for **Wireless Adapter Settings** in the **Power Options** window. Selecting any other option may result in a communication failure. Follow the steps in **What should I do if my computer cannot connect to a wireless LAN access point? (page 171)** to change the settings.

Why is the data transfer speed slow?

- ❑ The wireless LAN data transfer speed is affected by distance and obstructions between devices and access points. Other factors include device configurations, radio conditions, and software compatibility. To maximize the data transfer speed, place your computer away from obstacles or move any access point you may be using closer to the computer.
- ❑ If you are using a wireless LAN access point, the device may be temporarily overloaded depending on how many other devices are communicating via the access point.
- ❑ If your access point interferes with other access points, change the access point channel. See the manual that came with your access point for more information.
- ❑ Make sure **Maximum Performance** is selected for **Wireless Adapter Settings** in the **Power Options** window. Selecting any other option may result in a communication failure. Follow the steps in **What should I do if my computer cannot connect to a wireless LAN access point? (page 171)** to change the settings.

How do I avoid data transfer interruptions?

- ❑ When your computer is connected to an access point, data transfer interruptions may occur if a large file is exchanged or the computer is placed in close proximity to microwaves and cordless telephones.
- ❑ Move your computer closer to the access point.
- ❑ Make sure the access point connection is intact.
- ❑ Change the access point channel. See the manual that came with your access point for more information.
- ❑ Make sure **Maximum Performance** is selected for **Wireless Adapter Settings** in the **Power Options** window. Selecting any other option may result in a communication failure. Follow the steps in **What should I do if my computer cannot connect to a wireless LAN access point? (page 171)** to change the settings.

What are channels?

- ❑ Wireless LAN communication uses divided frequency bands known as channels. Third-party wireless LAN access point channels may be preset to different channels from Sony devices.
- ❑ If you are using a wireless LAN access point, see connectivity information contained in the manual that came with your access point.

Why does the network connection stop when I change the encryption key?

Two computers with the wireless LAN function may lose a peer-to-peer network connection if the encryption key is changed. You can either change the encryption key back to the original profile or re-enter the key on both computers so the key matches.

How do I display the VAIO Smart Network window?

To display the **VAIO Smart Network** window on the desktop, follow these steps:

- 1 Click **Start**, **All Programs**, and **VAIO Control Center**.
- 2 Click **Network Connections** and **VAIO Smart Network**.
- 3 Click **Advanced** in the right pane.



For information on the **VAIO Smart Network** software, see the help file included with the software.

Bluetooth Technology

What should I do if other Bluetooth devices cannot find my computer?

- Make sure both devices have the Bluetooth function enabled.
- If the **WIRELESS** indicator light is unlit, turn on the **WIRELESS** switch.
- Your computer and the device may be too far apart. Wireless Bluetooth technology works best when the devices are within 10 meters of each other.

Why can't my computer find other Bluetooth devices?

If the connected device is also connected to other devices, it may not appear in the **Bluetooth Devices** window or you may not be able to communicate with the device.

What should I do if I cannot find the Bluetooth device I want to communicate with?

- Check that the Bluetooth function of the device you want to communicate with is on. See the other device's manual for more information.
- If the device you want to communicate with is already communicating with another Bluetooth device, it may not be found or it may not be able to communicate with your computer.
- To allow other Bluetooth devices to communicate with your computer, follow these steps:
 - 1 Click **Start, Control Panel, Hardware and Sound, Bluetooth Devices**, and **Bluetooth Settings**.
 - 2 Click the **Options** tab and select the **Allow Bluetooth devices to find this computer** check box.

What should I do if other Bluetooth devices cannot connect to my computer?

- ❑ Make sure the other devices are authenticated.
- ❑ To allow other Bluetooth devices to communicate with your computer, follow these steps:
 - 1 Click **Start, Control Panel, Hardware and Sound, Bluetooth Devices**, and **Bluetooth Settings**.
 - 2 Click the **Options** tab and select the **Allow Bluetooth devices to find this computer** check box.
- ❑ The data transfer distance can be shorter than 10 meters depending on existing obstacles between the two devices, on radio wave quality, and on the operating system or the software in use. Move your computer and Bluetooth devices closer to each other.
- ❑ If the device you want to communicate with is already communicating with another Bluetooth device, it may not be found or it may not be able to communicate with your computer.
- ❑ Check that the Bluetooth function of the device you want to communicate with is on. See the other device's manual for more information.

Why is my Bluetooth connection slow?

- ❑ The data transfer speed depends on the obstructions and/or the distance between the two devices, on the radio wave quality, and on the operating system or the software in use. Move Bluetooth devices closer to your computer.
- ❑ The 2.4 GHz radio frequency used by Bluetooth and wireless LAN devices is also used by other devices. Bluetooth devices incorporate technology that minimizes interference from other devices using the same wavelength, however, communication speed and connection range may be reduced. Interference from other devices may also stop communications altogether.
- ❑ Connection capability is affected by distance and obstructions. You need to place your computer away from obstacles or move the device to which it is connected closer to the computer.
- ❑ Identify and remove obstacles between your computer and the device to which it is connected.
- ❑ Large files may occasionally be corrupted during continuous transfer due to limitations of the Bluetooth standard and electromagnetic interference in the environment.

Why can't I use the services supported by the connected Bluetooth device?

Connection is only possible for services also supported by the computer with the Bluetooth function. For more details, search for Bluetooth information using **Windows Help and Support**. To open **Windows Help and Support**, click **Start** and **Help and Support**.

Why can't I use the Bluetooth function when I log onto my computer as a user with a standard user account?

The Bluetooth function may not be available to a user with a standard user account on your computer. Log onto the computer as a user with administrative rights.

Why can't I use the Bluetooth devices when I switch users?

If you switch users without logging off your system, the Bluetooth devices will not work. Be sure to log off before switching users. To log off your system, click **Start**, the arrow next to the **Lock** button, and **Log Off**.

Why can't I exchange business card data with a mobile phone?

The business card exchange function is not supported.

Optical Discs

Why does my computer freeze when I try to read a disc?

The disc that your computer is trying to read may be dirty or damaged. Follow these steps:

- 1 Press the **Ctrl+Alt+Delete** keys and click the arrow next to the **Shut down** button and **Restart** to restart the computer.
- 2 Remove the disc from the optical disc drive.
- 3 Check the disc for dirt or damage. If you need to clean the disc, see **Handling Discs (page 158)** for instructions.

What should I do if the drive tray does not open?

- Make sure your computer is on.
- Press the drive eject button on the computer or the disc drive eject button on the wireless keyboard.
- If both buttons do not work, click **Start** and **Computer**, right-click the optical disc drive icon, and select **Eject**.
- If none of the above options work, insert a thin, straight object (such as a paper clip) in the manual eject hole on the optical disc drive.
- Try restarting your computer.

What should I do if I cannot play a disc properly on my computer?

- ❑ Make sure the disc is inserted into the optical disc drive with the label side facing toward you.
- ❑ Make sure the necessary program(s) is installed according to the manufacturer's instructions.
- ❑ If a disc is dirty or damaged, your computer will stop responding. Follow these steps:
 - 1 Press the **Ctrl+Alt+Delete** keys and click the arrow next to the **Shut down** button and **Restart** to restart the computer.
 - 2 Remove the disc from the optical disc drive.
 - 3 Check the disc for dirt or damage. If you need to clean the disc, see **Handling Discs (page 158)** for instructions.
- ❑ If you are playing a disc and cannot hear sound, do any of the following:
 - ❑ The muting button on the wireless keyboard may have been pressed. Press the button once again.
 - ❑ The volume may have been minimized with the volume down button on the wireless keyboard. Press the volume up button to turn up the volume loud enough to hear sound.
 - ❑ Right-click the volume icon on the taskbar and click **Open Volume Mixer** to check the settings.
 - ❑ Check the volume setting in the audio mixer.
 - ❑ If you are using external speakers, check the volume settings on the speakers and the connections between the speakers and your computer.

- ❑ Make sure the correct driver software is installed. Follow these steps:
 - 1 Click **Start** and **Control Panel**.
 - 2 Click **System and Maintenance**.
 - 3 Click **System**.
 - 4 Click **Device Manager** in the left pane.

The **Device Manager** window appears with a listing of your computer's hardware devices.
If an "X" or an exclamation point appears on the listed device, you may need to enable the device or reinstall the drivers.
 - 5 Double-click the optical disc drive device to open a list of the optical disc drives of your computer.
 - 6 Double-click the desired drive.

You can confirm the driver software by selecting the **Driver** tab, and clicking **Driver Details**.
 - 7 Click **OK** to close the window.
- ❑ Make sure an adhesive label is not affixed to a disc. Adhesive labels can come off while the disc is in the optical disc drive and damage the drive or cause it to malfunction.
- ❑ If a region code warning appears, the disc may be incompatible with the optical disc drive. Check the package to make sure the region code is compatible with the optical disc drive.
- ❑ If you notice condensation on your computer, do not use the computer for at least one hour. Condensation can cause the computer to malfunction.

What should I do if I cannot play Blu-ray Disc media or my computer becomes unstable during Blu-ray Disc playback?

You may not be able to play some Blu-ray Disc contents on your computer, or the computer may become unstable during Blu-ray Disc playback. To play such contents normally, download and install the latest updates for the **WinDVD BD** using the **VAIO Update**.

To download and install the updates on the computer, it must be connected to the Internet. For information on how to connect the computer to the Internet, see **Using the Internet (page 89)**.

What should I do if I cannot write data to CD media?

- Make sure you neither launch any software application nor allow any to launch automatically, not even a screen saver.
- If you are using a CD-R/RW disc with an adhesive label affixed, replace it with one with no affixed adhesive label. Using a disc with an affixed adhesive label could cause a write error or other damage.

What should I do if I cannot write data to DVD media?

- Make sure you are using the correct DVD recordable media.
- Check which DVD recordable format is compatible with your optical disc drive. Some brands of DVD recordable media do not work.

Why can't I write data to Blu-ray Disc media?

- Check if your optical disc drive supports the Blu-ray Disc writing function.
- BD-R Disc media are not rewritable. You cannot add or erase data to or from the BD-R Disc media.

Display

Why did my screen go blank?

- ❑ Your computer screen may go blank if the computer enters Sleep mode. If the computer is in Sleep mode, press any key to bring the computer back into Normal mode. See **Using the Power Saving Mode (page 128)** for more information.
- ❑ Make sure the computer input is selected. To change the display input, press the **HDMI SELECT** button on the right of the computer.
- ❑ Make sure your computer is securely plugged into a power source and turned on and the power indicator light is lit.
- ❑ The LCD backlight of your computer may have been turned off. Press the **DISPLAY OFF** button.

What should I do if no image is displayed on my TV screen or external display connected to the HDMI output port?

Make sure you are using an HDCP-compliant display. The copyright protected contents are not displayed on a non-HDCP compliant display. See **Connecting a Computer Display (page 109)** for more information.

Why doesn't my screen display a video?

- ❑ If the display output is directed to the external display and the external display is disconnected, you cannot display a video on your computer screen. Stop video playback, change the display output to the computer screen, and then restart video playback. See **Selecting Display Modes (page 113)** for changing the display output.
- ❑ The video memory of your computer may be insufficient for displaying high resolution videos. In this case, lower the resolution of the LCD screen.

To change the screen resolution, follow these steps:

- 1 Right-click on the desktop and select **Personalize**.
- 2 Click **Display Settings**.
- 3 Move the slider under **Resolution** to the left to reduce or to the right to increase the screen resolution.



You can check the total amount of the graphics and video memory available. Right-click on the desktop, select **Personalize**, and click **Display Settings**, **Advanced Settings**, and the **Adaptor** tab. The displayed value may be different from the actual amount of memory on your computer.

What should I do if my screen is dark?

Press the **Fn+F6** keys to brighten your computer screen.

What should I do if the LCD brightness of my screen changes?

The LCD brightness setting, adjusted with the **Fn+F5/F6** keys, is temporary and may be restored to the original setting when your computer returns to Normal mode from Sleep mode. To save your preference for the brightness, follow these steps:

- 1 Right-click the power status icon on the taskbar and select **Power Options**.
- 2 Click **Change plan settings** under the current power plan.
- 3 Click **Change advanced power settings**.
- 4 Select the **Advanced settings** tab.
- 5 Double-click **Display**.
- 6 Adjust the LCD brightness setting in the item for brightness adjustment.

What should I do if the external display remains blank?

You may need to change the settings for the external display with the **VAIO Control Center**. To change the settings, launch the **VAIO Control Center**, select the control item for the external display, and then click to select the check box for changing the options to detect the external display. Then, change the display output. See **Selecting Display Modes (page 113)** for the detailed procedure.

How do I run Windows Aero?

! This Q & A entry applies to selected models only.

To run Windows Aero, follow these steps:

- 1 Click **Start** and **Control Panel**.
- 2 Click **Customize colors** under **Appearance and Personalization**.
- 3 Click **Open classic appearance properties for more color options**.
- 4 Select **Windows Aero** from the **Color scheme** options on the **Appearance** tab.
- 5 Click **OK**.

For information about the Windows Aero features, such as Windows Flip 3D, see **Windows Help and Support**.

Printing

What should I do if I cannot print a document?

- ❑ Make sure your printer is on, and the printer cable is securely connected to the ports on the printer and your computer.
- ❑ Make sure your printer is compatible with the Windows operating system installed on your computer.
- ❑ You may need to install the printer driver software before you use your printer. See the manual that came with your printer for more information.
- ❑ If your printer is not functioning after your computer resumes from Sleep mode, then restart the computer.
- ❑ If the bidirectional communication functions are provided with your printer, disabling the functions on your computer may enable printing. Follow these steps:
 - 1 Click **Start** and **Control Panel**.
 - 2 Click **Printer** under **Hardware and Sound**.
 - 3 Right-click the printer icon and select **Properties**.
 - 4 Click the **Ports** tab.
 - 5 Click to cancel the **Enable bidirectional support** check box.
 - 6 Click **OK**.

This disables the bidirectional communication functions of the printer, such as data transfer, status monitoring, and remote panel.

Microphone

What should I do if my microphone does not work?

- ❑ If you are using an external microphone, make sure the microphone is turned on and is properly plugged into the microphone jack on your computer.
- ❑ Your sound input device may have been incorrectly configured. To configure the sound input device, follow these steps:
 - 1 Close all open programs.
 - 2 Click **Start** and **Control Panel**.
 - 3 Click **Hardware and Sound**.
 - 4 Click **Manage audio devices** under **Sound**.
 - 5 On the **Recording** tab, select the desired device for sound input and click **Set Default**.

How can I prevent microphone feedback?

Microphone feedback occurs when the microphone receives the sound from a sound output device, such as a speaker.

To prevent this problem:

- ❑ Keep the microphone away from a sound output device.
- ❑ Turn down the volume of the speakers and the microphone.

Mouse

What should I do if my computer does not recognize my mouse?

- Make sure the power switch on the bottom of the wireless mouse is in the **ON** position.
- Make sure another mouse is not connected.
- Make sure the supplied AA batteries are properly installed.
- Press the **CONNECT** button on your computer and then on the wireless mouse within 10 seconds to re-establish the connection between the two devices.
- The supplied AA batteries may have run out of power. Replace the batteries.

What should I do if the pointer does not move when I use my mouse?

- ❑ Make sure another mouse is not connected.
- ❑ If the pointer does not move while a software application is running, press the **Alt+F4** keys to close the application window.
- ❑ If the **Alt+F4** keys do not work, press the Windows key once and then the **→** key several times, select **Restart** with the **↑** or **↓** key, and press the **Enter** key to restart your computer.
- ❑ If your computer does not restart, press the **Ctrl+Alt+Delete** keys, select the arrow next to the **Shut down** button with the **↓** and **→** keys and then **Restart** with the **↑** or **↓** key, and press the **Enter** key to restart your computer.
- ❑ If this procedure does not work, press and hold the power button until the computer turns off.



Turning off your computer with the power button may cause loss of unsaved data.

- ❑ Avoid using any wireless devices that exchange radio signals on the 2.4 GHz frequency band near your wireless mouse. These devices may cause interference, causing your mouse to stop working properly.
- ❑ Do not place metal furniture near your computer or wireless mouse, as this may create interference, causing your mouse to stop working properly.

Speakers

What should I do if my external speakers do not work?

- ❑ If you are using a program that has its own volume control, make sure the volume control is properly set. See the program's help file for more information.
- ❑ Make sure your speakers are properly connected and the volume is turned up loud enough to hear sound.
- ❑ Make sure your speakers are designed for computer use.
- ❑ If your speakers have a muting button, set the button to off.
- ❑ The volume may have been turned off by the muting button on the wireless keyboard. Press the button once again.
- ❑ The volume may have been minimized by the volume down button on the wireless keyboard. Press the volume up button to turn up the volume loud enough to hear sound.
- ❑ If your speakers require external power, make sure the speakers are connected to a power source. See the manual that came with your speakers for more information.
- ❑ Check the Windows volume controls by clicking the volume icon on the taskbar.
- ❑ Your sound output device may have been incorrectly configured. To configure the sound output device, see **How do I change the sound output device? (page 199)**.

What should I do if I do not hear sound from the built-in speakers?

- ❑ If you are using a program that has its own volume control, make sure the volume control is properly set. See the program's help file for more information.
- ❑ The volume may have been turned off by the muting button on the wireless keyboard. Press the button once again.
- ❑ The volume may have been minimized by the volume down button on the wireless keyboard. Press the volume up button to turn up the volume loud enough to hear sound.
- ❑ Check the Windows volume controls by clicking the volume icon on the taskbar.
- ❑ Your sound output device may have been incorrectly configured. To change the sound output device, see **How do I change the sound output device? (page 199)**.

Touch Pad

What should I do if the touch pad does not work?

- ❑ You may have disabled the touch pad. Press the **Fn+F11** keys to enable the touch pad.
- ❑ If the pointer does not move while a software application is running, press the **Alt+F4** keys to close the application window.
- ❑ If the **Alt+F4** keys do not work, press the Windows key once and then the **→** key several times, select **Restart** with the **↑** or **↓** key, and press the **Enter** key to restart your computer.
- ❑ If your computer does not restart, press the **Ctrl+Alt+Delete** keys, select the arrow next to the **Shut down** button with the **↓** and **→** keys and then **Restart** with the **↑** or **↓** key, and press the **Enter** key to restart your computer.
- ❑ If this procedure does not work, press and hold the power button until the computer turns off.

! Turning off your computer with the power button may cause loss of unsaved data.

Keyboard

What should I do if the keyboard configuration is wrong?

The language layout of your wireless keyboard is labeled on the packaging box. If you choose a different regional keyboard when you complete the Windows setup, the key configuration will be mismatched.

To change the keyboard configuration, follow these steps:

- 1 Click **Start** and **Control Panel**.
- 2 Click **Clock, Language, and Region**, and click **Regional and Language Options**.
- 3 Change the settings as desired.

What should I do if I cannot enter certain characters with the keyboard?

- If you cannot enter **U, I, O, P, J, K, L, M**, and so on, the **Num Lk** key may be activated. Check that the Num lock indicator light is unlit. If the Num lock indicator is lit, press the **Num Lk** key to turn it off before entering these characters.
- Avoid using any wireless devices that exchange radio signals on the 2.4 GHz band near the wireless keyboard. These devices may cause interference, causing the keyboard to stop working properly.
- Do not place metal furniture or objects near your computer or wireless keyboard, as this may create interference, causing the keyboard to stop working properly.

What should I do if my computer does not recognize my keyboard?

- ❑ Make sure the power switch on the back of the wireless keyboard is in the **ON** position.
- ❑ Make sure the supplied AA batteries are properly installed.
- ❑ Press the **CONNECT** button on your computer and then on the wireless keyboard to re-establish the connection between the two devices.
- ❑ The supplied AA batteries may have run out of power. Replace the batteries.

Floppy Disks

Why doesn't the Safely Remove Hardware icon appear on the taskbar when the drive is connected?

Your computer does not recognize the floppy disk drive. First, make sure the USB cable is properly connected to the USB port. If you need to secure the connection, wait a few moments for the computer to recognize the drive. If the icon still does not appear, follow these steps:

- 1 Close all programs that are accessing the floppy disk drive.
- 2 Wait until the indicator light on the floppy disk drive turns off.
- 3 Push the eject button to remove the disk, and disconnect the USB floppy disk drive from your computer.
- 4 Reconnect the floppy disk drive by plugging the USB cable into the USB port.
- 5 Restart the computer by clicking **Start**, the arrow next to the **Lock** button, and **Restart**.

What should I do if I cannot write data to a floppy disk?

- Make sure the floppy disk is properly inserted in the drive.
- If the disk is inserted properly and you are still unable to write data to it, the disk may be full or write-protected. You can either use a floppy disk that is not write-protected or disable the write-protect feature.

Audio/Video

What should I do if I cannot use my DV camcorder?

If a message appears stating that the i.LINK device is disconnected or turned off, the i.LINK cable may not be securely plugged into the port on your computer or camcorder. Unplug the cable, and plug it in once again. See **Connecting an i.LINK Device (page 119)** for more information.



i.LINK is a trademark of Sony Corporation used only to designate that a product contains an IEEE 1394 connection. The procedure to establish an i.LINK connection may vary, depending on a software application, an operating system, and a compatible i.LINK device. Not all products with an i.LINK connection can communicate with each other. See the manual that came with your compatible i.LINK device for more information on operating conditions and proper connection. Before connecting compatible i.LINK PC peripherals to your system, such as a CD-RW or hard disk drive, confirm their operating system compatibility and required operating conditions.

How do I turn off the Windows startup sound?

To turn off the Windows startup sound, follow these steps:

- 1 Click **Start** and **Control Panel**.
- 2 Click **Hardware and Sound**.
- 3 Click **Manage audio devices** under **Sound**.
- 4 On the **Sounds** tab, click to cancel the **Play Windows Startup sound** check box.
- 5 Click **OK**.

How do I change the sound output device?

If you do not hear sound from the device connected to a port, such as the USB port, HDMI output port, optical output port, or headphones jack, you need to change the device for sound output.

- 1 Close all open programs.
- 2 Click **Start** and **Control Panel**.
- 3 Click **Hardware and Sound**.
- 4 Click **Manage audio devices** under **Sound**.
- 5 On the **Playback** tab, select the desired device for sound output and click **Set Default**.

What should I do if I do not hear the sound from the sound output device connected to the HDMI output port, optical output port, or headphones jack?

- ❑ You need to change the sound output device if you want to hear sound from the device connected to a port, such as the HDMI output port, optical output port, or headphones jack. For the detailed procedure, see **How do I change the sound output device?** (page 199).
- ❑ If you still hear no sound from the sound output device, follow these steps:
 - 1 Follow steps 1 to 4 in **How do I change the sound output device?** (page 199).
 - 2 On the **Playback** tab, select the HDMI or S/PDIF icon and click **Properties**.
 - 3 Click the **Advanced** tab.
 - 4 Select the sample rate and bit depth (for example, 48000 Hz, 16 bit) which the device supports.
 - 5 Click **OK**.

How do I output the Dolby Digital or DTS sound through an S/PDIF or HDMI-compatible device?

To output the Dolby Digital or DTS sound from a disc through an S/PDIF or HDMI-compatible device connected to your computer, follow these steps:

- 1 Click **Start** and **Control Panel**.
- 2 Click **Hardware and Sound**.
- 3 Click **Manage audio devices** under **Sound**.
- 4 On the **Playback** tab, select the optical out or HDMI icon and click **Properties**.
- 5 Click the **Supported Formats** tab.
- 6 Click to select the **DTS Audio** and **Dolby Digital** check boxes.
- 7 Click **OK**.

! If the Dolby Digital or DTS output is connected to a device that does not support it, the device will not play any sound. In such a case, cancel the **DTS Audio** and **Dolby Digital** check boxes.

Why do sound interruptions and/or dropped frames occur when I play high-definition videos, such as those recorded with the AVCHD digital video camcorder?

Playing high-definition videos requires substantial hardware resources, such as CPU, GPU, or system memory performance on your computer. During the video playback, some operations and/or functions may become unavailable, and sound interruptions, dropped frames, and playback failure may occur depending on your hardware specifications.

HDMI Input

What should I do if I cannot change the volume with the Up/Down buttons?

You cannot change the volume with the Up/Down buttons while the computer input is selected. Press the **HDMI SELECT** button on the right of the computer to switch the display input to the HDMI input.



The **HDMI SELECT** indicator light (**HDMI SELECT** button) illuminates in green when the HDMI input is selected.

What should I do if I cannot change the volume or the brightness with the wireless keyboard?

You cannot change the volume or the brightness with the wireless keyboard while the HDMI input is selected. Use the Up/Down buttons to change the volume or the OSD menu to change the brightness. To change settings from the OSD menu, see **Changing the Display and Sound Settings for the HDMI Input (page 70)** for the procedure.



The **HDMI SELECT** indicator light (**HDMI SELECT** button) illuminates in green when the HDMI input is selected.

How do I display the Windows desktop?

To display the Windows desktop, make sure your computer is turned on, and then press the **HDMI SELECT** button on the right of the computer to switch the display input to the computer input. If your computer screen remains blank, see **What should I do if the green power indicator light turns on but my screen remains blank? (page 165)**.

How do I save input images or sound from the connected HDMI-compatible device to files on my computer?

You cannot save such images or sound to files on your computer. In addition, you cannot record the HDMI input, such as a TV program, displayed on your computer or control the **Windows Media Center** with the HDMI Input function.

How do I turn off the Sony logo lamp while viewing the HDMI input?

You need to change the settings with the OSD menu to turn off the Sony logo lamp. See **Changing the Display and Sound Settings for the HDMI Input (page 70)** for more information.

How do I turn off the system power indicator light?

Turn off both your computer and the device connected to the **HDMI INPUT** port.

How do I output signals from the HDMI INPUT port to the HDMI OUTPUT port?

Your computer is not designed to output signals from the **HDMI INPUT** port to the **HDMI OUTPUT** port.

Memory Stick

What should I do if I cannot use a Memory Stick that was formatted on a VAIO computer on other devices?

You may need to reformat your Memory Stick.

Formatting a Memory Stick erases all data, including music data previously saved on it. Before you reformat a Memory Stick, back up important data and confirm that the Memory Stick does not contain files you want to keep.

- 1 Copy the data from the Memory Stick onto your hard disk drive to save data or images.
- 2 Format the Memory Stick by following the steps in **To format a Memory Stick (page 80)**.

Why can't I save music files onto my Memory Stick?

Copyright protected music can only be checked out to the Memory Stick with the MagicGate logo.

! Use of recorded music requires permission from the copyright holders.

Sony is not responsible for music files that cannot be recorded from a CD or downloaded from other sources.

Can I copy images from a digital camera using a Memory Stick?

Yes, and you can view video clips that you have recorded with Memory Stick-compatible digital cameras.

Why can't I write data to a Memory Stick?

Some versions of the Memory Stick are equipped with an erasure prevention switch to protect data from accidental erasure or overwriting. Make sure the erasure prevention switch is off.

Peripherals

What should I do if I cannot connect a USB device?

- ❑ If applicable, check the USB device is turned on and using its own power supply. For example, if you are using a digital camera, check if the battery is charged. If you are using a printer, check if the power cable is connected properly to the AC outlet.
- ❑ Try using another USB port on your computer. The driver could be installed to the specific port you used the first time you connected the device.
- ❑ See the manual that came with your USB device for more information. You may need to install software before you connect the device.
- ❑ Try connecting a simple, low-powered device such as a mouse to test if the port is working at all.
- ❑ USB hubs may prevent a device from working because of a power distribution failure. We recommend you connect the device directly to your computer without a hub.

Support Options

This section contains information on where to go for answers to questions about your VAIO computer.

Sony Support Information

See **Documentation (page 8)** for details on the printed and non-printed documentation supplied with your computer, as well as further sources of reference.

- Go to the help files that accompany your software for instructions on using the software.
- Use the search function in **Windows Help and Support** by pressing and holding the Microsoft Windows key and pressing the **F1** key.
- VAIO-Link web site:** If you have any problem with the computer, you can access the VAIO-Link web site for troubleshooting. Go to <http://www.vaio-link.com>.
- VAIO-Link help lines:** Before contacting VAIO-Link by telephone, try to solve the problem by reading the printed and non-printed documentation.
- Visit the other Sony web sites:
 - <http://www.club-vaio.com> if you want to know more about VAIO and become part of the growing VAIO community.
 - <http://www.sonystyle-europe.com> for online purchases.
 - <http://www.sony.net> for other Sony products.



You need to set up an Internet connection before you can access the online features described here.

Trademarks

Sony, VAIO, the VAIO logo, VAIO Control Center, VAIO Power Management, VAIO Power Management Viewer, VAIO Update, and "BRAVIA" are trademarks or registered trademarks of Sony Corporation.



and "Memory Stick," "Memory Stick Duo," "MagicGate," "OpenMG," "MagicGate Memory Stick," "Memory Stick PRO," "Memory Stick PRO-HG," "Memory Stick Micro," "M2," and the Memory Stick logo are trademarks or registered trademarks of Sony Corporation.

Walkman is a registered trademark of Sony Corporation.

Blu-ray Disc™ and the Blu-ray Disc logo are trademarks of the Blu-ray Disc Association.

Intel, Pentium, Intel SpeedStep, and Atom are trademarks or registered trademarks of Intel Corporation.

Microsoft Windows Vista, the Windows logo, and BitLocker are trademarks or registered trademarks of Microsoft Corporation in the U.S. and other countries.

i.LINK is a trademark of Sony used only to designate that a product contains an IEEE 1394 connection.

Roxio Easy Media Creator is a trademark of Sonic Solutions.

WinDVD for VAIO and WinDVD BD for VAIO are trademarks of InterVideo, Inc.


ArcSoft and the ArcSoft logo are registered trademarks of ArcSoft, Inc. ArcSoft WebCam Companion is a trademark of ArcSoft, Inc.

ATI and ATI Catalyst are trademarks of Advanced Micro Devices, Inc.

The Bluetooth word mark and logos are registered trademarks owned by Bluetooth SIG, Inc. and any use of such marks by Sony Corporation is under license. Other trademarks and trade names are those of their respective owners.

The ExpressCard word mark and logos are owned by the PCMCIA and any use of such marks by Sony Corporation is under license. Other trademarks and trade names are those of their respective owners.

SD Logo is a trademark. 

SDHC Logo is a trademark. 

CompactFlash® is a trademark of SanDisk Corporation.

MultiMediaCard™ is a trademark of MultiMediaCard Association.

HDMI, the HDMI logo and High-Definition Multimedia Interface are trademarks or registered trademarks of HDMI Licensing LLC.

"PlaceEngine" is a registered trademark of Koozyt, Inc.

"PlaceEngine" was developed by Sony Computer Science Laboratories, Inc. and is licensed by Koozyt, Inc.

 , "XMB," and "xross media bar" are trademarks of Sony Corporation and Sony Computer Entertainment Inc.

"AVCHD" is a trademark of Panasonic Corporation and Sony Corporation.

All other names of systems, products, and services are trademarks of their respective owners. In the manual, the ™ or ® marks are not specified.

Specifications are subject to change without notice. All other trademarks are trademarks of their respective owners.

Not all the software listed above may be delivered with your model.

See the online specifications to find out what software is available for your model.

