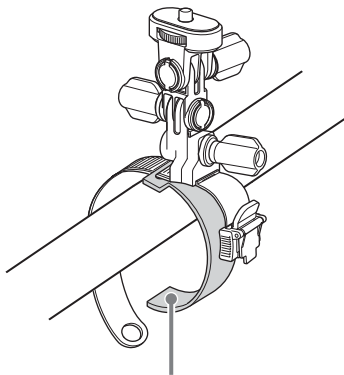


# SONY®

4-533-848-02(1)  
(BG-SI-HR-SR-LT-LV-EE)



Гланцова страна/Svetleča stran/Sjajna strana/  
Sjajna strana/Blizgi pusė/Spīdīgā puse/Läikiv pool



\* 4 5 3 3 8 4 8 0 2 \* (1)

© 2013 Sony Corporation