

## Wall-Mount Bracket

Installation Information	GB
Informations d'installation	FR
Información de instalación	ES
Installationsinformationen	DE
Installatie-informatie	NL
Informazioni sull'installazione	IT
Installationsinformation	SE
Informacje dotyczące instalacji	PL
Informações de instalação	PT
Oplysninger om montering	DK
Asennustiedot	FI
Installasjonsveiledning	NO
Πληροφορίες εγκατάστασης	GR
Montaj Bilgileri	TR
Szerelési információk	HU

Instalační informace	CZ
Informácie týkajúce sa montáže	SK
Informații de instalare	RO
Информация за монтаж	BG
Информация по установке	RU
Інформація про встановлення	UA
Raigaldusteave	EE
Uzstādīšanas informācija	LV
Montavimo informacija	LT
Navodila za uporabo	SI
Informacije za instalaciju	HR
Орнату ақпаратты	KZ
Informacije za montažu	SR
הוראות התקנה	HE

# Installation Information for Using Sony Wall-Mount Bracket (SU-WL450)

## Supported models:

**KD-55XD80□□\*/49XD83□□\*/49XD80□□\*/43XD83□□\*/  
43XD80□□\***

\* In the actual model names, the "□□" indicates numbers and/or characters specific to each model.

### To Customers

For product protection and safety reasons, Sony strongly recommends that installation of your TV be performed by Sony dealers or licensed contractors. Do not attempt to install it yourself.

### To Sony Dealers and Contractors

Provide full attention to safety during the installation, periodic maintenance and examination of this product.

Sufficient expertise is required for installing this product, especially to determine the strength of the wall for withstanding the TV's weight. Be sure to entrust the attachment of this product to the wall to Sony dealers or licensed contractors and pay adequate attention to safety during the installation. Sony is not liable for any damage or injury caused by mishandling or improper installation.

For Safety and proper installation, follow the Wall-mount Bracket Operation Instructions, TV Startup Guide and the directions in this manual.



## On Safety

Thank you for purchasing this product.

### To Customers

Sufficient expertise is required for installing this product. Be sure to subcontract the installation to Sony dealers or licensed contractors and pay special attention to safety during the installation. Sony is not liable for any damages or injury caused by mishandling or improper installation, or installing any other than the specified product. Your Statutory Rights (if any) are not affected.

### To Sony dealers

Sufficient expertise is required for installing this product. Be sure to read this instruction manual thoroughly to do the installation work safely. Sony is not liable for any damages or injury caused by mishandling or improper installation. Please give this manual to the customer after installation.

This instruction manual shows the correct handling of the product and important precautions necessary to prevent accidents. Be sure to read this manual thoroughly and use the product correctly. Keep this manual available for future reference.

Products by Sony are designed with safety in mind. If the products are used incorrectly, however, it may result in a serious injury through fire, electric shock, the product toppling over, or the product dropping. Be sure to observe the precautions for safety to prevent such accidents.

## CAUTION

### Specified products

This Wall-Mount Bracket is designed for use with the products specified TVs. For TVs, refer to their Reference Guide to verify that the Wall-Mount Bracket can be used.

## To Customers

### WARNING

If the following precautions are not observed, serious injury or death through fire, electric shock, or the product dropping can result.

### Be sure to subcontract the installation to licensed contractors and keep small children away during the installation.

If the Wall-Mount Bracket or the TV is not installed correctly, the following accidents may occur. Be sure licensed contractors carry out installation.

- The TV may fall and cause a serious injury such as a bruise or a fracture.
- If the wall on which the Wall-Mount Bracket is installed is unstable, uneven, or not perpendicular to the floor, the unit may fall and cause injury or property damage. The wall should be capable of supporting a weight of at least four times the TV weight.  
(Refer to your TV's Reference Guide for its weight.)
- If the installation of the Wall-Mount Bracket on the wall is not sufficiently sturdy, the unit may fall and cause injury or property damage.

### Be sure to subcontract moving or dismantling of the TV to licensed contractors.

If persons other than licensed contractors transport or dismount the TV, it may fall and cause injury or property damage. Be sure that two or more persons carry or dismount the TV.

### Do not remove screws, etc., after mounting the TV.

If you do so, the TV may fall and cause injury or property damage.

### Do not make alterations to the parts of the Wall-Mount Bracket.

If you do so, the Wall-Mount Bracket may fall and cause injury or property damage.

### Do not mount any equipment other than the specified product.

This Wall-Mount Bracket is designed for use with the specified product only. If you mount equipment other than specified, it may fall or break, and cause injury or property damage.

### Do not apply any load other than the TV on the Wall-Mount Bracket. Do not shake the TV left/right, up/down.

If you do so, the TV may fall and cause injury or property damage.

### Do not lean on or hang from the TV.

Do not lean on or hang from the TV as it may fall on you and cause serious injury.

## CAUTION

If the following precautions are not observed, injury or property damage may occur.

### Do not handle the product with excessive force during cleaning or maintenance.

Do not apply excessive force on the topside of the TV. If you do so, the TV may fall and cause injury or property damage.

## Precautions

- If you use the TV installed on the Wall-Mount Bracket for a long time, the wall behind or above the TV may become discolored or the wallpaper may come unstuck, depending on the material of the wall.
- If the Wall-Mount Bracket is removed after installing it on the wall, the screw holes are left.
- Do not use the Wall-Mount Bracket in a place where it is subjected to mechanical vibrations.

## Installing the Wall-Mount Bracket

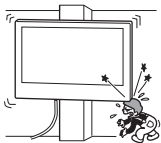
### To Sony Dealers

### WARNING

The following instructions are for Sony dealers only. Be sure to read safety precautions described above and pay special attention to safety during the installation, maintenance and checking of this product.

### Do not install the Wall-Mount Bracket on wall surfaces where the corners or the sides of the TV protrude away from the wall surface.

Do not install the Wall-Mount Bracket on wall surfaces such as a pillar, where the corners or the sides of the TV protrude away from the wall surface. If a person or object happens to hit the protruded corner or side of the TV, it may cause injury or property damage.

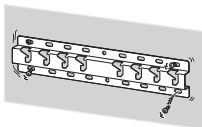


**Do not install the TV over or under an air-conditioner.**

If the TV is exposed to water leaks or air current from an air conditioner for a long time, it may cause a fire, an electric shock or a malfunction of the TV.

**Be sure to install the Wall-Mount Bracket securely to the wall following the instructions in this instruction manual.**

If any of the screws are loose or fall out, the Wall-Mount Bracket may fall and cause injury or property damage. Be sure to use the appropriate screws for the material of the wall and install the unit securely using four or more screws of 8 mm diameter (or equivalent).



**Be sure to use the supplied screws and attachment parts properly following the instructions given in this instruction manual. If you use substitute items, the TV may fall and cause bodily injury to someone or damage to the TV.**

**Be sure to assemble the bracket properly following the instructed procedure explained in this instruction manual.**

If any of the screws are loose or fall out, the TV may fall and cause bodily injury to someone or damage to the TV.

**Be sure to tighten the screws securely in the designated position.**

If you fail to do so, the TV may fall and cause bodily injury to someone or damage to the TV.

**Be careful not to subject the TV to shock during installation.**

If the TV is exposed to shock, it may fall or break apart. This may cause injury.

**Be sure to install the TV on a wall that is both perpendicular and flat.**

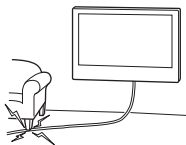
If you fail to do so, the TV may fall and cause injury.

**After proper installation of the TV, secure the cables properly.**

If people or objects get tangled with cables, this may result in injury or damage to the TV.

**Do not allow the AC power cord or the connecting cable to be pinched.**

If the AC power cord or the connecting cable is pinched between the unit and the wall or is bent or twisted by force, the internal conductors may become exposed and cause a short circuit or an electrical break. This may cause a fire or an electric shock.



**The screws needed to secure the Wall-Mount Bracket to the wall are not supplied.**

Use the appropriate screws for the wall material and structure when mounting the Wall-Mount Bracket.

## Installing the TV onto the wall

Installation procedure differs, depending on your TV.

Use the Wall-Mount Bracket SU-WL450 to install the TV to the wall.

### Note

- Be sure to store the removed screws in a safe place, keeping them away from children.

## Preparing for installation

- Have the TV's Reference Guide at hand before installation.
- Be sure to have a Phillips screwdriver that fits the screws prior to the assembly.
- Confirm the installing position of your TV.
- Prepare four or more screws of 8 mm diameter and one screw of 5 mm or equivalent (not supplied). Select screws suitable for the material of the wall.

## Checking the parts

### Supplied with SU-WL450

- Verify that all the parts are included.

<b>(A)</b> Base (20) (1) 	<b>(B)</b> Pulley (2) 
<b>(C)</b> PSW 6x20 (4) 	<b>(D)</b> PSW 4x20 with Bush (2) 
<b>(E)</b> Spacer (20) (2) 	<b>(F)</b> Belt (1) 
<b>(G)</b> Bush (20) (M4) (2) 	<b>(H)</b> PSW 4x20 (2) 
<b>(I)</b> Base Adaptor (2) 	<b>(J)</b> PSW 4x10 (8) 
<b>(K)</b> Spacer (60) (2) 	<b>(L)</b> PSW 6x50 (2) 
<b>(M)</b> Bush (M4) (2) 	<b>(N)</b> PSW 4x50 (2) 
<b>(O)</b> Wall-Mount Attachment (S) (2) 	<b>(P)</b> Spacer (2) 
<b>(Q)</b> Washer (1) 	<b>(R)</b> PSW 5x12 (1) 

### Supplied with the TV (attached to rear)

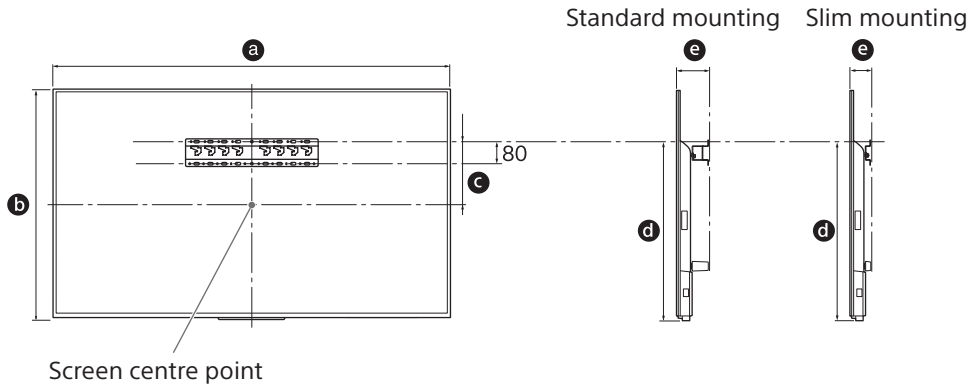
Cable holder (1) 
----------------------

# Deciding on the installation location

## 1 Decide on the installation location.

Make sure that the wall has enough space for the TV and is capable of supporting a weight of at least four times that of the TV.

Refer to the following table on installing the TV to the wall. Refer to your TV's Reference Guide for the TV's weight.



Unit: mm

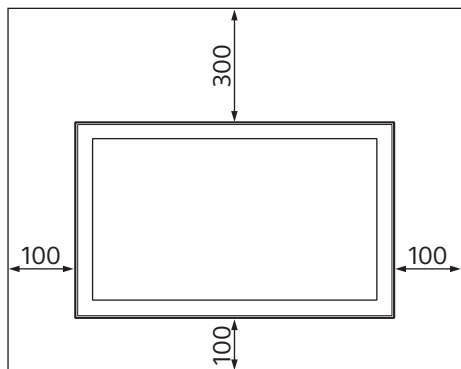
Model Name KD-	Display dimensions		Screen centre dimension	Length for mounting		
	a	b	c	d	e	
					Standard mounting	Slim mounting
55XD80□□	1,231	717	129	494	102	60
49XD83□□ 49XD80□□	1,093	639	181	508	102	60
43XD83□□	960	564	209	498	108	66
43XD80□□	960	564	209	498	107	65

### Note

- Figures in the table may differ slightly depending on the installation.

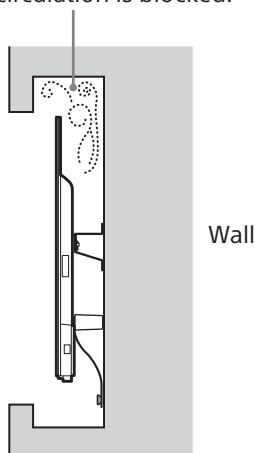
Allow for suitable clearance between the TV and the ceiling and protruding parts of the wall as shown below.

Unit: mm



- To ensure proper ventilation and prevent the collection of dirt or dust:
  - Do not lay the TV set flat, install upside down, backwards, or sideways.
  - Do not place the TV set on a shelf, rug, bed or in a closet.
  - Do not cover the TV set with a cloth, such as curtains, or items such as newspapers, etc.
  - Do not install the TV set as shown below.

Air circulation is blocked.



#### Note

- If you intend to route the cables in the wall, make a hole in the wall to insert the cables before beginning the installation.  
To prevent pinching the cables, prepare a hole in the wall somewhere outside the perimeter of the Base (20) (A), Base Adaptor (I) and Spacer (20) (E), Spacer (60) (K).

2 Select Wall mounting style. It is selectable as shown below.

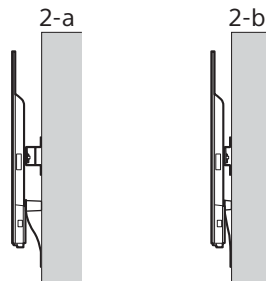
2-a Standard mount

2-b Slim mount

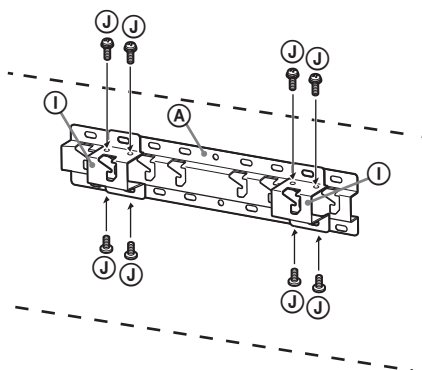
Refer to the table of step 1.

#### WARNING

- When 2-b is selected, rear terminal access is limited.



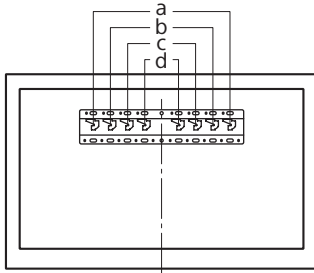
Fit Base Adaptor (I) by using Screw (PSW 4x10) (J) to Base (20) (A) when selecting 2-a.



GB

- 3 Refer to the below table about the Base Adaptor fitting location. In case of selecting 2-b, then skip this step.

Model Name KD-	Hook location
55XD80□□ 49XD83□□ 49XD80□□	c
43XD83□□ 43XD80□□	d



- 4 Decide the positions of the screws for installing the Base (20) (A).

Refer to the specifications on page 12.

**When selecting 2-a, please use the hole positions of Base Adaptor (I).**

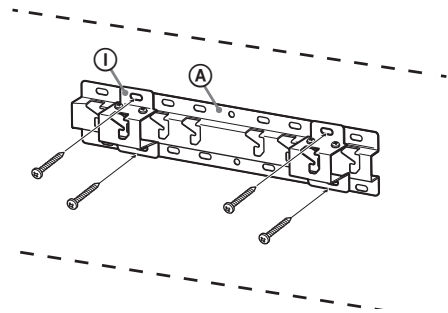
**WARNING**

- The wall that the TV will be mounted on should be able to support a weight of at least **four times** that of the TV (Refer to your TV's Reference Guide for its weight.).
- Determine the strength of the wall the TV will be mounted on. Reinforce the wall sufficiently, if necessary.

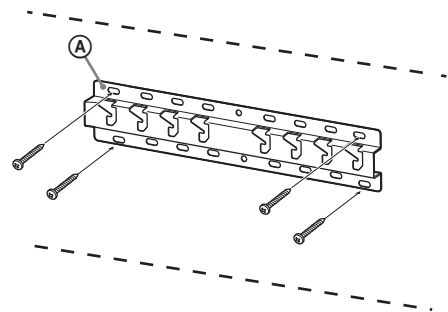
## Installing the Base on the wall

- Use four or more screws of 8 mm diameter or equivalent (not supplied).
- **Fit four screws to the holes of Base Adaptor (I) with Base (20) (A) (2-a only).**
- Install the Base (20) (A) on the wall horizontally.

2-a

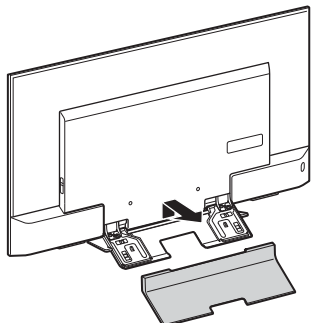


2-b



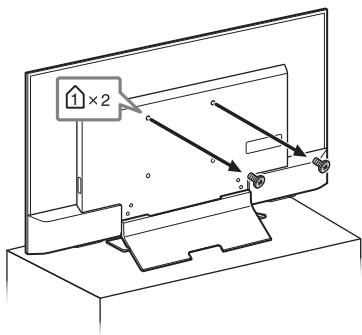
## Preparing for the installation of the TV

- 1 Remove the stand cover.  
(KD-55XD80□□ only)

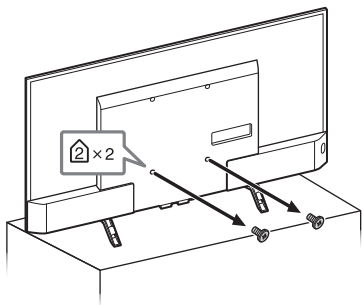


- 2 Remove the screws from the rear of the TV.

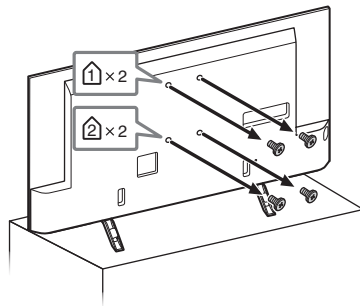
KD-55XD80□□



KD-49XD83□□/49XD80□□



KD-43XD83□□/43XD80□□

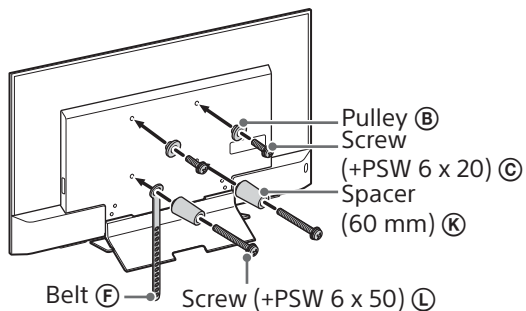


- 3 Attach the Attachment parts for Wall-Mount Bracket. Check the Attachment parts by referring to "Supplied with SU-WL450" in "Checking the parts" on page 5.

### Note

- Firmly secure the Attachment parts using screws.
- When using an electric screwdriver, set the torque setting to approximately 1.5 N·m {15 kgf·cm}.
- Be sure to store the unused parts in a safe place for future use. Retain this manual for future reference.

### Standard mounting (2-a)

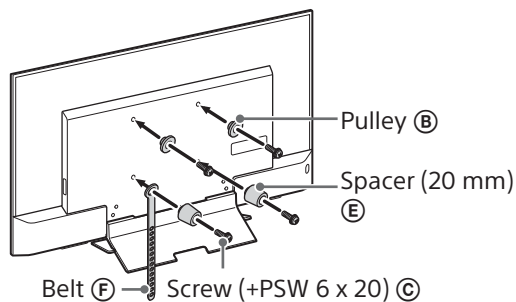
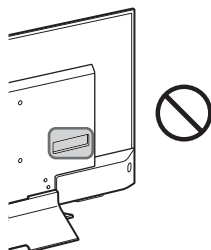


GB

## Slim mounting (2-b)

### Note

- You cannot use some of the terminals on the rear of the TV when using this mounting style.

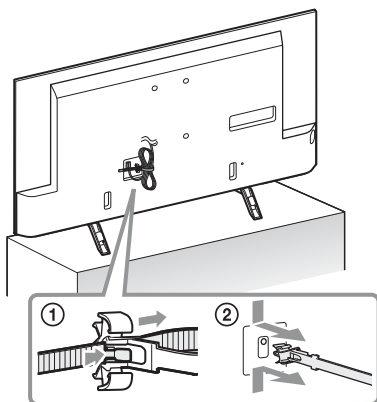


## 4 Connect the necessary cable(s) to the TV.

Make sure to connect the cables before installing the TV on the wall. You will be unable to connect the cables when the TV is installed.

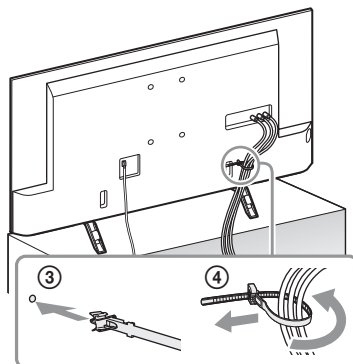
Refer to the Reference Guide supplied with your TV.

## 5 Detach the cable holder (supplied with the TV). (KD-43XD83□□/43XD80□□ only)



## 6 Bundle the cables.

For KD-43XD83□□/43XD80□□, attach the cable holder to one of the inner holes.

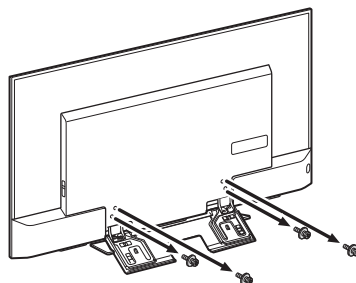


### Note

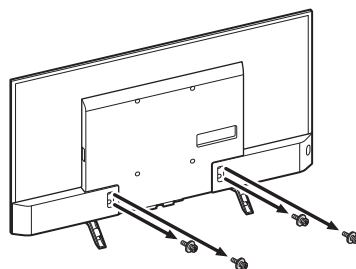
- Subcontract the cable routing in the wall to a licensed contractor.
- Bundle the connecting cables to prevent stepping on them before wall mounting.

## 7 Detach the Table-Top Stand from the TV.

**KD-55XD80□□ only**



**Except KD-55XD80□□**



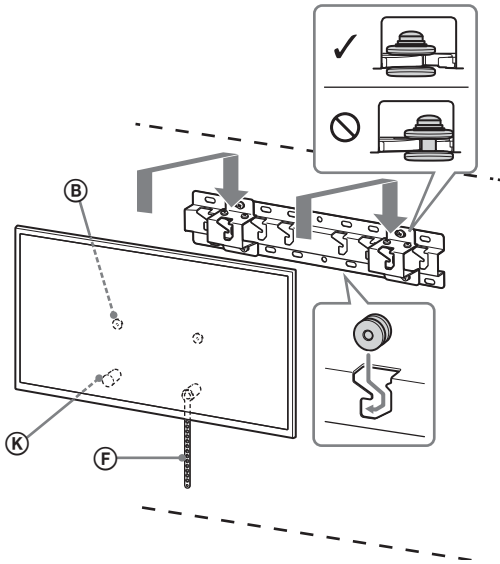


# Installing the TV on the wall

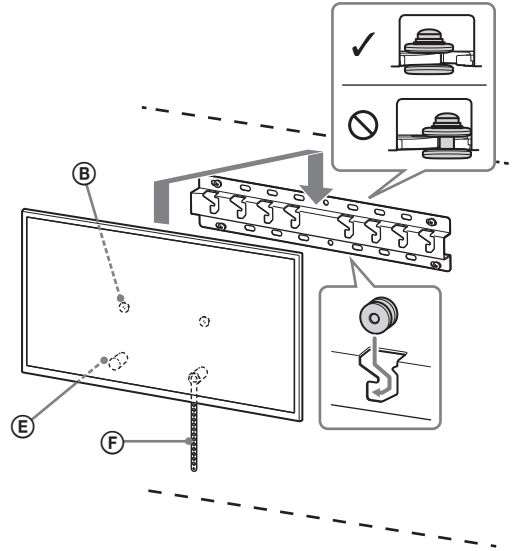
## 1 Install the TV onto the Base.

- For the location of the Pulleys (B) to the hang on the Base, refer to the table of step 3 in “Deciding on the installation location” on page page 8.
- Hold the TV securely with both hands and gently hang the Pulleys (B) attached to the rear of the TV to the Base, making sure to confirm the shape of the holes.
- After installing the TV on the wall, confirm the Pulleys (B) are firmly latched into the Base or Base Adaptor.

2-a



2-b

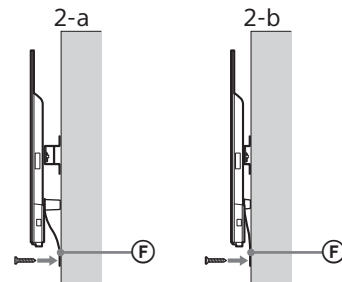


### WARNING

- Be sure that two or more persons hold the TV when carrying it.

## 2 Preventing the bottom of the TV from shifting.

- Take up the slack of Belt (F) and attach it to the wall tightly.



- Use a 5 mm diameter screw or equivalent (not supplied).

### Note

- Try to pull the bottom of the TV forwards yourself slightly, to make sure that it does not move forward. If there is any movement, it is not fixed correctly, and the Belt (F) should be secured firmly again.

## Confirming the completion of the installation

Check the following points.

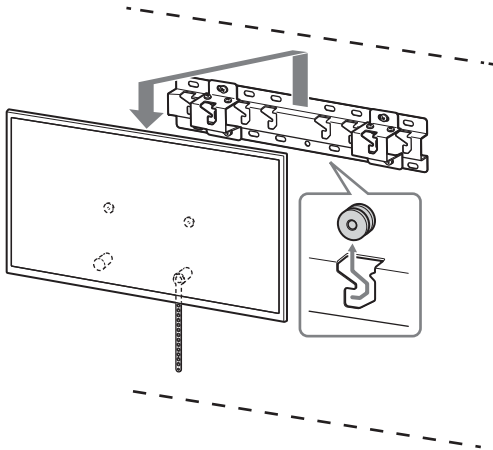
- The Pulleys ⑧ are firmly hung onto the Base or Base Adaptor.
- The cord and the cable are not twisted or pinched.
- The Belt ⑨ is tight with no slack.

### WARNING

- Improper placement of the AC power cord, etc. may cause fire or electric shock through a short circuit. Be sure to confirm the completion of the installation for safety.

## Other information

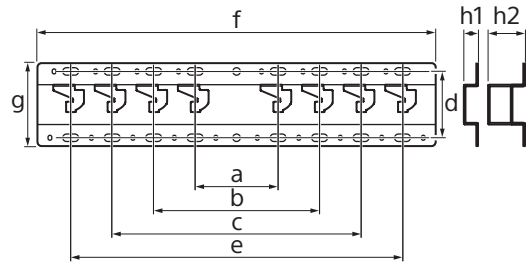
When removing the TV, reverse the previous installation procedure.



### WARNING

- Be sure that two or more persons hold the TV when removing it.

## Specifications



### Dimensions: (Approx.) [mm]

- a : 100
- b : 200
- c : 300
- d : 80
- e : 400
- f : 480
- g : 100

h1 : 20 (case 2-b)

h2 : 60 (case 2-a)

### Weight (base only): (Approx.) [kg]

0.8

Design and specifications are subject to change without notice.

# Informations d'installation pour l'utilisation du support de fixation murale Sony (SU-WL450)

## Modèles pris en charge :

**KD-55XD80□□\*/49XD83□□\*/49XD80□□\*/43XD83□□\*/  
43XD80□□\***

\* Dans les noms de modèle réels, « □□ » indique des chiffres et/ou des caractères propres à chaque modèle.

### À l'attention des clients

Pour des raisons de sécurité et de protection du produit, Sony recommande vivement de confier l'installation de votre téléviseur à des revendeurs ou installateurs agréés Sony. N'essayez pas de l'installer vous-même.

### A l'attention des installateurs et revendeurs Sony

Soyez particulièrement attentif à la sécurité pendant l'installation, l'entretien périodique et l'examen du produit.

L'installation de ce produit exige un certain savoir-faire, notamment pour vérifier la résistance du mur qui devra soutenir le poids du téléviseur. Veillez à confier la fixation de ce produit au mur à des revendeurs ou installateurs agréés Sony et portez une attention suffisante aux consignes de sécurité pendant l'installation. Sony ne saurait être tenue responsable de tout dommage ou de toute blessure découlant d'une mauvaise utilisation ou d'une installation incorrecte.

Pour une installation sûre et correcte, suivez le Mode d'emploi du support de fixation murale, le Guide de démarrage du téléviseur et les instructions de ce manuel.

## Sécurité

Nous vous remercions d'avoir fait l'acquisition de ce produit.

### À l'attention des clients

L'installation de ce produit exige un certain savoir-faire. Veillez à confier l'installation à des revendeurs Sony ou à des installateurs agréés et portez une attention particulière aux consignes de sécurité pendant l'installation. Sony ne saurait être tenue responsable de tout dommage ou de toute blessure découlant d'une mauvaise utilisation ou d'une installation incorrecte, ou encore de l'installation d'un produit autre que celui spécifié. Vos droits légaux (éventuels) ne sont pas affectés.

### À l'attention des détaillants Sony

L'installation de ce produit exige un certain savoir-faire. Lisez ce mode d'emploi attentivement afin de procéder à l'installation en toute sécurité. Sony ne saurait être tenue responsable de tout dommage ou de toute blessure découlant d'une mauvaise utilisation ou d'une installation incorrecte. Une fois l'installation terminée, veuillez remettre ce manuel d'installation au client.

Ce mode d'emploi indique comment manipuler le produit correctement et contient des précautions essentielles à prendre pour éviter tout accident. Lisez attentivement ce mode d'emploi et veillez à utiliser le produit correctement. Conservez ce mode d'emploi pour toute référence ultérieure.

Les produits Sony sont conçus pour vous offrir le maximum de sécurité. Toutefois, si les produits sont utilisés de façon incorrecte, ils peuvent entraîner des blessures graves en provoquant un incendie ou l'électrocution, ou encore la chute de l'appareil hors de son support. Veillez à observer les consignes de sécurité préconisées pour éviter de tels accidents.

## ATTENTION

### Produits spécifiés

Ce support de fixation murale est conçu pour être utilisé avec les téléviseurs spécifiés. Pour plus d'informations sur les téléviseurs, reportez-vous à leur Guide de référence pour vous assurer que vous pouvez bien utiliser le support de fixation murale.

## À l'attention des clients

### AVERTISSEMENT

Le non-respect des consignes suivantes peut être fatal ou entraîner des blessures graves en provoquant un incendie, l'électrocution ou la chute de l'appareil.

### Veillez à confier l'installation à du personnel agréé en tenant les petits enfants à l'écart pendant l'installation.

Si le support de fixation murale ou le téléviseur n'est pas installé correctement, les accidents suivants peuvent se produire. Veillez à confier l'installation à des installateurs agréés.

- Le téléviseur peut tomber et causer des blessures graves comme des hématomes ou des fractures.
- Si le mur sur lequel le support de fixation murale est fixé est instable, inégal ou non perpendiculaire au sol, l'appareil risque de tomber et de provoquer des blessures ou des dommages matériels. Le mur doit pouvoir supporter un poids équivalent à au moins quatre fois celui du téléviseur. (Pour connaître le poids du téléviseur, reportez-vous à son Guide de référence.)
- Si l'installation du support de fixation murale n'est pas assez solide, l'appareil risque de tomber et de provoquer des blessures ou des dommages matériels.

### Veillez à confier le déplacement ou le démontage du téléviseur à des installateurs agréés.

Si des personnes autres que des installateurs agréés transportent ou démontent le téléviseur, celui-ci peut tomber et provoquer des blessures ou des dommages matériels. Deux personnes au moins doivent porter ou démonter le téléviseur.

### Ne retirez pas les vis, etc. après l'installation du téléviseur.

Dans ce cas, le téléviseur pourrait tomber et provoquer des blessures ou des dommages matériels.

### Ne modifiez pas les pièces du support de fixation murale.

Dans ce cas, le support de fixation murale pourrait tomber et provoquer des blessures ou des dommages matériels.

### N'installez aucun appareil autre que ceux spécifiés.

Ce support de fixation murale est conçu pour être utilisé avec les produits spécifiés uniquement. Si vous installez un appareil autre que ceux qui sont spécifiés, il pourrait tomber ou se briser et provoquer des blessures ou des dommages matériels.

### N'installez aucune charge autre que le téléviseur sur le support de fixation murale.

### Ne secouez pas le téléviseur vers la gauche/droite, le haut/bas.

Dans ce cas, le téléviseur pourrait tomber et provoquer des blessures ou des dommages matériels.

### Ne vous appuyez pas sur le téléviseur et ne vous y suspendez pas.

Ne vous appuyez pas sur le téléviseur et ne vous y suspendez pas, car il risque de tomber et de causer des blessures graves.

## ATTENTION

Le non-respect des consignes suivantes peut entraîner des blessures ou des dommages matériels.

### N'appliquez aucune force excessive sur le produit au cours de l'entretien ou du nettoyage de l'appareil.

N'exercez aucune pression excessive sur le dessus du téléviseur. Dans ce cas, le téléviseur pourrait tomber et provoquer des blessures ou des dommages matériels.

## Précautions

- Si vous utilisez le téléviseur fixé au support de fixation murale pendant une longue période, le mur situé derrière le téléviseur ou au-dessus de celui-ci peut se décolorer, ou encore le papier peint peut se décoller, selon le matériau du mur.
- Les trous des vis restent apparents si vous démontez le support de fixation murale après son installation.
- N'utilisez pas le support de fixation murale dans un endroit soumis à des vibrations mécaniques.

## Installation du support de fixation murale

### À l'attention des détaillants Sony

## AVERTISSEMENT

Les instructions suivantes concernent les détaillants Sony uniquement. Lisez attentivement les consignes de sécurité ci-dessus et accordez une attention particulière à la sécurité lors de l'installation, de l'entretien et de la vérification de ce produit.

## **N'installez pas le support de fixation murale sur une surface où les coins ou les côtés du téléviseur dépasseraient.**

N'installez pas le support de fixation murale sur une surface verticale telle qu'une colonne, où les coins ou les côtés du téléviseur dépasseraient de la surface murale. Si une personne ou un objet venait à heurter le coin ou les côtés du téléviseur, ceci risquerait de provoquer des blessures ou des dommages matériels.

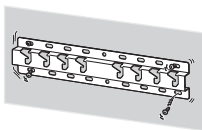


## **N'installez pas le téléviseur sur ou sous un climatiseur.**

L'exposition prolongée du téléviseur à des fuites d'eau ou à des courants d'air provenant du climatiseur pourrait provoquer un incendie, l'électrocution ou des problèmes de fonctionnement du téléviseur.

## **Veillez à installer le support de fixation murale solidement en suivant les instructions de ce mode d'emploi.**

S'il manque des vis ou si elles sont desserrées, le support de fixation murale pourrait tomber et provoquer des blessures ou des dommages matériels. Veillez à utiliser les vis appropriées selon le matériau du mur et installez le téléviseur solidement en utilisant au moins quatre vis de 8 mm de diamètre (ou équivalentes).



**Veillez à utiliser correctement les vis et les pièces de fixation fournies conformément aux instructions du mode d'emploi. Si vous utilisez d'autres éléments de fixation, le téléviseur pourrait tomber et causer des blessures corporelles ou être endommagé.**

## **Veillez à monter le support correctement en suivant la procédure décrite dans ce mode d'emploi.**

S'il manque des vis ou si elles sont desserrées, le téléviseur pourrait tomber et causer des blessures corporelles ou être endommagé.

## **Veillez à serrer les vis solidement dans la position indiquée.**

Si vous oubliez, le téléviseur pourrait tomber et causer des blessures corporelles ou être endommagé.

## **Veillez à ne pas soumettre le téléviseur à des chocs pendant l'installation.**

Si le téléviseur subit des chocs, il pourrait tomber ou se briser. Ceci pourrait causer des blessures.

## **Veillez à installer le téléviseur sur un mur parfaitement vertical et plat.**

Dans le cas contraire, le téléviseur pourrait tomber et provoquer des blessures.

## **Une fois le téléviseur installé correctement, fixez solidement les câbles.**

Si des personnes ou des objets s'accrochent aux câbles, ceci risque de provoquer des blessures ou d'endommager le téléviseur.

## **Veillez à ce que le cordon d'alimentation CA ou le câble de raccordement ne soit pas coincé ni écrasé.**

Si le cordon d'alimentation CA ou le câble de raccordement est coincé entre l'appareil et le mur, ou s'il est plié ou tordu, les conducteurs internes peuvent être exposés et provoquer un court-circuit ou une coupure électrique. Un incendie ou l'électrocution pourrait en résulter.



## **Les vis nécessaires à l'installation du support de fixation murale au mur ne sont pas fournies.**

Utilisez les vis appropriées selon le matériau et la structure du mur lors du montage du support de fixation murale.

## Installation du téléviseur au mur

La procédure d'installation varie selon votre téléviseur.

Utilisez le support de fixation murale SU-WL450 pour installer le téléviseur sur le mur.

### Remarque

- Les vis que vous retirez doivent être rangées en lieu sûr, hors de portée des enfants.

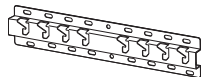











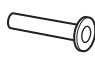

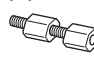



## Préparation de l'installation

- Gardez le Guide de référence du téléviseur à portée de main avant l'installation.
- Avant de procéder au montage, vérifiez que vous disposez d'un tournevis cruciforme adapté aux vis.
- Vérifiez la position d'installation de votre téléviseur.
- Préparez au moins quatre vis de 8 mm de diamètre et une vis de 5 mm ou équivalente (non fournies). Choisissez des vis adaptées au matériau du mur.

## Vérification des pièces

### Fournies avec le SU-WL450

- Vérifiez que vous disposez de toutes les pièces.

<b>A</b> Base (20) (1) 	<b>B</b> Poulie (2) 
<b>C</b> PSW 6x20 (4) 	<b>D</b> PSW 4x20 avec douille (2) 
<b>E</b> Entretoise (20) (2) 	<b>F</b> Courroie (1) 
<b>G</b> Manchon (20) (M4) (2) 	<b>H</b> PSW 4x20 (2) 
<b>I</b> Adaptateur de base (2) 	<b>J</b> PSW 4x10 (8) 
<b>K</b> Entretoise (60) (2) 	<b>L</b> PSW 6x50 (2) 
<b>M</b> Manchon (M4) (2) 	<b>N</b> PSW 4x50 (2) 
<b>O</b> Fixation murale (S) (2) 	<b>P</b> Entretoise (2) 
<b>Q</b> Rondelle (1) 	<b>R</b> PSW 5x12 (1) 

### Fournies avec le téléviseur (fixées à l'arrière)

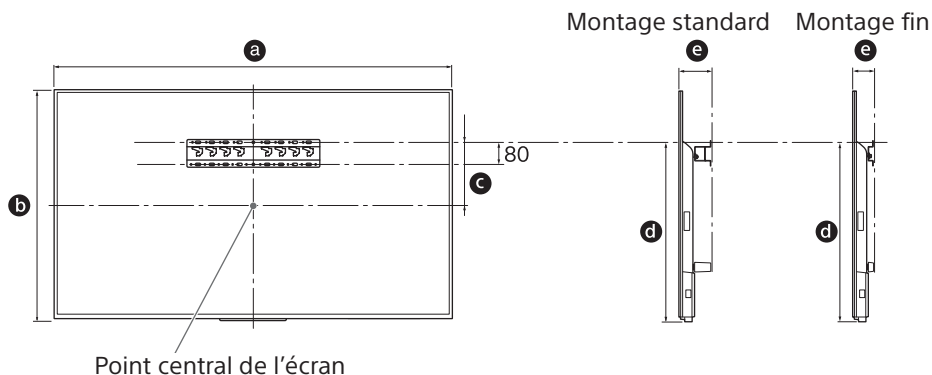
Support de câble (1) 
---

# Choix de l'emplacement d'installation

## 1 Choisissez l'emplacement d'installation.

Assurez-vous que le mur dispose d'un espace suffisant pour le téléviseur et qu'il peut supporter un poids équivalent à au moins quatre fois celui du téléviseur.

Reportez-vous au tableau suivant lorsque vous installez le téléviseur au mur. Pour connaître le poids du téléviseur, reportez-vous à son Guide de référence.



Unité : mm

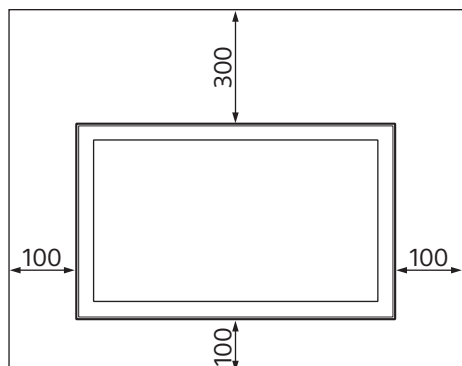
Nom du modèle KD-	Dimensions d'affichage		Dimension du centre écran	Longueur de montage		
	a	b	c	d	e	
					Montage standard	Montage fin
55XD80□□	1 231	717	129	494	102	60
49XD83□□ 49XD80□□	1 093	639	181	508	102	60
43XD83□□	960	564	209	498	108	66
43XD80□□	960	564	209	498	107	65

### Remarque

- Les chiffres repris dans le tableau peuvent varier légèrement selon l'installation.

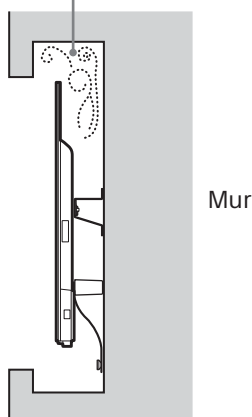
Prévoyez un espace suffisant entre le téléviseur et le plafond ainsi que les parties saillantes du mur, tel qu'indiqué ci-dessous.

Unité : mm



- Pour assurer une bonne ventilation et éviter l'accumulation de poussière et de saleté :
  - Ne posez pas le téléviseur à plat et ne l'installez pas tête en bas, à l'envers ou de biais.
  - Ne placez pas le téléviseur sur une étagère, un tapis, un lit ou dans une armoire.
  - Ne recouvrez pas le téléviseur avec du tissu, notamment des tentures, ou des objets tels qu'un journal, etc.
  - N'installez pas le téléviseur de la manière illustrée ci-dessous.

La circulation d'air est bloquée.



### Remarque

- Si vous envisagez d'acheminer les câbles à travers la paroi murale, percez un trou dans le mur et insérez-y les câbles avant de procéder à l'installation. Pour ne pas pincer les câbles, préparez un trou dans le mur, en dehors du périmètre de la base (20) **A**, Adaptateur de base ① et de l'entretoise (20) **E**, de l'entretoise (60) **R**.

2 Sélectionnez le style de fixation murale. Il est possible de sélectionner la distance entre l'arrière du téléviseur et le mur comme indiqué ci-dessous.

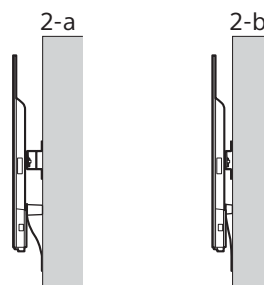
### 2-a Montage standard

### 2-b Montage fin

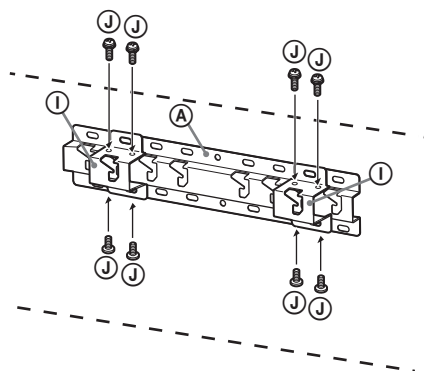
Reportez-vous au tableau de l'étape 1.

### AVERTISSEMENT

- Lorsque 2-b est sélectionné, l'accès à la borne arrière est limité.



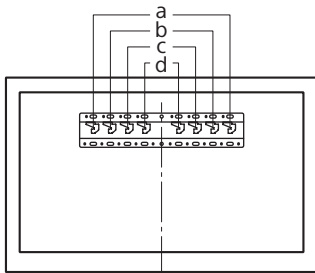
Montez l'adaptateur de base ① avec les vis (PSW 4x10) **J** sur la base (20) **A** lors de la sélection de 2-a.





- 3** Reportez-vous au tableau ci-dessous pour connaître l'emplacement de montage de l'adaptateur de base. Lors de la sélection de 2-b, omettez cette étape.

Nom du modèle KD-	Emplacements des crochets
55XD80□□ 49XD83□□ 49XD80□□	c
43XD83□□ 43XD80□□	d



- 4** Déterminez les positions des vis pour l'installation de la base (20) (A).

Reportez-vous aux spécifications de la page 12.

**Lors de la sélection de 2-a, utilisez les positions des orifices de l'adaptateur de base (I).**

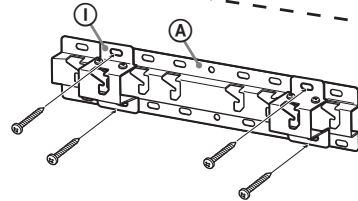
#### AVERTISSEMENT

- Le mur sur lequel vous installez le téléviseur doit pouvoir supporter un poids équivalent à au moins **quatre fois** celui du téléviseur (Pour connaître le poids du téléviseur, reportez-vous à son Guide de référence.).
- Déterminez la solidité du mur sur lequel vous allez installer le téléviseur. Au besoin, renforcez suffisamment le mur.

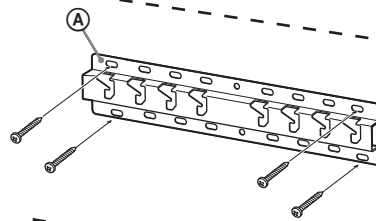
## Installation de la base au mur

- Utilisez au moins quatre vis de 8 mm de diamètre ou équivalentes (non fournies).
- Insérez quatre vis dans les orifices de l'adaptateur de base (I) avec la base (20) (A) (2-a seule).**
- Installez la base (20) (A) au mur à l'horizontale.

2-a

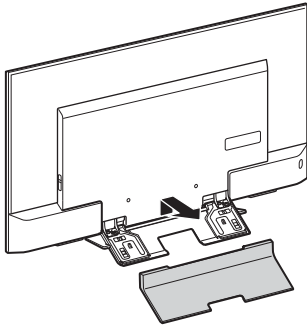


2-b



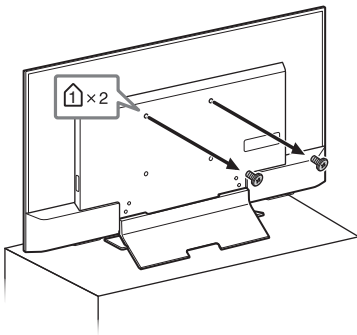
## Préparation à l'installation du téléviseur

- 1 Retirez le couvercle du support.  
(KD-55XD80□□ seulement)

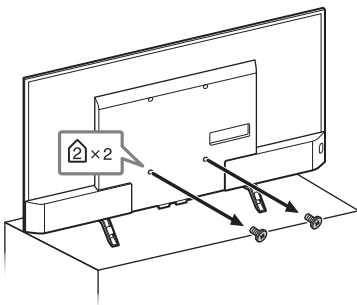


- 2 Retirez les vis à l'arrière du téléviseur.

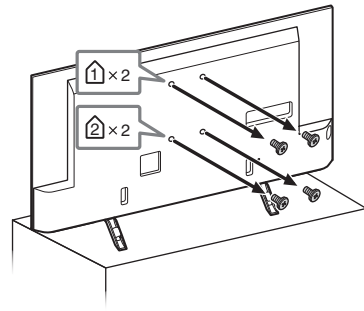
KD-55XD80□□



KD-49XD83□□/49XD80□□



KD-43XD83□□/43XD80□□

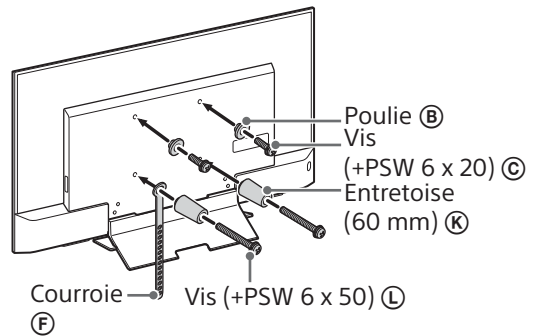


- 3 Installez les pièces de fixation du support de fixation murale. Vérifiez les pièces de fixation en vous reportant à la section « Fournies avec le SU-WL450 » sous « Vérification des pièces » à la page 5.

### Remarque

- Fixez convenablement les pièces de fixation à l'aide des vis.
- Si vous utilisez un tournevis électrique, réglez son couple sur 1,5 N·m (15 kgf·cm) environ.
- Veillez à ranger en lieu sûr les pièces superflues en vue de leur utilisation ultérieure. Conservez ce manuel pour toute référence ultérieure.

### Montage standard (2-a)

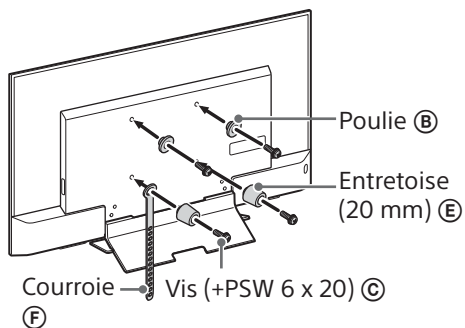
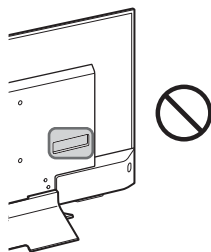


FR

## Montage fin (2-b)

### Remarque

- Ce type de montage ne permet pas d'utiliser certaines bornes situées à l'arrière du téléviseur.

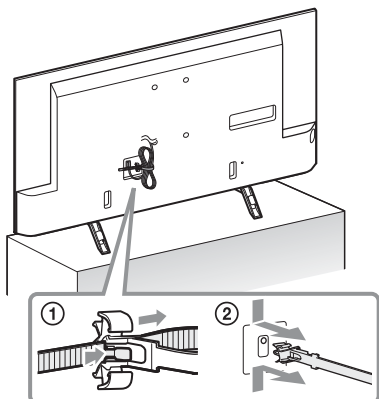


## 4 Raccordez le(s) câble(s) requis au téléviseur.

Veillez à raccorder les câbles avant d'installer le téléviseur au mur. Vous ne pourrez plus raccorder les câbles une fois le téléviseur installé.

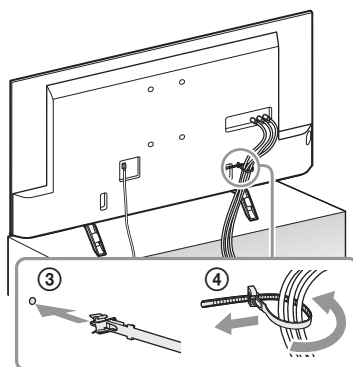
Reportez-vous au Guide de référence fourni avec le téléviseur.

## 5 Retirez le support de câble (fourni avec le téléviseur). (KD-43XD83□□/43XD80□□ seulement)



## 6 Rassemblez les câbles.

Pour le KD-43XD83□□/43XD80□□, fixez le support de câble à un des orifices internes.

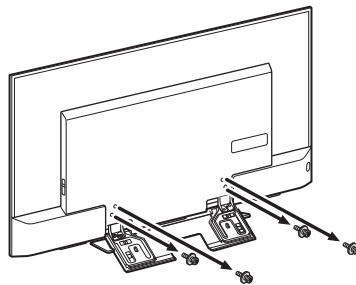


### Remarque

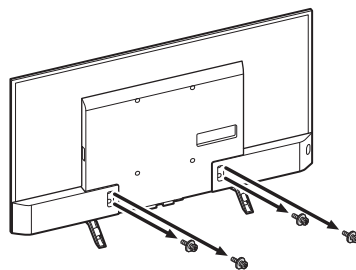
- Confiez l'acheminement du câble dans le mur à un installateur agréé.
- Avant l'installation au mur, regroupez les câbles de raccordement afin d'éviter de les piétiner.

## 7 Détachez le support de table du téléviseur.

### KD-55XD80□□ seulement



### Sauf KD-55XD80□□

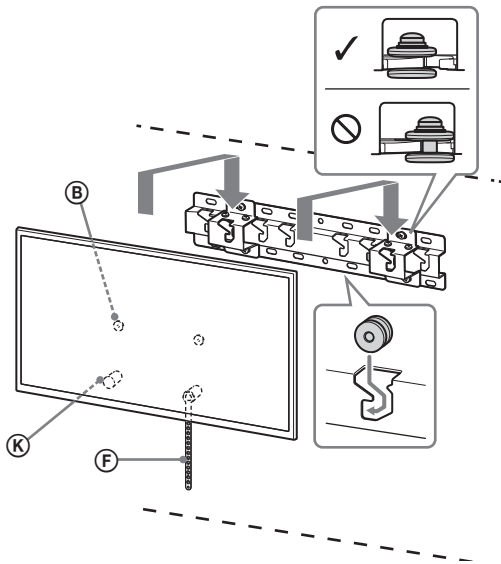


# Installation du téléviseur au mur

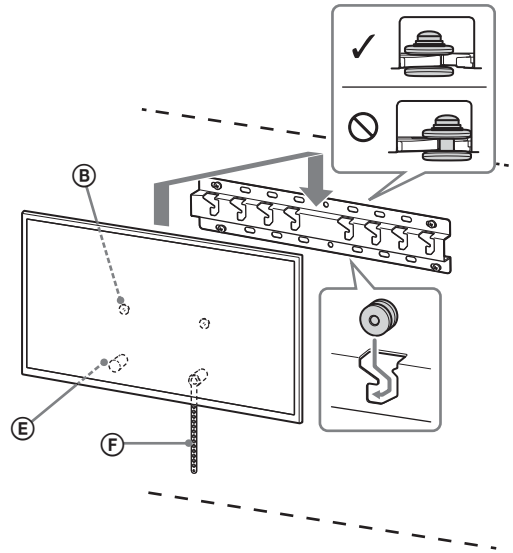
## 1 Installez le téléviseur sur la base.

- Pour connaître l'emplacement des poulies **(B)** auxquelles accrocher la base, reportez-vous au tableau de l'étape 3 de la section « Choix de l'emplacement d'installation » à la page 8.
- Maintenez fermement le téléviseur avec les deux mains et accrochez délicatement les poulies **(B)** fixées à l'arrière du téléviseur à la base, en veillant à vérifier la forme des trous.
- Après avoir installé le téléviseur au mur, vérifiez que les poulies **(B)** sont fermement enclenchées dans la base ou l'adaptateur de base.

2-a



2-b

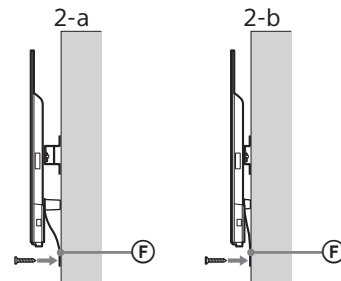


### AVERTISSEMENT

- Assurez-vous qu'au moins deux personnes maintiennent le téléviseur lors de son transport.

## 2 Maintien en place du dessous du téléviseur.

- Supprimez le jeu de la courroie **(F)** et attachez-la solidement au mur.



- Utilisez une vis de 5 mm de diamètre ou équivalente (non fournie).

### Remarque

- Essayez de tirer légèrement le dessous du téléviseur vers vous pour vous assurer qu'il n'avance pas. S'il a du mouvement, cela signifie qu'il n'est pas fixé correctement et qu'il faut à nouveau fixer solidement la courroie **(F)**.

FR

## Vérification de l'achèvement de l'installation

Vérifiez les points suivants.

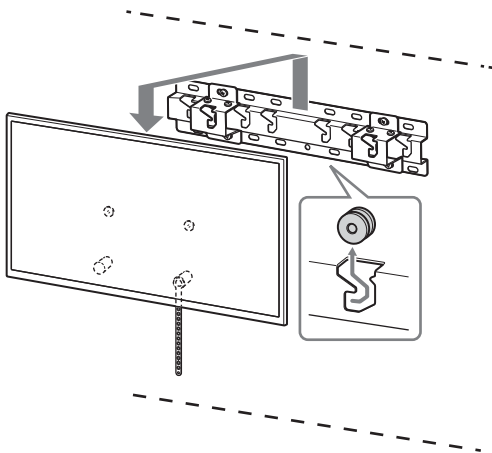
- Les poulies **(B)** sont solidement accrochées à la base ou à l'adaptateur de base.
- Le cordon et le câble ne sont pas tordus ou coincés.
- La courroie **(F)** est bien tendue.

### AVERTISSEMENT

- Si le cordon d'alimentation CA ou autre n'est pas correctement installé, un court-circuit pourrait survenir et provoquer un incendie ou l'électrocution. Pour votre sécurité, vérifiez que l'installation est effectuée complètement.

## Informations complémentaires

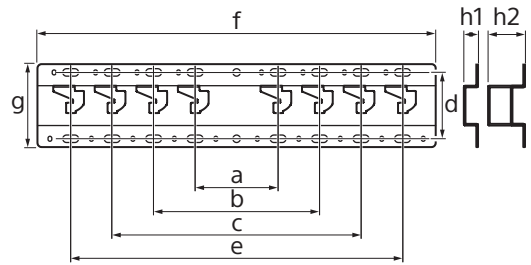
Lors du retrait du téléviseur, inversez la procédure d'installation décrite précédemment.



### AVERTISSEMENT

- Veillez à ce que le téléviseur soit soutenu par deux personnes au moins lorsque vous le retirez.

## Spécifications



### Dimensions : (approx.) [mm]

- a : 100
- b : 200
- c : 300
- d : 80
- e : 400
- f : 480
- g : 100

h1 : 20 (cas 2-b)

h2 : 60 (cas 2-a)

### Poids (base seule) : (approx.) [kg]

0,8

La conception et les spécifications sont sujettes à modification sans préavis.

# Información de instalación para usar el Soporte de pared de Sony (SU-WL450)

## Modelos compatibles:

**KD-55XD80□□\*/49XD83□□\*/49XD80□□\*/43XD83□□\*/  
43XD80□□\***

\* En los nombres de modelo reales, "□□" indica los números y/o los caracteres específicos de cada modelo.

### Información para los clientes

Por motivos de seguridad y protección del producto, Sony recomienda encarecidamente que la instalación del televisor la realice un distribuidor de Sony o un contratista autorizado. No intente realizar la instalación por su cuenta.

### Información para los distribuidores y contratistas de Sony

Preste especial atención a la seguridad durante los procesos de instalación, mantenimiento periódico y revisión de este producto.

La instalación de este producto requiere disponer de suficiente experiencia, especialmente para determinar la solidez de la pared para soportar el peso del televisor. Asegúrese de confiar la instalación de este producto en la pared únicamente a distribuidores de Sony o contratistas autorizados, y preste especial atención a la seguridad durante el proceso de instalación. Sony queda exento de cualquier responsabilidad por daños o lesiones ocasionados por una manipulación incorrecta o una instalación inadecuada.

Por motivos de seguridad y para realizar la correcta instalación, siga las indicaciones del Manual de instrucciones del soporte de pared, la Guía de inicio del televisor y las instrucciones de este manual.

## Seguridad

Muchas gracias por la adquisición de este producto.

### Información para los clientes

Para la instalación de este producto se requieren conocimientos suficientes. Asegúrese de contratar la instalación a un distribuidor o a un contratista Sony autorizado y preste especial atención a la seguridad durante la instalación. Sony no se hace responsable de los daños o lesiones causados por una mala utilización, una instalación incorrecta o la instalación de cualquier producto que no sea el especificado. Esto no afecta a sus derechos legales (en caso de haberlos).

### Información para los distribuidores de Sony

Para la instalación de este producto se requieren conocimientos suficientes. Lea detenidamente este manual de instrucciones para realizar la instalación de manera segura. Sony no se responsabiliza de ningún daño o lesión provocados por una manipulación o instalación incorrectas. Entregue este manual al cliente después de la instalación.

Este manual de instrucciones muestra la manera correcta de manipular el producto, así como precauciones importantes necesarias para evitar accidentes. Lea detenidamente este manual y utilice el producto correctamente. Conserve este manual para poder consultarlo en el futuro.

Los productos de Sony están diseñados pensando en la seguridad. Sin embargo, si los productos se utilizan incorrectamente, pueden producirse lesiones graves a causa de un incendio o una descarga, o al volcarse o caerse el producto. Para evitar tales accidentes, asegúrese de observar las precauciones de seguridad.

## PRECAUCIÓN

### Productos especificados

El soporte de montaje mural está diseñado para utilizar con los TV especificados en el producto. Consulte la Guía de referencia del televisor para comprobar si se puede utilizar el soporte de pared.

## Información para los clientes

### ADVERTENCIA

Si no se tienen en cuenta las siguientes precauciones, existe el peligro de sufrir lesiones graves o incluso de muerte a raíz de un incendio o una descarga eléctrica, o a causa de que el producto se caiga.

### Asegúrese de contratar la instalación a contratistas autorizados y mantenga a los niños alejados durante la instalación.

Si el soporte de montaje mural o el televisor no están instalados correctamente, pueden ocurrir los accidentes siguientes. Asegúrese de que la instalación la lleven a cabo contratistas autorizados.

- El televisor podría caerse y provocar lesiones graves como contusiones o fracturas.
- Si la pared en la que se instala el soporte de montaje mural es inestable, desigual o no es perpendicular al suelo, la unidad puede caerse y provocar daños personales o materiales. La pared debe ser capaz de soportar un peso de al menos cuatro veces el peso del televisor. (Consulte la Guía de referencia del televisor para conocer el peso del televisor).
- Si la instalación del soporte de montaje mural en la pared no es lo suficientemente resistente, es posible que la unidad se caiga y provoque daños personales o materiales.

### Asegúrese de contratar el traslado o el desmontaje del televisor a contratistas autorizados.

Si otras personas que no son contratistas autorizados llevan a cabo el transporte o el desmontaje del televisor, ésta puede caerse y provocar daños personales y materiales. Asegúrese de que transportan o desmontan el televisor dos o más personas.

### No quite los tornillos, etc., una vez montado el televisor.

Si lo hace, el televisor puede caerse y provocar daños personales o materiales.

### No modifique las piezas del soporte de montaje mural.

Si lo hace, el soporte de montaje mural puede caerse y provocar daños personales o materiales.

## No monte ningún otro equipo que no sea el producto especificado.

Este soporte de montaje mural se ha diseñado para utilizarse sólo con el producto especificado. Si monta un equipo distinto del especificado, puede caerse o romperse y provocar daños personales o materiales.

## No aplique ningún peso que no sea el propio del televisor en el soporte de montaje mural. No sacuda el televisor hacia la izquierda, la derecha, arriba o abajo.

Si lo hace, el televisor puede caerse y provocar daños personales o materiales.

## No se apoye en el televisor ni se cuelgue de éste.

No se apoye en el televisor ni se cuelgue de éste, ya que podría caerle encima y provocarle lesiones graves.

## PRECAUCIÓN

Si no se tienen en cuenta las precauciones siguientes, podrían producirse daños personales o materiales.

## No manipule el producto con fuerza excesiva cuando realice su limpieza o mantenimiento.

No aplique fuerza excesiva en la parte superior del televisor. Si lo hace, el televisor puede caerse y provocar daños personales o materiales.

## Precauciones

- Si utiliza el televisor instalado en el soporte de montaje mural durante un largo período de tiempo, es posible que la pared que quede detrás o encima del televisor se descolore o que, si la pared está empapelada, se despegue el papel, dependiendo del material de la pared.
- Si se quita el soporte de montaje mural después de haber estado instalado en la pared, quedarán los orificios de los tornillos.
- No use el soporte de montaje mural en un lugar en el que pueda sufrir vibraciones mecánicas.

## Instalación del soporte del montaje mural

Información para los distribuidores de Sony

### ADVERTENCIA

Las instrucciones siguientes están destinadas únicamente a los distribuidores de Sony. Asegúrese de leer las precauciones de seguridad descritas anteriormente y preste especial atención a la seguridad durante la instalación, el mantenimiento y la comprobación de este producto.

### No instale el soporte de montaje mural en superficies de paredes en las que puedan sobresalir las esquinas o los lados del televisor.

No instale el soporte de montaje mural en superficies de paredes, tales como una columna, en las que puedan sobresalir las esquinas o los lados del televisor. Si una persona o un objeto se golpea con la esquina o el lado saliente del televisor, pueden producirse daños personales o materiales.

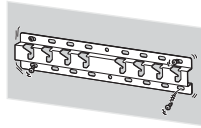


### No instale el televisor encima ni debajo de un aparato de aire acondicionado.

Si el televisor queda expuesto a goteo de agua o corriente de aire procedentes del aparato de aire acondicionado durante mucho tiempo, podría producirse un incendio, una descarga eléctrica o un fallo de funcionamiento.

### Asegúrese de instalar el soporte de montaje mural firmemente en la pared siguiendo las instrucciones de este manual.

Si alguno de los tornillos queda suelto o se desprende, el soporte de montaje mural puede caerse y provocar daños personales o materiales. Asegúrese de utilizar los tornillos adecuados para el material de la pared e instale la unidad firmemente, utilizando cuatro o más tornillos de 8 mm de diámetro (o equivalentes).



**Asegúrese de utilizar correctamente los tornillos y las piezas de sujeción suministrados siguiendo las instrucciones que se describen en este manual. Si utiliza artículos sustitutos, el televisor podría caerse y dañarse o provocar daños personales.**

### Efectúe correctamente el montaje del soporte siguiendo el procedimiento descrito en este manual.

Si alguno de los tornillos queda suelto o se desprende, el televisor podría caerse y dañarse o provocar daños personales.

### Asegúrese de apretar bien los tornillos en la posición correspondiente.

De lo contrario, el televisor podría caerse y dañarse o provocar daños personales.

### Procure que el televisor no reciba golpes durante la instalación.

Si el televisor recibe algún golpe, puede caerse o romperse. Tales percances podrían causar heridas personales.

### Asegúrese de instalar el televisor en una pared que sea perpendicular y plana.

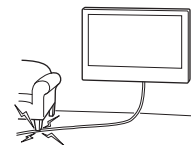
De lo contrario, el televisor podría caerse y provocar daños personales.

### Una vez que haya instalado correctamente el televisor, fije adecuadamente los cables.

Si alguna persona u objeto se enreda con los cables, correrá el peligro de sufrir heridas personales o de dañarse el televisor.

### Evite que el cable de alimentación de ca o el cable de conexión queden atrapados.

Si el cable de alimentación de ca o el cable de conexión quedan atrapados entre la unidad y la pared o si se doblan o tuercen con fuerza, es posible que los conductores internos queden expuestos y que provoquen un cortocircuito o corte eléctrico. Esto podría originar un incendio o producir descargas eléctricas.



### Los tornillos necesarios para fijar el soporte de montaje mural a la pared no están incluidos.

Utilice los tornillos adecuados para el material y la estructura de la pared en la que se proponga montar el soporte de montaje mural.



## Instalación del televisor en la pared

El proceso de instalación varía según el televisor.

Utilice el soporte de pared SU-WL450 para instalar el televisor en la pared.

### Nota

- Asegúrese de guardar los tornillos retirados en un lugar seguro, lejos del alcance de los niños.

## Preparación para la instalación

- Tenga a mano la Guía de referencia antes de comenzar la instalación.
- Asegúrese de disponer de un destornillador Phillips adecuado para los tornillos antes de efectuar el montaje.
- Confirme la posición de instalación del televisor.
- Prepare como mínimo cuatro tornillos de 8 mm de diámetro y uno de 5 mm o equivalente (no suministrado). Elija los tornillos adecuados para el material de la pared.

## Verificación de las piezas

### Suministrado con SU-WL450

- Compruebe que se hayan suministrado todas las piezas.

<b>A</b> Base (20) (1) 	<b>B</b> Polea (2) 
<b>C</b> PSW 6x20 (4) 	<b>D</b> PSW 4x20 con casquillo (2) 
<b>E</b> Separador (20) (2) 	<b>F</b> Correa (1) 
<b>G</b> Casquillo (20) (M4) (2) 	<b>H</b> PSW 4x20 (2) 
<b>I</b> Adaptador de base (2) 	<b>J</b> PSW 4x10 (8) 
<b>K</b> Separador (60) (2) 	<b>L</b> PSW 6x50 (2) 
<b>M</b> Casquillo (M4) (2) 	<b>N</b> PSW 4x50 (2) 
<b>O</b> Soporte para montaje en pared (S) (2) 	<b>P</b> Separador (2) 
<b>Q</b> Arandela (1) 	<b>R</b> PSW 5x12 (1) 

### Suministrado con el televisor (conectado a la parte trasera)

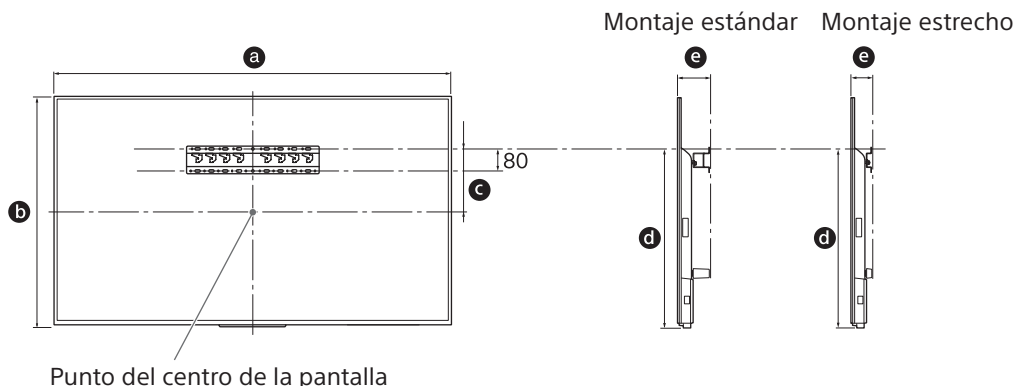
Soporte para el cable (1) 
-------------------------------

# Definición del lugar para la instalación

## 1 Decida la ubicación de instalación.

Asegúrese de que haya suficiente espacio en la pared para el televisor y de que la pared pueda soportar un peso al menos cuatro veces superior al del televisor.

Consulte la siguiente tabla acerca de la instalación del televisor en la pared. Para conocer el peso del televisor, consulte la Guía de referencia del televisor.



Unidad: mm

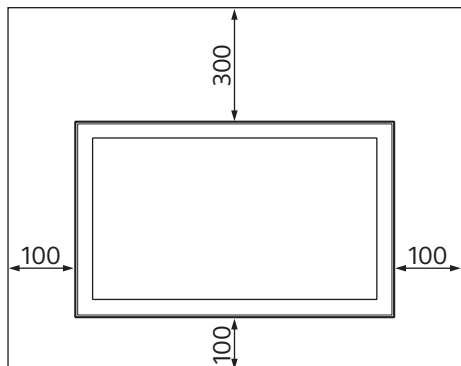
Nombre del modelo KD-	Dimensiones de la pantalla		Dimensión del centro de la pantalla	Longitud para montaje		
	a	b	c	d	e	
					Montaje estándar	Montaje estrecho
55XD80□□	1.231	717	129	494	102	60
49XD83□□ 49XD80□□	1.093	639	181	508	102	60
43XD83□□	960	564	209	498	108	66
43XD80□□	960	564	209	498	107	65

### Nota

- Las cifras de la tabla pueden ser distintas según la instalación.

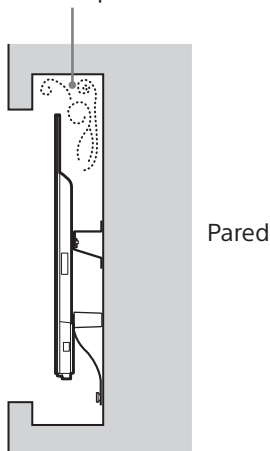
Deje un espacio adecuado entre el televisor, el techo y las partes salientes de la pared, tal y como se muestra a continuación.

Unidad: mm



- Para garantizar la correcta ventilación y evitar la acumulación de polvo o suciedad:
  - No coloque el conjunto del televisor tumbado o instalado del revés, de espaldas o de lado.
  - No coloque el conjunto del televisor sobre estantes, alfombras, camas o armarios.
  - No cubra el conjunto del televisor con telas, como cortinas, ni con objetos, como periódicos, revistas, etc.
  - No instale el conjunto del televisor como se indica a continuación.

La circulación del aire queda bloqueada.



#### Nota

- Si se propone pasar los cables por la pared, realice un orificio en la pared para insertarlos antes de comenzar la instalación.  
Para evitar comprimir los cables, realice un agujero en la pared fuera del perímetro de la base (20) (A), adaptador de base (1) y separador (20) (E), separador (60) (K).

2 Seleccione el tipo de montaje en la pared. Las distancias entre la parte posterior del televisor y la pared que pueden seleccionarse son las siguientes.

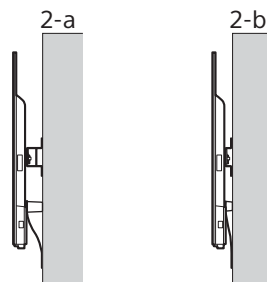
**2-a** Montaje estándar

**2-b** Montaje compacto

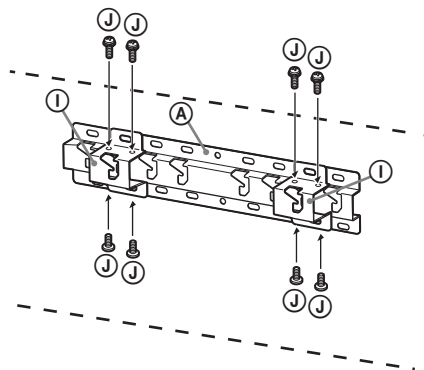
Consulte la tabla del paso 1.

#### ADVERTENCIA

- Si se selecciona la opción 2-b, resulta más complicado acceder a los terminales de la parte posterior.

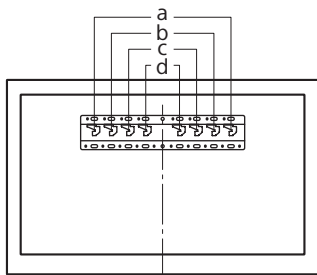


Monte el adaptador de la base (1) fijando el tornillo (PSW 4x10) (J) a la base (20) (A) si selecciona la opción 2-a.



- 3 Consulte la siguiente tabla sobre la ubicación del adaptador de la base. Si selecciona la opción 2-b, puede omitir este paso.

Nombre del modelo KD-	Posición de los ganchos
55XD80□□	c
49XD83□□	
49XD80□□	
43XD83□□	d
43XD80□□	



- 4 Decida las posiciones de los tornillos para la instalación de la base (20) (A).

Consulte las especificaciones de la página 12.

Si selecciona la opción 2-a, utilice las posiciones de los orificios del adaptador de la base (1).

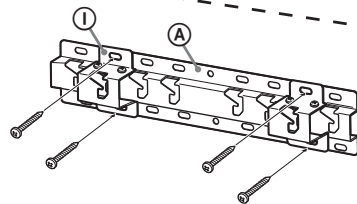
#### ADVERTENCIA

- La pared en la que se proponga instalar el televisor deberá ser capaz de soportar un peso al menos **cuatro veces** superior al del televisor (Consulte la Guía de referencia del televisor para conocer el peso del televisor.).
- Determine la resistencia de la pared en la que desea instalar el televisor. Si es necesario, refuércela.

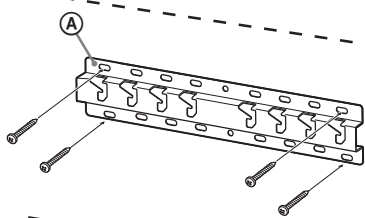
## Instalación de la base en la pared

- Utilice cuatro o más tornillos de 8 mm de diámetro o equivalentes (no suministrados).
- Fije cuatro tornillos a los orificios del adaptador de la base (1) con la base (20) (A) (2-a solo).
- Instale la base (20) (A) en la pared de manera horizontal.

2-a

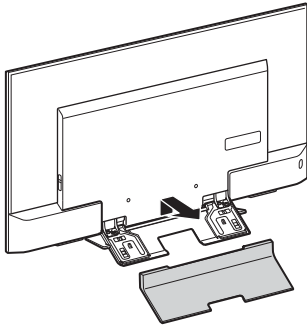


2-b



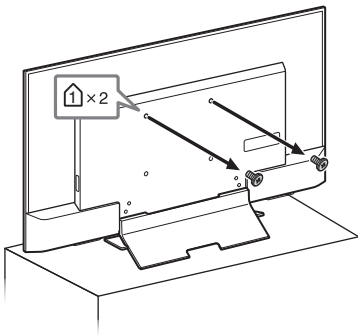
## Preparación para instalar el televisor

- 1 Retire la tapa del soporte.  
(Sólo el modelo KD-55XD80□□)

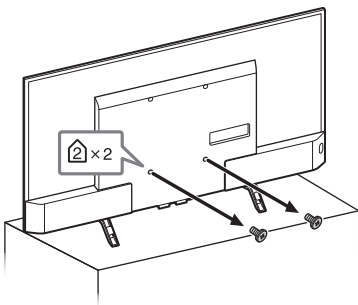


- 2 Quite los tornillos de la parte trasera del televisor.

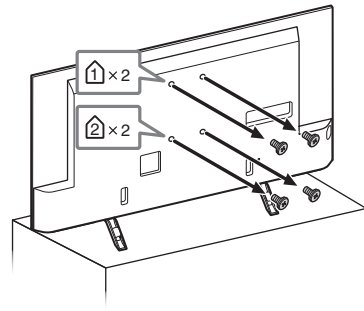
KD-55XD80□□



KD-49XD83□□/49XD80□□



KD-43XD83□□/43XD80□□

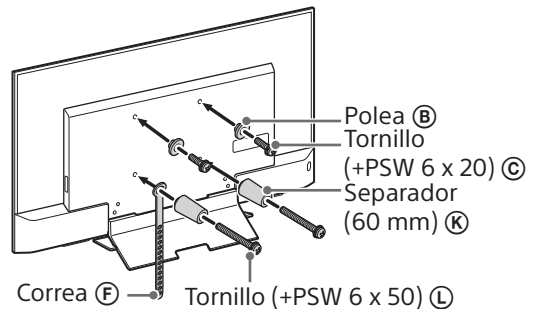


- 3 Coloque las piezas de fijación del soporte de pared.  
Compruebe las piezas de fijación en "Suministrado con SU-WL450", en la sección "Verificación de las piezas" de la página 5.

### Nota

- Fije las piezas de fijación mediante tornillos.
- Cuando use un destornillador eléctrico, establezca el par de torsión aproximadamente en 1,5 N·m {15 kgf·cm}.
- Asegúrese de guardar las piezas que no utilice en un lugar seguro para utilizarlas en un futuro. Conserve este manual para futuras consultas.

### Montaje estándar (2-a)

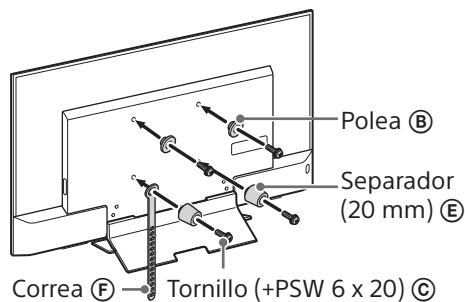
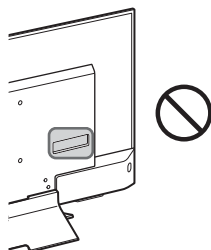


ES

## Montaje estrecho (2-b)

### Nota

- Este tipo de montaje no permite utilizar algunos de los terminales de la parte posterior del televisor.

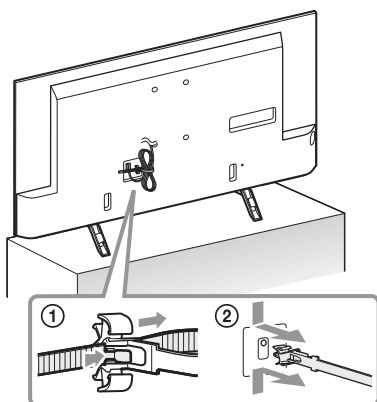


## 4 Conecte los cables necesarios al TV.

Asegúrese de conectar los cables antes de instalar el televisor en la pared. No podrá conectarlos cuando el televisor se encuentre instalado.

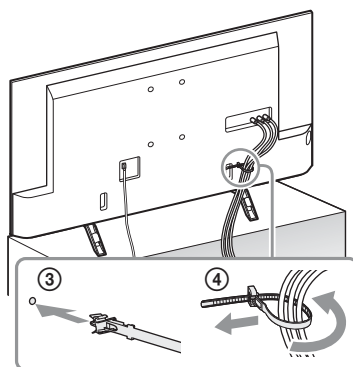
Consulte la Guía de referencia proporcionada con el televisor.

## 5 Desinstale el soporte para el cable (suministrado con el televisor). (Sólo el modelo KD-43XD83□□/43XD80□□)



## 6 Sujete los cables.

Para los modelos KD-43XD83□□/43XD80□□, enganche el soporte para el cable en uno de los orificios internos.

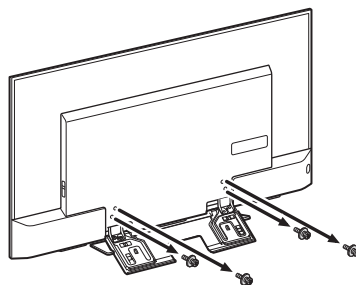


### Nota

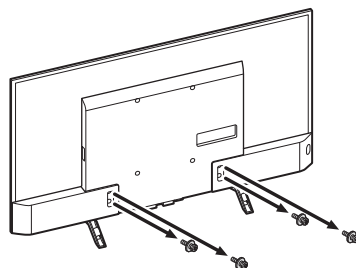
- Asegúrese de contratar la instalación de los cables en la pared a un contratista autorizado.
- Agrupe los cables de conexión para impedir pisarlos antes de efectuar el montaje en la pared.

## 7 Desinstale el soporte de sobremesa del televisor.

Sólo el modelo KD-55XD80□□



Excepto KD-55XD80□□

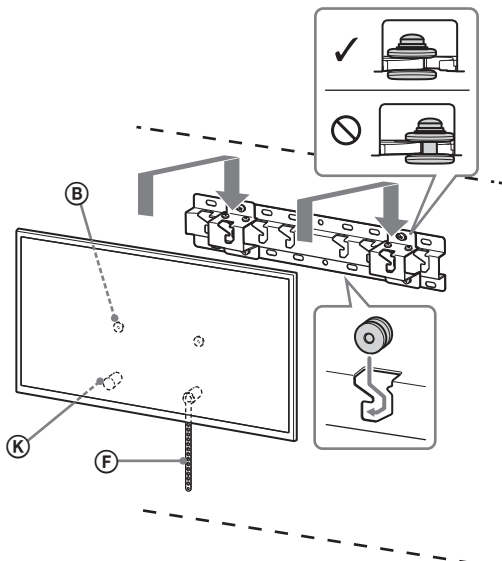


# Instalación del televisor en la pared

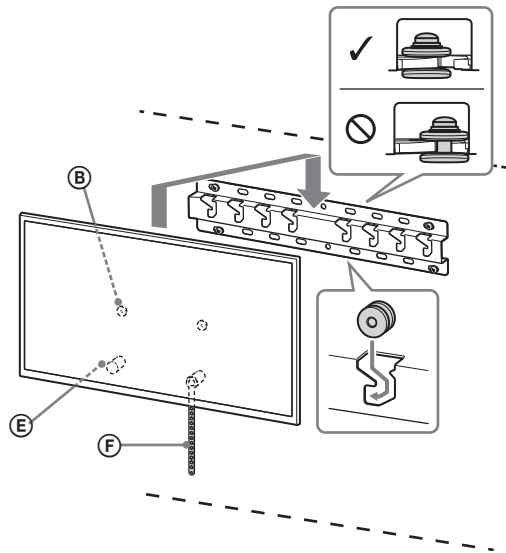
## 1 Instale el televisor en la base.

- Para la colocación de las poleas **B** al gancho de la base, consulte la tabla del paso 3 en "Definición del lugar para la instalación" en la página 8.
- Sujete el TV firmemente con ambas manos y deslice suavemente las poleas **B** colocadas en la parte posterior del TV hacia la base, asegurándose de confirmar la forma de los orificios.
- Después de instalar el televisor en la pared, verifique que las poleas **B** estén aseguradas firmemente en la base o el adaptador de la base.

2-a



2-b

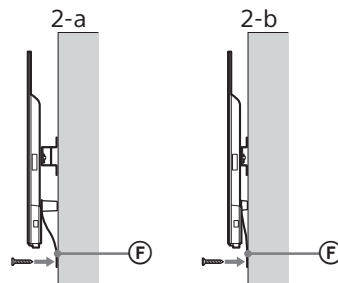


### ADVERTENCIA

- Asegúrese de que dos o más personas se encarguen de transportar el televisor.

## 2 Cómo evitar que la parte inferior del TV se mueva.

- Recoja la correa **F** y ajústela firmemente a la pared.



- Use un tornillo de 5 mm de diámetro o equivalente (no suministrado).

### Nota

- Intente tirar la parte de abajo del TV levemente hacia adelante para asegurarse de que no se mueva solo en esa dirección. Si se mueve, significa que no se colocó correctamente, por lo que debe ajustar con firmeza la correa **F** nuevamente.

ES

## Confirmación del final de la instalación

Verifique los siguientes puntos.

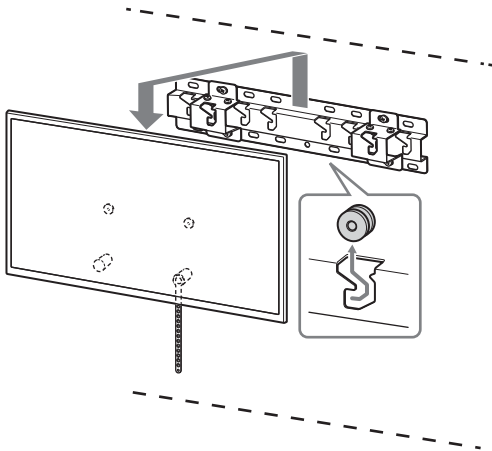
- Las poleas ② están firmemente ajustadas a la base o el adaptador de la base.
- Que los cables no estén retorcidos ni atrapados.
- La correa ③ está colocada firmemente y sin holgura.

### ADVERTENCIA

- La colocación inadecuada del cable de alimentación de ca, etc., puede ser causa de un incendio o de descargas eléctricas debido a un cortocircuito. Por razones de seguridad, no olvide confirmar que haya finalizado la instalación.

## Información adicional

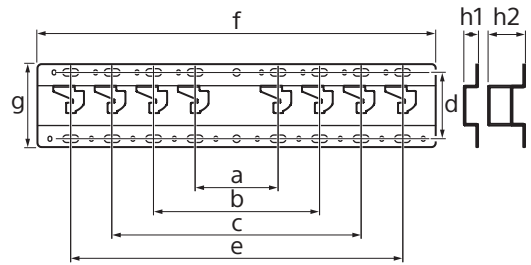
Para retirar el televisor, lleve a cabo el procedimiento de instalación a la inversa.



### ADVERTENCIA

- Asegúrese de que por lo menos dos personas sostengan el TV para sacarlo.

## Especificaciones



### Dimensiones: (aprox.) [mm]

- a : 100
- b : 200
- c : 300
- d : 80
- e : 400
- f : 480
- g : 100

h1 : 20 (caso 2-b)

h2 : 60 (caso 2-a)

### Peso (solo base): (aprox.) [kg]

0,8

El diseño y las especificaciones están sujetos a cambios sin previo aviso.



# Installationsinformationen zum Verwenden der Wandhalterung (SU-WL450) von Sony

## Unterstützte Modelle:

**KD-55XD80□□\*/49XD83□□\*/49XD80□□\*/43XD83□□\*/  
43XD80□□\***

\* „□□“ steht für Zahlen und/oder Zeichen, die im eigentlichen Modellnamen für das jeweilige Modell eindeutig sind.

Für den Kunden

Zum Schutz des Produkts und aus Sicherheitsgründen empfiehlt Sony dringend, die Installation des Fernsehgeräts von einem Sony-Händler oder lizenzierten Fachleuten ausführen zu lassen. Versuchen Sie nicht, das Fernsehgerät selbst zu installieren.

Für Sony-Händler und Montagefachleute

Achten Sie bei der Installation, der regelmäßigen Wartung und der Überprüfung des Produkts in erster Linie auf Sicherheit.

Zur Installation dieses Produkts sind Fachkenntnisse erforderlich, insbesondere um die Tragfähigkeit der Wand für das Gewicht des Fernsehgeräts sicherzustellen. Überlassen Sie die Montage dieses Produkts an der Wand unbedingt Sony-Händlern oder lizenzierten Fachleuten und ergreifen Sie bei der Montage geeignete Sicherheitsmaßnahmen. Sony übernimmt keine Haftung für Verletzungen bzw. Sachschäden, die durch unsachgemäßen Umgang mit dem Produkt oder eine fehlerhafte Montage entstehen.

Befolgen Sie aus Sicherheitsgründen und zum Zweck einer ordnungsgemäßen Installation die Anweisungen in der Bedienungsanleitung zur Wandhalterung, in der Einführungsanleitung zum Fernsehgerät und in dieser Anleitung.

## Hinweise zur Sicherheit

Vielen Dank, dass Sie sich für dieses Produkt entschieden haben.

### An die Kunden

Zur Montage dieses Produkts sind ausreichende Fachkenntnisse erforderlich. Überlassen Sie die Montage einem Sony-Händler oder einem lizenzierten Fachmann und achten Sie bei der Montage insbesondere auf die Sicherheit. Sony übernimmt keine Haftung für Schäden oder Verletzungen durch die fehlerhafte Handhabung oder eine unsachgemäße Montage oder für die Montage eines anderen als des angegebenen Produkts. Ihre gesetzlichen Rechte (wenn zutreffend) sind davon nicht betroffen.

### An die Sony-Händler

Zur Montage dieses Produkts sind ausreichende Fachkenntnisse erforderlich. Lesen Sie sich diese Anleitung unbedingt sorgfältig durch, um die Montagearbeiten sicher durchzuführen. Sony übernimmt keine Haftung für Schäden oder Verletzungen durch die fehlerhafte Handhabung oder eine unsachgemäße Montage. Händigen Sie diese Anleitung nach der Montage dem Kunden aus.

Diese Bedienungsanleitung zeigt die richtige Handhabung des Produkts und wichtige Vorsichtshinweise, die notwendig sind, um Unfälle zu vermeiden. Lesen Sie sich diese Anleitung sorgfältig durch und verwenden Sie das Produkt korrekt. Bewahren Sie diese Anleitung zum künftigen Nachschlagen auf.

Produkte von Sony wurden im Hinblick auf die Sicherheit entwickelt. Wenn die Produkte aber falsch verwendet werden, kann dies zu schwerwiegenden Verletzungen durch Feuer, Stromschlag, das Kippen des Produkts oder das Herunterfallen des Produkts führen. Beachten Sie unbedingt die Vorsichtshinweise, um solche Unfälle zu vermeiden.

## VORSICHT

### Angegebene Produkte

Diese Wandhalterung wurde zur Verwendung mit den angegebenen Fernsehgeräten entwickelt. Schlagen Sie bei Fernsehgeräten im zugehörigen Referenzleitfaden nach, um sich zu vergewissern, dass die Wandhalterung verwendet werden kann.

## An die Kunden

### WARNUNG

Wenn die folgenden Vorsichtshinweise nicht beachtet werden, kann es zu schwerwiegenden Verletzungen oder Tod durch Feuer, Stromschlag oder das Herunterfallen des Produkts kommen.

### Überlassen Sie die Montage einem lizenzierten Fachmann und halten Sie kleine Kinder während der Montage fern.

Wenn die Wandhalterung oder das Fernsehgerät nicht korrekt montiert werden, kann es zu den folgenden Unfällen kommen. Achten Sie darauf, dass die Montage durch einen lizenzierten Fachmann ausgeführt wird.

- Das Fernsehgerät kann herunterfallen und schwerwiegenden Verletzungen wie Prellungen oder Brüche verursachen.
- Wenn die Wand, an der die Wandhalterung montiert werden soll, instabil, uneben oder nicht senkrecht zum Boden ist, kann das Gerät herunterfallen und Verletzungen oder Sachschäden verursachen. Die Wand sollte mindestens das vierfache Gewicht des Fernsehgeräts tragen können. (Informationen zum Gewicht des Fernsehgeräts finden Sie im Referenzleitfaden des Geräts.)
- Wenn die Montage der Wandhalterung an der Wand nicht ausreichend stabil ist, kann das Gerät herunterfallen und Verletzungen oder Sachschäden verursachen.

### Überlassen Sie die Umpositionierung bzw. den Abbau des Fernsehgeräts einem lizenzierten Fachmann.

Wenn andere Personen als ein lizenziertes Fachmann den Transport oder Abbau des Fernsehgeräts übernehmen, kann es herunterfallen und Verletzungen oder Sachschäden verursachen. Achten Sie darauf, dass mindestens zwei Personen das Fernsehgerät tragen oder abbauen.

### Entfernen Sie keine Schrauben usw., nachdem Sie das Fernsehgerät montiert haben.

Andernfalls kann das Fernsehgerät herunterfallen und Verletzungen oder Sachschäden verursachen.

### Nehmen Sie keine Veränderungen an Teilen der Wandhalterung vor.

Andernfalls kann die Wandhalterung herunterfallen und Verletzungen oder Sachschäden verursachen.

## Montieren Sie keine Geräte außer dem angegebenen Produkt.

Diese Wandhalterung wurde nur zur Verwendung mit dem angegebenen Produkt entwickelt. Wenn Sie andere als das angegebene Gerät montieren, kann sie herunterfallen oder brechen und Verletzungen oder Sachschäden verursachen.

### Belasten Sie die Wandhalterung nur mit dem Gewicht des Fernsehgeräts. Setzen Sie das Fernsehgerät keinen Erschütterungen nach links/rechts oder oben/unten aus.

Andernfalls kann das Fernsehgerät herunterfallen und Verletzungen oder Sachschäden verursachen.

### Lehnen und hängen Sie sich nicht an das Fernsehgerät.

Lehnen und hängen Sie sich nicht an das Fernsehgerät, da es auf Sie fallen und schwerwiegende Verletzungen verursachen könnte.

## VORSICHT

Wenn die folgenden Vorsichtshinweise nicht beachtet werden, kann es zu Verletzungen oder Sachschäden kommen.

### Üben Sie während der Reinigung oder Wartung keine übermäßige Gewalt auf das Produkt aus.

Üben Sie keine übermäßige Gewalt auf die Oberseite des Fernsehgeräts aus. Andernfalls kann das Fernsehgerät herunterfallen und Verletzungen oder Sachschäden verursachen.

## Vorsichtshinweise

- Wenn Sie das Fernsehgerät längere Zeit verwenden, wenn es an der Wandhalterung angebracht ist, kann sich, abhängig vom Material der Wand, die Wand hinter oder über dem Fernsehgerät verfärben oder die Tapete kann sich lösen.
- Wenn die Wandhalterung nach der Montage an der Wand entfernt wird, verbleiben die Schraubenbohrungen.
- Verwenden Sie die Wandhalterung nicht an Orten, an denen sie mechanischen Vibrationen ausgesetzt ist.

## Montieren der Wandhalterung

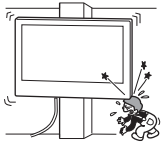
An die Sony-Händler

### WARNUNG

Die folgenden Anweisungen gelten nur für Sony-Händler. Lesen Sie sich unbedingt die oben aufgeführten Sicherheitshinweise durch und achten Sie während der Montage, Wartung und Überprüfung des Produkts insbesondere auf die Sicherheit.

### Installieren Sie die Wandhalterung nicht auf einer Wandfläche, bei der die Ecken der Kanten des Fernsehgeräts über die Wandfläche hinausragen.

Installieren Sie die Wandhalterung nicht auf einer Wandfläche, wie einer Säule, bei der die Ecken der Kanten des Fernsehgeräts über die Wandfläche hinausragen. Wenn eine Person oder ein Objekt gegen die vorstehende Ecke oder Seite des Fernsehgeräts stößt, kann es zu Verletzungen oder Sachschäden kommen.

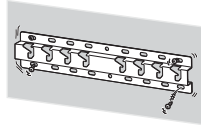


### Montieren Sie das Fernsehgerät nicht über oder unter einem Klimagerät.

Wenn das Fernsehgerät längere Zeit austretendem Wasser oder dem Luftstrom einer Klimaanlage ausgesetzt ist, kann es zu einem Brand, Stromschlag oder einer Fehlfunktion des Fernsehgeräts kommen.

### Achten Sie darauf, die Wandhalterung entsprechend den Anweisungen in dieser Bedienungsanleitung sicher an der Wand zu montieren.

Wenn Schrauben locker sind oder herausfallen, kann die Wandhalterung herunterfallen und Verletzungen oder Sachschäden verursachen. Verwenden Sie unbedingt geeignete Schrauben für das Material der Wand und montieren Sie das Gerät sicher mit vier oder mehr Schrauben mit einem Durchmesser von 8 mm (oder entsprechendem Material).



**Verwenden Sie unbedingt die mitgelieferten Schrauben und Befestigungsteile entsprechend den Anweisungen in dieser Bedienungsanleitung. Wenn Sie andere Teile verwenden, kann das Fernsehgerät herunterfallen und Personenschäden oder Schäden am Fernsehgerät verursachen.**

### Bauen Sie die Halterung ordnungsgemäß entsprechend den in dieser Bedienungsanleitung beschriebenen Schritten zusammen.

Wenn die Schrauben lose sind oder herausfallen, kann das Fernsehgerät herunterfallen und Personenschäden oder Schäden am Fernsehgerät verursachen.

### Ziehen Sie die Schrauben unbedingt an den dafür vorgesehenen Positionen fest.

Andernfalls kann das Fernsehgerät herunterfallen und Personenschäden oder Schäden am Fernsehgerät verursachen.

### Achten Sie darauf, das Fernsehgerät während der Montage keinen Erschütterungen auszusetzen.

Wenn das Fernsehgerät Erschütterungen ausgesetzt wird, kann es herunterfallen oder brechen. Dies kann zu Verletzungen führen.

### Achten Sie darauf, das Fernsehgerät an einer Wand zu montieren, die senkrecht und eben ist.

Andernfalls kann das Fernsehgerät herunterfallen und Verletzungen verursachen.

### Sichern Sie die Kabel nach der ordnungsgemäßen Montage des Fernsehgeräts ordnungsgemäß.

Wenn sich Personen oder Gegenstände in den Kabeln verfangen, kann diese zu Verletzungen oder Schäden am Fernsehgerät führen.

### Verhindern Sie, dass das Netz- oder die Verbindungskabel eingeklemmt werden.

Wenn das Netz- oder die Verbindungskabel zwischen dem Gerät und der Wand eingeklemmt werden oder gewaltsam verbogen oder verdreht werden, können die internen Adern freigelegt werden und es kann zu einem Kurzschluss oder Stromschlag kommen. Dies kann zu einem Brand oder Stromschlag führen.



### Die Schrauben zur Sicherung der Wandhalterung an der Wand sind nicht mitgeliefert.

Verwenden Sie passende Schrauben für das Material und die Struktur der Wand, wenn Sie die Wandhalterung montieren.

## Montieren des Fernsehgeräts an der Wand

Die Montageschritte variieren abhängig vom Fernsehgerät.

Verwenden Sie für die Montage des Fernsehgeräts an der Wand die Wandhalterung SU-WL450.

### Hinweis

- Bewahren Sie die abgenommenen Schrauben unbedingt an einem sicheren, für Kinder nicht zugänglichen Ort auf.

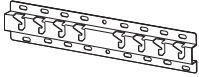













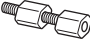



## Vorbereitung der Montage

- Legen Sie vor der Montage den Referenzleitfaden des Fernsehgeräts bereit.
- Stellen Sie vor der Montage sicher, dass Sie einen Kreuzschlitzschraubendreher bereitgelegt haben, der auf die Schrauben passt.
- Überprüfen Sie die Montageposition des Fernsehgeräts.
- Legen Sie mindestens vier Schrauben mit einem Durchmesser von 8 mm und ein Schraube mit einem Durchmesser von 5 mm bzw. entsprechende Schrauben bereit (nicht mitgeliefert). Wählen Sie Schrauben, die für das Material der Wand geeignet sind.

## Überprüfen der Teile

### Mit der SU-WL450 geliefert

- Stellen Sie sicher, dass alle Teile vorhanden sind.

<b>A</b> Grundplatte (20) (1) 	<b>B</b> Rolle (2) 
<b>C</b> PSW 6x20 (4) 	<b>D</b> PSW 4x20 mit Hülse (2) 
<b>E</b> Abstandshalter (20) (2) 	<b>F</b> Gurt (1) 
<b>G</b> Hülse (20) (M4) (2) 	<b>H</b> PSW 4x20 (2) 
<b>I</b> Grundplattenadapter (2) 	<b>J</b> PSW 4x10 (8) 
<b>K</b> Abstandshalter (60) (2) 	<b>L</b> PSW 6x50 (2) 
<b>M</b> Hülse (M4) (2) 	<b>N</b> PSW 4x50 (2) 
<b>O</b> Wandmontageadapter (S) (2) 	<b>P</b> Abstandshalter (2) 
<b>Q</b> Unterlegscheibe (1) 	<b>R</b> PSW 5x12 (1) 

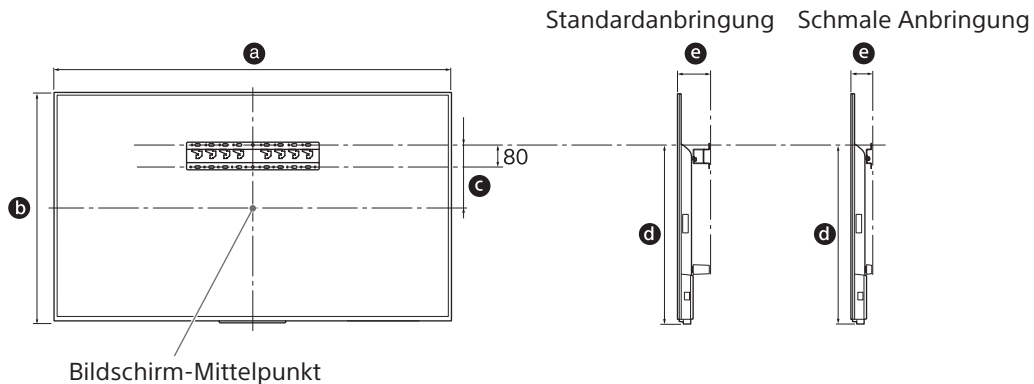
### Mit dem Fernsehgerät geliefert (an der Rückseite angebracht)

<b>Kabelhalter (1)</b> 
---

# Festlegen der Montageposition

## 1 Legen Sie die Montageposition fest.

Stellen Sie sicher, dass an der Wand genug Platz für das Fernsehgerät ist und dass die Wand eine Tragfähigkeit von mindestens dem Vierfachen des Gewichts des Fernsehgeräts aufweist. In der folgenden Tabelle finden Sie Informationen zum Montieren des Fernsehgeräts an der Wand. Im Referenzleitfaden zum Fernsehgerät finden Sie Informationen zum Gewicht des Fernsehgeräts.



Einheit: mm

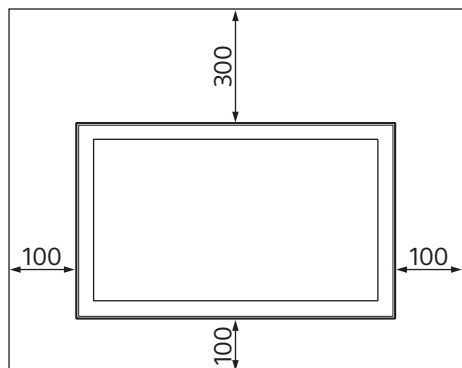
Modell- bezeichnung KD-	Display- abmessungen		Bildschirmmitten- abmessung	Montagemaße		
	a	b	c	d	e	
					Standard- anbringung	Schmale Anbringung
55XD80□□	1.231	717	129	494	102	60
49XD83□□ 49XD80□□	1.093	639	181	508	102	60
43XD83□□	960	564	209	498	108	66
43XD80□□	960	564	209	498	107	65

### Hinweis

- Die Angaben in der Tabelle können je nach Installation etwas variieren.

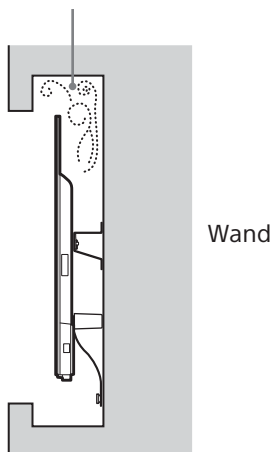
Bedienungsanleitung des Fernsehgeräts. Lassen Sie zwischen dem Fernsehgerät und der Decke sowie vorstehenden Teilen der Wand ausreichend Platz, wie unten dargestellt.

Einheit: mm



- Um eine ausreichende Belüftung sicherzustellen und die Ansammlung von Schmutz und Staub zu verhindern:
  - Legen Sie das Fernsehgerät nicht flach hin, installieren Sie es nicht auf dem Kopf stehend oder mit der Rückseite oder Seite nach vorne.
  - Stellen Sie das Fernsehgerät nicht in ein Regal, auf einen Teppich, auf ein Bett oder in einen Schrank.
  - Decken Sie das Fernsehgerät nicht mit Decken oder Vorhängen ab und legen Sie keine Gegenstände wie Zeitungen usw. darauf.
  - Installieren Sie das Fernsehgerät nicht wie weiter unten dargestellt.

Die Luftzirkulation wird blockiert.



#### Hinweis

- Wenn Sie vorhaben, die Kabel in der Wand zu verlegen, machen Sie eine Bohrung in der Wand, um die Kabel durchzuführen, bevor Sie mit der Montage beginnen. Um zu verhindern, dass die Kabel eingeklemmt werden, führen Sie die Bohrung in der Wand außerhalb der Umfassung des Grundplatte (20) Ⓐ, Grundplattenadapter ① und des Abstandshalter (20) Ⓔ, Abstandshalter (60) Ⓒ durch.

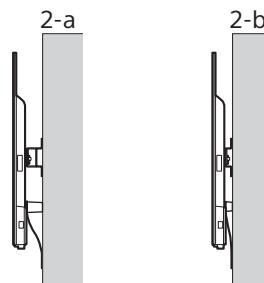
2 Wählen Sie die Art der Wandbefestigung. Sie können die Entfernung von der Rückseite des Fernsehgeräts zur Wand wie unten angegeben auswählen.

**2-a** Standardanbringung  
**2-b** Schmale Anbringung

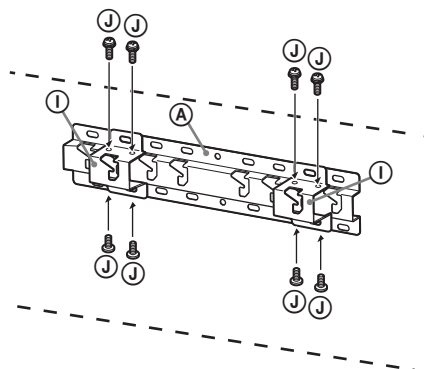
Beachten Sie die Tabelle in Schritt 1.

#### WARNUNG

- Wenn 2-b ausgewählt wird, ist der Zugriff auf die Anschlüsse an der Rückseite eingeschränkt.

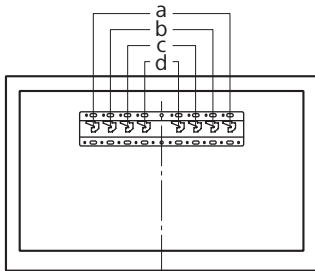


Bringen Sie den Grundplattenadapter ① mit der Schraube (PSW 4x10) Ⓙ an der Grundplatte (20) Ⓐ an, wenn Sie 2-a wählen.



**3** Informationen zur Montageposition des Grundplattenadapters finden Sie in der Tabelle unten. Wenn Sie 2-b wählen, überspringen Sie diesen Schritt.

Modellbezeichnung KD-	Hakenpositionen
55XD80□□ 49XD83□□ 49XD80□□	c
43XD83□□ 43XD80□□	d



**4** Legen Sie die Schraubenpositionen für die Montage der Grundplatte (20) **(A)** fest.

Beachten Sie die technischen Daten auf Seite 12.

**Wenn Sie 2-a wählen, verwenden Sie die Bohrungspositionen des Grundplattenadapters **(1)**.**

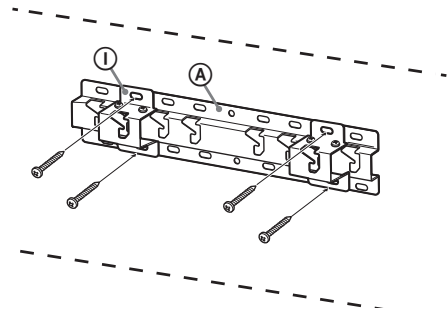
#### WARNUNG

- Die Wand, an der das Fernsehgerät montiert wird, sollte mindestens das **vierfache** Gewicht des Fernsehgeräts tragen können (Informationen zum Gewicht finden Sie im Referenzleitfaden des Fernsehgeräts.).
- Bestimmen Sie die Stärke der Wand, an der das Fernsehgerät montiert werden soll. Verstärken Sie die Wand bei Bedarf ausreichend.

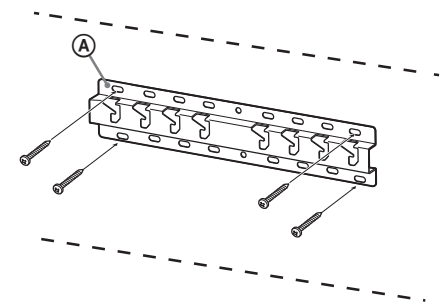
## Montieren der Grundplatte an der Wand

- Verwenden Sie mindestens vier Schrauben mit einem Durchmesser von 8 mm bzw. entsprechende Schrauben (nicht mitgeliefert).
- **Setzen Sie vier Schrauben in die Bohrungen des Grundplattenadapters **(1)** und der Grundplatte **(20)** **(A)** ein (nur 2-a).**
- Montieren Sie die Grundplatte (20) **(A)** horizontal an der Wand.

2-a

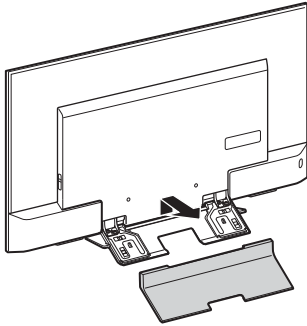


2-b



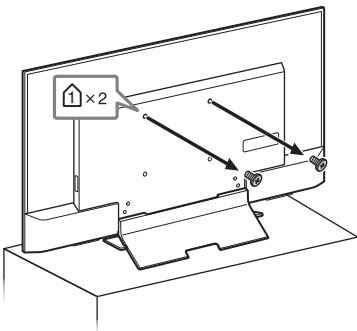
## Vorbereitung der Montage des Fernsehgeräts

- 1 Entfernen Sie die Sockelabdeckung.  
(Nur bei KD-55XD80□□)

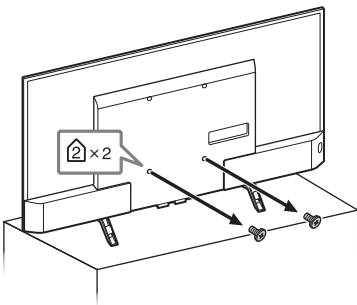


- 2 Entfernen Sie die Schrauben an der Rückseite des Fernsehgeräts.

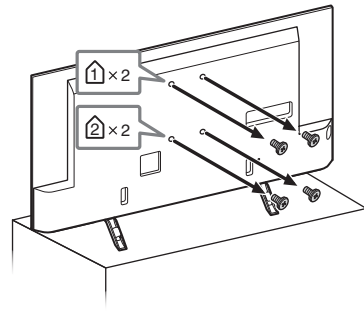
KD-55XD80□□



KD-49XD83□□/49XD80□□



KD-43XD83□□/43XD80□□

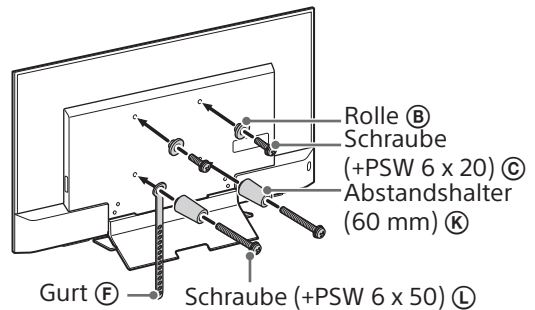


- 3 Bringen Sie die Montageteile für die Wandhalterung an.  
Überprüfen Sie die Montageteile anhand der Abschnitte „Mit der SU-WL450 geliefert“ und „Überprüfen der Teile“ auf Seite 5.

### Hinweis

- Befestigen Sie die Montageteile sicher mit Schrauben.
- Wenn Sie einen elektrischen Schraubenzieher verwenden, stellen Sie ein Drehmoment von etwa 1,5 N·m (15 kgf·cm) ein.
- Bewahren Sie die nicht verwendeten Teile für den zukünftigen Gebrauch unbedingt an einem sicheren Ort auf. Bewahren Sie diese Anleitung zum späteren Nachschlagen auf.

### Standardanbringung (2-a)

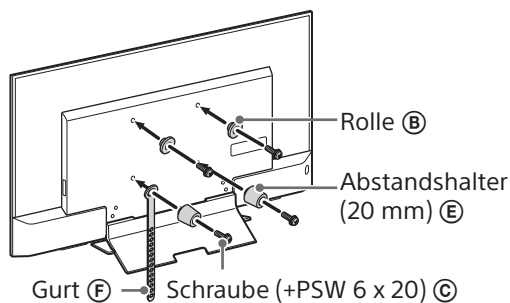
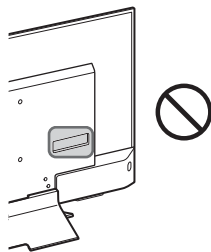




## Schmale Anbringung (2-b)

### Hinweis

- Bei dieser Art der Montage können Sie einige der Anschlüsse auf der Rückseite des Fernsehgeräts nicht nutzen.

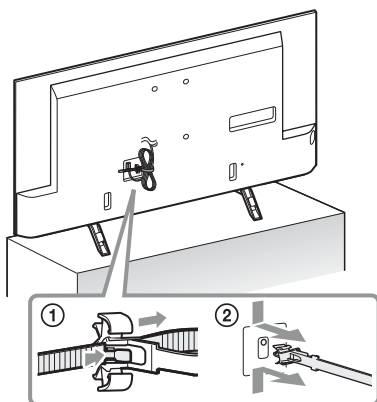


## 4 Schließen Sie die notwendigen Kabel an das Fernsehgerät an.

Stellen Sie sicher, dass die Kabel angeschlossen sind, bevor Sie das Fernsehgerät an der Wand montieren. Sie können die Kabel nicht anschließen, wenn das Fernsehgerät montiert wurde. Schlagen Sie in dem Referenzleitfaden im Lieferumfang des Fernsehgeräts nach.

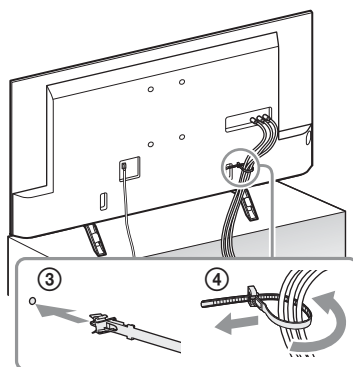
## 5 Nehmen Sie den Kabelhalter (mit dem Fernsehgerät geliefert) ab.

(Nur bei KD-43XD83□□/  
43XD80□□)



## 6 Bündeln Sie die Kabel.

Bringen Sie beim KD-43XD83□□/  
43XD80□□ den Kabelhalter an einer der  
inneren Bohrungen an.

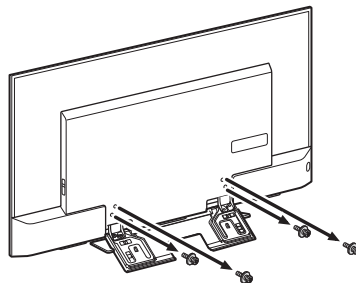


### Hinweis

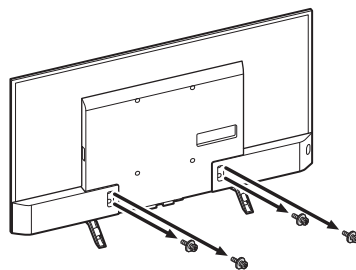
- Überlassen Sie die Kabelführung in der Wand einem lizenzierten Fachmann.
- Bündeln Sie die Anschlusskabel, damit niemand darauf tritt, bevor Sie die Wandmontage durchführen.

## 7 Nehmen Sie den Tischständer vom Fernsehgerät ab.

Nur bei KD-55XD80□□



Außer KD-55XD80□□

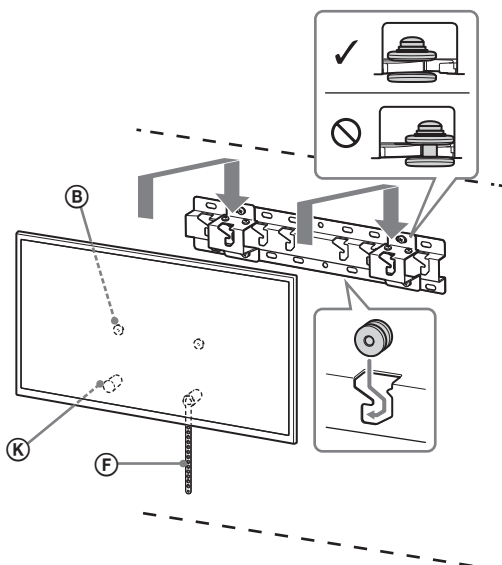


# Montieren des Fernsehgeräts an der Wand

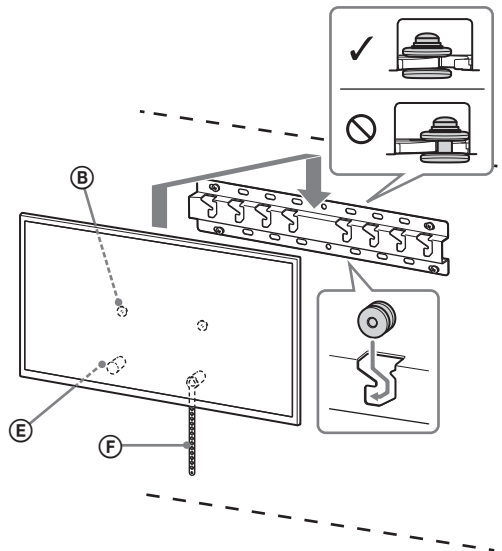
## 1 Montieren Sie das Fernsehgerät auf der Grundplatte.

- Informationen zur Position der Rollen **(B)** zum Einhängen der Grundplatte finden Sie in der Tabelle in Schritt 3 unter „Festlegen der Montageposition“ auf Seite 8.
- Halten Sie das Fernsehgerät sicher mit beiden Händen und hängen Sie die Rollen **(B)**, die an der Rückseite des Fernsehgeräts angebracht sind, vorsichtig in die Grundplatte ein. Überprüfen Sie dabei die Form der Aussparungen.
- Überprüfen Sie nach der Montage des Fernsehgeräts an der Wand, ob die Rollen **(B)** fest in die Grundplatte oder den Grundplattenadapter eingerastet sind.

2-a



2-b

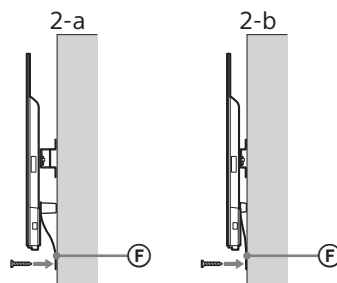


### WARNUNG

- Das Fernsehgerät sollte unbedingt von mindestens zwei Personen gehalten werden, wenn es getragen wird.

## 2 Verhindern Sie, dass sich die Unterseite des Fernsehgeräts bewegt.

- Spannen Sie den Gurt **(F)** und befestigen Sie ihn fest an der Wand.



- Verwenden Sie eine Schraube mit einem Durchmesser von 5 mm bzw. eine entsprechende Schraube (nicht mitgeliefert).

### Hinweis

- Versuchen Sie, die Unterseite des Fernsehgeräts leicht in Ihre Richtung zu ziehen, um sicherzustellen, dass es sich nicht nach vorne bewegt. Wenn es sich bewegt, ist es nicht richtig fixiert und der Gurt **(F)** sollte erneut fest fixiert werden.

DE

## Überprüfen der abgeschlossenen Montage

Überprüfen Sie die folgenden Punkte.

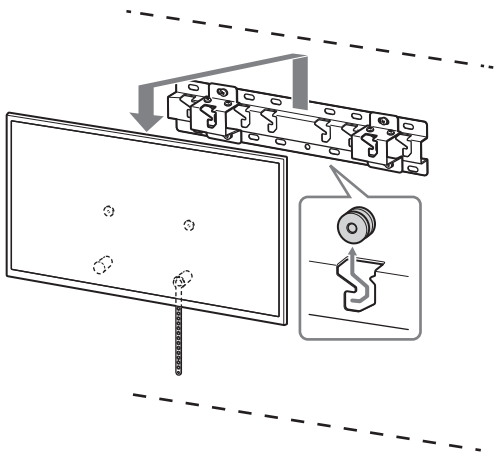
- Die Rollen **(B)** sind fest in die Grundplatte oder den Grundplattenadapter eingehängt.
- Die Kabel sind nicht verdreht oder eingeklemmt.
- Der Gurt **(F)** ist straff gespannt.

### WARNUNG

- Eine unsachgemäße Platzierung des Netzkabels usw. kann zu einem Brand oder Stromschlag durch einen Kurzschluss führen. Achten Sie darauf, die Montage bei Abschluss zur Sicherheit zu überprüfen.

## Sonstige Informationen

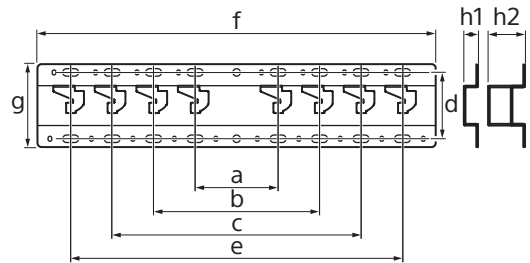
Führen Sie die Montageschritte in umgekehrter Reihenfolge durch, wenn Sie das Fernsehgerät abnehmen.



### WARNUNG

- Das Fernsehgerät sollte unbedingt von mindestens zwei Personen gehalten werden, wenn es entfernt wird.

## Technische Daten



### Abmessungen: (ca.) [mm]

- a : 100
- b : 200
- c : 300
- d : 80
- e : 400
- f : 480
- g : 100

h1 : 20 (fall 2-b)

h2 : 60 (fall 2-a)

### Gewicht (nur Grundplatte): (ca.) [kg]

0,8

Design und technische Daten können ohne vorherige Ankündigung geändert werden.

# Installatie-informatie voor de Sony-wandmontagesteun (SU-WL450)

## Ondersteunde modellen:

**KD-55XD80□□\*/49XD83□□\*/49XD80□□\*/43XD83□□\*/  
43XD80□□\***

\* In de werkelijke modelnamen staan in plaats van "□□" nummers en/of letters die voor elk model anders zijn.

### Aan de klanten

Om het apparaat te beschermen en om veiligheidsredenen raadt Sony u met klem aan de televisie te laten installeren door een Sony-dealer of een erkende installateur. Probeer de installatie niet zelf uit te voeren.

### Aan Sony-dealers en installateurs

Let goed op de veiligheid tijdens installatie, periodiek onderhoud en inspectie van dit product.

Voor de installatie van dit product is de nodige expertise vereist, met name om te bepalen of de muur sterk genoeg is om het gewicht van de televisie te dragen. Laat de installatie van dit product aan een muur uitvoeren door een Sony-dealer of een erkende installateur, en let goed op de veiligheid tijdens de installatie. Sony kan niet aansprakelijk worden gesteld voor schade of letsels als gevolg van een onjuiste behandeling of installatie.

Om de veiligheid en een degelijke installatie te verzekeren, volgt u de gebruiksaanwijzing van de wandmontagesteun, de beknopte gids van uw televisie en de instructies in deze handleiding.

## Veiligheid

Bedankt voor uw aankoop van dit product.

### Aan de klanten

Om dit product te kunnen installeren is afdoende deskundigheid nodig. Besteed de installatie uit aan dealers van Sony of aan bevoegde installateurs, en schenk tijdens de installatie speciale aandacht aan de veiligheid. Sony is niet aansprakelijk voor schade of letsel als gevolg van onjuist handelen, een onjuiste installatie of de installatie van een ander product dan het opgegeven product. Uw wettelijke rechten (indien van toepassing) worden niet aangetast.

### Aan Sony-dealers

Om dit product te kunnen installeren is afdoende deskundigheid nodig. Lees deze gebruiksaanwijzing aandachtig door zodat u de installatie veilig kunt uitvoeren. Sony is niet aansprakelijk voor schade of letsel als gevolg van onjuist handelen of een onjuiste installatie. Geef deze gebruiksaanwijzing aan de klant nadat het product is geïnstalleerd.

In deze gebruiksaanwijzing wordt beschreven hoe het product moet worden gebruikt en worden belangrijke voorzorgsmaatregelen gegeven die vereist zijn om ongelukken te voorkomen. Lees deze gebruiksaanwijzing aandachtig door en gebruik het product op de juiste manier. Bewaar deze gebruiksaanwijzing voor toekomstig gebruik.

Bij het ontwerpen van producten houdt Sony rekening met de veiligheid. Als de producten onjuist worden gebruikt, kan dit echter ernstige letsels veroorzaken als gevolg van brand, elektrische schokken, omvallen of laten vallen van het product. Houd rekening met de veiligheidsmaatregelen om dergelijke ongevallen te voorkomen.

## OPGELET

### Opgegeven producten

Deze wandmontagesteun is geschikt voor gebruik met de opgegeven tv's. Voor televisies verwijzen we naar de referentiehandleiding om na te gaan of de wandmontagesteun kan worden gebruikt.

## Aan de klanten

### WAARSCHUWING

Als u de volgende voorzorgsmaatregelen niet in acht neemt, kan dit leiden tot ernstige verwondingen of zelfs de dood ten gevolge van brand, elektrische schokken of het laten vallen van het product.

### Besteed de installatie uit aan bevoegde installateurs en houd kleine kinderen uit de buurt tijdens de installatie.

Als de wandmontagesteun of de tv niet correct wordt geïnstalleerd, kunnen de volgende ongelukken zich voordoen. Zorg ervoor dat de installatie wordt uitgevoerd door bevoegde installateurs.

- De tv kan vallen en ernstige letsels veroorzaken, zoals kneuzingen of breuken.
- Als de muur waaraan de wandmontagesteun wordt bevestigd onstabiel of ongelijk is of niet loodrecht op de vloer staat, kan de steun vallen, met letsels of beschadiging van eigendommen tot gevolg. De muur moet sterk genoeg zijn om ten minste vier keer het gewicht van de tv te dragen. (In de referentiehandleiding van uw televisie vindt u het gewicht van uw televisie.)
- Als de wandmontagesteun niet stevig genoeg aan de muur wordt bevestigd, kan de steun vallen, met letsels of beschadiging van eigendommen tot gevolg.

### Als u de tv wilt verplaatsen of van de steun wilt halen, moet u dit werk uitbesteden aan bevoegde installateurs.

Als andere personen dan bevoegde installateurs de tv verplaatsen of van de steun halen, kan de tv vallen, met letsels of beschadiging van eigendommen tot gevolg. Ten minste twee personen moeten de tv dragen of van de steun halen.

### Verwijder de schroeven niet nadat de tv aan de steun is bevestigd.

Als u dit wel doet, kan de tv vallen, met letsels of beschadiging van eigendommen tot gevolg.

### Breng geen aanpassingen aan de onderdelen van de wandmontagesteun aan.

Als u dit wel doet, kan de wandmontagesteun vallen, met letsels of beschadiging van eigendommen tot gevolg.

### Installeer geen andere producten dan het opgegeven product.

Deze wandmontagesteun is alleen geschikt voor gebruik met het opgegeven product. Als u andere producten dan het opgegeven product gaat installeren, kan het vallen of breken, met letsels of beschadiging van eigendommen tot gevolg.

### Bevestig geen ander gewicht dan de tv aan de wandmontagesteun. Schud de tv niet van links naar rechts of op en neer.

Als u dit wel doet, kan de tv vallen, met letsels of beschadiging van eigendommen tot gevolg.

### Leun niet op en hang niet aan de tv.

Leun niet op en hang niet aan de tv. De tv kan op u vallen en ernstige letsels veroorzaken.

## OPGELET

Als er geen rekening wordt gehouden met de volgende voorzorgsmaatregelen, kan dit letsel of beschadiging van eigendommen tot gevolg hebben.

### Oefen niet te veel druk uit op het product als u dit reinigt of onderhoudt.

Oefen niet te veel druk uit op de bovenkant van de tv. Als u dit wel doet, kan de tv vallen, met letsels of beschadiging van eigendommen tot gevolg.

## Vorzorgsmaatregelen

- Als u de tv langere tijd gebruikt terwijl deze aan de wandmontagesteun is bevestigd, kan de muur achter of boven de tv verkleuren en kan het behang losraken, afhankelijk van het materiaal waarvan de muur is gemaakt.
- Als u de wandmontagesteun verwijdert nadat u deze aan de muur hebt bevestigd, dan blijven de schroefgaten zichtbaar.
- Gebruik de wandmontagesteun niet op plaatsen waar deze wordt blootgesteld aan mechanische trillingen.

## De wandmontagesteun installeren

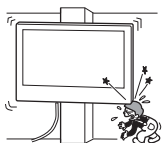
### Aan Sony-dealers

## WAARSCHUWING

De volgende instructies gelden enkel voor Sony-dealers. Lees zeker de bovenstaande veiligheidsmaatregelen en schenk extra aandacht aan de veiligheid tijdens de installatie, het onderhoud en de controle van dit product.

### Installeer de wandmontagesteun niet op een muuroppervlak waarbij de hoeken of de zijkanten van de tv de wand niet raken.

Installeer de wandmontagesteun niet op muuroppervlakken, zoals een pilaar, waarbij de hoeken of de zijkanten van de tv de wand niet raken. Als een persoon of voorwerp tegen een uitstekende hoek of zijkant van de tv botst, kan dit letsels of beschadiging van eigendommen tot gevolg hebben.

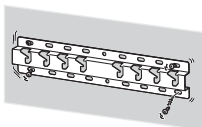


### Installeer de tv niet boven of onder een airconditioner.

Als de tv voor langere tijd wordt blootgesteld aan waterlekage of luchtcirculatie van een airconditioner, kan dit brand, elektrische schokken of een storing van de tv tot gevolg hebben.

### Bevestig de wandmontagesteun stevig aan de muur volgens de instructies in deze gebruiksaanwijzing.

Als een van de schroeven los zit of valt, kan de wandmontagesteun vallen, met letsels of beschadiging van eigendommen tot gevolg. Gebruik schroeven die geschikt zijn voor het materiaal van de muur en bevestig de steun stevig met vier of meer schroeven van 8 mm diameter (of gelijkwaardig).



**Gebruik de bijgeleverde schroeven en montageonderdelen op de juiste manier volgens de instructies in deze gebruiksaanwijzing. Als u andere onderdelen gebruikt, kan de tv vallen, met lichamelijke letsels of beschadiging van de tv tot gevolg.**

### Zorg ervoor dat u de steun correct monteert volgens de instructies in deze gebruiksaanwijzing.

Als een van de schroeven los zit of valt, kan de tv vallen, met lichamelijke letsels of beschadiging van de tv tot gevolg.

### Draai de schroeven stevig vast op de aangegeven plaats.

Als u dit niet doet, kan de tv vallen, met lichamelijke letsels of beschadiging van de tv tot gevolg.

### Stel de tv niet bloot aan schokken tijdens de installatie.

Als de tv wordt blootgesteld aan schokken, kan die vallen of breken. Dit kan letsels tot gevolg hebben.

### Bevestig de tv aan een vlakke muur die loodrecht op de vloer staat.

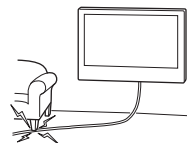
Als u dit niet doet, kan de tv vallen, met letsels tot gevolg.

### Bundel de kabels goed samen na het installeren van de tv.

Als mensen of voorwerpen blijven haperen aan de kabels, kan dit letsels of beschadiging van de tv tot gevolg hebben.

### Zorg ervoor dat het netsnoer en de verbindingkabel niet geklemd raken.

Als het netsnoer of de verbindingkabel geklemd raakt tussen de steun en de muur of als een van beide met kracht gebogen of gedraaid is, kan de interne bedrading worden blootgelegd, waardoor er kortsluiting of een stroomonderbreking kan worden veroorzaakt. Dit kan brand of elektrische schokken tot gevolg hebben.



### De schroeven die u nodig hebt om de wandmontagesteun te bevestigen, zijn niet bijgeleverd.

Gebruik voor het bevestigen van de wandmontagesteun schroeven die geschikt zijn voor het materiaal en de structuur van de muur.

## De tv aan de muur bevestigen

De installatieprocedure verschilt afhankelijk van de tv.

Gebruik de wandmontagesteun SU-WL450 om de televisie aan een muur te bevestigen.

### Opmerking

- Bewaar de verwijderde schroeven op een veilige plaats waar kinderen er niet bij kunnen.

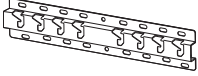

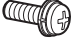











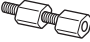



## De voorbereidingen treffen voor de installatie

- Zorg ervoor dat u de referentiehandleiding van de televisie bij de hand heeft voor u met de installatie begint.
- Leg een kruiskopschroevendraaier klaar die geschikt is voor de gebruikte schroeven.
- Bepaal waar u de tv zult installeren.
- Zorg voor vier of meer schroeven met een diameter van 8 mm en een schroef met een diameter van 5 mm of gelijkwaardig (niet bijgeleverd). Gebruik schroeven die geschikt zijn voor het materiaal van de muur.

## De onderdelen controleren

### Bijgeleverd bij SU-WL450

- Ga na of alle onderdelen bijgeleverd zijn.

<b>A</b> Voet (20) (1) 	<b>B</b> Kabelschijf (2) 
<b>C</b> PSW 6x20 (4) 	<b>D</b> PSW 4x20 met huls (2) 
<b>E</b> Afstandhouder (20) (2) 	<b>F</b> Riem (1) 
<b>G</b> Huls (20) (M4) (2) 	<b>H</b> PSW 4x20 (2) 
<b>I</b> Voetadapter (2) 	<b>J</b> PSW 4x10 (8) 
<b>K</b> Afstandhouder (60) (2) 	<b>L</b> PSW 6x50 (2) 
<b>M</b> Huls (M4) (2) 	<b>N</b> PSW 4x50 (2) 
<b>O</b> Wandmontageonderdeel (S) (2) 	<b>P</b> Afstandhouder (2) 
<b>Q</b> Onderlegging (1) 	<b>R</b> PSW 5x12 (1) 

### Bijgeleverd bij de televisie (zie achterkant)

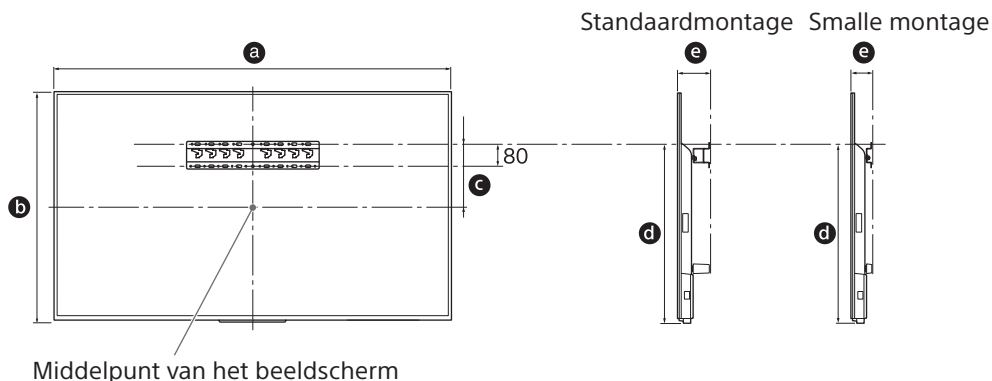
<b>Kabelhouder (1)</b> 
---

# De installatieplaats bepalen

## 1 Bepaal waar u de tv zult installeren.

Voorzie voldoende ruimte voor de televisie aan de muur en zorg ervoor dat deze minstens vier keer het gewicht van de televisie kan dragen.

Raadpleeg de volgende tabel om de televisie op de wand te installeren. Raadpleeg de referentiehandleiding van uw televisie voor het gewicht van uw televisie.



Eenheid: mm

Modelnaam KD-	Afmetingen beeldscherm		Afstand tot middelpunt beeldscherm	Afstand voor de montage		
	a	b	c	d	Standaard- montage	Smalle montage
55XD80□□	1.231	717	129	494	102	60
49XD83□□ 49XD80□□	1.093	639	181	508	102	60
43XD83□□	960	564	209	498	108	66
43XD80□□	960	564	209	498	107	65

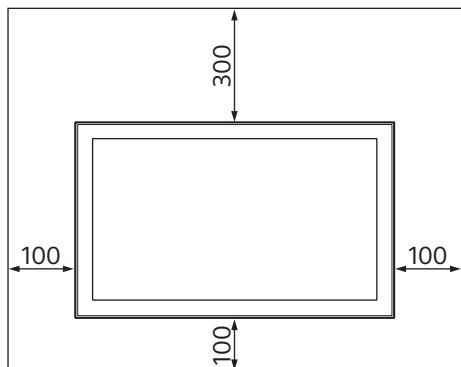
### Opmerking

- De waarden in de tabel kunnen licht afwijken afhankelijk van de installatie.



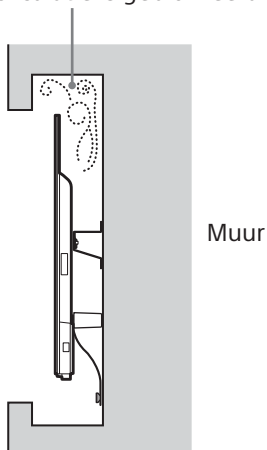
Zorg zoals hieronder weergegeven voor voldoende ruimte tussen de tv, het plafond en uitstekende delen van de muur.

Eenheid: mm



- Voor een goede ventilatie en om ophoping van vuil en stof te voorkomen:
  - Leg de televisie niet plat op de grond en installeer deze niet ondersteboven, achterstevoren of gedraaid.
  - Zet de televisie niet op een plank, tapijt, bed of in een kast.
  - Bedek de televisie niet met een doek (bv. een gordijn) of met voorwerpen als kranten enz.
  - Installeer de televisie niet zoals hieronder wordt getoond.

De luchtcirculatie is geblokkeerd.



### Opmerking

- Als u de kabels door de muur wilt geleiden, maakt u een opening in de muur om de kabels door te steken voor u aan de installatie begint. Om te voorkomen dat de kabels geklemd raken, maakt u vooraf een opening in de muur buiten de plaatsen waar de voet (20) (A), Voetadapter (1) en de afstandhouder (20) (E), afstandhouder (60) (K) gemonteerd worden.

2 Kies de wandmontagestijl. De afstand tussen de achterkant van de tv en de muur kan gekozen worden zoals hieronder aangegeven.

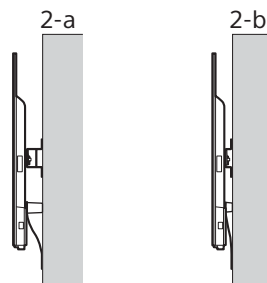
**2-a** Standaardmontage

**2-b** Smalle montage

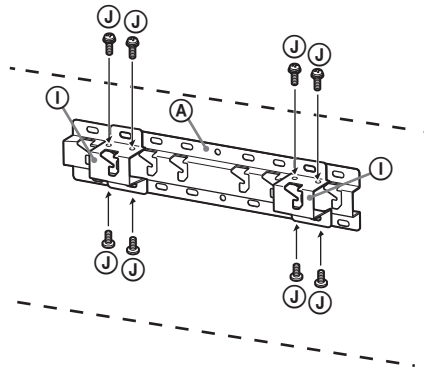
Raadpleeg de tabel in stap 1.

### WAARSCHUWING

- Als u kiest voor 2-b, zijn de aansluitingen achteraan slechts beperkt toegankelijk.

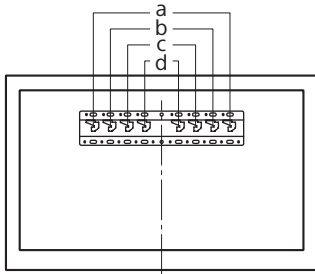


Bevestig de voetadapter (1) met de schroef (PSW 4x10) (J) aan de voet (20) (A) wanneer u kiest voor 2-a.



- 3 Raadpleeg de onderstaande tabel voor meer informatie over de bevestigingsplaats van de voetadapter. Als u kiest voor 2-b, kunt u deze stap overslaan.

Modelnaam KD-	Plaats van de haak
55XD80□□	c
49XD83□□	
49XD80□□	
43XD83□□	d
43XD80□□	



- 4 Bepaal de posities van de schroeven voor de installatie van de voet (20) (A).

Raadpleeg hiervoor de specificaties op pagina 12.

**Als u kiest voor 2-a, dient u de posities van de gaten voor de voetadapter (I) te gebruiken.**

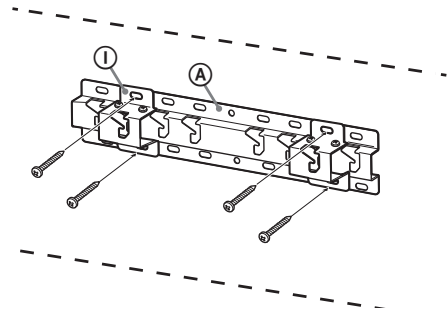
#### WAARSCHUWING

- De muur waaraan de tv bevestigd zal worden, moet sterk genoeg zijn om ten minste **vier keer** het gewicht van de tv te dragen (In de referentiehandleiding van uw televisie vindt u het gewicht van uw televisie.).
- Bepaal de sterkte van de muur waarop de tv wordt gemonteerd. Verstevig de muur indien nodig.

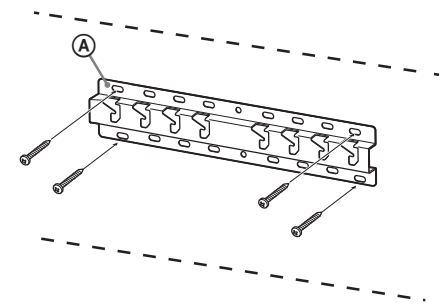
## De voet aan de muur bevestigen

- Gebruik vier of meer schroeven met een diameter van 8 mm of gelijkwaardig (niet bijgeleverd).
- **Bevestig vier schroeven in de gaten van de voetadapter (I) met de voet (20) (A) (alleen 2-a).**
- Bevestig de voet (20) (A) horizontaal aan de muur.

2-a

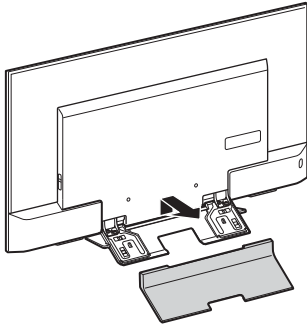


2-b



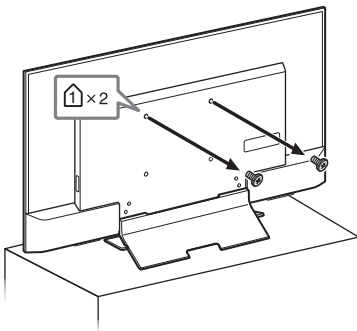
## De installatie van de tv voorbereiden

- 1 Verwijder de beschermkap van de standaard.  
(Alleen KD-55XD80□□)

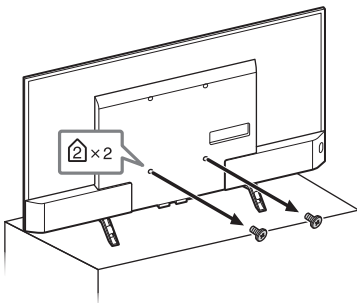


- 2 Verwijder de schroeven aan de achterkant van de televisie.

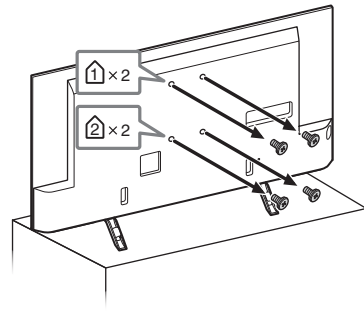
KD-55XD80□□



KD-49XD83□□/49XD80□□



KD-43XD83□□/43XD80□□

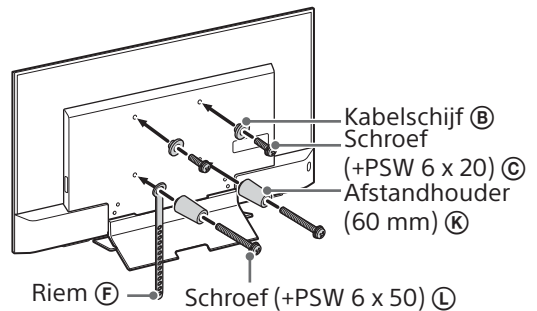


- 3 Bevestig de bevestigingsonderdelen voor de wandmontagesteun. Controleer de bevestigingsstukken door "Bijgeleverd bij SU-WL450" te raadplegen in "De onderdelen controleren" op pagina 5.

### Opmerking

- Zorg ervoor dat de bevestigingsonderdelen goed vastgeschroefd zijn.
- Wanneer u een elektrische schroevendraaier gebruikt, moet u de draaikracht instellen op ongeveer 1,5 N·m (15 kgf·cm).
- Bewaar de ongebruikte onderdelen op een veilige plaats voor toekomstig gebruik. Bewaar deze handleiding zodat u deze in de toekomst kunt raadplegen.

### Standaardmontage (2-a)

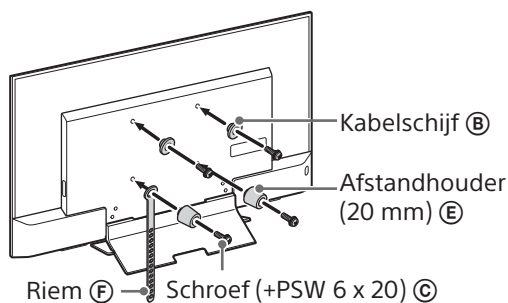
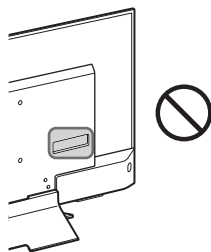


NL

## Smalle montage (2-b)

### Opmerking

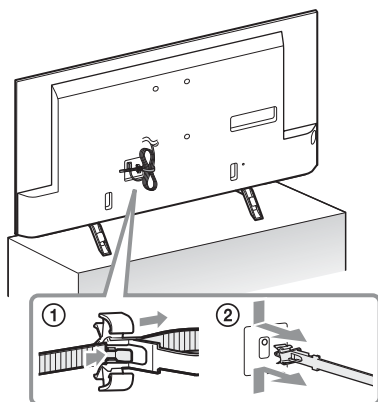
- Als u deze montagestijl kiest, kunnen bepaalde aansluitingen aan de achterkant van de televisie niet gebruikt worden.



## 4 Sluit de nodige kabels aan op de tv.

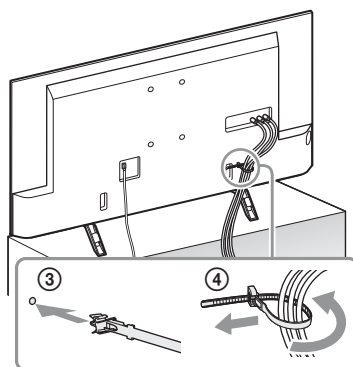
Zorg ervoor dat alle kabels aangesloten zijn voor u de tv aan de muur bevestigt. Als de tv geïnstalleerd is, kunt u de kabels niet langer aansluiten. Raadpleeg de referentiehandleiding die bij uw televisie is geleverd.

## 5 Maak de kabelhouder (bijgeleverd met de televisie). (alleen KD-43XD83□□/43XD80□□)



## 6 Bind de kabels samen.

Bij de KD-43XD83□□/43XD80□□ bevestigt u de kabelhouder aan een van de openingen.

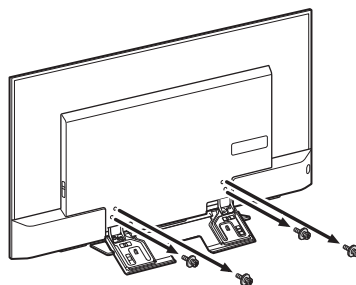


### Opmerking

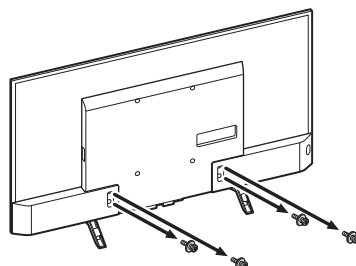
- Als u de kabels in de muur wilt geleiden, is het aan te raden dit uit te besteden aan een erkende installateur.
- Bundel de kabels samen om te voorkomen dat u erop trapt voor u de tv aan de muur bevestigt.

## 7 Maak de tafelstandaard los van de televisie.

Alleen KD-55XD80□□



Behalve voor KD-55XD80□□

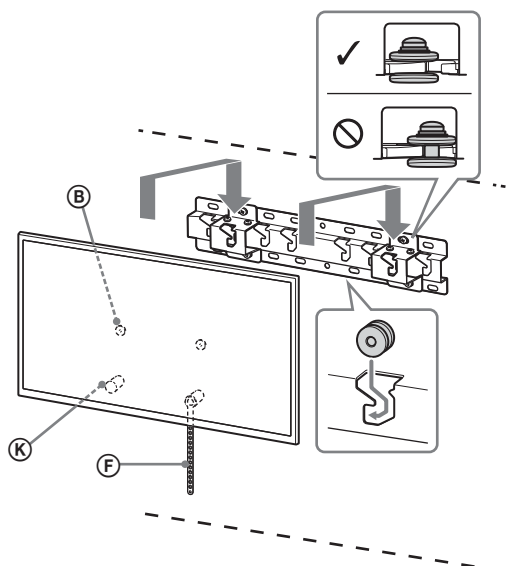


# De tv aan de muur bevestigen

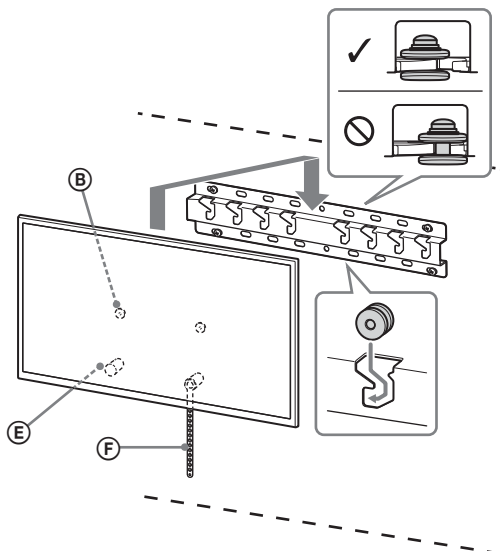
## 1 Monteer de tv op de voet.

- De locatie van de kabelschijven **(B)** voor het bevestigen van de tv aan de voet kunt u terugvinden in de tabel bij stap 3 onder "De installatieplaats bepalen" op pagina 8.
- Houd de tv stevig vast met beide handen en hang de kabelschijven **(B)** die bevestigd zijn aan de achterkant van de tv voorzichtig aan de voet. Let hierbij op de vorm van de openingen.
- Controleer na het bevestigen van de tv aan de muur of de kabelschijven **(B)** stevig verankerd zijn in de voet of voetadapter.

2-a



2-b

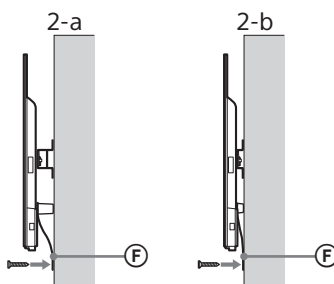


### WAARSCHUWING

- Draag de tv altijd minstens met twee personen.

## 2 Voorkom dat de onderkant van de tv gaat bewegen.

- Span de riem **(F)** goed aan en bevestig deze stevig aan de muur.



- Gebruik een schroef met een diameter van 5 mm of gelijkwaardig (niet bijgeleverd).

### Opmerking

- Probeer zacht de onderkant van de tv naar u toe te trekken om te controleren dat deze niet kan bewegen. Als de tv nog beweegt, is deze niet correct bevestigd en moet de riem **(F)** opnieuw vastgemaakt worden.

NL

## De installatie controleren

Controleer de volgende punten.

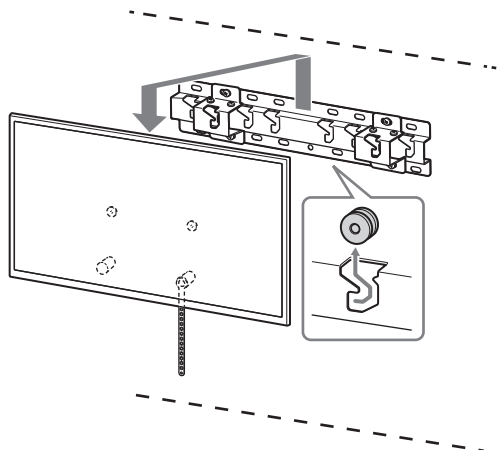
- De kabelslijven **B** zijn stevig verankerd in de voet of voetadapter.
- Het snoer en de kabel zijn niet verstrengeld of gekneld.
- De riem **F** is stevig aangespannen.

### WAARSCHUWING

- Een fout aangesloten netsnoer enz. kan door een kortsluiting brand of elektrische schokken veroorzaken. Controleer altijd achteraf de installatie om zeker te zijn dat alles veilig is.

## Extra informatie

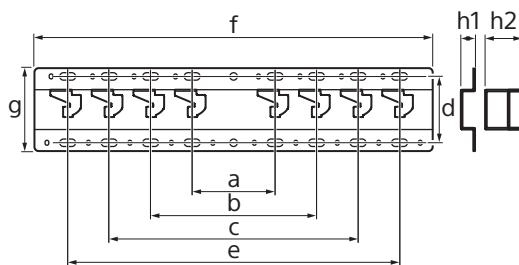
Voer de hiervoor beschreven installatieprocedure omgekeerd uit om de tv van de muur te verwijderen.



### WAARSCHUWING

- Verwijder de tv altijd minstens met twee personen.

## Technische gegevens



### Afmetingen: (ong.) [mm]

- a : 100
- b : 200
- c : 300
- d : 80
- e : 400
- f : 480
- g : 100

h1 : 20 (voor 2-b)

h2 : 60 (voor 2-a)

### Gewicht ongeveer 0,8 kg (alleen voet)

Wijzigingen aan het ontwerp en de technische gegevens zijn voorbehouden zonder kennisgeving.

# Informazioni sull'installazione per l'utilizzo della staffa di montaggio a parete Sony (SU-WL450)

## Modelli supportati:

**KD-55XD80□□\*/49XD83□□\*/49XD80□□\*/43XD83□□\*/  
43XD80□□\***

\* Nei nomi dei modelli, "□□" indica numeri e/o caratteri utilizzati per designare i singoli modelli.

### Ai Clienti

Per la protezione del prodotto e per motivi di sicurezza, Sony consiglia caldamente di far realizzare l'installazione del televisore da rivenditori Sony o distributori autorizzati. Non cercare di installare il televisore da soli.

### Per i rivenditori e gli installatori Sony

Prestare particolare attenzione alle misure di sicurezza durante l'installazione, la manutenzione periodica e la revisione del presente prodotto.

Per l'installazione di questo prodotto è necessaria una certa esperienza, soprattutto per stabilire la resistenza del muro che dovrebbe sostenere il peso del televisore. Affidare il lavoro di collocazione di questo prodotto a parete a rivenditori Sony o a distributori autorizzati e prestare l'attenzione necessaria alla sicurezza durante l'installazione. Sony non si assume alcuna responsabilità in caso di danni o ferite causate da una gestione non adeguata o da un'installazione scorretta.

Per ragioni di sicurezza e per una corretta installazione, attenersi alle Istruzioni per l'uso della staffa di montaggio a parete, alla Guida di avvio del televisore e alle indicazioni contenute in questo manuale.

## Informazioni sulla sicurezza

Grazie per aver acquistato questo prodotto.

### Informazioni per i clienti

Per l'installazione di questo prodotto è necessario disporre di sufficiente competenza. Assicurarsi che l'installazione venga eseguita da rivenditori Sony o da personale autorizzato e prestare particolare attenzione alla sicurezza durante le operazioni di installazione. Sony non potrà essere ritenuta responsabile per danni o lesioni causate da usi non appropriati del prodotto, da installazione non corretta o da installazioni di prodotti diversi da quello specificato. Quanto dichiarato non pregiudica (eventuali) diritti legali dell'acquirente.

### Informazioni per i rivenditori Sony

Per l'installazione di questo prodotto è necessario disporre di sufficiente competenza. Leggere attentamente il presente manuale di istruzioni per garantire la corretta esecuzione della procedura di installazione. Sony non potrà essere ritenuta responsabile per danni o lesioni causate da usi non appropriati del prodotto o da installazione non corretta. Consegnare il presente manuale al cliente dopo l'installazione.

Il presente manuale di istruzioni spiega come utilizzare correttamente questo prodotto; inoltre, contiene precauzioni importanti da rispettare per prevenire incidenti. Accertarsi di leggere attentamente questo manuale e di utilizzare correttamente il prodotto. Conservare questo manuale a portata di mano per poterlo consultare in futuro.

I prodotti Sony sono progettati per essere sicuri. Ciononostante, è possibile che, se i prodotti vengono utilizzati in modo errato, si verifichino lesioni gravi dovute a incendi, scosse elettriche, ribaltamento o caduta dei prodotti stessi. Onde evitare tali incidenti, accertarsi di osservare le appropriate precauzioni per la sicurezza.

## ATTENZIONE

### Prodotti specificati

Questa staffa di montaggio a parete è progettata per essere utilizzata con i televisori specificati. Per quanto riguarda i televisori, consultare la relativa Guida di riferimento per verificare se la presente staffa di montaggio a parete può essere utilizzata.

## Informazioni per i clienti

### AVVERTENZA

Se le precauzioni riportate di seguito non vengono rispettate, è possibile procurarsi lesioni gravi o mortali a causa di incendi, scosse elettriche o caduta del prodotto.

### Assicurarsi che l'installazione venga eseguita da personale autorizzato e tenere lontani i bambini durante l'installazione.

Se la staffa di montaggio a parete o il televisore non vengono installati correttamente, possono verificarsi i seguenti incidenti. Accertarsi che l'installazione sia effettuata da personale autorizzato.

- Il televisore potrebbe cadere e causare lesioni gravi, per esempio contusioni o fratture.
- Se la parete su cui viene installata la staffa di montaggio a parete è instabile, irregolare oppure non è perpendicolare al pavimento, l'unità potrebbe cadere causando lesioni o danni a oggetti. La parete deve essere in grado di sostenere un peso almeno quattro volte superiore a quello del televisore. (Consultare la Guida di riferimento del televisore per verificarne il peso.)
- Se l'installazione a muro della staffa di montaggio non è sufficientemente salda sulla parete, l'unità potrebbe cadere e causare lesioni o danni a oggetti.

### Assicurarsi che lo spostamento o lo smontaggio del televisore vengano eseguiti da personale autorizzato.

Qualora lo spostamento o lo smontaggio del televisore vengano eseguiti da personale non autorizzato, il televisore potrebbe cadere e causare lesioni o danni a oggetti. Assicurarsi che il televisore venga trasportato o smontato da almeno due persone.

### Dopo aver completato il montaggio del televisore, non rimuovere viti o altri elementi simili.

In caso contrario, il televisore potrebbe cadere e provocare lesioni o danni a oggetti.

### Non effettuare modifiche sulla staffa di montaggio a parete.

In caso contrario, la staffa di montaggio a parete potrebbe cadere e provocare lesioni o danni a oggetti.

### Non montare prodotti diversi da quelli specificati.

Questa staffa di montaggio a parete è progettata per essere utilizzata esclusivamente con il prodotto specificato. Se viene montato un prodotto diverso da quello specificato, questo potrebbe cadere o rompersi causando lesioni o danni a oggetti.

### Non collocare altri oggetti diversi dal televisore sulla staffa di montaggio a parete. Non scuotere il televisore verso destra/sinistra o verso l'alto/il basso.

In caso contrario, il televisore potrebbe cadere e provocare lesioni o danni a oggetti.

### Non appoggiarsi né aggarrarsi al televisore.

Non appoggiarsi né aggarrarsi al televisore perché potrebbe cadere e causare lesioni gravi.

## ATTENZIONE

In caso di inosservanza delle seguenti precauzioni, potrebbero verificarsi lesioni o danni a oggetti.

### Non esercitare una pressione eccessiva sul prodotto durante le operazioni di pulizia o manutenzione.

Non applicare una forza eccessiva sulla parte superiore del televisore. In caso contrario, il televisore potrebbe cadere e provocare lesioni o danni a oggetti.

## Precauzioni

- Se si utilizza il televisore installato sulla staffa di montaggio a parete per un tempo prolungato, è possibile che la parete dietro o sopra il televisore si scolorisca o che la carta da parati si stacchi, a seconda del materiale di cui è costituita la parete.
- Se la staffa di montaggio a parete viene rimossa dopo essere stata installata sulla parete, i fori delle viti rimangono.
- Non utilizzare la staffa di montaggio a parete in luoghi soggetti a vibrazioni meccaniche.



## Installazione della staffa di montaggio a parete

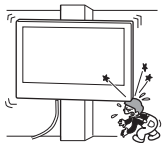
Informazioni per i rivenditori Sony

### AVVERTENZA

Le seguenti istruzioni si rivolgono esclusivamente ai rivenditori Sony. Accertarsi di leggere le precauzioni per la sicurezza descritte in precedenza e prestare particolare attenzione alla sicurezza durante le operazioni di installazione, manutenzione e controllo del prodotto.

### Non installare la staffa di montaggio a parete su un muro dove gli angoli o i lati del televisore sporgono dalla superficie del muro stesso.

Non installare la staffa di montaggio a parete su un pilastro se gli angoli o i lati del televisore sporgono dalla superficie del pilastro stesso. Se una persona o un oggetto dovessero urtare la parte sporgente del televisore, potrebbero verificarsi lesioni o danni a oggetti.

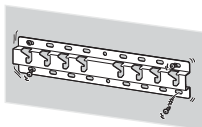


### Non installare il televisore sopra o sotto un condizionatore d'aria.

Se il televisore rimane esposto a perdite d'acqua o correnti d'aria provenienti da un condizionatore per lungo tempo, potrebbero verificarsi incendi, scosse elettriche o malfunzionamenti del televisore.

### Accertarsi di installare saldamente la staffa di montaggio a parete rispettando le istruzioni contenute in questo manuale.

Se una o più viti dovessero apparire allentate o dovessero cadere, la staffa di montaggio a parete potrebbe cadere a sua volta, causando lesioni a persone o danni a oggetti. Assicurarsi di utilizzare le viti appropriate al materiale di cui è costituita la parete e installare il prodotto saldamente utilizzando almeno quattro viti con diametro di 8 mm (o equivalenti).



**Accertarsi di utilizzare correttamente le viti e gli altri materiali per l'installazione in dotazione rispettando le istruzioni contenute in questo manuale di istruzioni. Se si utilizzano altri materiali, il televisore potrebbe cadere e causare lesioni a persone o danni al televisore stesso.**

### Accertarsi di montare correttamente la staffa rispettando la procedura spiegata nel presente manuale di istruzioni.

Se una o più viti dovessero apparire allentate o dovessero cadere, il televisore potrebbe cadere e causare lesioni a persone o danni al televisore stesso.

### Accertarsi di serrare saldamente le viti nella posizione indicata.

In caso contrario, il televisore potrebbe cadere e causare lesioni a persone o danni al televisore stesso.

### Evitare che il televisore subisca urti durante l'installazione.

Se il televisore subisce urti, potrebbe cadere o rompersi. Ciò potrebbe causare lesioni.

### Accertarsi di installare il televisore su una parete perpendicolare e piana.

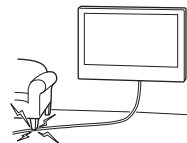
In caso contrario, il televisore potrebbe cadere e provocare lesioni.

### Dopo aver completato correttamente l'installazione del televisore, fissare correttamente i cavi.

Qualora persone o oggetti dovessero rimanere impigliati nei cavi, ciò potrebbe causare lesioni o danni al televisore.

### Verificare che il cavo di alimentazione CA o il cavo di collegamento non rimangano incastrati.

Se il cavo di alimentazione CA o il cavo di collegamento rimangono incastrati tra il prodotto e la parete oppure vengono piegati o attorcigliati forzatamente, è possibile che i conduttori interni restino scoperti, provocando cortocircuiti o rotture dei cavi stessi. Ciò potrebbe causare incendi o scosse elettriche.



### Le viti necessarie per l'installazione a parete della staffa di montaggio non sono fornite in dotazione.

Per montare la staffa di montaggio a parete, utilizzare le viti appropriate per il materiale di cui è composta la parete.

## Installazione del televisore a parete

La procedura di installazione cambia a seconda del televisore da installare. Utilizzare la staffa di montaggio a parete SU-WL450 per installare il televisore alla parete.

### Nota

- Assicurarsi di conservare le viti rimosse in un luogo sicuro, lontano dalla portata dei bambini.

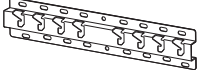













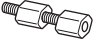



## Preparazione per l'installazione

- Tenere a portata di mano la Guida di riferimento del televisore, prima di iniziare l'installazione.
- Accertarsi di avere a disposizione un cacciavite a stella adeguato alle viti prima di procedere con l'installazione.
- Controllare la posizione di installazione del televisore.
- Preparare almeno quattro viti con diametro di 8 mm e una vite con diametro di 5 mm o equivalenti (non in dotazione). Scegliere viti adatte al materiale di cui è composta la parete.


## Controllo degli elementi

### In dotazione con SU-WL450

- Verificare che tutti gli elementi necessari siano inclusi.

<b>A</b> Base (20) (1) 	<b>B</b> Gancio (2) 
<b>C</b> PSW 6x20 (4) 	<b>D</b> PSW 4x20 con boccola (2) 
<b>E</b> Distanziale (20) (2) 	<b>F</b> Cinghia (1) 
<b>G</b> Boccola (20) (M4) (2) 	<b>H</b> PSW 4x20 (2) 
<b>I</b> Adattatore della base (2) 	<b>J</b> PSW 4x10 (8) 
<b>K</b> Distanziale (60) (2) 	<b>L</b> PSW 6x50 (2) 
<b>M</b> Boccola (M4) (2) 	<b>N</b> PSW 4x50 (2) 
<b>O</b> Materiali per il montaggio a parete (S) (2) 	<b>P</b> Distanziale (2) 
<b>Q</b> Rondella (1) 	<b>R</b> PSW 5x12 (1) 

### In dotazione con il televisore (fissato alla parte posteriore)

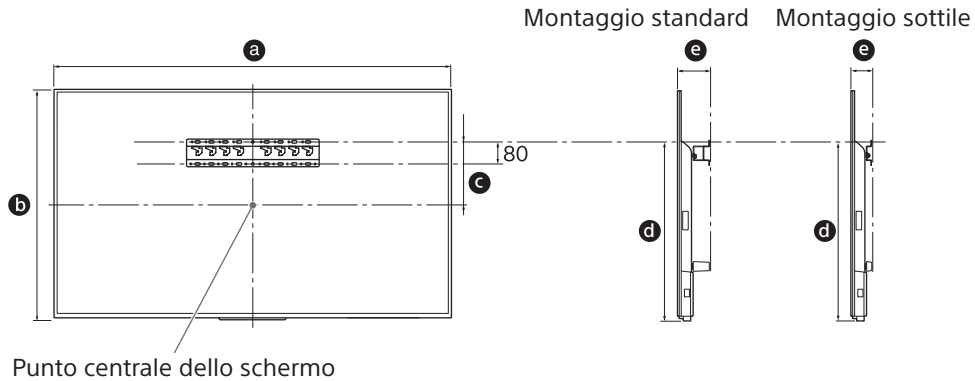
Portacavi (1) 
--

# Scelta della posizione di installazione

## 1 Scegliere la posizione di installazione.

Assicurarsi che la parete abbia abbastanza spazio per il televisore e sia in grado di sostenere un peso pari almeno a quattro volte quello del televisore.

Consultare la seguente tabella sull'installazione del televisore alla parete. Consultare la Guida di riferimento del televisore per conoscere il suo peso.



Unità: mm

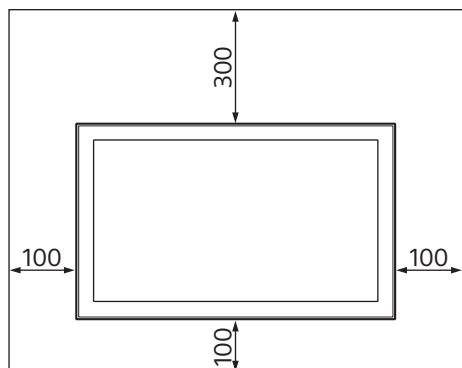
Nome del modello KD-	Dimensioni del display		Dimensione centrale dello schermo	Lunghezza per il montaggio		
	a	b	c	d	e	
					Montaggio standard	Montaggio sottile
55XD80□□	1.231	717	129	494	102	60
49XD83□□ 49XD80□□	1.093	639	181	508	102	60
43XD83□□	960	564	209	498	108	66
43XD80□□	960	564	209	498	107	65

### Nota

- I numeri nella tabella potrebbero variare leggermente a seconda dell'installazione.

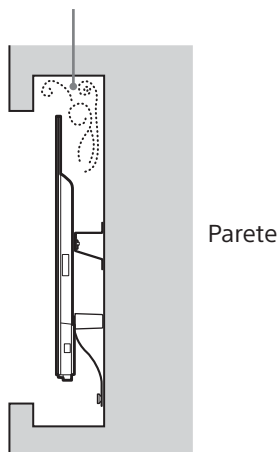
Accertarsi di lasciare uno spazio libero adeguato tra il televisore e il soffitto e le parti sporgenti della parete, come illustrato sotto.

Unità: mm



- Per garantire un'adeguata ventilazione ed evitare la raccolta di sporco o polvere:
  - Non posare il televisore piatto, né installarlo in posizione capovolta, girato all'indietro o lateralmente.
  - Non posizionare il televisore su uno scaffale, un tappeto, un letto o dentro un armadio.
  - Non coprire il televisore con tessuti od oggetti, come per esempio tende, giornali e simili.
  - Non installare il televisore nel modo indicato di seguito.

Circolazione dell'aria bloccata.



### Nota

- Se si intende far passare i cavi attraverso la parete, effettuare un foro nella parete per inserire i cavi prima di iniziare l'installazione. Per evitare che i cavi rimangano incastrati, posizionare il foro nella parete in modo che si trovi all'esterno del perimetro della base (20) Ⓐ, adattatore della base ① e del distanziale (20) Ⓒ, del distanziale (60) Ⓚ.

2 Selezionare lo stile di montaggio a parete. La distanza del retro del televisore dalla parete è selezionabile come mostrato sotto.

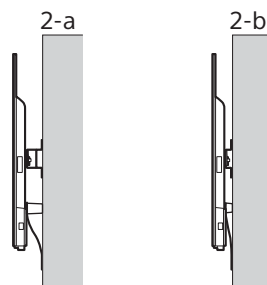
**2-a** Montaggio standard

**2-b** Montaggio sottile

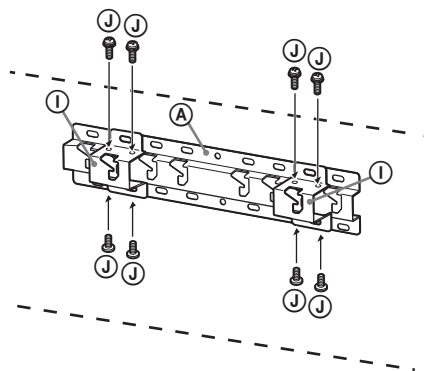
Consultare la tabella del passaggio 1.

### AVVERTENZA

- Con il montaggio 2-b, l'accesso al terminale posteriore è limitato.

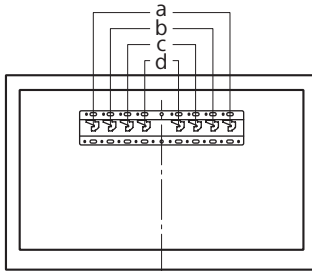


Fissare l'adattatore della base ① utilizzando la vite (PSW 4x10) Ⓜ alla base (20) Ⓐ se si seleziona 2-a.



- 3 Consultare la tabella seguente sulla posizione di montaggio dell'adattatore della base. In caso si selezioni 2-b, saltare questa fase.

Nome del modello KD-	Posizione dei ganci
55XD80□□ 49XD83□□ 49XD80□□	c
43XD83□□ 43XD80□□	d



- 4 Decidere le posizioni delle viti per l'installazione della base (20) Ⓐ.

Consultare le caratteristiche tecniche a pagina 12.

**Se si seleziona 2-a, utilizzare le posizioni dei fori dell'adattatore della base ①.**

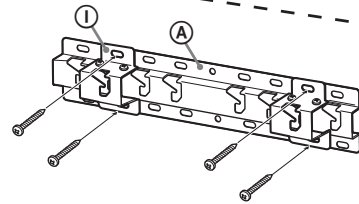
#### AVVERTENZA

- La parete su cui verrà montato il televisore deve essere in grado di sostenere un peso almeno **quattro volte superiore** a quello del televisore (Consultare la Guida di riferimento del televisore per verificarne il peso.).
- Verificare la robustezza della parete su cui sarà montato il televisore. Se necessario, rinforzare la parete.

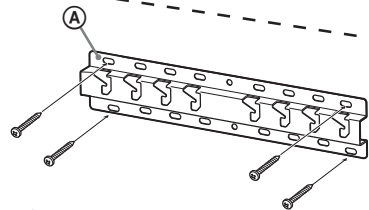
## Installazione della base sulla parete

- Utilizzare almeno quattro viti con diametro di 8 mm o equivalenti (non in dotazione).
- **Fissare quattro viti nei fori dell'adattatore della base ① Con base (20) Ⓐ (solo 2-a).**
- Installare la base (20) Ⓐ sulla parete orizzontalmente.

2-a

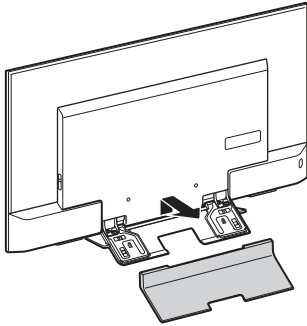


2-b



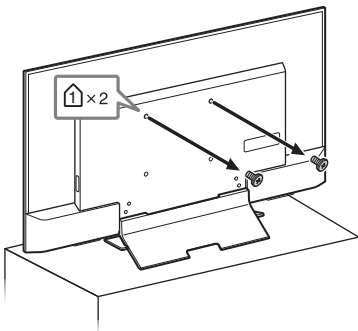
## Preparazione per l'installazione del televisore

- 1 Rimuovere il coperchio del supporto.  
(Solo KD-55XD80□□)

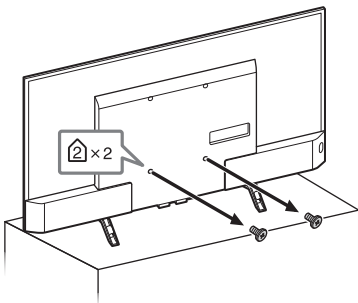


- 2 Rimuovere le viti dalla parte posteriore del televisore.

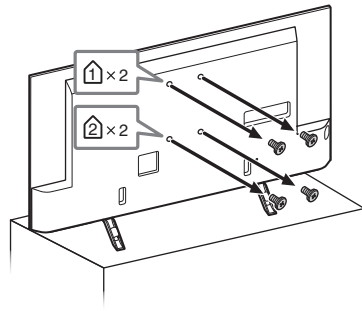
KD-55XD80□□



KD-49XD83□□/49XD80□□



KD-43XD83□□/43XD80□□

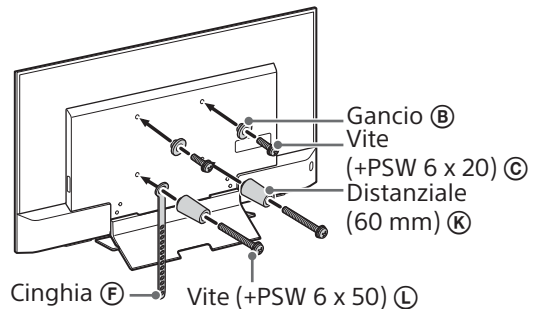


- 3 Fissare gli elementi di fissaggio per la staffa di montaggio a parete. Controllare gli elementi di fissaggio consultando la sezione "In dotazione con SU-WL450" sotto "Controllo degli elementi" a pagina 5.

### Nota

- Fissare saldamente gli elementi di fissaggio usando le viti.
- Se si utilizza un cacciavite elettrico, la coppia deve essere pari a circa 1,5 N·m (15 kgf·cm).
- Assicurarsi di conservare le parti inutilizzate in un luogo sicuro per un utilizzo futuro. Conservare il presente manuale per riferimenti futuri.

### Montaggio standard (2-a)

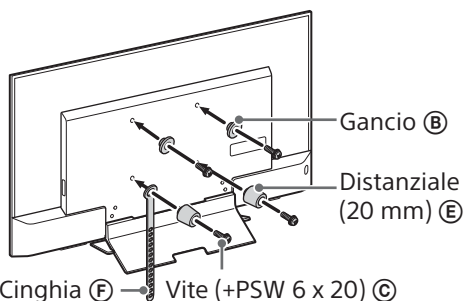
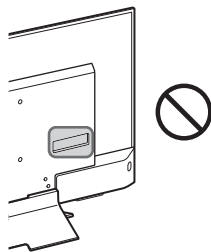


IT

## Montaggio sottile (2-b)

### Nota

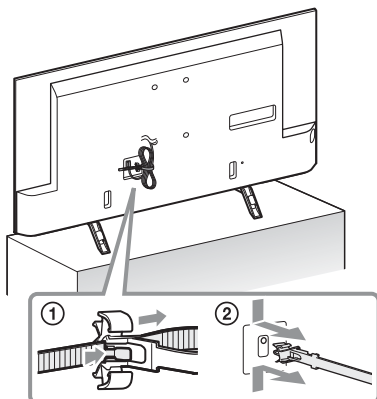
- Non è possibile utilizzare alcuni dei terminali presenti sulla parte posteriore del televisore quando si utilizza questo stile di montaggio.



## 4 Collegare i(l) cavi(o) necessari(o) al televisore.

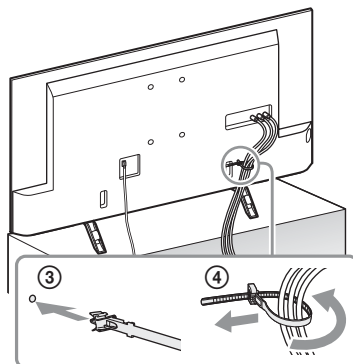
Accertarsi di collegare i cavi prima di installare il televisore sulla parete. Non sarà più possibile collegare i cavi dopo l'installazione del televisore. Consultare la Guida di riferimento in dotazione con il televisore.

## 5 Staccare il portacavi (in dotazione con il televisore). (solo KD-43XD83□□/43XD80□□)



## 6 Collegare i cavi.

Per i modelli KD-43XD83□□/43XD80□□, fissare il portacavi a uno dei fori interni.

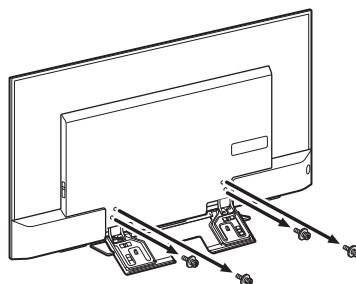


### Nota

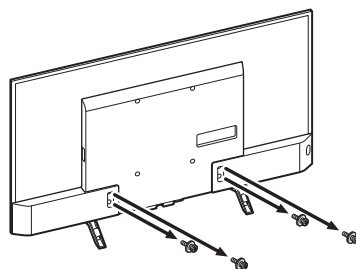
- Assicurarsi che l'inserimento dei cavi nella parete sia eseguito da personale autorizzato.
- Raggruppare i cavi di collegamento per evitare di calpestarli prima del montaggio a parete.

## 7 Rimuovere il supporto da tavolo dal televisore.

Solo KD-55XD80□□



Tranne KD-55XD80□□

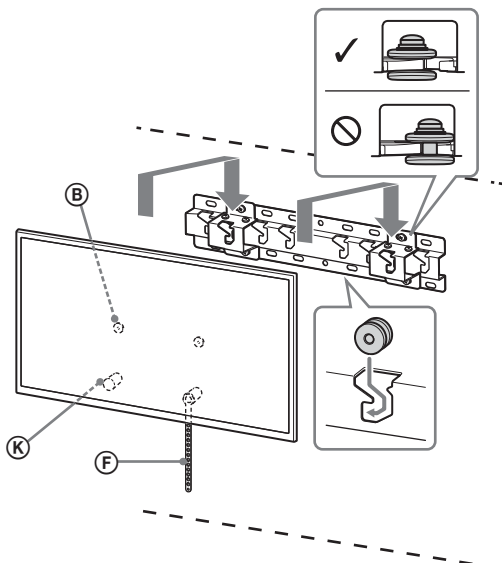


# Installazione del televisore a parete

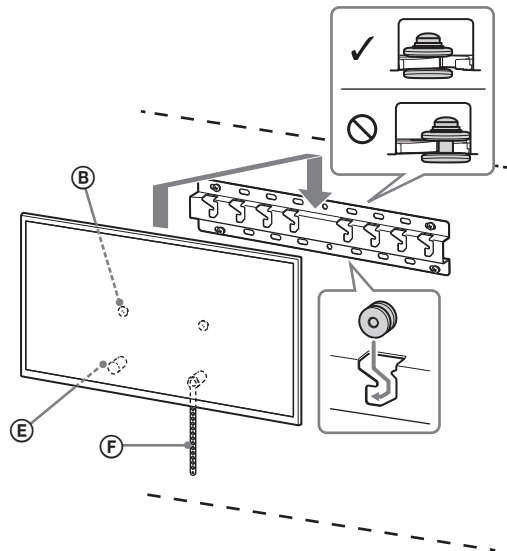
## 1 Installare il televisore sulla base.

- Per quanto riguarda la posizione dei ganci **(B)** da fissare alla base, fare riferimento alla tabella del passaggio 3 in "Scelta della posizione di installazione" a pagina 8.
- Tenere saldamente il televisore con entrambe le mani e agganciare delicatamente i ganci **(B)** posizionati sul retro del televisore alla base, accertandosi di controllare la forma dei fori.
- Dopo l'installazione del televisore alla parete, verificare che le pulegge **(B)** siano fissate saldamente alla base o all'adattatore della base.

2-a



2-b

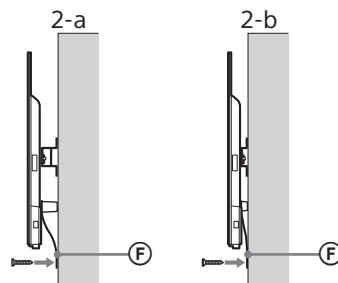


### AVVERTENZA

- Accertarsi che il televisore sia tenuto da almeno due persone durante il sollevamento.

## 2 Evitare che il fondo del televisore si sposti.

- Sollevare il cinghia **(F)** e fissarlo saldamente alla parete.



- Utilizzare una vite con diametro di 5 mm o equivalente (non in dotazione).

### Nota

- Tirare delicatamente il fondo del televisore verso di sé per verificare che il televisore non si possa muovere. Se il televisore si muove, significa che non è stato fissato correttamente ed è necessario fissare nuovamente il cinghia **(F)** in modo saldo.

IT



## Controllo finale dopo l'installazione

Verificare quanto segue.

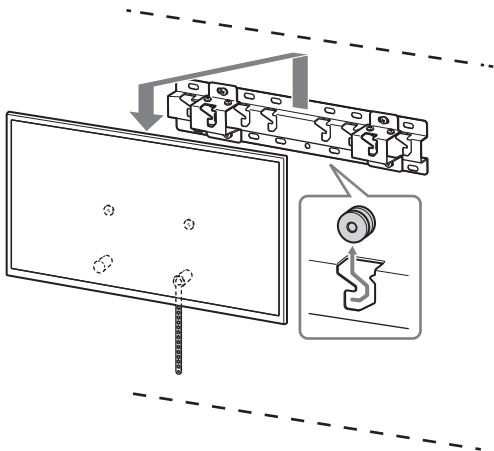
- Le pulegge **(B)** sono fissate saldamente alla base o all'adattatore della base.
- I cavi non sono attorcigliati o incastrati.
- Il cinghia **(F)** è fissato saldamente e non è allentato.

### AVVERTENZA

- Un posizionamento non corretto del cavo di alimentazione CA ecc. può causare corto circuiti e, di conseguenza, incendi o scosse elettriche. Una volta completata l'installazione, accertarsi di verificarne la sicurezza.

## Altre informazioni

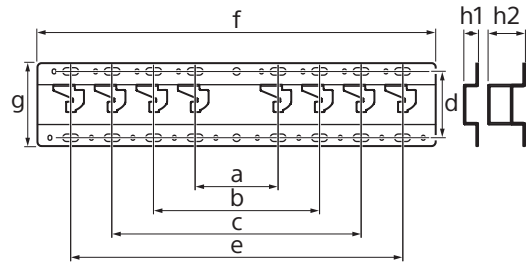
Per rimuovere il televisore, attenersi alla procedura di installazione descritta in precedenza, ma in ordine inverso.



### AVVERTENZA

- Accertarsi che il televisore sia tenuto da almeno due persone durante la rimozione.

## Caratteristiche tecniche



### Dimensioni: (Circa) [mm]

- a : 100
- b : 200
- c : 300
- d : 80
- e : 400
- f : 480
- g : 100

h1 : 20 (caso 2-b)

h2 : 60 (caso 2-a)

### Peso (solo base): (Circa) [kg]

0,8

Design e specifiche tecniche sono soggette a modifiche senza preavviso.

# Installationsinformation för användning av Sony Väggfäste (SU-WL450)

## Modeller som stöds:

**KD-55XD80□□\*/49XD83□□\*/49XD80□□\*/43XD83□□\*/  
43XD80□□\***

\* I aktuella modellnamn anger "□□" siffror och/eller tecken som är specifika för varje modell.

### Till kunder

För att skydda produkten och av säkerhetsskäl rekommenderar Sony starkt att TV:n installeras av Sony-återförsäljare eller licensierade installatörer. Försök inte att installera den själv.

### Till Sony-återförsäljare och installatörer

Ägna full uppmärksamhet åt säkerheten under installation, periodiskt underhåll och undersökning av denna produkt.

Tillräcklig expertis krävs för att installera denna produkt, speciellt för att fastställa väggens styrka när det gäller att hålla upp TV:ns vikt. Anlita alltid en Sony-återförsäljare eller en licensierad installatör och ägna vederbörlig uppmärksamhet åt säkerhet under installationen. Sony är inte ansvarsskyldiga för materiella skador eller personskador som orsakats av felaktig hantering eller felaktig installation.

För säker och korrekt installation ska du följa väggfästets bruksanvisning, TV:ns startguide och anvisningarna i denna handbok.

## Om säkerhet

Tack för att du valt denna produkt.

### Till kunder

Installationen av denna produkt kräver att du har tillräckliga kunskaper. Se till att anlita en Sony-återförsäljare eller en behörig montör för att utföra installationen och var särskilt noggrann med säkerheten under installationen. Sony är inte ansvarigt för eventuella person- eller materiella skador som orsakats av felaktig hantering eller felaktig installation, eller av att annat än den specificerade produkten installerats. Dina eventuella lagenliga rättigheter påverkas inte.

### För Sony-återförsäljare

Installationen av denna produkt kräver att du har tillräckliga kunskaper. För att du ska kunna göra den här installationen säker måste du ta del av informationen i den här bruksanvisningen. Sony kan inte hållas ansvarigt för eventuella skador eller personskador som orsakats av felaktig användning eller felaktig installation. Vänligen ge den här bruksanvisningen till kunden efter utförd installation.

I den här bruksanvisningen finns instruktioner för hur produkten används samt information om sådant som du bör känna till för att undvika olyckor. Läs den här guiden noga och använd produkten enligt instruktionerna. Behåll den här bruksanvisningen för framtida bruk.

Produkter från Sony är utformade med tanke på säkerhet. Om produkterna emellertid används felaktigt kan det leda till allvarliga personskador till följd av brand, elstötar eller av att produkten välts eller fallit ned. Förebygg sådana olyckor genom att inte åsidosätta säkerheten.

## SE UPP

### Angivna produkter

Detta väggfäste är tillverkat för att användas tillsammans med passande TV-apparater. Se respektive referensguide för varje TV-apparat för att se om detta väggfäste kan användas.

## Till kunder

### VARNING

Om följande säkerhetsföreskrifter inte följs kan det leda till allvariga personskador eller dödsfall som följd av brand, elektriska stötar, att produkten välter eller faller ner.

### Överlåt installationen till behörig personal och se till att små barn inte befinner sig i närheten när installationen utförs.

Om väggfästet eller TV:n inte installeras på rätt sätt kan följande olyckor ske. Se till att installationen utförs av behörig personal.

- TV:n kan falla ner och orsaka allvarliga skador som skrapår eller benbrott.
- Om väggen där väggfästet monteras inte är stabil, jämn eller lodrät mot golvet, kan enheten lossna och orsaka skador på person och/eller egendom. Väggen skall vara stark nog att klara en vikt på minst fyra gånger TV:ns vikt. (Mer information om vikten finns i referensguiden till TV:n.)
- Om inte installationen av väggfästet sitter stabilt kan enheten lossna och orsaka skador på person och/eller egendom.

### Överlåt förflyttning eller nedmontering av TV:n till behörig person.

Om obehöriga personer transporterar eller monterar ner TV:n kan den falla och orsaka allvarliga person- eller egendomsskador. Se till att alltid minst två personer bär eller monterar ner TV:n.

### Ta inte ur några skruvar etc. efter att TV:n monterats.

Det kan leda till att TV:n faller ner och orsakar allvarliga person- eller egendomsskador.

### Modifiera inte väggfästets olika delar.

Då kan väggfästet lossna och orsaka skador på person och/eller egendom.

### Montera ingen annan utrustning än den specificerade produkten.

Detta väggfäste är tillverkat enbart för användning tillsammans med angiven produkt. Om du använder det för montering av annan utrustning kan det lossna eller gå sönder och orsaka skador på person eller egendom.

### Utsätt inte väggfästet för annan belastning än den från TV:n.

### Skaka inte TV:n åt vänster/höger, uppåt/ nedåt.

Det kan leda till att TV:n faller ner och orsakar allvarliga person- eller egendomsskador.

### Luta dig inte mot eller häng på TV:n.

Luta dig inte mot eller häng på TV:n eftersom den kan falla ner på dig och orsaka allvarlig skada.

## SE UPP

Om du inte efterföljer följande säkerhetsföreskrifter finns det risk för personskador eller skador på egendom.

### Hantera enheten försiktig när du rengör den eller utför underhåll.

Tyng inte onödigt mycket på TV:ns ovasida. Det kan leda till att TV:n faller ner och orsakar allvarliga person- eller egendomsskador.

## Försiktighetsåtgärder

- Om du använder TV:n monterad på väggfästet under en längre tid, finns det risk att väggen bakom eller ovanför TV:n missfärgas eller att tapeten lossnar, beroende på väggmaterialet.
- Om du tar bort väggfästet från väggen efter installationen finns skruvhålen kvar i väggen.
- Använd inte väggfästet på platser som är utsatta för mekanisk vibration.

## Installera väggfästet

### Till Sony-återförsäljare

### VARNING

Följande instruktioner gäller bara för Sony-återförsäljare. Läs ovanstående säkerhetsföreskrifter noga och släpp aldrig tanken på säkerheten, vare sig under installation, underhåll eller kontroll av den här produkten.

## Installera inte väggfästet på en yta där TV:ns hörn eller sidor skjuter ut från väggen.

Installera inte väggfästet på en yta, till exempel en pelare, där TV:ns hörn eller sidor skjuter ut från väggen. Om en person eller ett föremål råkar slå emot TV:ns utskjutande delar kan det leda till allvarlig person- eller egendomsskada.

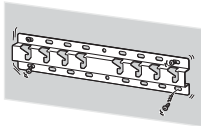


## Installera inte TV:n över eller under en luftkonditioneringsanläggning.

Om TV:n utsätts för vattenläckage eller luftströmmar från en luftkonditioneringsanläggning under en längre tid kan det leda till brand, elektriska stötar eller funktionsstörning hos TV:n.

## Följ anvisningarna i den här bruksanvisningen noga så att monteringen av väggfästet uppfyller säkerhetskraven.

Om någon av skruvarna sitter löst eller lossnar kan väggfästet lossna och orsaka skador på person eller egendom. Se till att du använder rätt skruv för väggmaterialet och skruva fast enheten ordentligt med minst fyra skruvar på 8 mm i diameter (eller motsvarande).



**Följ anvisningarna i den här bruksanvisningen så att de medföljande skruvarna och monteringsdetaljerna blir använda på rätt sätt. Om du använder ersättningsdetaljer kan TV:n falla ner och orsaka personskador eller skador på TV:n.**

## Se till att fästet monteras ihop korrekt enligt instruktionerna i bruksanvisningen.

Om någon av skruvarna sitter löst eller lossnat helt, kan TV:n lossna och orsaka personskador eller skador på TV:n.

## Fäst och dra åt skruvarna på den plats där de är avsedda att sitta.

I annat fall kan TV:n falla ner och orsaka personskador eller skador på TV:n.

## Utsätt inte TV:n för stötar vid installationen.

Om TV:n utsätts för stötar kan den falla ner eller gå sönder. Detta kan orsaka personskador.

## Installera TV:n på en vägg som är både lodrät och slät.

Annars kan TV:n falla ner och orsaka personskador.

## När TV:n installerats på rätt sätt fäster du kablarna ordentligt.

Om personer eller föremål trasslar in sig i kablarna kan det orsaka personskador eller skador på TV:n.

## Se till att inte nätkabeln eller anslutningskabeln kommer i kläm.

Om nätkabeln eller anslutningskabeln kläms mellan enheten och väggen, eller böjs och vrids med våld, kan de inre ledarna i kablarna friläggas, vilket kan leda till kortslutning eller strömavbrott. Det kan i sin tur leda till brand eller elektrisk stöt.



## Skruvarna som behövs för att skruva fast väggfästet på väggen medföljer ej.

Skruva fast väggfästet med skruvar som är avpassade efter väggmaterialet och väggens struktur.

## Montera TV:n på väggen

Installationsanvisningarna skiljer sig åt beroende på vilken TV du använder. Använd väggfästet SU-WL450 för att installera TV:n på väggen.

### Obs!

- Var noga med att förvara de borttagna skruvarna på en säker plats och håll dem borta från barn.

## Förbereda installationen

- Ha TV:ns referensguide till hands före installationen.
- Innan du påbörjar monteringen bör du se till att ha en Phillips-skruvmejsel som passar skruvarna.
- Kontrollera din TV:s monteringsplats.
- Förbered minst fyra skruvar med en diameter på 8 mm och en skruv med en diameter på 5 mm eller liknande (medföljer ej). Välj skruvar som är lämpliga för väggmaterialet.

## Kontrollera delarna

### Medföljer SU-WL450

- Kontrollera så att alla delar medföljer.

<b>A</b> Bas (20) (1) 	<b>B</b> Block (2) 
<b>C</b> PSW 6x20 (4) 	<b>D</b> PSW 4 x 20 med bussning (2) 
<b>E</b> Distans (20) (2) 	<b>F</b> Rem (1) 
<b>G</b> Bussning (20) (M4) (2) 	<b>H</b> PSW 4x20 (2) 
<b>I</b> Basadapter (2) 	<b>J</b> PSW 4x10 (8) 
<b>K</b> Distans (60) (2) 	<b>L</b> PSW 6x50 (2) 
<b>M</b> Bussning (M4) (2) 	<b>N</b> PSW 4x50 (2) 
<b>O</b> Väggfäste (S) (2) 	<b>P</b> Distans (2) 
<b>Q</b> Bricka (1) 	<b>R</b> PSW 5x12 (1) 

### Medföljer TV:n (fäst på baksidan)

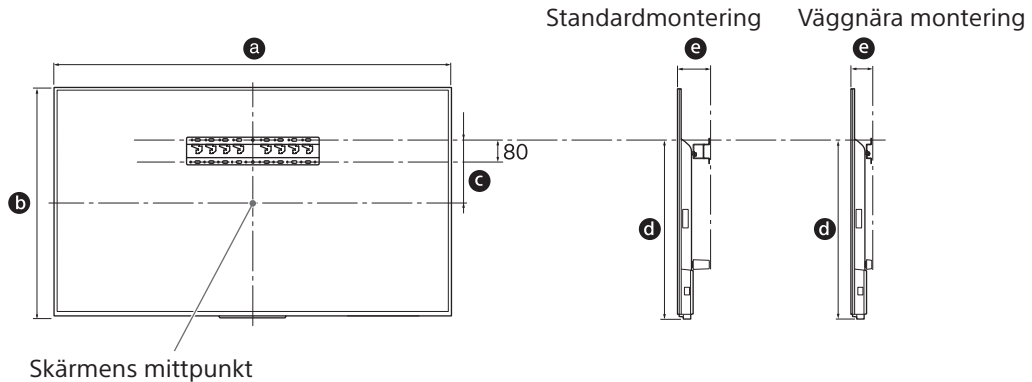
Kabelhållare (1) 
----------------------

# Välja installationsplats

## 1 Välj installationsplats.

Kontrollera att väggen är stor nog för TV:n och att den är stark nog för en vikt som är fyra gånger TV:ns vikt.

Se följande tabell beträffande att installera TV:n på väggen. Se TV:ns referensguide avseende TV:ns vikt.



Enhet: mm

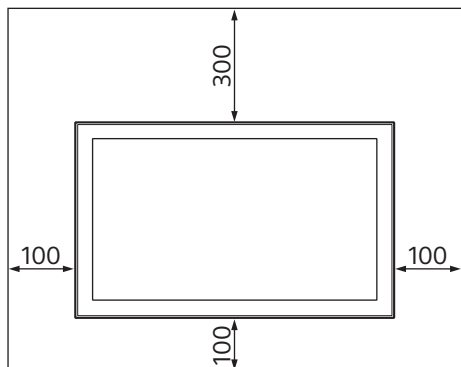
Modellnamn KD-	Bildskärmsmått		Avstånd till skärmens mittpunkt	Monteringsavstånd		
	a	b		c	d	e
55XD80□□	1 231	717	129	494	Standard- montering 102	Väggnära montering 60
49XD83□□ 49XD80□□	1 093	639	181	508	102	60
43XD83□□	960	564	209	498	108	66
43XD80□□	960	564	209	498	107	65

### Obs!

- Värdena i tabellen kan variera en aning beroende på installationen.

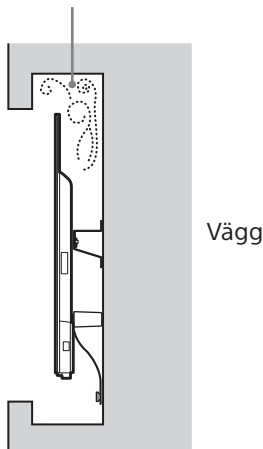
Se till att det finns ett tillräckligt stort mellanrum mellan TV:n och taket och utskjutande delar av väggen enligt nedan.

Enhet: mm



- För att säkerställa lämplig ventilation och förhindra ansamling av smuts och damm:
  - Lägg inte TV-apparaten ner, och montera den inte upp och ned, bak och fram, eller med en kortsida uppåt.
  - Placera inte TV-apparaten på en hylla, matta, säng eller i ett skåp.
  - Täck inte TV-apparaten med tyg, t.ex. gardiner, eller annat material som tidningar etc.
  - Installera inte TV-apparaten så som visas nedan.

Luften kan inte cirkulera fritt.



### Obs!

- Om du avser att dra kablarna i väggen ska ett hål för detta borrar i väggen innan installationen påbörjas. Förbered ett hål i väggen utanför basen (20) **A**, basadapter **I** och distansen (20) **E**, distansen (60) **K** för att förhindra att kablarna kläms.

2 Välj typ av väggmontering.  
Avståndet från TV:ns baksida till väggen väljs enligt anvisningarna nedan.

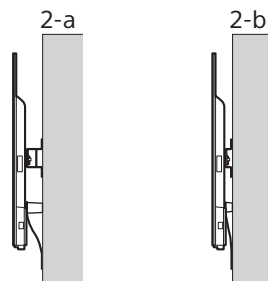
**2-a** Standardmontering

**2-b** Tät montering

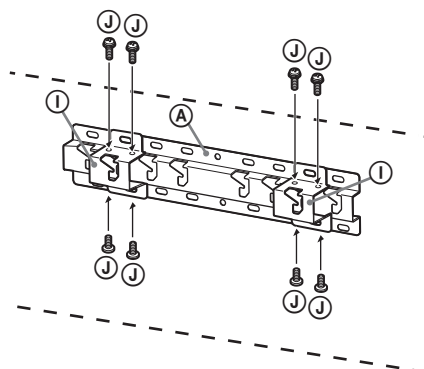
Se tabellen i steg 1.

### VARNING

- När 2-b väljs är åtkomst till uttagen på baksidan begränsad.

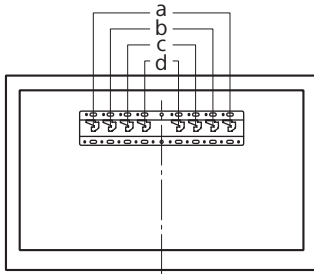


Montera bottenadapter **I** med skruv (PSW 4x10) **J** i bas (20) **A** när 2-a väljs.



- 3 Se tabellen nedan för information om monteringsplats för bottenadaptern. Om 2-b väljs kan du hoppa över detta steg.

Modellnamn KD-	Hakens placering
55XD80□□ 49XD83□□ 49XD80□□	c
43XD83□□ 43XD80□□	d



- 4 Avgör var skruvarna ska sitta vid montering av basen (20) (A).

Se specifikationerna på sidan 12.

**När du väljer 2-a ska hålpositionerna för bottenadapter (I) användas.**

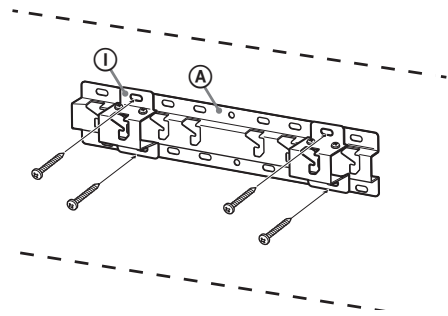
#### VARNING

- Den vägg som TV:n ska monteras på måste vara stark nog att bära en vikt på minst **fyra gånger** TV:ns vikt (Se din TV:s referensguide för information om dess vikt.).
- Försäkra dig om att väggen där TV:n skall monteras är tillräckligt stark. Förstärk väggen ordentligt om så behövs.

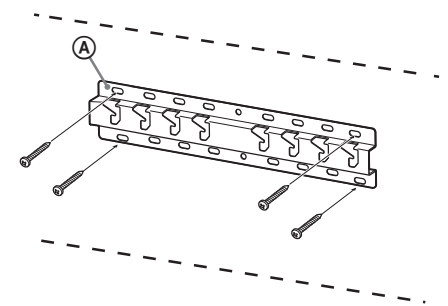
## Montera basen på väggen

- Förbered minst fyra skruvar med en diameter på 8 mm eller liknande (medföljer ej).
- **Sätt fyra skruvar i hålen för bottenadapter (I) med bas (20) (A) (endast 2-a).**
- Fäst basen (20) (A) horisontellt på väggen.

2-a



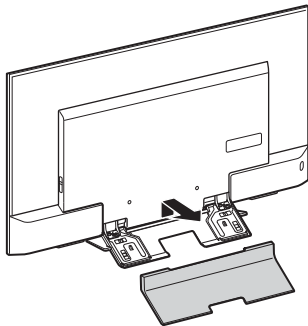
2-b





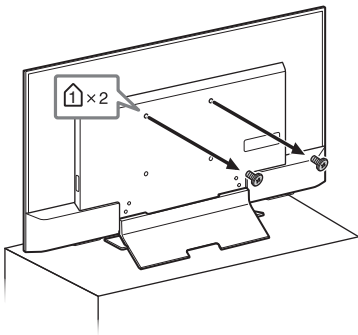
## Förbered installationen av TV:n

- 1 Ta bort stativskyddet.  
(endast KD-55XD80□□)

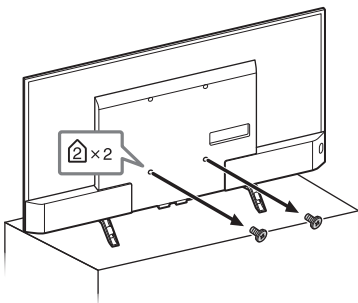


- 2 Ta bort skruvarna från TV:ns baksida.

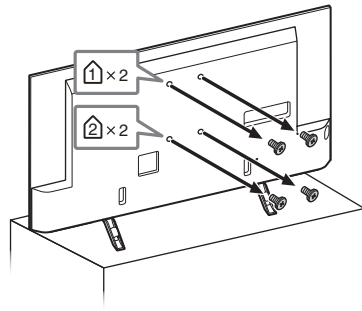
KD-55XD80□□



KD-49XD83□□/49XD80□□



KD-43XD83□□/43XD80□□

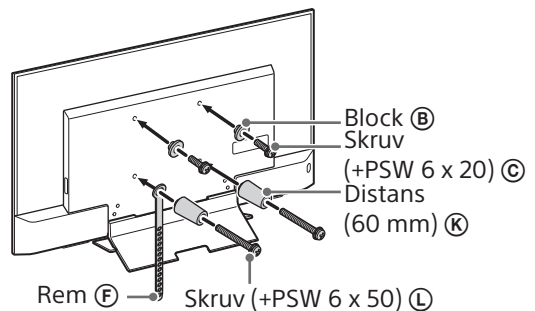


- 3 Fäst monteringsdetaljerna för väggfästet. Kontrollera monteringsdetaljerna genom att hänvisa till "Medföljer SU-WL450" i "Kontrollera delarna" på sidan 5.

### Obs!

- Fäst monteringsdetaljerna ordentligt med skruvar.
- Om du använder en elektrisk skruvdragare ska du ställa in vridmomentet på cirka 1,5 Nm (15 kgf·cm).
- Glöm inte att spara oanvända delar på en säker plats för framtida användning. Spara denna bruksanvisning för framtida användning.

### Standardmontering (2-a)

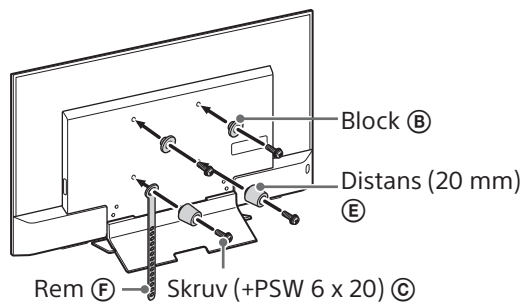
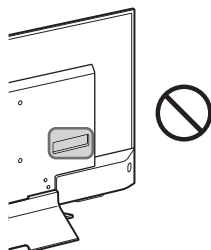


SE

## Väggnära montering (2-b)

### Obs!

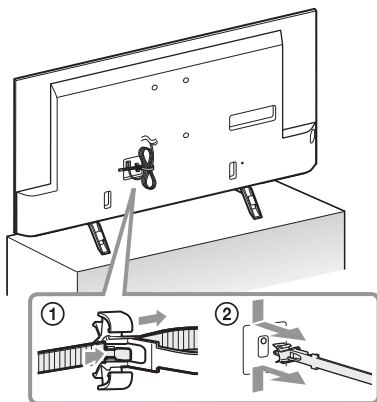
- Vissa av terminalerna på baksidan av TV:n kan inte användas vid detta monteringsätt.



## 4 Anslut nödvändiga kablar till TV:n.

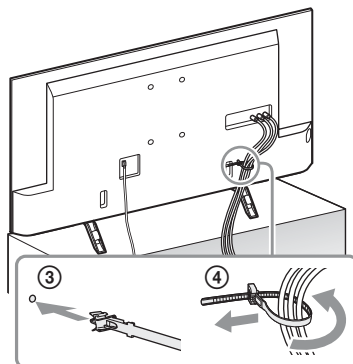
Se till så att du ansluter kablarna innan du monterar TV:n på väggen. Det går inte att ansluta kablarna när TV:n är monterad. Se referensguiden som följde med TV:n.

## 5 Lossa kabelhållaren (medföljer TV:n). (endast KD-43XD83□□/ 43XD80□□)



## 6 Bunta ihop kablarna.

För KD-43XD83□□/43XD80□□ fäster du kabelhållaren i en av de inre hålen.

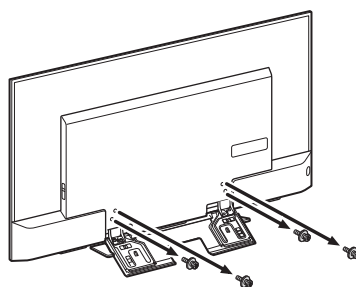


### Obs!

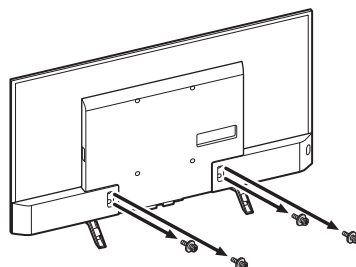
- Anlita en behörig montör för att utföra kabeldragningen i väggen.
- Samla ihop anslutningskablarna för att undvika att du trampar på dem innan väggmontering sker.

## 7 Ta loss bordsstativet från TV:n.

Endast KD-55XD80□□



Utom KD-55XD80□□

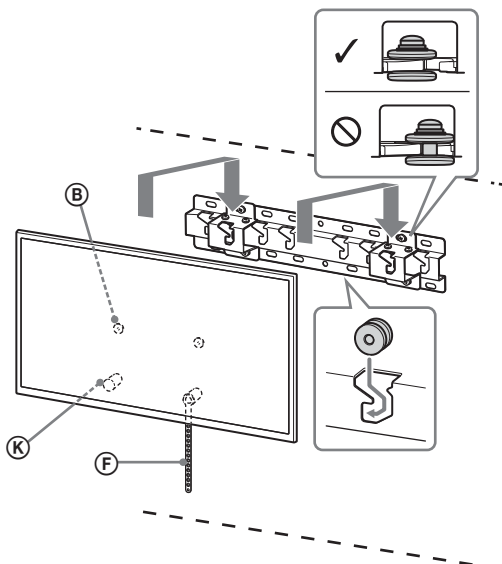


# Montera TV:n på väggen

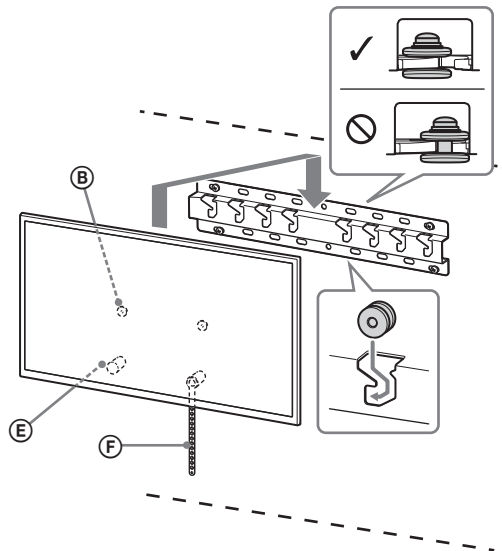
## 1 Montera TV:n på basen.

- Information om var blocken (B) ska hänga på basen finns i tabellen under steg 3 i avsnittet "Välja installationsplats" på sidan 8.
- Håll TV:n ordentligt med båda händerna och häng försiktigt upp blocken (B), som sitter på TV:ns baksida, på basen, genom att passa in dem i hålens form.
- När TV:n har monterats på väggen ska man kontrollera att blocken (B) är ordentligt fästa i basen eller basadaptorn.

2-a



2-b

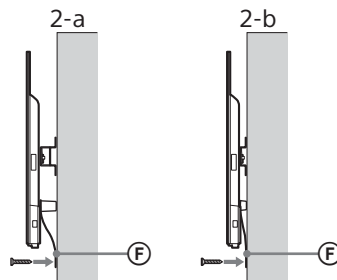


### VARNING

- Se till så att minst två personer hjälps åt att bära TV:n.

## 2 Förhindra att TV:ns nedre del flyttar sig.

- Spänn åt remmen (F) och fäst den ordentligt i väggen.



- Använd en skruv på 5 mm i diameter eller liknande (medföljer ej).

### Obs!

- Försök dra TV:ns nedre del mot dig för att se till att den inte rör sig. Om TV:n rör sig sitter den inte fast som den ska och remmen (F) måste dras åt ytterligare.

SE

## Kontrollera att installationen har slutförts

Kontrollera följande punkter.

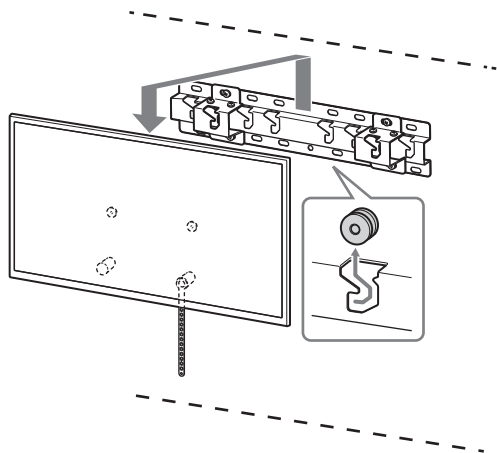
- Att blocken **ⓑ** hänger ordentligt på basen eller basadaptern.
- Sladden och kabeln inte har vridits eller kommit i kläm.
- Remmen **ⓕ** är åtdragen och inte hänger slapt.

### VARNING

- Felaktig placering av nätkabeln etc. leda till brand eller elektriska stötar till följd av en kortslutning. Av säkerhetsskäl är det viktigt att du kontrollerar att installationen har slutförts.

## Övrig information

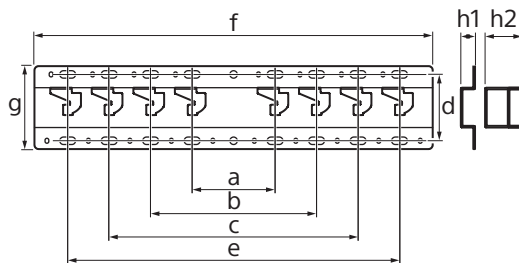
Ta bort TV:n genom att utföra installationsförfarandet i omvänd ordning.



### VARNING

- Se till så att minst två personer hjälps åt att hålla i TV:n när den tas bort.

## Specifikationer



### Mått: (cirka.) [mm]

- a : 100
- b : 200
- c : 300
- d : 80
- e : 400
- f : 480
- g : 100

h1 : 20 (fall 2-b)

h2 : 60 (fall 2-a)

### Vikt (endast bas): (cirka.) [kg]

0,8

Design och specifikationer kan ändras utan föregående meddelande.

# Informacje dotyczące instalacji w celu korzystania z uchwytu ściennego firmy Sony (SU-WL450)

## Obsługiwane modele:

**KD-55XD80□□\*/49XD83□□\*/49XD80□□\*/43XD83□□\*/  
43XD80□□\***

\* Symbol „□□” w rzeczywistych nazwach modeli wskazuje cyfry i/lub znaki specyficzne dla danego modelu.

### Do Klientów

W celu zapewnienia ochrony produktu i bezpieczeństwa firma Sony zdecydowanie zaleca przeprowadzenie montażu telewizora przez dystrybutorów Sony lub licencjonowanych wykonawców. Nie należy podejmować samodzielnych prób montażu.

### Do dystrybutorów Sony i wykonawców

Podczas montażu, okresowej konserwacji i sprawdzania tego produktu należy przestrzegać wszystkich zasad bezpieczeństwa.

Do zamontowania tego produktu konieczne jest posiadanie odpowiedniego doświadczenia, co dotyczy szczególnie sprawdzania nośności ściany w celu podtrzymania ciężaru telewizora. Montaż tego produktu do ściany należy powierzyć dystrybutorom Sony lub licencjonowanym wykonawcom, zwracając odpowiednią uwagę na kwestie bezpieczeństwa podczas montażu. Firma Sony nie ponosi odpowiedzialności za żadne szkody lub obrażenia wynikające z nieprawidłowego postępowania lub nieprawidłowego montażu.

W celu zapewnienia bezpieczeństwa i właściwej instalacji należy postępować zgodnie z instrukcją obsługi uchwytu ściennego, Przewodnikiem uruchamiania telewizora i wskazówkami zawartymi w tej instrukcji.

## Informacje dotyczące bezpieczeństwa

Dziękujemy za zakup tego produktu.

### Do Klientów

Do zamontowania tego produktu konieczne jest posiadanie odpowiedniego doświadczenia. Należy zlecać montaż dystrybutorom Sony lub licencjonowanym wykonawcom i zwracać szczególną uwagę na bezpieczeństwo podczas montażu. Firma Sony nie ponosi odpowiedzialności za żadne szkody lub obrażenia wynikające z nieprawidłowego postępowania, nieprawidłowego montażu albo montowania jakichkolwiek innych produktów niż wymienione. To zastrzeżenie nie ogranicza praw ustawowych klientów (jeśli takie przysługują).

### Do dystrybutorów Sony

Do zamontowania tego produktu konieczne jest posiadanie odpowiedniego doświadczenia. Należy dokładnie przeczytać tę instrukcję, aby zapewnić bezpieczny przebieg prac montażowych. Firma Sony nie ponosi odpowiedzialności za żadne szkody lub obrażenia wynikające z nieprawidłowego postępowania lub nieprawidłowego montażu. Po zakończeniu montażu należy przekazać tę instrukcję klientowi.

W tej instrukcji przedstawiono prawidłową obsługę produktu oraz ważne środki ostrożności, mające na celu zapobieżenie wypadkom. Należy dokładnie przeczytać tę instrukcję i w prawidłowy sposób korzystać z produktu. Należy zachować tę instrukcję w celu wykorzystania w przyszłości.

Produkty firmy Sony są projektowane z myślą o zapewnieniu bezpieczeństwa. Nieprawidłowe korzystanie z produktów może jednak spowodować poważne obrażenia na skutek pożaru, porażenia prądem elektrycznym, przewrócenia się produktu lub jego upadku. Należy przestrzegać środków ostrożności, aby uniknąć tego typu wypadków.

Nadzór nad dystrybucją na terytorium Rzeczypospolitej Polskiej sprawuje Sony Europe Limited, The Heights, Brooklands, Weybridge, Surrey, KT13 0XW, United Kingdom.

## UWAGA

### Określone produkty

Ten uchwyt ścienny został zaprojektowany z myślą o użyciu z określonymi modelami telewizorów. W instrukcji telewizora można sprawdzić, czy uchwytu ściennego można użyć z danym telewizorem.

## Do Klientów

### OSTRZEŻENIE

Nieprzestrzeżenie poniższych środków ostrożności może spowodować poważne obrażenia lub śmierć na skutek pożaru, porażenia prądem elektrycznym lub upadku produktu.

### Należy zlecać montaż licencjonowanym wykonawcom i zapewnić, aby podczas montażu nie znajdowały się w pobliżu małe dzieci.

Jeśli uchwyt ścienny lub telewizor nie zostaną zamontowane prawidłowo, może to skutkować następującymi wypadkami. Należy zlecać montaż licencjonowanym wykonawcom.

- Telewizor może spaść, powodując poważne obrażenia, takie jak stłuczenia czy złamania.
- Jeśli ściana, na której montowany jest telewizor, jest niestabilna, nierówna albo nieprostopadła do podłogi, telewizor może spaść, powodując obrażenia lub uszkodzenia mienia. Ściana musi być w stanie unieść ciężar co najmniej czterokrotnie większy od ciężaru telewizora. (Ciężar telewizora jest podany w jego instrukcji).
- Jeśli montaż uchwytu ściennego do ściany nie zostanie wykonany odpowiednio mocno, telewizor może spaść, powodując obrażenia lub uszkodzenia mienia.

### Należy zlecać przemieszczanie i demontaż telewizora licencjonowanym wykonawcom.

Jeśli przemieszczaniem lub demontażem telewizora będą zajmować się osoby inne niż licencjonowani wykonawcy, telewizor może spaść, powodując obrażenia lub uszkodzenia mienia. Do przenoszenia i demontażu telewizora potrzebne są co najmniej dwie osoby.

### Po zamontowaniu telewizora nie wykręcać śrub itp.

Na skutek takiego działania telewizor może spaść, powodując obrażenia lub uszkodzenia mienia.

### Nie modyfikować elementów uchwytu ściennego.

Na skutek takiego działania uchwyt ścienny może spaść, powodując obrażenia lub uszkodzenia mienia.

### Nie montować innych urządzeń niż określony produkt.

Ten uchwyt ścienny jest przewidziany do użytku wyłącznie z określonymi produktami. W przypadku zamontowania urządzenia innego niż określone, może ono spaść, powodując obrażenia lub uszkodzenia mienia.

### Nie obciążać uchwytu ściennego obciążeniem innym niż telewizor. Nie potrząsaj telewizorem na boki ani w górę/w dół.

Na skutek takiego działania telewizor może spaść, powodując obrażenia lub uszkodzenia mienia.

### Nie wieszac się ani nie opierać na telewizorze.

Nie wieszac się ani nie opierać na telewizorze, gdyż na skutek takiego działania telewizor może spaść, powodując poważne obrażenia.

## UWAGA

Nieprzestrzeżenie poniższych środków ostrożności może spowodować obrażenia lub uszkodzenia mienia.

### Podczas czyszczenia i konserwacji nie wywierać zbyt mocnego nacisku na produkt.

Nie naciskać zbyt mocno telewizora od góry. Na skutek takiego działania telewizor może spaść, powodując obrażenia lub uszkodzenia mienia.

## Środki ostrożności

- W przypadku długotrwałego użytkowania telewizora zamontowanego na uchwycie ściennym ściana za lub ponad telewizorem może ulec odbarwieniu albo tapeta może się odkleić, w zależności od rodzaju materiału, jakim pokryta jest ściana.
- Po zdemontowaniu zamontowanego wcześniej do ściany uchwytu ściennego otwory w ścianie pozostają.
- Nie używać uchwytu ściennego w miejscach narażonych na drgania mechaniczne.

## Montaż uchwyty ściennego

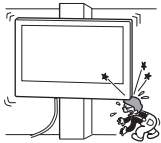
Do dystrybutorów Sony

### OSTRZEŻENIE

Poniższe instrukcje są przeznaczone wyłącznie dla dystrybutorów Sony. Należy przeczytać powyższe środki ostrożności, zwracając szczególną uwagę na bezpieczeństwo podczas montażu, konserwacji i sprawdzania tego produktu.

### Nie montować uchwyty ściennego na powierzchniach, w przypadku których narożniki lub boki telewizora mogłyby wystawać poza powierzchnię.

Nie montować uchwyty ściennego na powierzchniach takich jak filary, w przypadku których narożniki lub boki telewizora mogłyby wystawać poza powierzchnię. W razie uderzenia narożnika lub boku telewizora przez osobę lub obiekt mogłyby to spowodować obrażenia lub uszkodzenia mienia.

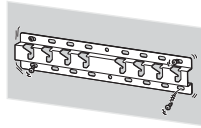


### Nie montować telewizora nad lub pod klimatyzatorem.

W przypadku narażenia telewizora przez dłuższy czas na wycieki wody albo strumień powietrza z klimatyzatora może dojść do porażenia prądem elektrycznym lub awarii telewizora.

### Uchwyt ścienny należy mocno zamocować do ściany, zgodnie ze wskazówkami podanymi w tej instrukcji.

Jeśli którakolwiek ze śrub poluzuje się lub wypadnie, uchwyt ścienny może spaść, powodując obrażenia lub uszkodzenia mienia. Należy używać śrub odpowiednich do materiału, z którego wykonana jest ściana i zamontować uchwyt za pomocą czterech lub więcej śrub o średnicy 8 mm (lub odpowiedników).



Należy używać dostarczonych śrub i elementów montażowych w prawidłowy sposób, zgodnie ze wskazówkami podanymi w tej instrukcji. W przypadku używania elementów zastępczych telewizor może spaść, powodując obrażenia lub uszkodzenia.

### Uchwyt należy zamontować w prawidłowy sposób, zgodnie ze wskazówkami podanymi w tej instrukcji.

Jeśli którakolwiek ze śrub poluzuje się lub wypadnie, telewizor może spaść, powodując obrażenia lub uszkodzenia.

### Śruby należy mocno wkręcać w wyznaczonych miejscach.

W innym przypadku telewizor może spaść, powodując obrażenia lub uszkodzenia.

### Nie narażać telewizora na wstrząsy podczas montażu.

Na skutek wstrząsów telewizor może spaść lub rozpaść się. Może to spowodować obrażenia.

### Montować telewizor na ścianie prostopadłej do podłogi i płaskiej.

W innym przypadku telewizor może spaść, powodując obrażenia.

### Po zamontowaniu telewizora w prawidłowy sposób zamocować kable.

Zaplątanie się osób lub obiektów w kable może spowodować obrażenia lub uszkodzenia.

### Nie dopuszczać do zaciśnięcia przewodu zasilającego lub kabli łączących.

W przypadku zaciśnięcia przewodu zasilającego lub kabli łączących pomiędzy urządzeniem a ścianą albo ich zginania lub skręcania na siłę może dojść do odsłonięcia wewnętrznych żył, a co za tym idzie do zwarcia lub przerwy w obwodzie. Może to spowodować pożar lub porażenie prądem elektrycznym.



### Śruby potrzebne do zamontowania uchwyty ściennego do ściany nie są dostarczone.

Podczas montażu uchwyty ściennego należy używać śrub odpowiednich do materiału i struktury ściany.

## Montaż telewizora na ścianie

Procedura montażu różni się w zależności od modelu telewizora.

Należy użyć uchwyty ścienne SU-WL450 w celu montażu telewizora na ścianie.

### Uwaga

- Wykręcone śruby przechowywać w bezpiecznym miejscu z dala od dzieci.

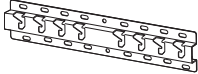









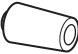



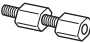



## Przygotowanie do montażu

- Przygotować przed montażem instrukcję telewizora.
- Przygotować przed montażem śrubokręt Phillips pasujący do śrub.
- Wybrać miejsce montażu telewizora.
- Przygotować cztery lub więcej śruby o średnicy 8 mm oraz jedną śrubę o średnicy 5 mm lub odpowiedniki (niedostarczone). Wybrać śruby odpowiednie do materiału, z którego wykonana jest ściana.

## Sprawdzenie elementów

### Dostarczone z uchwytem SU-WL450

- Sprawdzić, czy wszystkie elementy zostały dostarczone.

<b>A</b> Podstawa (20) (1) 	<b>B</b> Kółko (2) 
<b>C</b> PSW 6x20 (4) 	<b>D</b> PSW 4x20 z tuleją (2) 
<b>E</b> Podkładka dystansowa (20) (2) 	<b>F</b> Pasek (1) 
<b>G</b> Tuleja (20) (M4) (2) 	<b>H</b> PSW 4x20 (2) 
<b>I</b> Adapter podstawy (2) 	<b>J</b> PSW 4x10 (8) 
<b>K</b> Podkładka dystansowa (60) (2) 	<b>L</b> PSW 6x50 (2) 
<b>M</b> Tuleja (M4) (2) 	<b>N</b> PSW 4x50 (2) 
<b>O</b> Uchwyt ścienny (S) (2) 	<b>P</b> Podkładka dystansowa (2) 
<b>Q</b> Podkładka (1) 	<b>R</b> PSW 5x12 (1) 

### Dostarczone z telewizorem (przymocowany z tyłu)

Uchwyt do kabli (1)



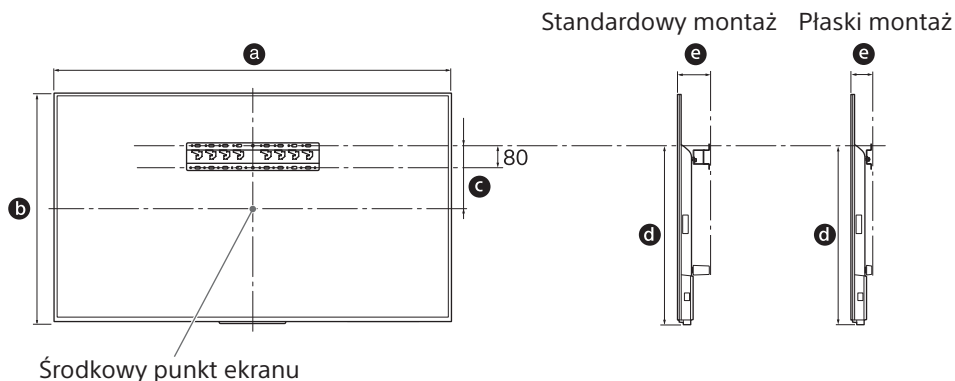


# Wybór miejsca montażu

## 1 Wybrać miejsce montażu.

Upewnić się, że na ścianie jest wystarczająco dużo miejsca dla telewizora, a także że ściana jest w stanie unieść ciężar co najmniej czterokrotnie większy od ciężaru telewizora.

Zapoznać się z poniższą tabelą dotyczącą montażu telewizora na ścianie. Ciężar telewizora można sprawdzić w jego instrukcji.



Jednostka: mm

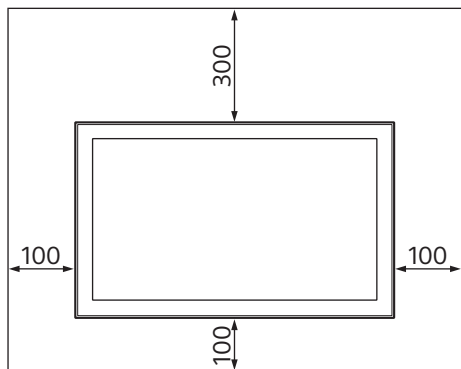
Nazwa modelu KD-	Wymiary monitora		Wymiar środkowy ekranu	Długość dla montażu		
	a	b	c	d	e	
					Standardowy montaż	Płaski montaż
55XD80□□	1 231	717	129	494	102	60
49XD83□□ 49XD80□□	1 093	639	181	508	102	60
43XD83□□	960	564	209	498	108	66
43XD80□□	960	564	209	498	107	65

### Uwaga

- Wartości podane w tabeli mogą się różnić minimalnie w zależności od instalacji.

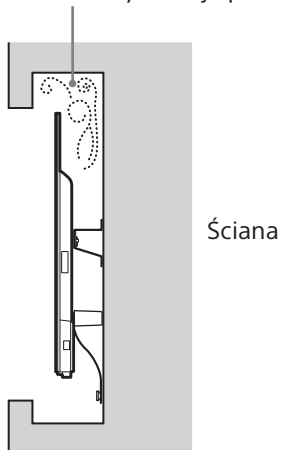
Zapewnić odpowiedni odstęp pomiędzy telewizorem a sufitem i wystającymi elementami, jak pokazano poniżej.

Jednostka: mm



- Aby zapewnić prawidłową wentylację i zapobiec gromadzeniu się kurzu lub brudu:
  - Nie umieszczać telewizora płasko ani nie montować spodem do tyłu, ekranem do ściany lub z boku.
  - Nie umieszczać telewizora na półce, dywanie, łóżku lub w szafce.
  - Nie zakrywać telewizora tkaninami, takimi jak zasłony, ani innymi przedmiotami, takimi jak gazety.
  - Nie montować telewizora w poniższy sposób.

Zablokowana cyrkulacja powietrza.



#### Uwaga

- Jeśli kable mają być prowadzone w ścianie, wykonać otwór na kable w ścianie przed rozpoczęciem montażu. Aby zapobiec zaciśnięciu kabli, otwór w ścianie powinien zostać wykonany poza zewnętrznym obwodem podstawy (20) **A**, adapter podstawy **I** i podkładki dystansowej (20) **E**, podkładki dystansowej (60) **K**.

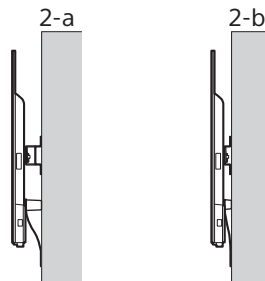
**2** Wybierz sposób montażu na ścianie. Odległość tylnej części telewizora do ściany można wybrać, jak pokazano poniżej.

**2-a** Standardowy montaż  
**2-b** Płaski montaż

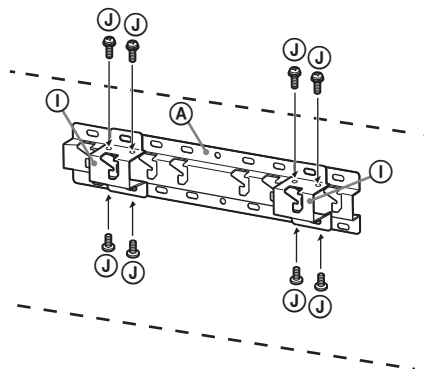
Patrz tabela w kroku 1.

#### OSTRZEŻENIE

- Gdy wybrany zostanie wariant 2-b, dostęp do panelu tylnego będzie ograniczony.

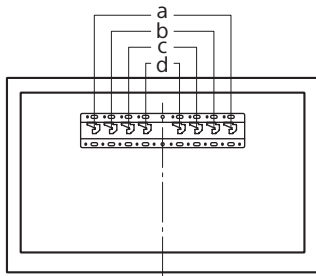


Zamocuj adapter podstawy **I** za pomocą śruby (PSW 4x10) **J** do podstawy (20) **A** w przypadku wybrania wariantu 2-a.



- 3 Zapoznaj się z poniższą tabelą w celu sprawdzenia położenia montażu adaptera podstawy. W przypadku wybrania wariantu 2-b należy pominąć ten krok.

Nazwa modelu KD-	Położenie haka
55XD80□□ 49XD83□□ 49XD80□□	c
43XD83□□ 43XD80□□	d



- 4 Określić położenia śrub do montażu podstawy (20) (A).

Patrz specyfikacja na stronie 12.

**W przypadku wybrania wariantu 2-a należy użyć pozycji otworów dla adaptera podstawy (I).**

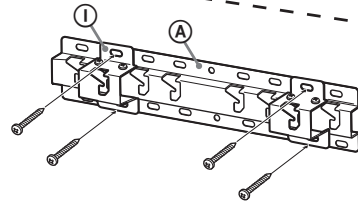
#### OSTRZEŻENIE

- Ściana, na której ma zostać zamontowany telewizor, musi być w stanie unieść ciężar co najmniej **czterokrotnie** większy od ciężaru telewizora. (Ciężar telewizora jest podany w jego instrukcji).
- Określić nośność ściany, na której ma zostać zamontowany telewizor. W razie potrzeby odpowiednio wzmocnić ścianę.

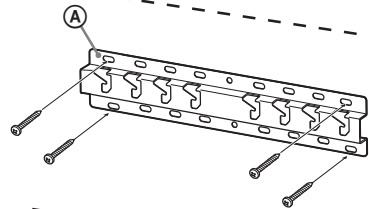
## Montaż podstawy do ściany

- Użyć czterech lub więcej śrub o średnicy 8 mm lub odpowiedników (niedostarczone).
- **Wkręć cztery śruby w otwory adaptera podstawy (I) z podstawą (20) (A) (tylko 2-a).**
- Zamontować podstawę (20) (A) poziomo na ścianie.

2-a

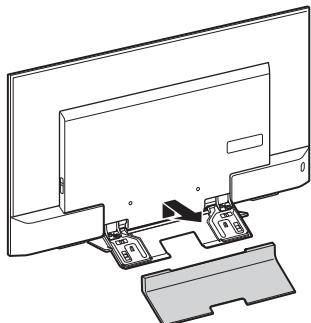


2-b



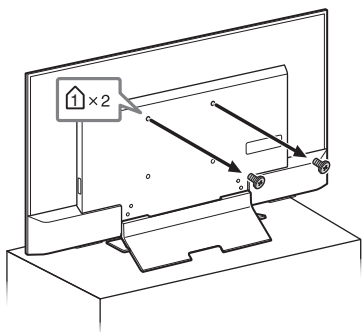
## Przygotowanie do montażu telewizora

- 1 Zdejmij osłonę podstawy.  
(Tylko model KD-55XD80□□)

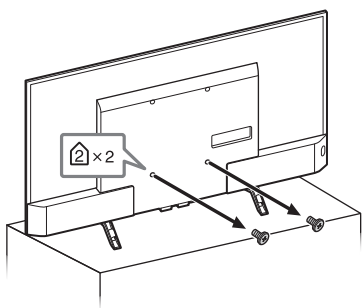


- 2 Odkręć śruby z tyłu telewizora.

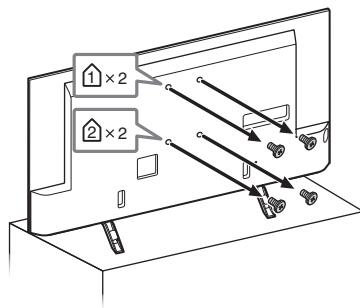
KD-55XD80□□



KD-49XD83□□/49XD80□□



KD-43XD83□□/43XD80□□

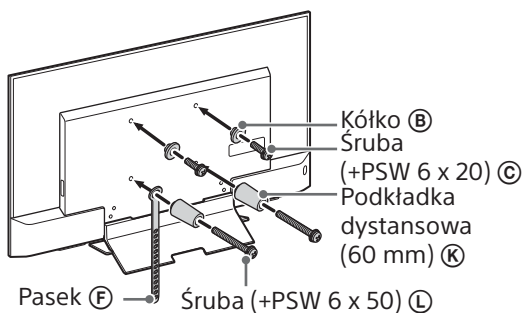


- 3 Przymocuj elementy uchwytu dla uchwytu ściennego. Sprawdź elementy uchwytu zgodnie z sekcją „Dostarczone z uchwytem SU-WL450” w rozdziale „Sprawdzenie elementów” na stronie 5.

### Uwaga

- Przymocuj prawidłowo elementy uchwytu za pomocą śrub.
- Jeśli używany jest śrubokręt elektryczny, należy ustawić moment obrotowy na ok. 1,5 N·m {15 kgf·cm}.
- Nieużywane części należy umieścić w bezpiecznym miejscu w celu użycia w przyszłości. Zachować instrukcję do wykorzystania w przyszłości.

### Standardowy montaż (2-a)

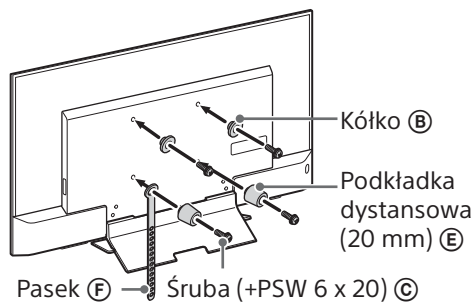
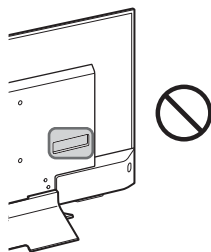


PL

## Płaski montaż (2-b)

### Uwaga

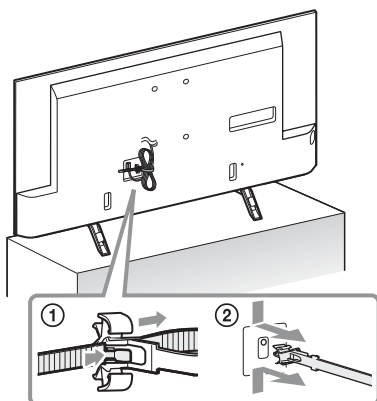
- W przypadku tego typu montażu nie jest możliwe użycie niektórych złączy z tyłu telewizora.



## 4 Podłączyć niezbędne kable do telewizora.

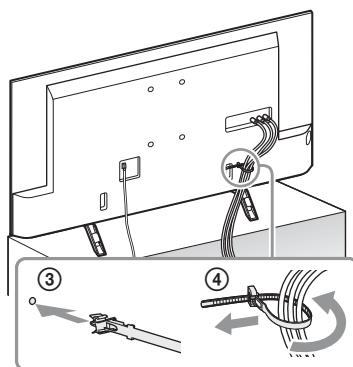
Kable należy podłączyć przed zamontowaniem telewizora na ścianie. Po zamontowaniu telewizora podłączenie kabli będzie niemożliwe. Patrz instrukcja dołączona do telewizora.

## 5 Odłącz uchwyt do kabli (dostarczony z telewizorem). (tylko model KD-43XD83□□/43XD80□□)



## 6 Uformuj wiązki przewodów.

W przypadku modeli KD-43XD83□□/43XD80□□ przymocuj uchwyt do kabli do jednego z wewnętrznych otworów.

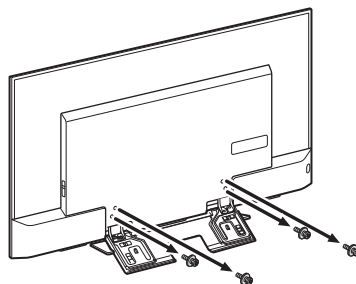


### Uwaga

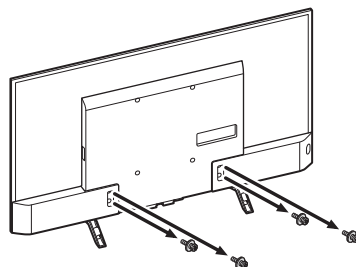
- Należy zlecać prowadzenie kabli w ścianie licencjonowanym wykonawcom.
- Związać razem kable łączące w celu zapobieżenia nadeźnięciu na nie przed zamontowaniem na ścianie.

## 7 Odkręć podstawę od telewizora.

Tylko model KD-55XD80□□



Z wyjątkiem KD-55XD80□□

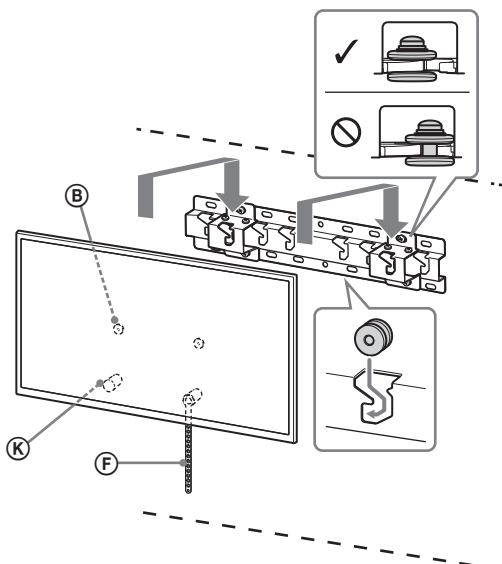


# Montaż telewizora na ścianie

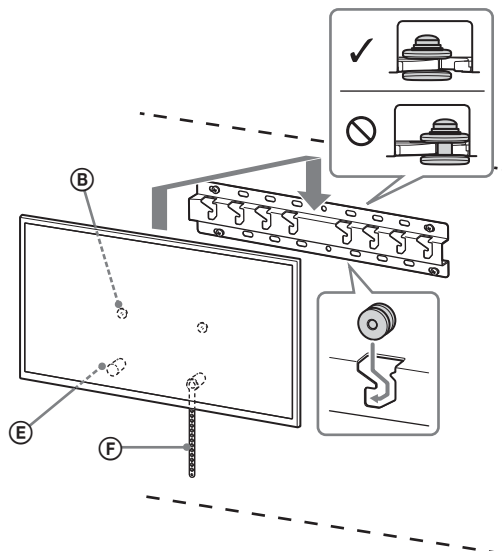
## 1 Zamontować telewizor na podstawie.

- Odnosnie do lokalizacji kółek **(B)** do zawieszania na podstawie patrz tabela dla kroku 3 w sekcji „Wybór miejsca montażu” na stronie 8.
- Przytrzymać mocno telewizor dwiema rękami i delikatnie zawiesić kółka **(B)** zamocowane do tylnej części telewizora na podstawie, zgodnie z kształtem otworów.
- Po zamontowaniu telewizora na ścianie sprawdzić, czy kółka **(B)** są pewnie osadzone w podstawie lub adapterze podstawy.

2-a



2-b

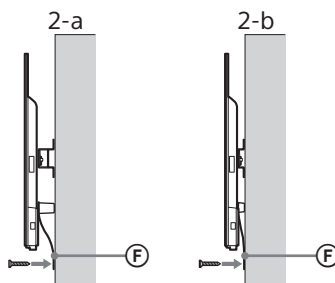


### OSTRZEŻENIE

- Do przenoszenia telewizora potrzebne są co najmniej dwie osoby.

## 2 Zapobieganie odchyłaniu się dolnej części telewizora.

- Naciągnąć pasek **(F)** i zamocować go mocno do ściany.



- Użyć śruby o średnicy 5 mm lub odpowiednika (niedostarczona).

### Uwaga

- Spróbować delikatnie pociągnąć telewizor do siebie, aby sprawdzić, czy jest on dobrze zamontowany. Jeśli telewizor poruszy się, oznacza to, że nie jest prawidłowo zamontowany i należy mocniej naciągnąć pasek **(F)**.

PL

## Sprawdzenie kompletności montażu

Sprawdzić następujące pozycje.

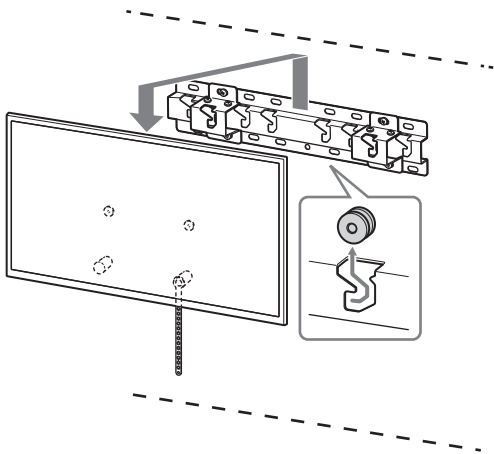
- Czy kółka **Ⓟ** są pewnie osadzone w podstawie lub adapterze podstawy.
- Czy przewód i kable nie są skręcone ani zaciśnięte.
- Czy pasek **Ⓢ** nie jest luźny.

### OSTRZEŻENIE

- Nieprawidłowe umieszczenie przewodu zasilającego itp. może spowodować pożar lub porażenie prądem elektrycznym na skutek zwarcia. Ze względów bezpieczeństwa należy sprawdzić kompletność montażu.

## Pozostałe informacje

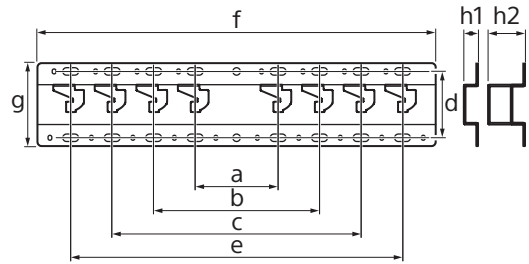
W celu zdemontowania telewizora należy wykonać procedurę montażu w odwrotnej kolejności.



### OSTRZEŻENIE

- Do demontażu telewizora potrzebne są co najmniej dwie osoby.

## Specyfikacja



### Wymiary: (ok.) [mm]

- a : 100
- b : 200
- c : 300
- d : 80
- e : 400
- f : 480
- g : 100

h1 : 20 (przypadek 2-b)

h2 : 60 (przypadek 2-a)

### Ciężar (tylko podstawa): (ok.) [kg]

0,8

Konstrukcja i specyfikacja mogą ulec zmianie bez uprzedzenia.

# Informações de instalação para Utilizar o Suporte de Parede Sony (SU-WL450)

## Modelos suportados:

**KD-55XD80□□\*/49XD83□□\*/49XD80□□\*/43XD83□□\*/  
43XD80□□\***

\* Nos nomes de modelos actuais, o "□□" indica números e/ou caracteres específicos a cada modelo.

Para os clientes

Para proteção do produto e por motivos de segurança, a Sony recomenda vivamente que a instalação do seu televisor seja efetuada por agentes ou técnicos licenciados da Sony. Não tente instalá-lo sozinho.

Para os agentes e técnicos da Sony

Deve ser dada total atenção à segurança durante a instalação, durante qualquer manutenção periódica e durante qualquer verificação deste produto.

É necessário ter experiência suficiente para instalar este produto, especialmente para determinar se a parede tem robustez suficiente para suportar o peso do televisor. Certifique-se de que confia a instalação deste produto numa parede a agentes ou técnicos licenciados da Sony e dê a devida atenção à segurança durante a instalação. A Sony não poderá ser responsabilizada por quaisquer danos ou ferimentos causados por manuseamento incorreto ou instalação incorreta.

Para uma instalação segura e adequada, siga o Manual de Instruções do Suporte de Parede, o Guia de início do televisor e as instruções deste manual.



## Segurança

Obrigado por ter adquirido este produto.

### Para os clientes

É necessária uma formação técnica adequada para instalar este produto. Solicite a instalação a agentes Sony ou a empresas contratadas autorizadas e preste especial atenção à segurança durante a instalação. A Sony não se responsabiliza por quaisquer danos ou ferimentos causados pela utilização indevida ou instalação incorrecta, nem pela instalação de um produto diferente do produto especificado. Os seus Direitos Estatutários (se existirem) não são afectados.

### Para os agentes da Sony

É necessária uma formação técnica adequada para instalar este produto. Leia atentamente este manual de instruções para efectuar a instalação com segurança. A Sony não se responsabiliza por quaisquer danos ou ferimentos causados pela utilização indevida ou instalação incorrecta. Após a instalação, entregue este manual de instruções ao cliente.

Este manual de instruções descreve as precauções importantes necessárias para evitar acidentes e utilizar o produto de forma correcta. Leia-o na íntegra e utilize o produto correctamente. Guarde este manual para futuras consultas.

Os produtos da Sony são concebidos para oferecer a máxima segurança. No entanto, se utilizados de forma incorrecta, podem provocar ferimentos graves através de incêndio, choque eléctrico ou queda. Para evitar esse tipo de acidentes, respeite as precauções de segurança.

## CUIDADO

### Produtos especificados

Este Suporte para Montagem na Parede foi concebido para ser utilizado apenas com o televisor especificado. Para televisores, consulte o Guia de referência para verificar se o Suporte para Montagem na Parede pode ser utilizado.

## Para os clientes

### AVISO

O não cumprimento das precauções indicadas abaixo, pode provocar a morte ou ferimentos graves através de incêndio, choque eléctrico ou queda do produto.

### Certifique-se de que a instalação é efectuada por representantes autorizados e mantenha as crianças afastadas do local durante a instalação.

Se o suporte de montagem na parede ou o televisor não forem instalados correctamente, podem ocorrer os seguintes acidentes. Certifique-se de que a instalação é efectuada por técnicos qualificados.

- O televisor pode cair e provocar ferimentos graves, como equimoses ou fracturas.
- Se a parede onde o Suporte para Montagem na Parede está instalado for instável, irregular ou não estiver perpendicular ao chão, o aparelho pode cair e provocar ferimentos ou danos materiais. A parede deve ser suficientemente forte para suportar um peso, no mínimo, quatro vezes superior ao do televisor. (Consulte o Guia de referência do televisor quanto ao respetivo peso.)
- Se a instalação do Suporte para Montagem na Parede não for suficientemente sólida, o aparelho pode cair e provocar ferimentos ou danos materiais.

### Contrate técnicos qualificados para o transporte e desmontagem do televisor.

Se o transporte ou montagem for feito por pessoas que não os técnicos qualificados, o televisor pode cair e provocar ferimentos ou danos materiais. O transporte ou a desmontagem do televisor deverá ser efectuado por duas ou mais pessoas.

### Não retire os parafusos, etc., após a desmontagem do televisor.

Se o fizer, o televisor pode cair e provocar ferimentos ou danos materiais.

### Não faça quaisquer alterações nas peças do Suporte para Montagem na Parede.

Se o fizer, o Suporte para Montagem na Parede pode cair e provocar ferimentos ou danos materiais.

### Não instale um equipamento diferente do especificado no suporte.

Este Suporte de Instalação na Parede foi concebido para ser utilizado apenas com o produto especificado. A instalação de qualquer outro equipamento pode resultar em queda ou quebra e provocar danos materiais ou ferimentos.

### Não coloque nenhuma carga para além do televisor no Suporte para Montagem na Parede. Não agite o televisor para a esquerda/para a direita, para cima/para baixo.

Se o fizer, o televisor pode cair e provocar ferimentos ou danos materiais.

### Não se encoste nem se pendure no televisor.

Não se encoste nem se pendure no televisor, pois este pode cair e provocar ferimentos graves.

## CUIDADO

Se as seguintes precauções não forem observadas, poderão ocorrer ferimentos ou danos materiais.

### Não faça demasiada força durante a limpeza ou manutenção do produto.

Não faça demasiada força na parte superior do televisor. Se o fizer, o televisor pode cair e provocar ferimentos ou danos materiais.

## Precauções

- Se utilizar o televisor instalado no Suporte para Montagem na Parede durante muito tempo, a parede por trás ou por cima do televisor pode perder a cor e o papel de parede pode descolar-se, dependendo do material da parede.
- Se retirar o Suporte para Montagem na Parede depois de o instalar, os orifícios do parafuso ficam na parede.
- Não utilize o Suporte para Montagem na Parede num local num local sujeito a vibrações mecânicas.

## Instalar o suporte para montagem na parede

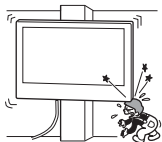
Para os Agentes da Sony

### AVISO

As seguintes instruções destinam-se apenas aos agentes da Sony. Leia as precauções de segurança na íntegra e preste muita atenção às medidas de segurança que é preciso respeitar durante a instalação, manutenção e verificação deste produto.

### Não instale o suporte para montagem em paredes em que os cantos ou os lados do televisor fiquem afastados da parede.

Não instale o suporte para montagem na parede em colunas em que os cantos ou os lados do televisor fiquem afastados da parede. Se uma pessoa ou objecto embaterem no canto ou lado saliente do televisor, isso pode provocar ferimentos ou danos materiais.

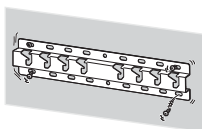


### Não instale o televisor por cima ou por baixo de um aparelho de ar condicionado.

Se o televisor ficar exposto a fugas de água ou correntes de ar do aparelho de ar condicionado durante muito tempo, pode ocorrer um incêndio, um choque eléctrico ou uma avaria.

### Instale o suporte para montagem na parede com segurança seguindo as indicações deste manual de instruções.

Se algum dos parafusos estiver solto ou cair, o suporte para montagem na parede pode cair e provocar ferimentos ou danos materiais. Utilize os parafusos adequados ao material de que é feita a parede e fixe bem o suporte com quatro ou mais parafusos de 8 mm de diâmetro (ou equivalentes).



**Utilize os parafusos e os acessórios fornecidos conforme as indicações deste manual de instruções. Se utilizar outros acessórios, o televisor pode cair e provocar ferimentos a alguém ou danos materiais no próprio televisor.**

### Monte o suporte correctamente, seguindo o procedimento explicado neste manual de instruções.

Se um dos parafusos se soltar ou cair, o televisor pode cair e provocar ferimentos a alguém ou danos materiais no televisor.

### Aperte bem os parafusos na posição correcta.

Se não o fizer, o televisor pode cair e ferir alguém ou ficar danificado.

### Não submeta o televisor a qualquer choque durante a instalação.

Se o televisor sofrer choques, pode cair ou partir-se. O que pode provocar ferimentos.

### Instale o televisor numa parede perpendicular e plana.

Se não o fizer, o televisor pode cair e provocar ferimentos.

### Depois de instalar correctamente o televisor, fixe bem os cabos.

Se as pessoas ou objectos ficarem emaranhados nos cabos, podem ferir-se ou danificar o televisor ou o monitor.

### Não deixe o cabo de alimentação CA, nem o cabo de ligação ficarem trilhados.

Se o cabo de alimentação CA ou o cabo de ligação ficar trilhado entre o aparelho e a parede ou se os dobrar ou torcer à força, os condutores internos podem ficar à vista e provocar um curto-circuito ou a quebra do cabo eléctrico. Pode provocar um incêndio ou choque eléctrico.



### Os parafusos necessários para fixar o Suporte para Montagem na Parede não estão incluídos.

Utilize os parafusos apropriados para o material de que é feita a parede e para a estrutura quando instalar o Suporte para Montagem na Parede.

## Instalação do televisor na parede

O procedimento de instalação difere consoante o seu televisor. Utilize o Suporte de Parede SU-WL450 para instalar o televisor numa parede.

### Nota

- Guarde os parafusos que remover num lugar seguro e fora do alcance de crianças.

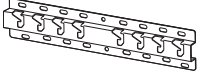













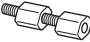



## Preparar a instalação

- Tenha o Guia de referência do televisor à mão antes da instalação.
- Certifique-se de que tem uma chave de parafusos Phillips adequada aos parafusos antes de proceder à montagem.
- Confirme a posição de instalação do seu televisor.
- Prepare quatro ou mais parafusos de 8 mm de diâmetro e um parafuso de 5 mm ou equivalente (não fornecido). Escolha parafusos adequados para o material da parede.


## Verificação das peças

### Fornecido com o SU-WL450

- Verifique se todas as peças estão incluídas.

<b>A</b> Base (20) (1) 	<b>B</b> Polia (2) 
<b>C</b> PSW 6x20 (4) 	<b>D</b> PSW 4x20 com anilha (2) 
<b>E</b> Espaçador (20) (2) 	<b>F</b> Cinta (1) 
<b>G</b> Anilha (20) (M4) (2) 	<b>H</b> PSW 4x20 (2) 
<b>I</b> Adaptador de base (2) 	<b>J</b> PSW 4x10 (8) 
<b>K</b> Espaçador (60) (2) 	<b>L</b> PSW 6x50 (2) 
<b>M</b> Anilha (M4) (2) 	<b>N</b> PSW 4x50 (2) 
<b>O</b> Acessório para montagem na parede (S) (2) 	<b>P</b> Espaçador (2) 
<b>Q</b> Anilha (1) 	<b>R</b> PSW 5x12 (1) 

### Fornecido com o televisor (fixo na parte de trás)

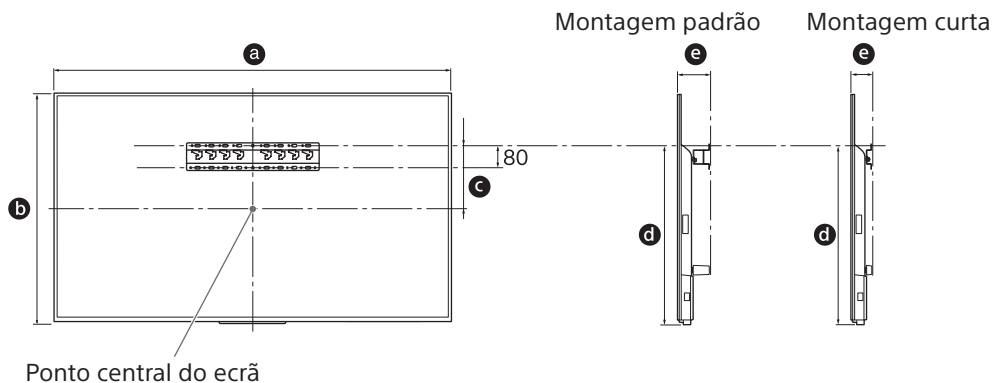
<b>Suporte do cabo (1)</b> 
---

# Decidir sobre a localização da instalação

## 1 Decida sobre a localização da instalação.

Certifique-se de que a parede tem espaço suficiente para o televisor e que consegue suportar o quádruplo do peso do televisor.

Consulte a tabela seguinte relativa à instalação do televisor numa parede. Consulte o Guia de referência do televisor para saber qual é o peso do televisor.



Unidade: mm

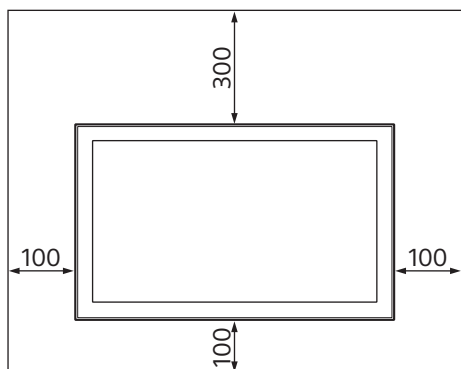
Nome do modelo KD-	Dimensões do visor		Dimensão do centro do ecrã	Comprimento para montagem		
	a	b	c	d	e	
					Montagem padrão	Montagem curta
55XD80□□	1.231	717	129	494	102	60
49XD83□□ 49XD80□□	1.093	639	181	508	102	60
43XD83□□	960	564	209	498	108	66
43XD80□□	960	564	209	498	107	65

### Nota

- Os números da tabela podem variar ligeiramente dependendo da instalação.

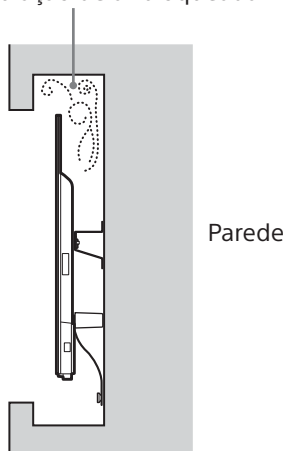
Permite uma folga adequada entre o televisor e o tecto e as peças salientes da parede, conforme apresentado abaixo.

Unidade: mm



- Para garantir uma ventilação adequada e evitar a acumulação de sujidade e pó:
  - Não instale o televisor na horizontal, virado ao contrário, invertido ou de lado.
  - Não instale o televisor sobre uma prateleira, carpete ou cama, nem dentro de um armário.
  - Não cubra o televisor com panos, como cortinas, nem com jornais, etc.
  - Não instale o televisor como ilustrado em baixo.

Circulação de ar bloqueada.



### Nota

- Se desejar instalar os cabos numa parede, faça primeiro um orifício na mesma para introduzir os cabos antes de iniciar a instalação. Para evitar trilhar os cabos, prepare um orifício na parede no exterior do perímetro da base (20) (A), adaptador de base (1) e do espaçador (20) (E), do espaçador (60) (K).

2 Selecione o estilo de montagem na parede. A distância entre a parte traseira do televisor e a parede pode ser seleccionada conforme abaixo indicado.

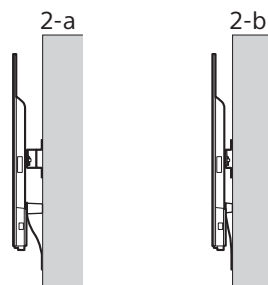
2-a Montagem normal

2-b Montagem compacta

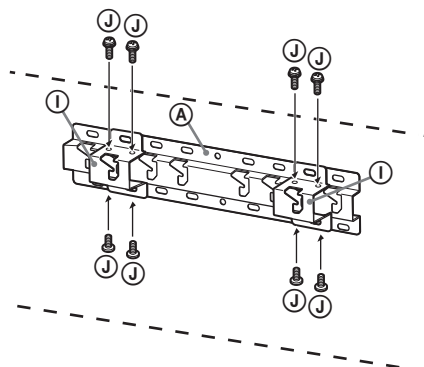
Consulte a tabela do passo 1.

### AVISO

- Quando seleccionar 2-b, o acesso ao terminal posterior é limitado.

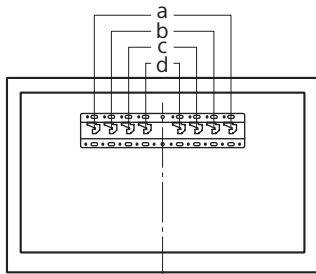


Instale o adaptador da base (I) utilizando o parafuso (PSW 4x10) (J) na base (20) (A) quando seleccionar 2-a.



- 3 Consulte a tabela em baixo para saber qual é a localização de instalação do Adaptador da Base. Caso seleccione 2-b, ignore este passo.

Nome do modelo KD-	Localização do gancho
55XD80□□ 49XD83□□ 49XD80□□	c
43XD83□□ 43XD80□□	d



- 4 Decida as posições dos parafusos para instalar a base (20) (A).

Consulte as especificações na página 12.

**Quando seleccionar 2-a, utilize as posições dos orifícios do adaptador da base (I).**

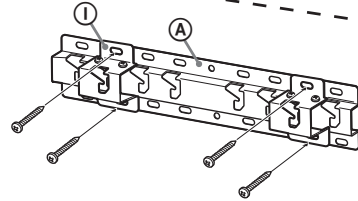
#### AVISO

- A parede na qual o televisor será instalado deve ser capaz de suportar um peso **quatro vezes** superior ao peso do televisor (Consulte o Guia de referência do televisor quanto ao respetivo peso.).
- Determine a resistência da parede em que será instalado o televisor. Se necessário, reforce a parede.

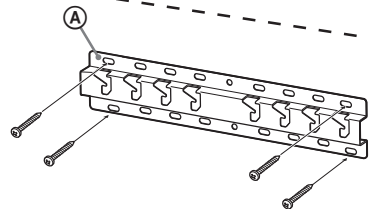
## Instalação da base na parede

- Utilize quatro ou mais parafusos de 8 mm de diâmetro ou equivalente (não fornecido).
- **Instale quatro parafusos nos orifícios do adaptador da base (I) com a base (20) (A) (apenas 2-a).**
- Instale a base (20) (A) na parede, na horizontal.

2-a

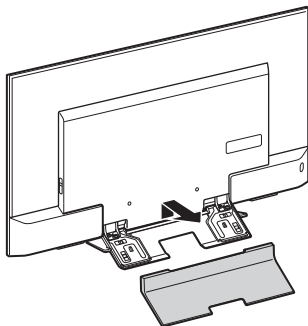


2-b



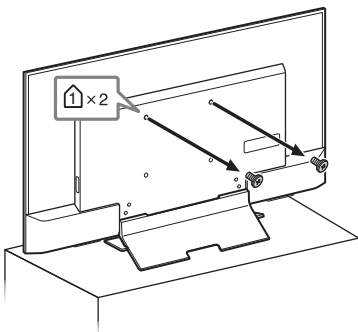
## Preparar a instalação do televisor

- 1 Retire a cobertura da base.  
(Apenas nos modelos KD-55XD80□□)

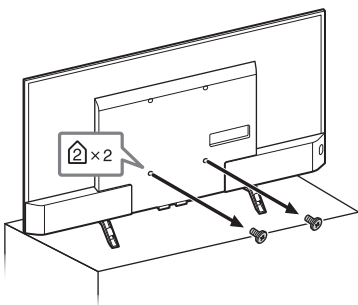


- 2 Remova os parafusos da parte de trás do televisor.

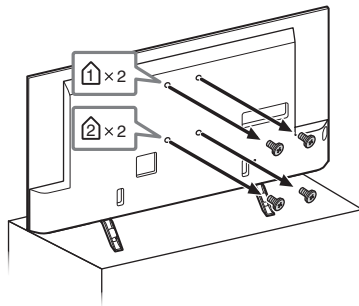
KD-55XD80□□



KD-49XD83□□/49XD80□□



KD-43XD83□□/43XD80□□

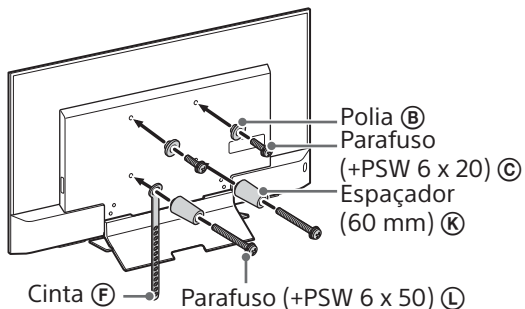


- 3 Instale as peças de fixação do Suporte de Parede. Verifique quais são as peças de fixação consultando "Fornecido com o SU-WL450" na secção "Verificação das peças", na página 5.

### Nota

- Aperte firmemente as peças de fixação utilizando parafusos.
- Quando utilizar uma chave de parafusos elétrica, configure o binário de aperto para aproximadamente 1,5 N·m (15 kgf·cm).
- Guarde as peças que não utilizar num lugar seguro para poder utilizá-las no futuro. Guarde este manual para poder consultá-lo no futuro.

### Montagem padrão (2-a)

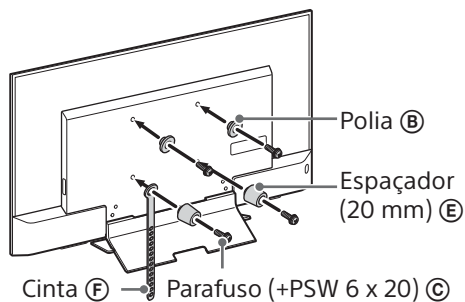
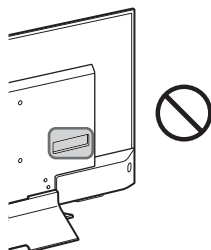


PT

## Montagem curta (2-b)

### Nota

- Com este estilo de montagem, não poderá utilizar alguns dos terminais da parte de trás do televisor.

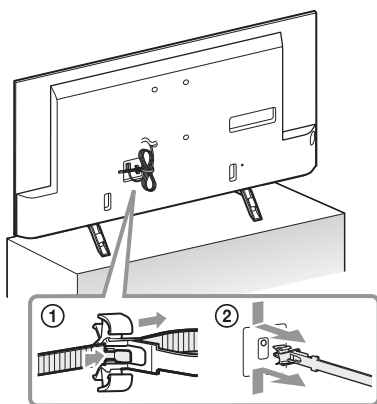


## 4 Ligue o(s) cabo(s) necessário(s) ao televisor.

Certifique-se de que liga os cabos antes de instalar o televisor na parede. Não poderá ligar os cabos quando o televisor estiver instalado.

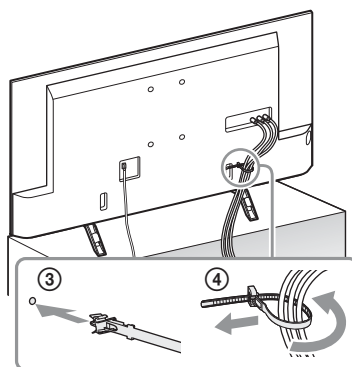
Consulte o Guia de referência fornecido com o seu televisor.

## 5 Retire o suporte de cabos (fornecido com o televisor). (apenas nos modelos KD-43XD83□□/43XD80□□)



## 6 Junte os cabos.

Para o KD-43XD83□□/43XD80□□, fixe o suporte de cabos a um dos orifícios interiores.

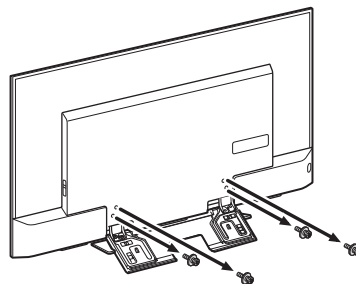


### Nota

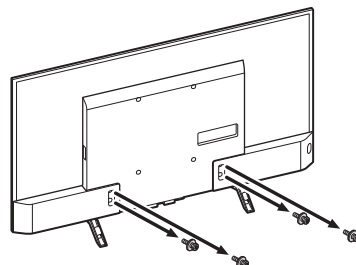
- Certifique-se de que o encaminhamento dos cabos ao longo da parede é efectuado por agentes autorizados.
- Una os cabos de ligação para evitar pisá-los, antes da montagem na parede.

## 7 Separe o Suporte de Fixação para Mesas do televisor.

Apenas nos modelos KD-55XD80□□



Exceto KD-55XD80□□



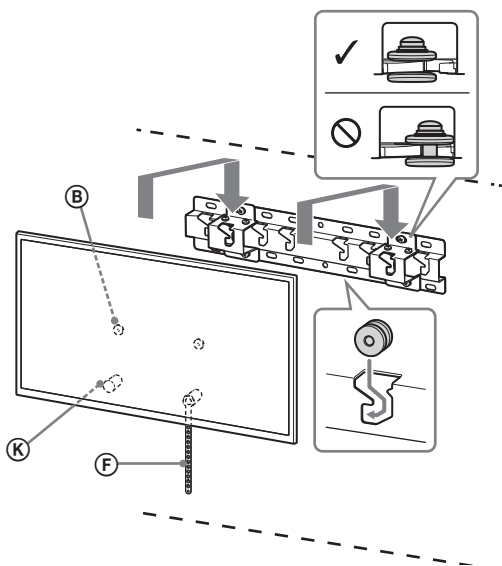


# Instalação do televisor na parede

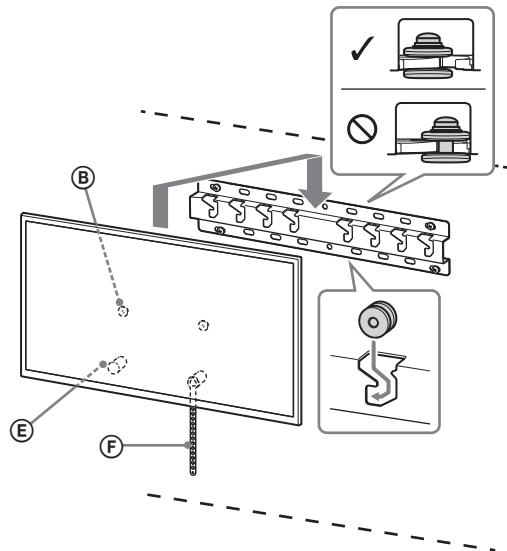
## 1 Instale o televisor na base.

- Para a localização das polias ② para pendurar na base, consulte a tabela do passo 3 em “Decidir sobre a localização da instalação” na página 8.
- Segure bem o televisor com as duas mãos e pendure suavemente as polias ② presas à parte de trás do televisor à base, certificando-se de que confirma a forma dos orifícios.
- Depois de instalar o televisor na parede, confirme se as polias ② estão bem presas à base ou ao adaptador de base.

2-a



2-b

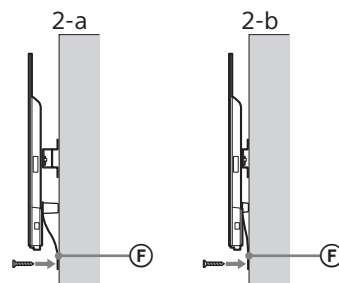


### AVISO

- Certifique-se de que o transporte do televisor é ser efectuado por duas ou mais pessoas.

## 2 Evitar que a parte de baixo do televisor se mova.

- Elimine a folga da cinta ⑥ e prenda-a firmemente à parede.



- Utilize um parafuso de 5 mm de diâmetro ou equivalente (não fornecido).

### Nota

- Tente puxar a parte de baixo do televisor ligeiramente para si, para se certificar de que não se move para a frente. Se houver algum movimento, não é fixado correctamente e a cinta ⑥ deve voltar a ser firmemente presa.

PT

## Confirmar a conclusão da instalação

Verifique os seguintes pontos.

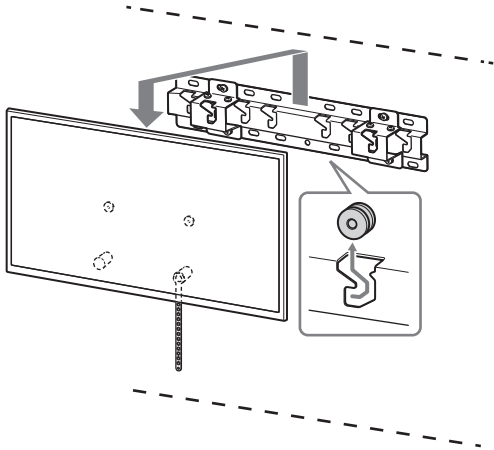
- As polias ⑧ estão penduradas com firmeza na base ou no adaptador de base.
- Os cabos de alimentação e ligação não estão dobrados nem trilhados.
- A cinta ⑨ está bem presa, sem folga.

### AVISO

- A instalação incorrecta do cabo de alimentação CA, etc., pode provocar um incêndio ou choque eléctrico devido a um curto-circuito. Verifique se a instalação está terminada, por medida de segurança.

## Outras informações

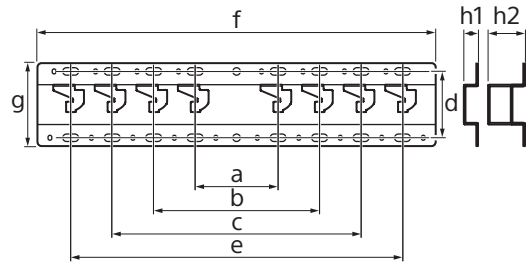
Quando remover o televisor, inverta o procedimento de instalação anterior.



### AVISO

- Certifique-se de que a remoção do televisor é ser efectuado por duas ou mais pessoas.

## Especificações



### Dimensões: (Aprox.) [mm]

- a : 100
- b : 200
- c : 300
- d : 80
- e : 400
- f : 480
- g : 100

h1 : 20 (caso 2-b)

h2 : 60 (caso 2-a)

### Peso (apenas base): (Aprox.) [kg]

0,8

O design e as especificações estão sujeitos a alterações sem aviso prévio.

# Oplysninger om montering med Sonys Beslag til vægmontering (SU-WL450)

## Understøttede modeller:

**KD-55XD80□□\*/49XD83□□\*/49XD80□□\*/43XD83□□\*/  
43XD80□□\***

\* "□□" i modelnavnene angiver tal og/eller tegn for den enkelte model.

Til kunder

Af hensyn til produktets og den generelle sikkerhed anbefaler Sony på det kraftigste, at monteringen af tv'et udføres af en Sony-forhandler eller en autoriseret installatør. Forsøg ikke at montere det selv.

Til Sony-forhandlere og installatører

Vær opmærksom på sikkerheden under montering, vedligeholdelse og eftersyn af produktet.

Installation af dette produkt kræver visse forudsætninger, især for at finde ud af, om væggen kan bære tv'ets vægt. Monteringen af dette produkt skal udføres af en Sony-forhandler eller autoriseret installatør under hensyntagen til sikkerheden. Sony er ikke ansvarlig for beskadigelse eller personskade, der opstår som følge af forkert håndtering eller forkert montering.

Af hensyn til sikkerheden og korrekt montering skal du følge den Betjeningsvejledning, der fulgte med dit Beslag til vægmontering, tv'ets Startvejledning og anvisningerne i denne vejledning.

## Om sikkerhed

Tak, fordi du har købt dette produkt.

### Til kunder

Installation af dette produkt kræver visse forudsætninger. Monteringen skal udføres af en Sony-forhandler eller autoriseret installatør under hensyntagen til sikkerheden. Sony er ikke ansvarlig for eventuelle materielle skader eller personskader, der skyldes forkert håndtering eller mangelfuld installation eller installation af et andet produkt end det, der er angivet. Dine eventuelle lovsikrede rettigheder påvirkes ikke.

### Til Sony-forhandlere

Installation af dette produkt kræver visse forudsætninger. Læs denne vejledning grundigt for at udføre monteringen på sikker vis. Sony kan ikke holdes ansvarlig for personskader eller materielle skader forårsaget af ukorrekt behandling eller montering. Giv denne vejledning til kunden efter monteringen.

Denne monteringsvejledning beskriver korrekt håndtering af produktet og de vigtigste forholdsregler, som er nødvendige for at forhindre ulykker. Læs denne vejledning grundigt, og brug produktet korrekt. Gem vejledningen til senere brug.

Sonys produkter er udformet med henblik på at opnå bedst mulig sikkerhed. Hvis produkterne anvendes forkert, kan det medføre alvorlig personskade som følge af brand, elektrisk stød, eller fordi produktet vælter eller falder ned. Undgå sådanne ulykker ved at overholde sikkerhedsforskrifterne.

## FORSIGTIG

### Specificerede produkter

Dette beslag til vægmontering kan kun bruges til montering af de ovenfor nævnte produkter. For tv'er skal du læse deres Referencevejledning for at finde ud af, om du kan bruge beslaget til vægmontering.

## Til kunder

### ADVARSEL

Hvis følgende forholdsregler ikke overholdes, kan det medføre alvorlig personskade eller død som følge af brand, elektrisk stød, eller fordi produktet vælter eller falder ned.

### Monteringen skal udføres af en autoriseret installatør. Børn må ikke være i nærheden under monteringen.

Hvis beslaget til vægmontering eller tv'et ikke monteres korrekt, kan der ske følgende ulykker. Lad en autoriseret installatør udføre monteringen.

- Tv'et kan falde ned og forårsage alvorlige skader, f.eks. blå mærker eller brud.
- Hvis den væg, hvor beslaget til vægmontering er monteret, er ustabil, skæv eller ikke står vinkelret på gulvet, kan enheden falde ned og forårsage personskade eller materiel skade. Væggen skal kunne holde en vægt på mindst fire gange tv'ets vægt. (Flere oplysninger om tv'ets vægt findes i tv'ets Referencevejledning).
- Hvis monteringen af beslaget til vægmontering ikke er solid nok, kan enheden falde ned og forårsage personskade eller materiel skade.

### Flytning eller afmontering af tv'et skal udføres af en autoriseret installatør.

Hvis tv'et flyttes eller afmonteres af ikke-autoriserede personer, kan det falde ned og forårsage personskade eller materiel skade. Sørg for, at der er mindst to personer til at bære eller afmontere tv'et.

### Du må ikke fjerne skruer osv., når tv'et er monteret.

Hvis du gør dette, kan tv'et falde ned og forårsage personskade eller materiel skade.

### Foretag ikke ændringer på beslaget til vægmontering.

Hvis du gør det, kan beslaget til vægmontering falde ned og forårsage personskade eller materiel skade.

### Monter ikke andet udstyr end det specificerede produkt.

Dette beslag til vægmontering er udviklet til kun at bruges sammen med det specificerede produkt. Hvis du monterer andet udstyr end det specificerede, kan det falde ned eller gå i stykker og forårsage personskade eller materiel skade.

### Monter ikke nogen anden belastning end tv'et på beslaget til vægmontering. Ryst ikke TV'et mod venstre/højre, op/ned.

Hvis du gør dette, kan tv'et falde ned og forårsage personskade eller materiel skade.

### Du må ikke læne dig ind over tv'et eller hænge i det.

Du må ikke læne dig ind over tv'et eller hænge i det, da det kan falde ned og forårsage alvorlig personskade.

## FORSIGTIG

Hvis følgende forholdsregler ikke overholdes, kan der opstå materiel skade eller personskade.

### Håndter produktet forsigtigt under rengøring og vedligeholdelse.

Du må ikke trykke hårdt ind på forsiden af tv'et. Hvis du gør dette, kan tv'et falde ned og forårsage personskade eller materiel skade.

## Sikkerhedsforanstaltninger

- Hvis du bruger tv'et monteret på beslaget til vægmontering gennem længere tid, kan væggen bag ved eller oven over tv'et blive misfarvet, eller tapetet kan løse sig, afhængigt af det materiale, væggen er lavet af.
- Hvis beslaget til vægmontering fjernes efter montering på væggen, bliver skruhullerne tilbage.
- Du må ikke bruge beslaget til vægmontering på et sted, hvor det udsættes for mekaniske vibrationer.

## Montering af beslaget til vægmontering

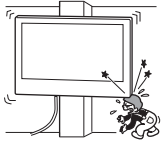
### Til Sony-forhandlere

### ADVARSEL

Følgende anvisninger er kun til Sony-forhandlere. Sørg for at læse ovennævnte sikkerhedsforskrifter grundigt, og vær særlig opmærksom på sikkerheden under montering, vedligeholdelse, kontrol og reparation af dette produkt.

## Monter ikke beslaget til vægmontering på flader, hvor tv'ets hjørner eller sider stikker frem.

Monter ikke beslaget til vægmontering på flader, f.eks. en søjle, hvor tv'ets hjørner eller sider stikker frem. Hvis en person eller genstand støder imod tv'ets fremspringende hjørne eller side, kan det medføre personskaade eller materiel skade.

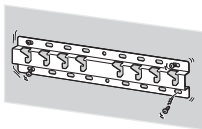


## Du må ikke montere tv'et over eller under et klima anlæg.

Hvis tv'et gennem længere tid udsættes for vanddryp eller luft fra et klima anlæg, kan det medføre brand, elektrisk stød eller beskadigelse af tv'et.

## Sørg for at montere beslaget til vægmontering sikkert på væggen ved at følge instruktionerne i denne brugervejledning.

Hvis nogle af skruerne er løse eller falder ud, kan beslaget til vægmontering falde ned og forårsage personskaade eller materiel skade. Sørg for at bruge skruer, der egner sig til det materiale, væggen er lavet af, og monter enheden sikkert ved at bruge mindst fire skruer med en diameter på 8 mm eller tilsvarende.



**Sørg for at bruge de medfølgende skruer og tilhørende dele korrekt, og følg anvisningerne i denne monteringsvejledning. Hvis du bruger andre dele, kan tv'et falde ned og forårsage personskaade eller blive beskadiget.**

## Sørg for at samle beslaget korrekt ved at følge den procedure, der er forklaret i denne brugervejledning.

Hvis nogle af skruerne er løse eller falder ud, kan tv'et falde ned og forårsage personskaade eller blive beskadiget.

## Sørg for at stramme skruerne tilstrækkeligt på den angivne position.

Hvis du ikke gør dette, kan tv'et falde ned og forårsage personskaade eller blive beskadiget.

## Sørg for, at tv'et ikke udsættes for stødpåvirkninger under monteringen.

Hvis tv'et udsættes for stødpåvirkninger, kan det falde ned og gå i stykker. Dette kan forårsage personskaade.

## Sørg for at montere tv'et på en væg, der er plan og vinkelret på gulvet.

Hvis du ikke gør dette, kan tv'et falde ned og forårsage personskaade.

## Sørg for at sikre kablerne forsvarligt efter korrekt montering af tv'et.

Hvis mennesker eller genstande bliver viklet ind i kablerne, kan det forårsage personskaade eller beskadigelse af tv'et.

## Du må ikke lade strømkablet eller tilslutningskablet blive klemt.

Hvis strømkablet eller tilslutningskablet er klemt mellem enheden og væggen eller bøjes eller snoes, kan ledningstrådene blive blottet og forårsage kortslutning eller strømafbrydelse. Dette kan medføre brand eller elektrisk stød.



## De skruer, der skal bruges til at fastgøre beslaget til væggen, medfølger ikke.

Brug skruer, der egner sig til det materiale, væggen er lavet af, når beslaget til vægmontering monteres.

## Montering af tv'et på væggen

Monteringsproceduren varierer afhængigt af tv'et.

Brug beslaget til vægmontering SU-WL450 til at montere tv'et på væggen.

### Bemærk

- Sørg for at opbevare skruerne et sikkert sted væk fra børn.

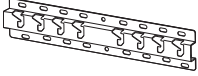













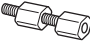



## Klargøring for installation

- Hav tv'ets Referencevejledning ved hånden før montering.
- Find på forhånd en stjerneskruestrækker frem, der passer til skruerne.
- Find tv'ets midtpunkt.
- Klargør mindst fire skruer med en diameter på 8 mm og en skrue på 5 mm eller tilsvarende (medfølger ikke). Vælg skruer, der passer til væggens materiale.


## Kontrol af dele

### Følger med SU-WL450

- Kontroller, at alle dele forefindes.

Ⓐ Base (20) (1) 	Ⓑ Trisse (2) 
Ⓒ PSW 6x20 (4) 	Ⓓ PSW 4x20 med bøsning (2) 
Ⓔ Afstandsstykke (20) (2) 	Ⓕ Bælte (1) 
Ⓖ Bøsning (20) (M4) (2) 	Ⓗ PSW 4x20 (2) 
Ⓘ Baseadapter (2) 	Ⓙ PSW 4x10 (8) 
Ⓚ Afstandsstykke (60) (2) 	Ⓛ PSW 6x50 (2) 
Ⓜ Bøsning (M4) (2) 	Ⓝ PSW 4x50 (2) 
Ⓞ Vægmonteringsanordning (S) (2) 	Ⓟ Afstandsstykke (2) 
Ⓠ Skive (1) 	Ⓡ PSW 5x12 (1) 

### Følger med tv'et (findes på bagsiden)

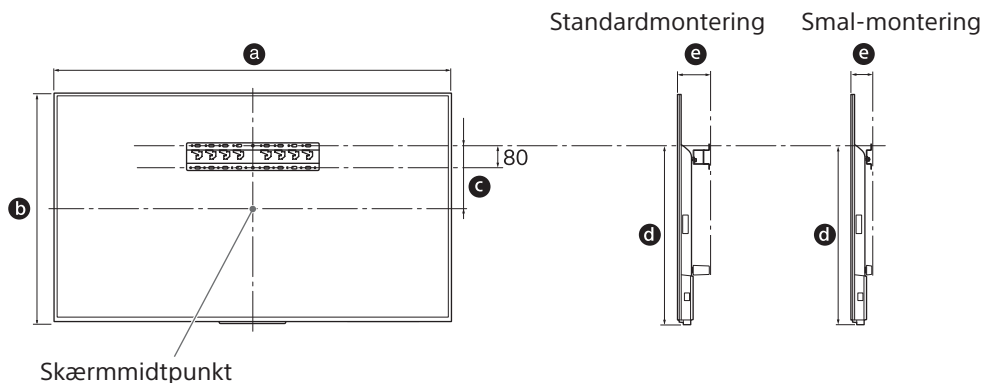
Kabelholder (1) 
--

# Find en placering

## 1 Find tv'ets placering.

Sørg for, at der er nok plads til tv'et på væggen, og at væggen kan bære en vægt på mindst fire gange tv'ets vægt.

Se følgende tabel vedrørende montering af tv'et på væggen. Flere oplysninger om tv'ets vægt findes i tv'ets Referencevejledning.



Enhed: mm

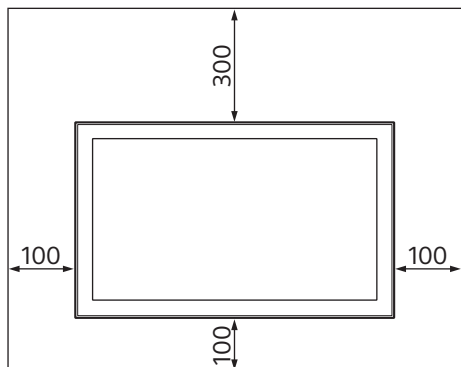
Modelnavn KD-	Skærmens mål		Mål for skærm- midt punkt	Længde for montering		
	a	b	c	d	Standard- montering	Smal- montering
55XD80□□	1.231	717	129	494	102	60
49XD83□□ 49XD80□□	1.093	639	181	508	102	60
43XD83□□	960	564	209	498	108	66
43XD80□□	960	564	209	498	107	65

### Bemærk

- Tallene i oversigten kan variere en smule afhængigt af monteringen.

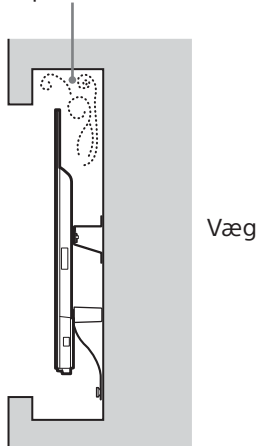
Tegningen nedenfor viser, hvor stor afstand der skal være mellem tv'et og loftet og fremspringende dele af væggen.

Enhed: mm



- For at sikre tilstrækkelig ventilation og forhindre ansamling af støv og snavs:
  - Læg ikke tv'et fladt ned, og monter det ikke på hovedet, bagvendt eller sidevendt.
  - Tv'et må ikke installeres på en hylde, et tæppe, en seng eller i et skab.
  - Tv'et må ikke dækkes til med stof, f.eks. gardiner, eller andre ting, f.eks. aviser osv.
  - Installer ikke tv'et som vist nedenfor.

Luftcirkulationen afspærres.



### Bemærk

- Hvis kablerne skal føres i væggen, skal du lave et hul, som de kan føres igennem, før monteringen påbegyndes. Lav et hul i væggen uden for basens (20) (A), baseadapter (1) og afstandsstykkets (20) (E), afstandsstykkets (60) (K) perimeter, så kablerne ikke kommer i klemme.

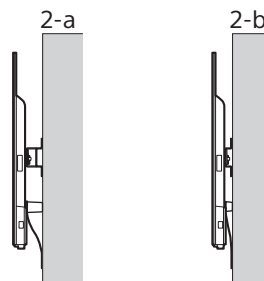
2 Vælg vægmonteringsform. Afstand fra tv'ets bagside til væggen kan vælges som vist nedenfor.

**2-a** Standardmontering  
**2-b** Smal montering

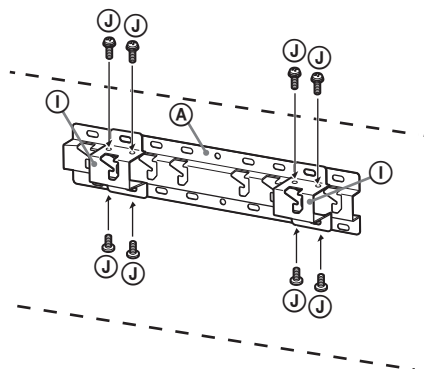
Se tabellen i trin 1.

### ADVARSEL

- Når 2-b vælges, begrænses adgangen til stikket bagpå.



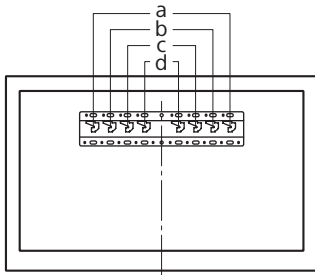
Tilpas baseadapter (1) med en skrue (PSW 4x10) (J) til base (20) (A) ved valg af 2-a.





- 3 Se tabellen nedenfor vedrørende placering af baseadapterens fitting. Ved valg af 2-b springes dette trin over.

Modelnavn KD-	krogplacering
55XD80□□	c
49XD83□□	
49XD80□□	
43XD83□□	d
43XD80□□	



- 4 Bestem positionerne for skrueerne til montering af base (20) (A).

Se specifikationerne på side 12.

Ved valg af 2-a bruges hulpositionerne i baseadapter (1).

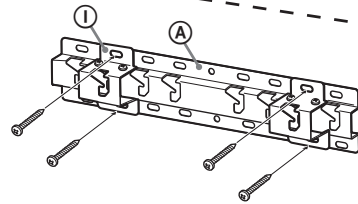
#### ADVARSEL

- Væggen, som tv'et skal monteres på, skal som minimum kunne klare en belastning på **fire gange** tv'ets vægt (Flere oplysninger om tv'ets vægt findes i tv'ets Referencevejledning).
- Kontroller bæreevnen for den væg, som tv'et skal hænges op på. Du kan eventuelt forstærke væggen.

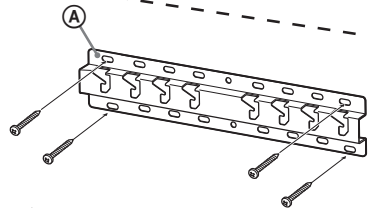
## Montering af basen på væggen

- Brug mindst fire skrue med en diameter på 8 mm eller tilsvarende (medfølger ikke).
- Sæt fire skrue i hullerne på baseadapter (1) med base (20) (A) (kun 2-a).
- Monter basen (20) (A) horisontalt på væggen.

2-a

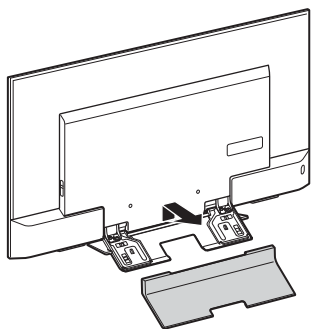


2-b



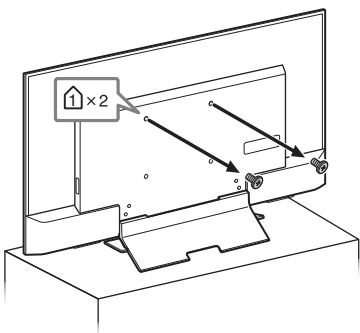
## Gør klar til montering af tv'et

- 1 Aftag foddækslet.  
(Kun KD-55XD80□□)

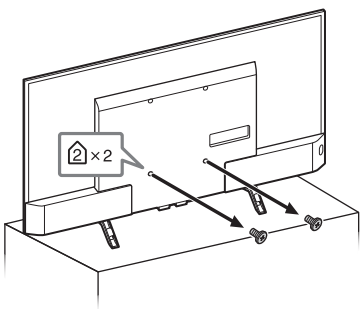


- 2 Fjern skrueene fra bagsiden af tv'et.

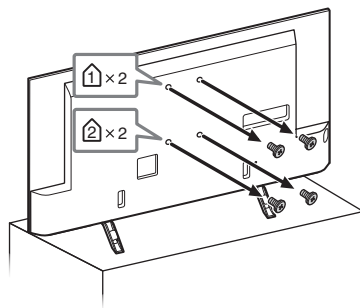
KD-55XD80□□



KD-49XD83□□/49XD80□□



KD-43XD83□□/43XD80□□

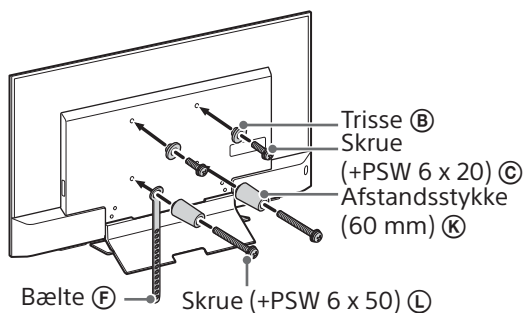


- 3 Montér de tilhørende dele til beslaget til vægmontering. Læs afsnittet "Følger med SU-WL450" under "Kontrol af dele" på side 5 for at få oplysninger om monteringsdele.

### Bemærk

- Fastgør monteringsdelene med skrue.
- Hvis der bruges en elektrisk skruetrækker, skal drejningsmomentet indstilles til ca. 1,5 N·m {15 kgf·cm}.
- Sørg for at opbevare dele, der ikke bruges, et sikkert sted til brug i fremtiden. Gem vejledningen til senere brug.

### Standardmontering (2-a)

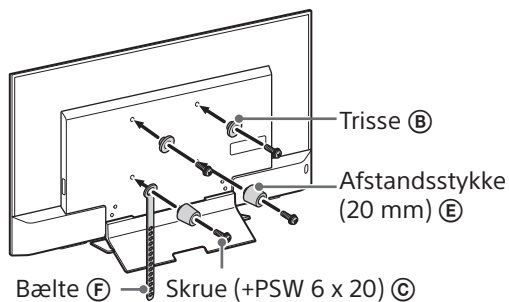
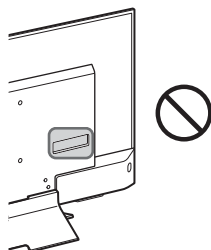


DK

## Smal-montering (2-b)

### Bemærk

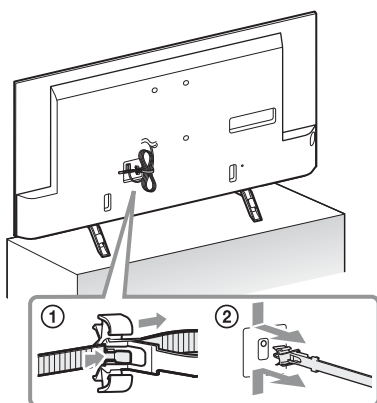
- Du kan ikke bruge nogle af stikkene bag på tv'et, hvis du bruger denne monteringsstype.



## 4 Slut de nødvendige kabler til tv'et.

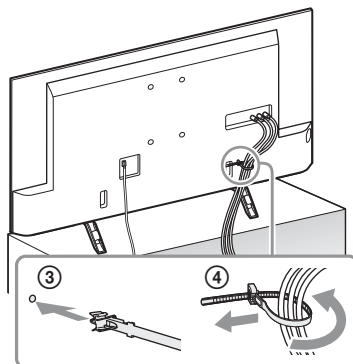
Sørg for at tilslutte kablerne før montering af tv'et på væggen. Du kan ikke tilslutte kablerne, når tv'et er monteret. Se den Referencevejledning, der fulgte med tv'et.

## 5 Løsn kabelholderen (følger med tv'et). (kun KD-43XD83□□/ 43XD80□□)



## 6 Saml kablerne.

KD-43XD83□□/43XD80□□:  
Sæt kabelholderen i ét af hullerne.

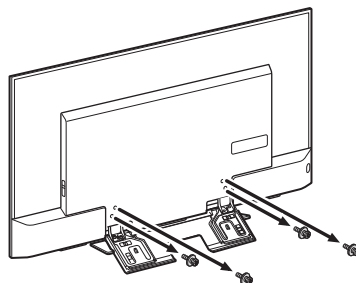


### Bemærk

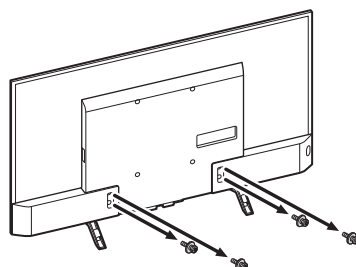
- Lad en autoriseret person trække kablerne i væggen.
- Saml tilslutningskablerne, så de ikke bliver trådt på før vægmontering.

## 7 Afmonter tv'ets tv-fod.

Kun KD-55XD80□□



Undtagen KD-55XD80□□

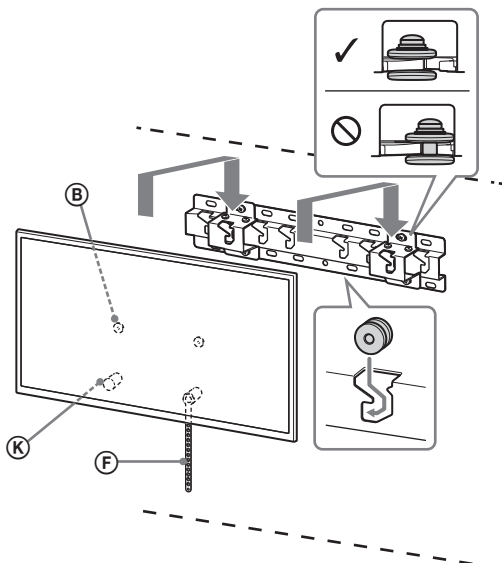


# Vægmontering af tv'et

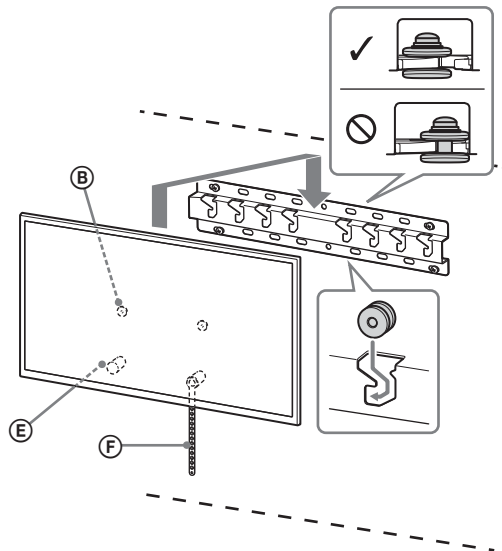
## 1 Monter tv'et på basen.

- For placering af trisserne ② på basen, se oversigten i trin 3 i afsnittet "Find en placering" på side 8.
- Hold tv'et sikkert med begge hænder, og hæng forsigtigt trisserne ②, som er fastgjort bag på tv'et, til basen, og bemærk hullernes form.
- Efter montering af tv'et på væggen kontrolleres, at trisserne ② er fastgjort korrekt i basen eller i baseadapteren.

2-a



2-b

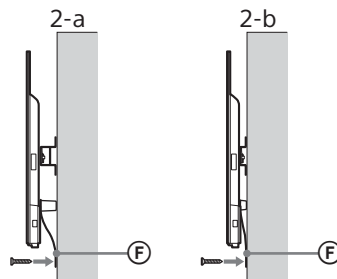


### ADVARSEL

- Sørg for, at der er mindst to personer til at bære tv'et.

## 2 Sådan forhindres, at tv'et bund flytter sig.

- Fastgør bæltet ⑥ ordentligt til væggen.



- Brug en skrue med en diameter på 5 mm eller tilsvarende (medfølger ikke).

### Bemærk

- Prøv forsigtigt at trække tv'ets bund mod dig selv for at sikre dig, at det ikke kan flyttes fremad. Hvis bunden kan flyttes, er den ikke fastgjort korrekt, og bæltet ⑥ skal sikres ordentligt igen.

DK

## Kontroller monteringen

Kontroller følgende punkter.

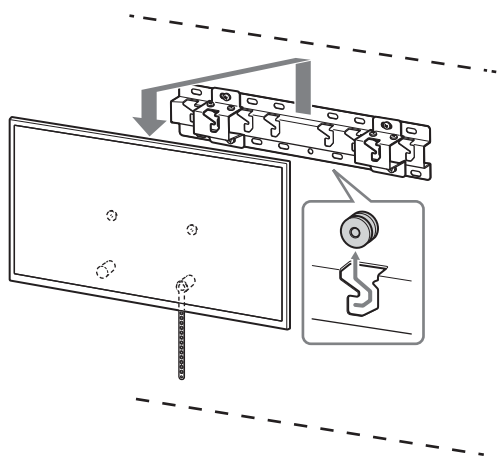
- Trisserne  $\text{\textcircled{B}}$  skal hænge ordentlig i basen eller i baseadapteren.
- Ledningen og kablet må ikke være snoet eller klemt.
- Bæltet  $\text{\textcircled{F}}$  skal være stramt uden at hænge.

### ADVARSEL

- Forkert placering af strømkablet osv. kan medføre brand eller give elektrisk stød, hvis der opstår en kortslutning. Kontroller, at monteringen er sikker.

## Flere oplysninger

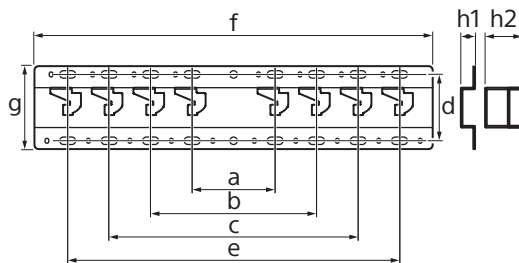
Hvis tv'et skal afmonteres, udføres monteringsproceduren i omvendt rækkefølge.



### ADVARSEL

- Sørg for, at der er mindst to personer til at bære tv'et.

## Specifikationer



### Mål: (ca.) [mm]

- a : 100
- b : 200
- c : 300
- d : 80
- e : 400
- f : 480
- g : 100

h1 : 20 (monteringsmetode 2-b)

h2 : 60 (monteringsmetode 2-a)

### Vægt (kun base): (ca.) [kg]

0,8

Design og specifikationer kan ændres uden varsel.

# Asennustiedot Sonyn seinäasennuskiinnittimen (SU-WL450) käyttämiseksi

## Tuetut mallit:

**KD-55XD80□□\*/49XD83□□\*/49XD80□□\*/43XD83□□\*/  
43XD80□□\***

\* Kyseisissä mallinimissä "□□" tarkoittaa kunkin mallin numeroita ja/tai merkkejä.

### Asiakkaille

Tuotteen suojelemiseksi ja turvallisuuden vuoksi Sony suosittelee, että television asennus annetaan Sonyn jälleenmyyjän tai asiantuntevan huoltoliikkeen tehtäväksi. Älä yritä asentaa sitä itse.

### Sony-jälleenmyyjille ja huoltoliikkeille

Kiinnitä erityistä huomiota turvallisuuteen tämän tuotteen asennuksen, huollon ja tarkastuksen aikana.

Tämän tuotteen asentaminen edellyttää riittävää ammattitaitoa erityisesti sen määrittämiseksi, kestäkö seinä television painon. Tämän tuotteen seinään asentaminen on jätettävä Sonyn jälleenmyyjän tai huoltoliikkeen tehtäväksi ja asennuksen turvallisuuteen on kiinnitettävä riittävästi huomiota. Sony ei ole vastuussa mistään vahingosta tai vammoista, jotka johtuvat tuotteen väärästä käsittelystä tai asennuksesta.

Noudata turvallisuuden ja oikean asennuksen varmistamiseksi seinäasennuskiinnittimen käyttöohjeita, television aloitusopasta ja tämän oppaan ohjeita.

## Turvallisuus

Kiitos, että päätit ostaa tämän tuotteen.

### Asiakkaile

Tämän tuotteen asentaminen edellyttää riittävää ammattitaitoa. Asennus on annettava Sony-jälleenmyyjän tai valtuutetun asentajan tehtäväksi, ja turvallisuuteen on kiinnitettävä erityistä huomiota asennuksen aikana. Sony ei ole vastuussa mistään vahingosta tai vammoista, jotka johtuvat tuotteen väärästä käsittelystä tai asennuksesta tai muun kuin määritetyn tuotteen asennuksesta. Tämä ei vaikuta (mahdollisiin) lakisääteisiin oikeuksiisi.

### Sony-jälleenmyyjille

Tämän tuotteen asentaminen edellyttää riittävää ammattitaitoa. Lue nämä käyttöohjeet huolellisesti, jotta asennus voidaan suorittaa turvallisesti. Sony ei ole vastuussa mistään vahingosta tai vammoista, jotka johtuvat tuotteen väärästä käsittelystä tai asennuksesta. Anna tämä käyttöohje asiakkaalle asennuksen jälkeen.

Tässä käyttöohjeessa kuvataan tuotteen oikeaoppinen käsittely sekä tärkeät varoimet onnettomuuksien estämiseksi. Muista lukea tämä ohje huolellisesti ja käyttää tuotetta oikein. Säilytä tämä käyttöohje tulevaa käyttöä varten.

Sonyn tuotteet on suunniteltu turvallisuutta ajatellen. Jos tuotteita käytetään väärin, seurauksena voi olla tulipalon, sähköiskun, tuotteen kaatumisen tai putoamisen aiheuttama vakava henkilövahinko. Huomioi turvallisuutta koskevat varoimet tällaisten onnettomuuksien estämiseksi.

## VAROIMET

### Määritetyt tuotteet

Tämä seinäasennuskiinnitin on tarkoitettu käytettäväksi sille määritettyjen televisioiden kanssa. Tarkista television viiteoppaasta, että seinäasennuskiinnintä voidaan käyttää.

## Asiakkaile

### VAROITUS

Jos seuraavia varoituimia ei noudateta, seurauksena voi olla tulipalon, sähköiskun tai tuotteen putoamisen aiheuttama vakava henkilövahinko tai kuolema.

### Asennuksen saa suorittaa vain valtuutettu asentaja. Pidä lapset poissa asennusalueelta asennuksen aikana.

Jos seinäasennuskiinnintä tai televisiota ei asenneta oikein, seurauksena voi olla seuraavat onnettomuudet. Muista jättää asennus valtuutetun asentajan tehtäväksi.

- Televisio saattaa pudota ja aiheuttaa mustelmia, murtumia tai muun vakavan henkilövahingon.
- Jos seinä, johon seinäasennuskiinnitin asennetaan, on epävaka, epätasainen tai se ei ole kohtisuorassa lattiaan nähden, yksikkö saattaa pudota ja aiheuttaa henkilö- tai omaisuusvahingon. Seinän on pystyttävä kantamaan vähintään neljä kertaa television paino. (Katso television paino sen viiteoppaasta.)
- Jos seinäasennuskiinnintä ei ole asennettu seinälle tarpeeksi tukevasti, yksikkö saattaa pudota ja aiheuttaa henkilö- tai omaisuusvahingon.

### Muista antaa television siirtäminen tai irrottaminen valtuutetun asentajan tehtäväksi.

Jos muut kuin valtuutetut asentavat kuljettavat tai irrottavat television, se saattaa pudota ja aiheuttaa henkilö- tai omaisuusvahingon. Varmista, että televisiota kantamassa tai irrottamassa on vähintään kaksi henkilöä.

### Älä irrota ruuveja tms. television kiinnityksen jälkeen.

Jos näin tehdään, televisio saattaa pudota ja aiheuttaa henkilö- tai omaisuusvahingon.

### Älä tee muutoksia seinäasennuskiinnittimen osiin.

Jos näin tehdään, seinäasennuskiinnitin saattaa pudota ja aiheuttaa henkilö- tai omaisuusvahingon.

### Älä asenna muita laitteita kuin määritelty tuote.

Tämä seinäasennuskiinnitin on tarkoitettu käytettäväksi ainoastaan sille määritetyn tuotteen kanssa. Jos asennat muun kuin määritetyn laitteen, se saattaa pudota ja rikkoutua ja aiheuttaa henkilö- tai omaisuusvahingon.

### Älä kohdista seinäasennuskiinnittimeen television lisäksi muuta kuormaa. Älä ravista televisiota vasemmalle/oikealle tai ylös/alas.

Jos näin tehdään, televisio saattaa pudota ja aiheuttaa henkilö- tai omaisuusvahingon.

### Älä nojaa tai riipu televisiosta.

Älä nojaa tai riipu televisiosta, sillä se saattaa pudota ja aiheuttaa vakavan henkilövahingon.

## VAROIMET

Jos seuraavia varoituimia ei noudateta, seurauksena voi olla henkilö- tai omaisuusvahinko.

### Älä käytä liikaa voimaa tuotteen puhdistuksen tai huollon yhteydessä.

Älä paina television yläosavälillä liialla voimalla. Jos näin tehdään, televisio saattaa pudota ja aiheuttaa henkilö- tai omaisuusvahingon.

## Varoimet

- Jos seinäasennuskiinnittimeen asennettua televisiota käytetään pitkään, television takana tai yläpuolella oleva seinäpinta voi värjäytyä tai tapetti irrota seinämateriaalista riippuen.
- Jos seinäasennuskiinnitin irrotetaan sen seinään asentamisen jälkeen, seinään jää ruuvinreiät.
- Älä käytä seinäasennuskiinnintä paikassa, johon kohdistuu mekaanista värähtelyä.

## Seinäasennuskiinnittimen asentaminen

### Sony-jälleenmyyjille

## VAROITUS

Seuraavat ohjeet ovat ainoastaan Sony-jälleenmyyjille. Muista lukea edellä olevat turvallisuusvaroimet ja kiinnitä erityistä huomiota turvallisuuteen tämän tuotteen asennuksen, huollon ja tarkastuksen aikana.

## **Älä asenna seinäasennuskiinnitintä seinäpintoihin, joissa television kulmat tai sivut ulkonevat seinäpinnasta.**

Älä asenna seinäasennuskiinnitintä pylvääseen tai vastaaviin seinäpintoihin, joissa television kulmat tai sivut ulkonevat seinäpinnasta. Jos henkilö tai esine osuu television ulkonevaan kulmaan tai sivuun, seurauksena voi olla henkilö- tai omaisuusvahinko.

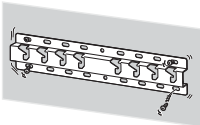


## **Älä asenna televisiota ilmastointilaitteen ylä- tai alapuolelle.**

Jos televisio altistuu ilmastointilaitteen vesivuodoille tai ilmapirralle pitkiä aikoja, seurauksena voi olla tulipalo, sähköisku tai television toimintahäiriö.

## **Muista asentaa seinäasennuskiinnitin tukevasti seinään tässä käyttöohjeessa annettujen ohjeiden mukaisesti.**

Jos jokin ruuveista on löysällä tai pudonnut, seinäasennuskiinnitin saattaa pudota ja aiheuttaa henkilö- tai omaisuusvahingon. Muista käyttää seinämateriaalille sopivia ruuveja ja asenna yksikkö tukevasti vähintään neljällä 8 mm:n ruuvilla (tai vastaavalla).



**Muista käyttää toimitettuja ruuveja ja kiinnitysosia oikein ja noudata tässä käyttöohjeessa annettuja ohjeita. Jos käytät korvaavia osia, televisio saattaa pudota ja aiheuttaa henkilövahingon tai vahingoittaa televisiota.**

## **Muista koota kiinnitin oikein noudattamalla tässä käyttöohjeessa selitettyä menetelmää.**

Jos jokin ruuveista on löysällä tai pudonnut, televisio saattaa pudota ja aiheuttaa henkilövahingon tai vahingoittaa televisiota.

## **Muista kiristää ruuvit kunnolla tarkoitettuihin kohtiin.**

Jos näin ei tehdä, televisio saattaa pudota ja rikkoutua sekä aiheuttaa henkilö- tai omaisuusvahingon.

## **Varo kohdistamasta televisioon iskuja asennuksen aikana.**

Jos televisioon kohdistuu isku, televisio saattaa pudota ja rikkoutua sekä aiheuttaa henkilö- tai omaisuusvahingon.

## **Televisio on asennettava seinään, joka on sekä kohtisuora että tasainen.**

Jos näin ei tehdä, televisio saattaa pudota ja rikkoutua sekä aiheuttaa henkilö- tai omaisuusvahingon.

## **Kun televisio on asennettu oikein, kiinnitä kaapelit kunnolla.**

Jos henkilöitä tai esineitä sotkeutuu kaapeleihin, seurauksena saattaa olla henkilövahinko tai television vahingoittuminen.

## **Älä anna virtajohdon ja liitäntäkaapelin jäädä puristuksiin.**

Jos virtajohto tai liitäntäkaapeli jää puristuksiin laitteen ja seinän väliin tai niitä taitetaan tai kierretään voimalla, sisäiset johtimet voivat tulla näkyviin ja seurauksena on oikosulku tai katkos. Tämä voi aiheuttaa tulipalon tai sähköiskun.



## **Seinäasennuskiinnittimen seinäkiinnitykseen tarvittavat ruuvit eivät sisälly toimitukseen.**

Käytä seinämateriaalille ja -rakenteelle sopivia ruuveja, kun kiinnität seinäasennuskiinnittimen.



## Television asennus seinään

Asennusmenetelmä vaihtelee eri televisioilla. Käytä seinäasennuskiinnintä SU-WL450 television asentamiseksi seinälle.

### Huomautus

- Pane irrotetut ruuvit talteen turvalliseen paikkaan pois lasten ulottuvilta.

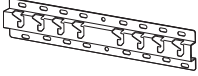

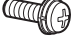







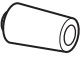

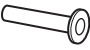

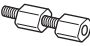



## Asennuksen valmistelu

- Television viiteoppaan on oltava käsillä ennen asennusta.
- Hanki ennen kokoonpanoa valmiiksi ruuveihin sopiva ristipääruuvitaltta.
- Tarkista television asennuskohta.
- Pidä valmiina vähintään neljä halkaisijaltaan 8 mm:n ja yksi 5 mm:n ruuvi tai vastaava (lisävaruste). Valitse seinämateriaalille sopivat ruuvit.

## Osien tarkistaminen

### Toimitetaan SU-WL450:n mukana

- Tarkista, että kaikki osat on toimitettu.

Ⓐ Jalusta (20) (1) 	Ⓑ Hihnapyörä (2) 
Ⓒ PSW 6x20 (4) 	Ⓓ PSW 4x20 ja holkki (2) 
Ⓔ Välike (20) (2) 	Ⓕ Hihna (1) 
Ⓖ Holkki (20) (M4) (2) 	Ⓗ PSW 4x20 (2) 
Ⓘ Jalustan sovitin (2) 	Ⓙ PSW 4x10 (8) 
Ⓚ Välike (60) (2) 	Ⓛ PSW 6x50 (2) 
Ⓜ Holkki (M4) (2) 	Ⓝ PSW 4x50 (2) 
Ⓞ Seinäasennuskiinnike (S) (2) 	Ⓟ Välike (2) 
Ⓠ Aluslevy (1) 	Ⓡ PSW 5x12 (1) 

### Toimitetaan television mukana (kiinnitetty taakse)

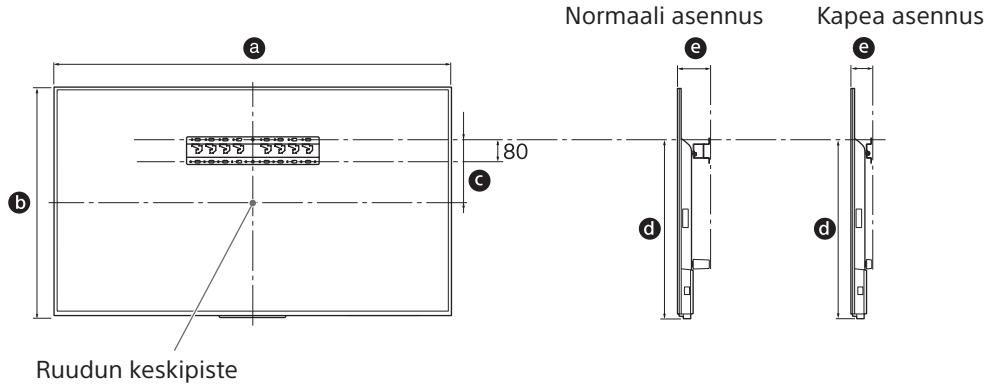
Johtopidike (1) 
--

# Asennuspaikan määrittäminen

## 1 Määritä asennuspaikka.

Varmista, että seinä on riittävän iso televisiolle ja pystyy kantamaan vähintään neljä kertaa television painon.

Katso seuraava taulukko television asentamiseksi seinälle. Katso television paino television viiteoppaasta.



Yksikkö: mm

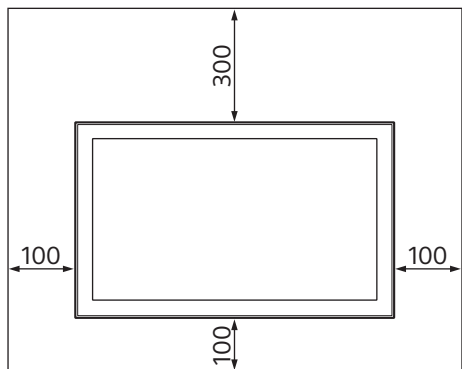
Mallinimi KD-	Näytön mitat		Ruudun keskikohdan mitta		Asennuspituus	
	a	b	c	d	e	
					Normaali asennus	Kapea asennus
55XD80□□	1 231	717	129	494	102	60
49XD83□□ 49XD80□□	1 093	639	181	508	102	60
43XD83□□	960	564	209	498	108	66
43XD80□□	960	564	209	498	107	65

### Huomautus

- Taulukon arvot voivat vaihdella hieman asennuksen mukaan.

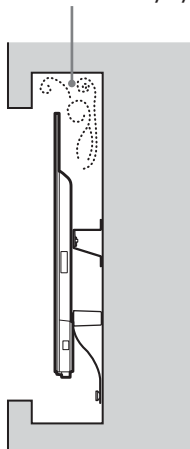
Jätä sopiva väli television ja katon sekä seinän esiintyntyvien osien välillä seuraavan kuvan mukaisesti.

Yksikkö: mm



- Noudata seuraavia ohjeita asianmukaisen ilmanvaihdon varmistamiseksi ja lian tai pölyn kerääntymisen estämiseksi:
  - Älä asenna televisiota takaosan varaan, ylösalaisin, takaperin tai sivuttain.
  - Älä sijoita televisiota hyllyn, maton tai vuoteen päälle tai kaappiin.
  - Älä peitä televisiota millään tekstiilillä tai muilla vastaavilla, esimerkiksi verhoilla tai sanomalehdillä jne.
  - Älä asenna televisiota alla olevien kuvien mukaisesti.

Ilmankierto estynyt.



Seinä

#### Huomautus

- Jos kaapeli on tarkoitus vetää seinän sisälle, tee seinään reikä kaapeleille ennen asennuksen aloittamista. Estää kaapeleiden jääminen puristuksiin tekemällä seinään reikä jalustan (20) A, Jalustan sovitin ① ja välkkeen (20) E, välkkeen (60) K kehän ulkopuolelle.

## 2 Valitse seinäasennustapa.

Etäisyys TV:n takasivulta seinään voidaan valita seuraavasti.

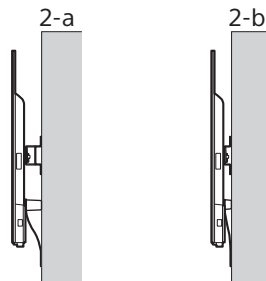
**2-a** Vakiokiinnike

**2-b** Ohut kiinnike

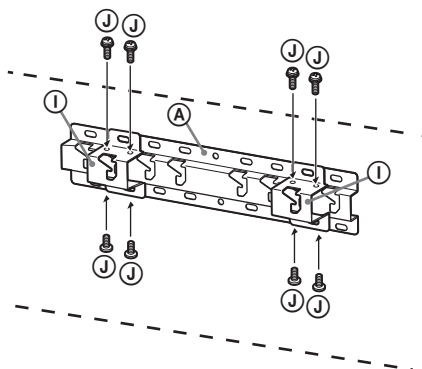
Katso kohdan 1 taulukko.

#### VAROITUS

- Kun valitaan 2-b, pääsy takana oleviin liittimiin on rajallinen.

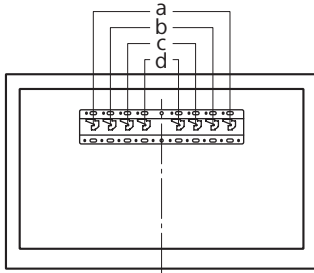


Asenna jalustan sovitin ① ruuvilla (PSW 4x10) J jalustaan (20) A, kun valitaan 2-a.



**3** Katso jalustan sovittimen kiinnityspaikka alla olevasta taulukosta. Jos valitaan 2-b, ohita tämä vaihe.

Mallinimi KD-	Koukun sijainti
55XD80□□ 49XD83□□ 49XD80□□	c
43XD83□□ 43XD80□□	d



**4** Määritä ruuvien paikat jalustan (20) (A) asentamiseksi.

Katso tiedot sivulta 12.

**Kun valitaan 2-a, käytä reikien paikkoja jalustan sovittimessa (1).**

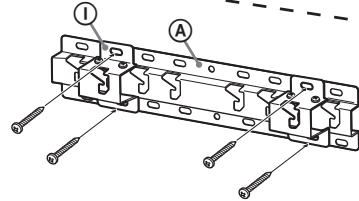
#### VAROITUS

- Seinän, johon televisio asennetaan, on pystyttävä kantamaan vähintään **neljä kertaa** television paino (Katso television paino sen viiteoppaasta.).
- Määritä seinän kestävyys, johon televisio asennetaan. Vahvista seinää tarvittaessa riittävästi.

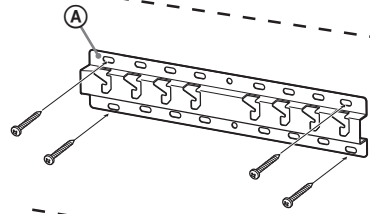
## Jalustan asennus seinään

- Käytä vähintään neljää halkaisijaltaan 8 mm:n tai vastaavaa ruuvia (lisävaruste).
- **Asenna neljä ruuvia jalustan sovittimeen (1) ja jalustaan (20) (A) (vain 2-a).**
- Asenna jalusta (20) (A) seinään vaakasuorassa.

2-a

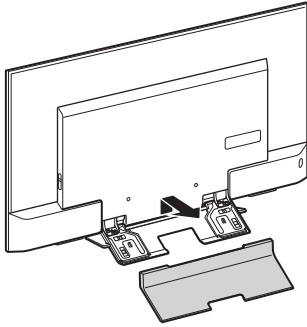


2-b



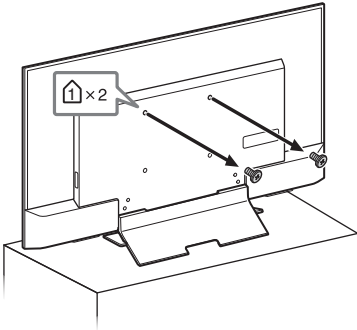
## Television asennuksen valmistelu

- 1 Irrota jalustan kansi.  
(Vain KD-55XD80□□)

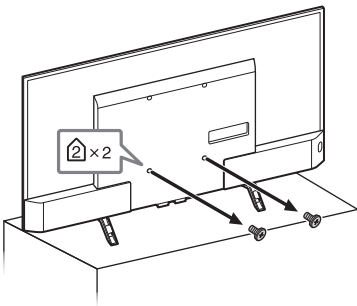


- 2 Irrota ruuvit television takaa.

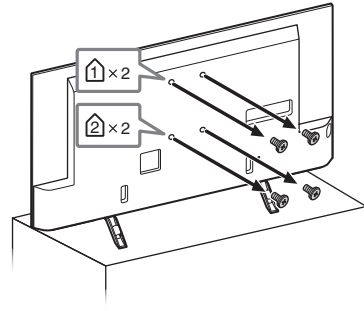
KD-55XD80□□



KD-49XD83□□/49XD80□□



KD-43XD83□□/43XD80□□

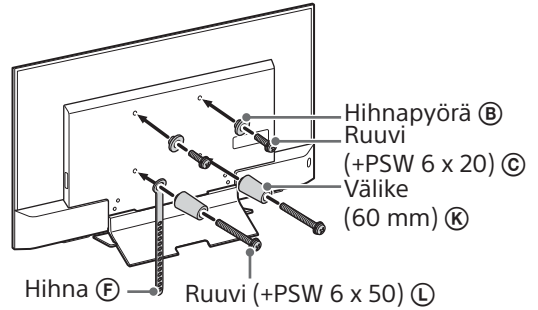


- 3 Kiinnitä seinäasennuskiinnittimen kiinnitysosat. Tarkista kiinnitysosat sivun 5 kappaleen "Osien tarkistaminen" kohdan "Toimitetaan SU-WL450:n mukana" mukaisesti.

### Huomautus

- Kiinnitä kiinnitysosat tukevasti käyttämällä ruuveja.
- Jos käytät sähkötoimista ruuvinväännintä, valitse kiristysvoiman asetukseksi noin 1,5 Nm {15 kgf-cm}.
- Säilytä käyttämättömät osat varmassa paikassa tulevaa käyttöä varten. Säilytä tämä käyttöohje tulevaa käyttöä varten.

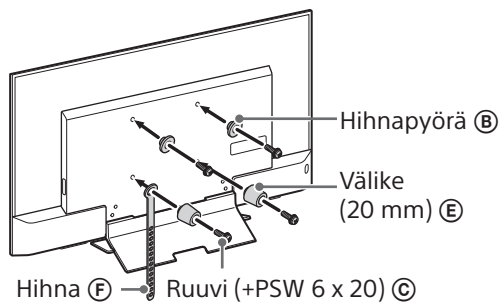
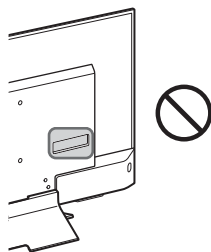
### Normaali asennus (2-a)



## Kapea asennus (2-b)

### Huomautus

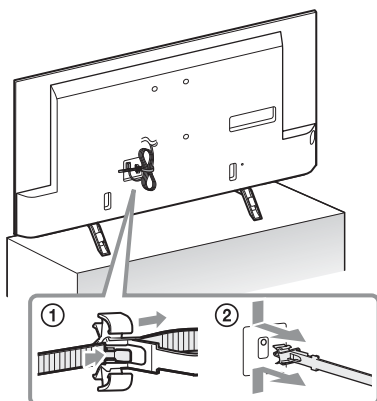
- Joitakin television takana olevia liittäntöjä ei voida käyttää, kun käytetään tätä asennustapaa.



## 4 Liitä tarvittava(t) kaapeli(t) television.

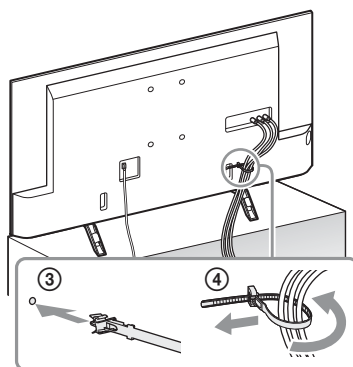
Muista liittää kaapelit ennen television asennusta seinään. Kaapeleita ei voi liittää sen jälkeen, kun televisio on asennettu. Katso television mukana toimitettu viiteopas.

## 5 Irrota johtopidike (toimitetaan television mukana). (vain KD-43XD83□□/ 43XD80□□)



## 6 Niputa kaapelit.

Kiinnitä malleissa KD-43XD83□□/  
43XD80□□ johtopidike toiseen  
sisemmistä rei'istä.

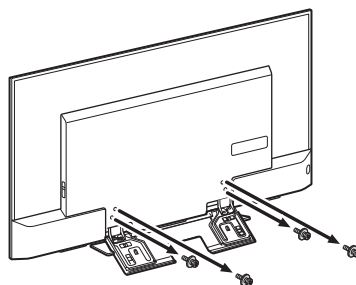


### Huomautus

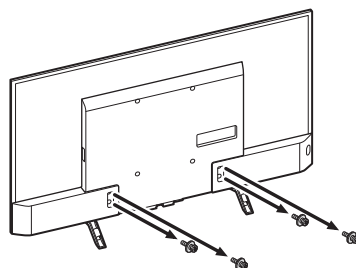
- Jätä kaapelien vetäminen valtuutetun asentajan tehtäväksi.
- Niputa kaapelit ennen seinälle asennusta, ettei niiden päälle astuta.

## 7 Irrota pöytäjalusta televisiosta.

Vain KD-55XD80□□



Paitsi KD-55XD80□□

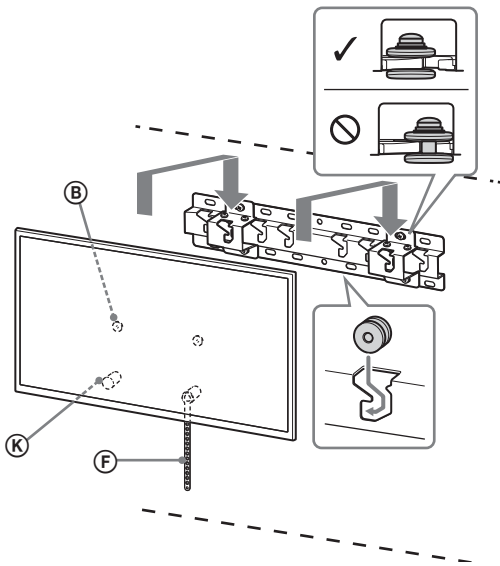


# Television asennus seinään

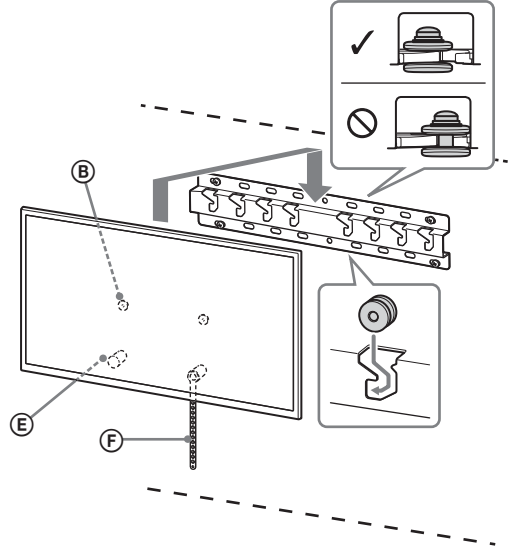
## 1 Asenna televisio jalustaan.

- Hihnapyörien ② ripustuspaikka jalustassa, ks. vaiheen 3 taulukko "Asennuspaikan määrittäminen" sivulla 8.
- Pidä televisiosta tukevasti kiinni molemmilla käsillä ja ripusta television taakse kiinnitetyt hihnapyörät ② jalustaan reikiin mukaisesti.
- Kun televisio on asennettu seinään, tarkista, että hihnapyörät ② ovat kunnolla kiinni jalustassa tai jalustan sovitinissa.

2-a



2-b

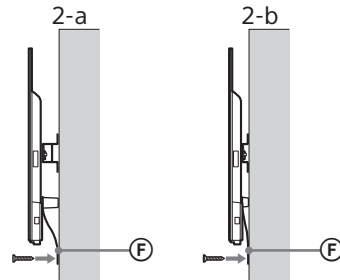


### VAROITUS

- Varmista, että vähintään kaksi henkilöä pitää kiinni televisiosta sen kantamisen aikana.

## 2 Television alaosan liikkumisen estäminen.

- Poista löysät hihnasta ② ja kiinnitä se tukevasti seinään.



- Käytä halkaisijaltaan 5 mm:n ruuvia tai vastaavaa (lisävaruste).

### Huomautus

- Varmista yrittämällä vetää television alaosaa hieman itseäsi kohti, ettei se liiku eteenpäin. Jos liikettä havaitaan, sitä ei ole kiinnitetty oikein ja hihna ② on kiinnitettävä tukevasti uudelleen.

FI

## Asennuksen tarkistaminen

Tarkista seuraavat kohdat.

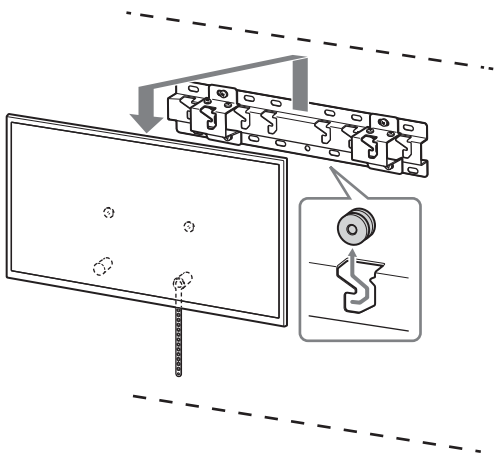
- Hihnapyörät (B) on ripustettu kunnolla jalustaan tai jalustan sovittimeen.
- Johto ja kaapeli eivät ole kiertyneenä tai puristuksissa.
- Hihna (F) on tiukalla eikä siinä ole löysää.

### VAROITUS

- Virtajohdon jne. virheellinen sijoitus saattaa aiheuttaa tulipalon tai sähköiskun oikosulun vuoksi. Muista tarkistaa valmis asennus turvallisuuden vuoksi.

## Muuta tietoa

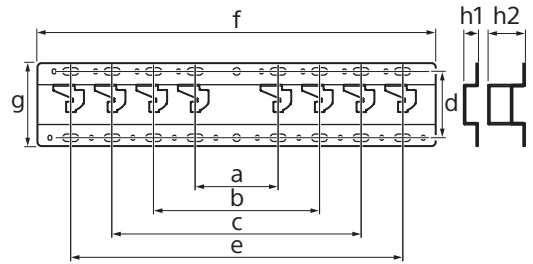
Televisio irrotetaan asennukseen nähden päinvastaisessa järjestyksessä.



### VAROITUS

- Varmista, että vähintään kaksi henkilöä pitää kiinni televisiosta sen irrotuksen aikana.

## Tekniset tiedot



### Mitat: (noin) [mm]

- a : 100
- b : 200
- c : 300
- d : 80
- e : 400
- f : 480
- g : 100

h1 : 20 (tapaus 2-b)

h2 : 60 (tapaus 2-a)

### Paino (vain jalusta): (noin) [kg]

0,8

Rakennetta ja teknisiä ominaisuuksia voidaan muuttaa ilman ennakoilmoitusta.



# Installasjonsveiledning for bruk med Sony veggmonteringsbrakett (SU-WL450)

## Støttede modeller:

**KD-55XD80□□\*/49XD83□□\*/49XD80□□\*/43XD83□□\*/  
43XD80□□\***

\* I de faktiske modellnavnene, indikerer "□□" tall og/eller bokstaver som gjelder spesielt for hver modell.

Til kunder

Av hensyn til produktets beskyttelse og sikkerheten, anbefaler Sony sterkt at TV-en installeres av Sony-forhandlere eller lisensierte entreprenører. Ikke forsøk å installere den selv.

Til Sony-forhandlere og -leverandører

Legg spesielt merke til sikkerheten under installasjonen, periodisk vedlikehold og ved undersøkelse av dette produktet.

Tilstrekkelig ekspertise er nødvendig for å installere dette produktet, spesielt for å fastslå at veggen kan klare TV-ens vekt. Overlat monteringen av dette produktet til Sony-forhandlere eller lisensierte entreprenører, og vær spesielt oppmerksom på sikkerheten under installasjon. Sony er ikke ansvarlig for eventuell skade eller personskade forårsaket av feil behandling eller installasjon.

Av hensyn til sikkerheten og korrekt installasjon, må bruksanvisning for veggmonteringsbrakett, TV-startveiledning samt anvisningene i denne veiledningen følges.

## Om sikkerheten

Takk for at du kjøpte dette produktet.

### Til kunder

Tilstrrekkelig ekspertise er nødvendig for å montere dette produktet. Overlat installasjonen til Sony-forhandlere eller lisensierte entreprenører, og vær spesielt oppmerksom på sikkerheten under installasjonen. Sony er ikke ansvarlige for skader eller personskader som oppstår som følge av feil håndtering eller installasjon, eller installasjon av annet enn det spesifiserte produktet. Dine forbrukerrettigheter (hvis noen) påvirkes ikke.

### Til Sony-forhandlere

Tilstrrekkelig ekspertise er nødvendig for å montere dette produktet. Les nøye gjennom denne bruksanvisningen for å gjøre installasjonen på en trygg måte. Sony er ikke ansvarlige for skader eller personskader som oppstår som følge av feil håndtering eller installasjon. Gi denne håndboken til kunden etter installasjon.

Denne bruksanvisningen viser korrekt håndtering av produktet og viktige forholdsregler som er nødvendige for å forhindre uhell. Sørg for at du leser nøye gjennom denne håndboken og bruker produktet på riktig måte. Ha denne håndboken tilgjengelig for fremtidig referanse.

Sonys produkter er utviklet med fokus på sikkerheten. Hvis produktene brukes feil, kan det derimot følge til alvorlig personskade på grunn av brann, elektrisk støt, produktet velter eller faller ned. Overhold forholdsreglene for sikkerhet for å forhindre slike uhell.

## FORSIKTIG

### Spesifiserte produkter

Denne veggmonteringsbraketten er utviklet for bruk med de oppgitte TV-produktene. For TV-er, se referanseveiledningene til TV-ene for å bekrefte at veggmonteringsbraketten kan brukes.

## Til kunder

### ADVARSEL

Hvis følgende forholdsregler ikke følges, kan alvorlig personskade eller dødsfall oppstå gjennom brann, elektrisk støt eller produktet kan falle ned.

### Overlat installasjonen til lisensierte entreprenører og hold små barn unna under installasjonen.

Hvis veggmonteringsbraketten eller TV-en ikke installeres riktig, kan følgende uhell oppstå. Sørg for at lisensierte entreprenører utfører installasjonen.

- TV-en kan falle ned og forårsake en alvorlig personskade som et blåmerke eller et brudd.
- Hvis veggen som veggmonteringsbraketten installeres på er ustabil, ujevn eller ikke vinkelrett til gulvet, kan enheten falle ned og forårsake personskade eller skade på eiendom. Veggen skal kunne støtte en vekt på minst fire ganger TV-ens vekt. (Se TV-ens referanseveiledning for vekten til TV-en.)
- Hvis veggmonteringsbraketten ikke installeres solid nok på veggen, kan enheten falle ned og forårsake personskade eller skade på eiendom.

### Overlat flytting eller demontering av TV-en til lisensierte entreprenører.

Hvis en annen person enn lisensierte entreprenører transporterer eller demonterer TV-en, kan den falle ned og forårsake personskade eller skade på eiendom. Sørg for at minst to eller flere personer bærer eller demonterer TV-en.

### Ikke fjern skruer e.l. etter montering av TV-en.

Hvis du gjør dette, kan TV-en falle ned og forårsake personskade eller skade på eiendom.

### Ikke gjør endringer på delene til veggmonteringsbraketten.

Hvis du gjør dette, kan veggmonteringsbraketten falle ned og forårsake personskade eller skade på eiendom.

### Ikke monter noe annet utstyr enn det spesifiserte produktet.

Denne veggmonteringsbraketten er utviklet for bruk med det spesifiserte produktet. Hvis du monterer annet utstyr enn det som er spesifisert, kan det falle ned eller ødelegges, og forårsake personskade eller skade på eiendom.

### Ikke påfør noen annen vekt enn den fra TV-en på veggmonteringsbraketten. Ikke rist TV-en til venstre/høyre eller opp/ned.

Hvis du gjør dette, kan TV-en falle ned og forårsake personskade eller skade på eiendom.

### Ikke len deg på eller heng fra TV-en.

Ikke len deg på eller heng fra TV-en da den kan falle ned på deg og forårsake personskade.

## FORSIKTIG

Hvis følgende forholdsregler ikke følges, kan personskade eller skade på eiendom oppstå.

### Ikke håndter produktet med ekstrem kraft under rengjøring eller vedlikehold.

Ikke bruk ekstrem kraft på oversiden på TV-en. Hvis du gjør dette, kan TV-en falle ned og forårsake personskade eller skade på eiendom.

## Forholdsregler

- Hvis du bruker TV-en montert på veggmonteringsbraketten over lang tid, kan veggen bak eller over TV-en bli misfarget eller tapeten kan løsne, avhengig av veggens materiale.
- Hvis veggmonteringsbraketten er fjernet etter at den er montert på veggen, står skruhellene igjen.
- Ikke bruk veggmonteringsbraketten på et sted hvor den er utsatt for mekaniske vibrasjoner.

## Installere veggmonteringsbraketten

### Til Sony-forhandlere

### ADVARSEL

Følgende instruksjoner er bare for Sony-forhandlere. Les sikkerhetsforholdsreglene beskrevet under og legg spesielt merke til sikkerheten under installasjon, vedlikehold og kontroll av dette produktet.

## **Ikke monter veggmonteringsbraketten på veggoverflater hvor hjørnene eller sidene av TV-en stikker frem fra veggoverflaten.**

Ikke monter veggmonteringsbraketten på veggoverflater som en søyle hvor hjørnene eller sidene av TV-en stikker frem fra veggoverflaten. Hvis en person eller en gjenstand treffer det utstikkende hjørnet eller siden på TV-en, kan det føre til personskaade eller skade på eiendom.

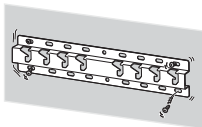


## **Ikke installer TV-en over eller under et klimaapparat.**

Hvis TV-en utsettes for vannlekkasjer eller luftstrøm fra et klimaapparat over lang tid, kan dette forårsake brann, elektrisk støt eller en feifunksjon på TV-en.

## **Sørg for at du monterer veggmonteringsbraketten sikkert på veggen etter anvisningene i denne bruksanvisningen.**

Hvis noen av skruene er løse eller faller ut, kan veggmonteringsbraketten falle ned og forårsake personskaade eller skade på eiendom. Sørg for at du bruker riktige skruer etter materialet i veggen og installer enheten sikkert med fire eller flere skruer av størrelsen 8 mm diameter (eller tilsvarende).



**Sørg for at du bruker de inkluderte skruene og tilkoblingsdelene på riktig måte etter anvisningene som er gitt i denne bruksanvisningen. Dersom du bruker erstattede deler, kan TV-en falle ned og forårsake personskaade eller skade på TV-en.**

## **Sørg for at du monterer braketten riktig etter anvisninger forklart i denne bruksanvisningen.**

Dersom noen av skruene er løse eller faller ut, kan TV-en falle ned og forårsake personskaade eller skade på TV-en.

## **Sørg for at du strammer skruene godt til i riktig posisjon.**

Hvis du ikke vil gjøre dette, kan TV-en falle ned og forårsake personskaade eller skade på TV-en.

## **Vær forsiktig så TV-en ikke utsettes for støt under installasjon.**

Hvis TV-en utsettes for støt, kan den falle ned eller ødelegges. Dette kan forårsake personskaade.

## **Sørg for at du installerer TV-en på en vegg som er både vinkelrett og flat.**

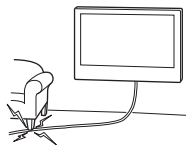
Hvis du ikke gjør dette, kan TV-en falle ned og forårsake personskaade.

## **Etter riktig installasjon av TV-en, må du feste kablene på riktig måte.**

Hvis personer eller gjenstander blir viklet inn i kablene, kan dette føre til personskaade eller skade på TV-en.

## **Ikke la strømledningen eller forbindelsesledningen komme i klem.**

Hvis strømledningen eller forbindelsesledningen blir klemt mellom enheten og veggen, eller blir bøyd eller vridd med makt, kan de interne lederne bli eksponert og forårsake en kortslutning eller et elektrisk brudd. Dette kan forårsake brann eller elektrisk støt.



## **Skruene som er nødvendige for å sikre veggmonteringsbraketten til veggen følger ikke med.**

Bruk skruer som passer for veggmaterialet og strukturen når du monterer veggmonteringsbraketten.

## Installere TV-en på veggen

Installasjonsfremgangsmåten varierer avhengig av TV-en.

Bruk veggmonteringsbrakett SU-WL450 til å installere TV-en på veggen.

### Merknad

- Sørg for at skruene du har fjernet blir oppbevart på en trygg plass, utenfor barns rekkevidde.

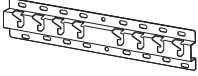









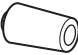



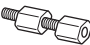



## Forberede installasjonen

- Ha TV-ens referanseveiledning tilgjengelig før installasjonen.
- Pass på at du har en Phillips-skrutrekker som passer skruene før monteringen.
- Bekreft posisjonen TV-en skal installeres i.
- Gjør klar fire eller flere skruer av 8 mm diameter og én skrue på 5 mm eller tilsvarende (medfølger ikke). Velg skruer som passer for materialet i veggen.


## Kontrollere delene

### Inkludert med SU-WL450

- Bekreft at alle deler følger med.

Ⓐ Sokkel (20) (1) 	Ⓑ Trinse (2) 
Ⓒ PSW 6x20 (4) 	Ⓓ PSW 4x20 med børste (2) 
Ⓔ Avstandsstykke (20) (2) 	Ⓕ Belte (1) 
Ⓖ Hylse (20) (M4) (2) 	Ⓗ PSW 4x20 (2) 
Ⓘ Sokkeladapter (2) 	Ⓙ PSW 4x10 (8) 
Ⓚ Avstandsstykke (60) (2) 	Ⓛ PSW 6x50 (2) 
Ⓜ Hylse (M4) (2) 	Ⓝ PSW 4x50 (2) 
Ⓞ Veggmonteringsfeste (5) (2) 	Ⓟ Avstandsstykke (2) 
Ⓠ Skive (1) 	Ⓡ PSW 5x12 (1) 

### Inkludert med TV-en (festet på baksiden)

Kabelholder (1) 
--

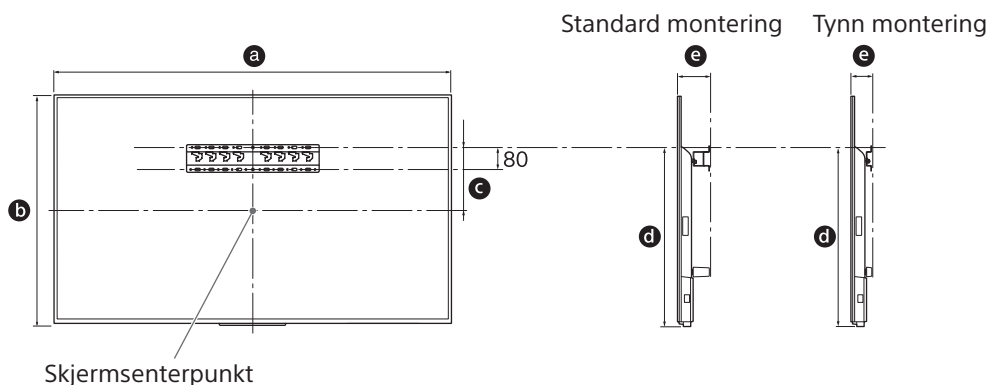
NO

# Bestemme installasjonsstedet

## 1 Bestemme installasjonsstedet.

Sørg for at veggen har nok plass for TV-en og at den kan støtte en vekt på minst fire ganger TV-ens.

Se følgende tabell om å installere TV-en på veggen. Se TV-ens referanseveiledning for TV-ens vekt.



Enhet: mm

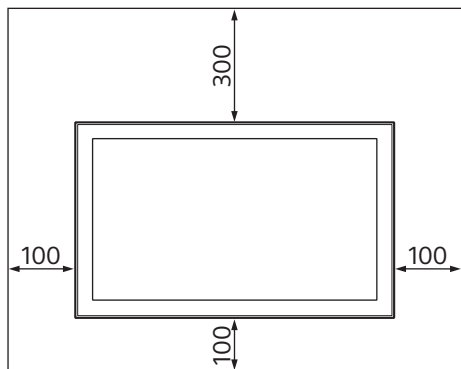
Modellnavn KD-	Skjermmåål		Skjermcentermåål	Lengde for montering		
	a	b	c	d	e	
					Standard montering	Tynn montering
55XD80□□	1231	717	129	494	102	60
49XD83□□ 49XD80□□	1093	639	181	508	102	60
43XD83□□	960	564	209	498	108	66
43XD80□□	960	564	209	498	107	65

### Merknad

- Tallene i tabellen kan variere noe avhengig av installasjonen.

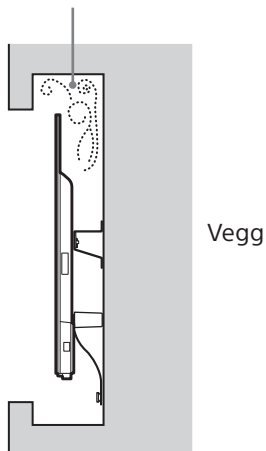
La det være en passende klarering mellom TV-en og taket og fremspringende deler av vegg som vist under.

Enhet: mm



- Sikre god ventilasjon og forhindre oppsamling av smuss eller støv:
  - Ikke legg TV-en flatt, installer den opp ned, baklengs eller sideveis.
  - Ikke plasser TV-en på en hylle, teppe, seng eller i et skap.
  - Ikke dekk til TV-en med en klut, som gardiner, eller med aviser, osv.
  - Aldri installer TV-en som vist under.

Luftsirkulering er blokkert.



#### Merknad

- Hvis du har tenkt å legge kablene i vegg, må du lage et hull i vegg for å føre inn kablene før du starter installasjonen. For å forhindre at kablene klemmes, må du lage et hull i vegg en plass utenfor perimeteret til sokkelen (20) **A**, sokkeladapter **I** og avstandsstykket (20) **E**, avstandsstykket (60) **K**.

**2** Velg veggmonteringsstil. Avstand fra TV-ens bakside fra vegg kan velges som vist under.

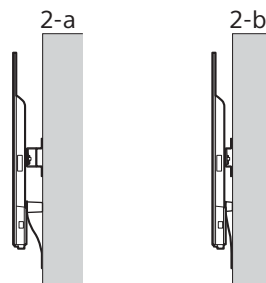
**2-a** Standard montering

**2-b** Tynn montering

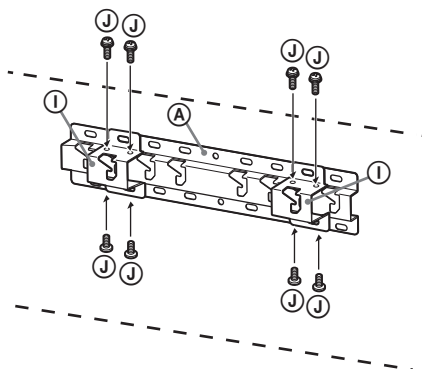
Se tabellen i trinn 1.

#### ADVARSEL

- Når 2-b er valgt, er tilgang til bakre terminal begrenset.

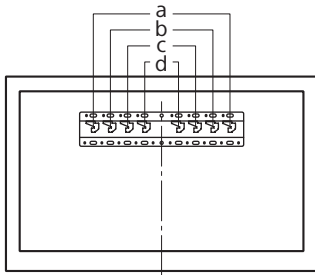


Monter sokkeladapter **I** ved å bruke skrue (PSW 4x10) **J** på sokkel (20) **A** når du velger 2-a.



- 3** Se tabellen under om sted for montering av sokkeladapter. Når du velger 2-b, hopper du over dette trinnet.

Modellnavn KD-	Krokplassering
55XD80□□ 49XD83□□ 49XD80□□	c
43XD83□□ 43XD80□□	d



- 4** Bestem posisjonene til skruene for å installere sokkelen (20) (A).

Se spesifikasjonene på side 12.

**Når du velger 2-a, kan du bruke hullposisjonene til sokkeladapter (I).**

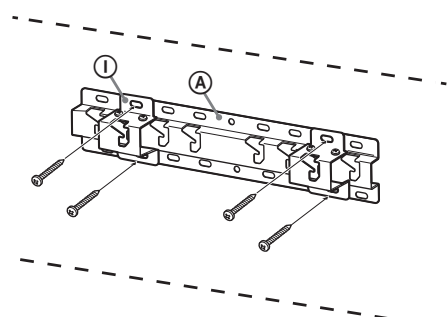
**ADVARSEL**

- Veggen som TV-en skal monteres på skal kunne støtte en vekt på minst **fire ganger** TV-ens (Se TV-ens referanseveiledning for vekten til TV-en.).
- Bestem styrken til veggen som TV-en skal monteres på. Gjør veggen sterkere ved behov.

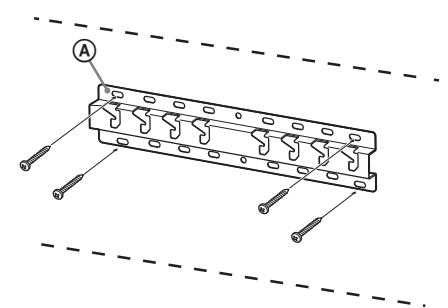
## Installere sokkelen på veggen

- Bruk fire eller flere skruer av 8 mm diameter eller tilsvarende (medfølger ikke).
- **Sett fire skruer inn i hullene på sokkeladapter (I) Med sokkel (20) (A) (kun 2-a).**
- Installer sokkelen (20) (A) horisontalt på veggen.

2-a

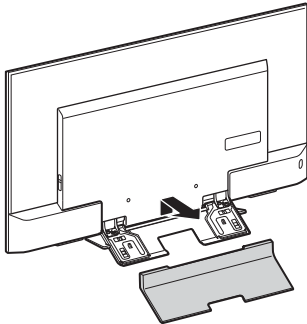


2-b



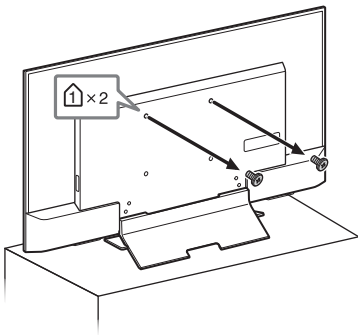
## Forberede installasjonen av TV-en

- 1 Fjern stativdekselet.  
(Kun KD-55XD80□□)

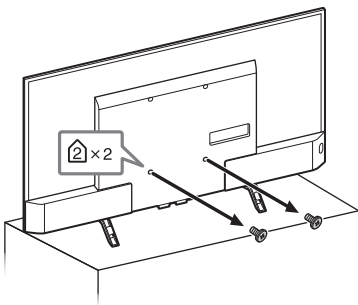


- 2 Fjern skruene fra baksiden av TV-en.

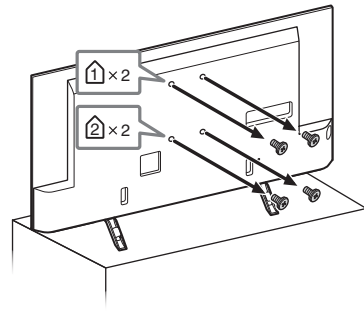
KD-55XD80□□



KD-49XD83□□/49XD80□□



KD-43XD83□□/43XD80□□

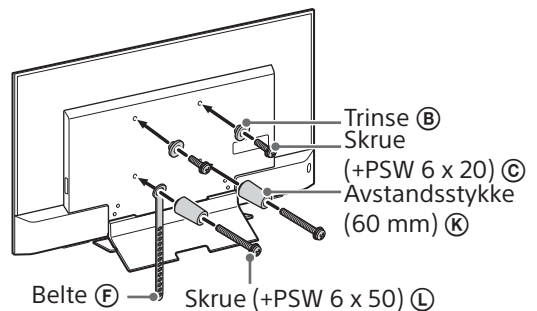


- 3 Fest tilkoblingsdelene for veggmonteringsbraketten.  
Kontroller tilkoblingsdelene ved å henvise til "Inkludert med SU-WL450" under "Kontrollere delene" på side 5.

### Merknad

- Fest tilkoblingsdelene sikkert med skruer.
- Når du bruker en elektrisk skrumaskin, still inn tiltrekkingsmomentet til ca. 1,5 N·m {15 kgf·cm}.
- Sørg for å oppbevare de ubrukte delene på et trygt sted for senere bruk. Ta vare på denne håndboken for senere.

### Standard montering (2-a)



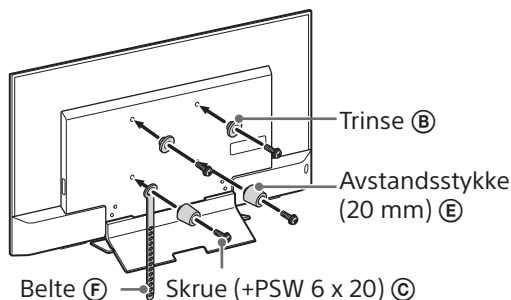
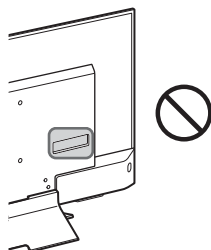
NO



## Tynn montering (2-b)

### Merknad

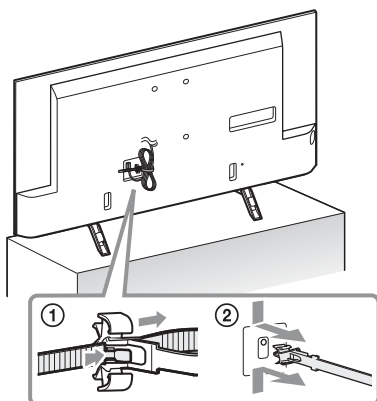
- Du kan ikke bruke noen av terminalene på baksiden av TV-en når denne monteringsmetoden brukes.



## 4 Koble de(n) nødvendige kable(n) til TV-en.

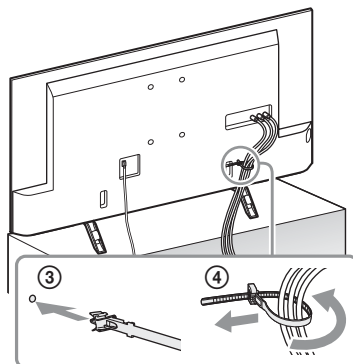
Sørg for at kablene kobles til før du installerer TV-en på veggen. Du kan ikke koble til kablene når TV-en er installert. Se referanseveiledningen som er inkludert med TV-en.

## 5 Løsne kabelholderen (inkludert med TV-en). (Kun KD-43XD83□□/43XD80□□)



## 6 Samle kablene.

For KD-43XD83□□/43XD80□□, fest kabelholderen til én av de interne hullene.

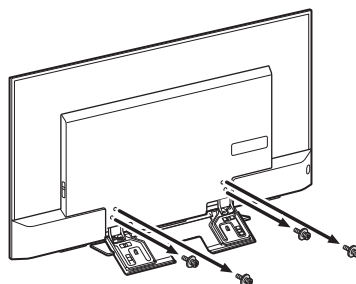


### Merknad

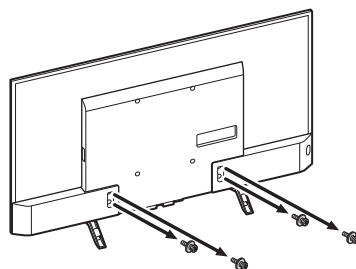
- Overlat kabelføringen i veggen til en lisensiert entreprenør.
- Samle forbindelsesledningene for å forhindre at du trækker på dem før montering på veggen.

## 7 Demonter bordstativet fra TV-en.

Kun KD-55XD80□□



Unntatt KD-55XD80□□

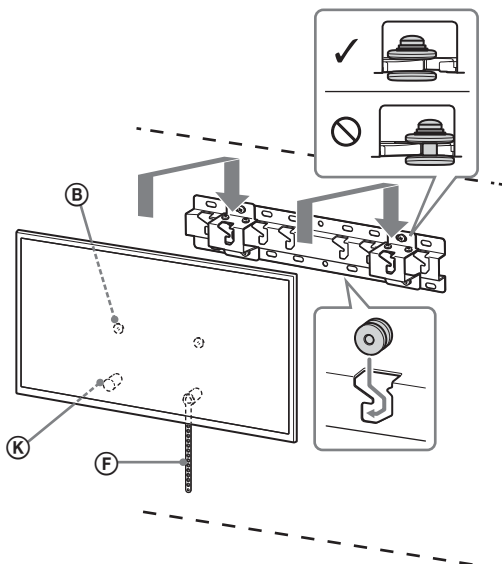


# Installere TV-en på vegg

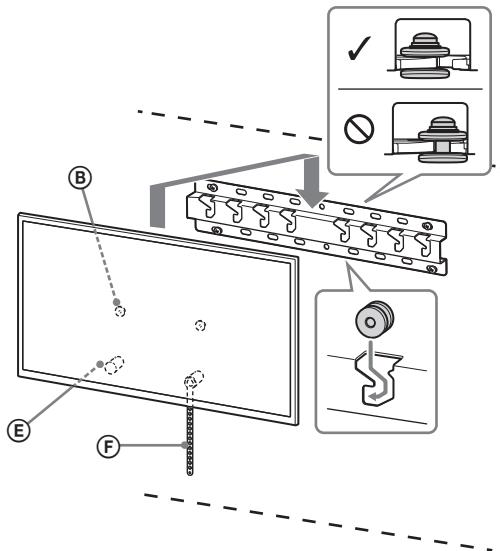
## 1 Installer TV-en på sokkelen.

- For å se hvor skivene ② skal henge på sokkelen, kan du se tabellen i trinn 3 i "Bestemme installasjonsstedet" på side 8.
- Hold TV-en med begge hendene på en sikker måte og heng skivene ② som er festet på baksiden av TV-en på sokkelen, mens du sørger for at det passer fasongen på hullene.
- Etter installasjon av TV-en på vegg, kontrollerer du at trinsene ② er godt festet på sokkelen eller sokkeladapteren.

2-a



2-b

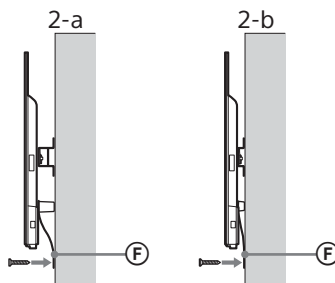


### ADVARSEL

- Sørg for at to eller flere personer holder TV-en når den bæres.

## 2 Forhindre at bunnen på TV-en forskyves.

- Ta opp slakken på belte ⑥ og fest det stramt til vegg.



- Bruk en skrue med 5 mm diameter eller tilsvarende (følger ikke med).

### Merknad

- Prøv å dra bunnen på TV-en mot deg selv litt, så du er sikker på at den ikke beveger seg fremover. Hvis det er bevegelse, er ikke TV-en riktig festet, og belte ⑥ burde strammes riktig igjen.

NO

## Bekreft fullføringen av installasjonen

Kontroller følgende punkter.

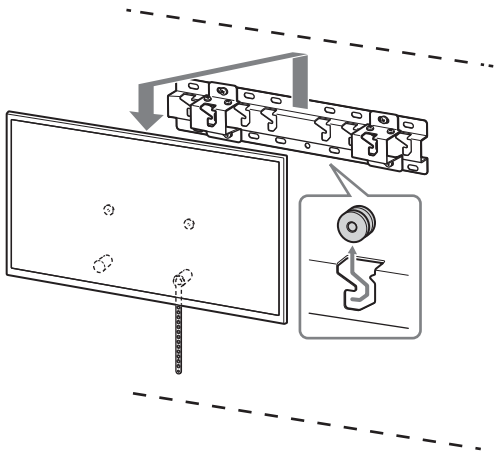
- Trinsene  $\textcircled{B}$  henger riktig på sokkelen eller sokkeladapteren.
- Ledningen og kabelen er ikke vridd eller klemt.
- Belte  $\textcircled{F}$  er stramt uten noe slakk.

### ADVARSEL

- Feil plassering av strømledningen, e.l. kan forårsake brann eller elektrisk støt på grunn av en kortslutning. Sørg for at installasjonen fullføres på riktig måte.

## Annen informasjon

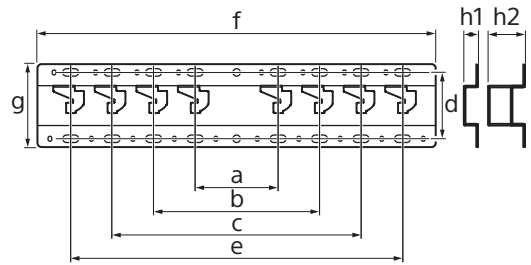
Når du fjerner TV-en, utfører du installasjonen i motsatt rekkefølge.



### ADVARSEL

- Sørg for at to eller flere personer holder TV-en når den fjernes.

## Spesifikasjoner



### Mål: (Ca.) [mm]

- a : 100
- b : 200
- c : 300
- d : 80
- e : 400
- f : 480
- g : 100

h1 : 20 (tilfelle 2-b)

h2 : 60 (tilfelle 2-a)

### Vekt (kun sokkel): (Ca.) [kg]

0,8

Design og spesifikasjoner kan endres uten forvarsel.

# Πληροφορίες εγκατάστασης για τη Χρήση της Επιτοίχιας βάσης της Sony (SU-WL450)

## Υποστηριζόμενα μοντέλα:

**KD-55XD80□□\*/49XD83□□\*/49XD80□□\*/43XD83□□\*/  
43XD80□□\***

\* Στις πραγματικές ονομασίες των μοντέλων, το "□□" υποδεικνύει τους αριθμούς ή/και χαρακτήρες του συγκεκριμένου μοντέλου.

Προς τους πελάτες

Για λόγους προστασίας και ασφάλειας του προϊόντος, η Sony συνιστά ένθερμα η εγκατάσταση της τηλεόρασής σας να πραγματοποιείται από αντιπροσώπους της Sony ή εξουσιοδοτημένους τεχνικούς. Μην επιχειρήσετε να την εγκαταστήσετε μόνοι σας.

Προς τους αντιπροσώπους της Sony και τους τεχνικούς

Δώστε μεγάλη προσοχή στην ασφάλεια κατά την εγκατάσταση, την περιοδική συντήρηση και τον έλεγχο του προϊόντος αυτού.

Απαιτείται επαρκής εμπειρία για την εγκατάσταση του προϊόντος αυτού και ειδικότερα για να προσδιοριστεί η αντοχή του τοίχου που θα συγκρατεί το βάρος της τηλεόρασης. Αναθέστε την τοποθέτηση του προϊόντος αυτού στον τοίχο σε αντιπροσώπους της Sony ή σε εξουσιοδοτημένους τεχνικούς και δείξτε την απαραίτητη προσοχή στα θέματα ασφάλειας κατά την εγκατάσταση. Η Sony δεν αναλαμβάνει καμία ευθύνη για τυχόν ζημιά ή τραυματισμό που ενδέχεται να προκληθεί από λανθασμένους χειρισμούς ή ακατάλληλη εγκατάσταση.

Για λόγους ασφαλείας και σωστής εγκατάστασης, ακολουθήστε τις Οδηγίες Χρήσης της Επιτοίχιας βάσης, τον Οδηγό έναρξης της τηλεόρασης και τις οδηγίες αυτού του εγχειριδίου.

## Σχετικά με την ασφάλεια

Σας ευχαριστούμε που αγοράσατε αυτό το προϊόν.

### Προς τους πελάτες

Για την εγκατάσταση αυτού του προϊόντος απαιτείται επαρκής τεχνική κατάρτιση. Αναθέστε την εγκατάσταση του προϊόντος σε αντιπροσώπους ή εξουσιοδοτημένους τεχνικούς της Sony και προσέξτε ιδιαίτερα τις προφυλάξεις ασφάλειας κατά τη διάρκεια της εγκατάστασης. Η Sony δεν φέρει ευθύνη για τυχόν ζημιές ή τραυματισμούς που προκλήθηκαν από τον κακό χειρισμό ή την λανθασμένη εγκατάσταση ή την εγκατάσταση προϊόντος άλλου από το καθορισμένο. Δεν επηρεάζονται τα νόμιμα δικαιώματά σας (εάν υπάρχουν).

### Προς τους αντιπροσώπους της Sony

Για την εγκατάσταση αυτού του προϊόντος απαιτείται επαρκής τεχνική κατάρτιση. Διαβάστε προσεκτικά το παρόν εγχειρίδιο οδηγιών, έτσι ώστε να εκτελέσετε τις εργασίες εγκατάστασης με ασφάλεια. Η Sony δεν αναλαμβάνει καμία ευθύνη για τυχόν ζημιά ή τραυματισμό που ενδέχεται να προκληθεί από λανθασμένους χειρισμούς ή ακατάλληλη εγκατάσταση. Μετά την εγκατάσταση, παραδώστε αυτό το εγχειρίδιο στον πελάτη.

Στο παρόν εγχειρίδιο οδηγιών παρουσιάζεται ο σωστός τρόπος χειρισμού του προϊόντος, καθώς και σημαντικές προφυλάξεις, οι οποίες είναι απαραίτητες για την αποφυγή ατυχημάτων. Διαβάστε προσεκτικά το εγχειρίδιο και χρησιμοποιήστε σωστά το προϊόν. Φυλάξτε το παρόν εγχειρίδιο για μελλοντική χρήση.

Τα προϊόντα της Sony σχεδιάζονται με γνώμονα την ασφάλεια. Σε περίπτωση λανθασμένου χειρισμού ενδέχεται να προκληθεί σοβαρός τραυματισμός λόγω πυρκαγιάς, ηλεκτροπληξίας, ανατροπής ή πτώσης του προϊόντος. Για να αποφύγετε τέτοιου είδους ατυχήματα, βεβαιωθείτε ότι λαμβάνετε τις προφυλάξεις ασφάλειας.

## ΠΡΟΣΟΧΗ

### Συμβατά προϊόντα

Αυτή η Επιτοίχια βάση έχει σχεδιαστεί για χρήση με τα καθορισμένα μοντέλα τηλεόρασης. Για τις τηλεοράσεις, ανατρέξτε στον Οδηγό αναφορές τους, προκειμένου να επαληθεύσετε εάν μπορείτε να χρησιμοποιήσετε την Επιτοίχια βάση.

## Προς τους πελάτες

### ΠΡΟΕΙΔΟΠΟΙΗΣΗ

Εάν δεν ληφθούν οι ακόλουθες προφυλάξεις, ενδέχεται να προκληθεί σοβαρός τραυματισμός ή θάνατος λόγω πυρκαγιάς, ηλεκτροπληξίας, ανατροπής ή πτώσης του προϊόντος.

### Φροντίστε να αναθέσετε την εγκατάσταση σε εξουσιοδοτημένους τεχνικούς και κρατήστε μακριά τα παιδιά κατά τη διάρκεια της εγκατάστασης.

Εάν η Επιτοίχια βάση ή η τηλεόραση δεν εγκατασταθούν σωστά, ενδέχεται να προκληθούν τα ατυχήματα που αναφέρονται παρακάτω. Βεβαιωθείτε ότι η εγκατάσταση θα εκτελεστεί από εξουσιοδοτημένους τεχνικούς.

- Η τηλεόραση ενδέχεται να πέσει και να προκαλέσει σοβαρούς τραυματισμούς, όπως μώλωπες ή κατάγματα.
- Εάν ο τοίχος στον οποίο θα εγκαταστήσετε την Επιτοίχια βάση είναι ασταθής, ανομοιομορφος ή δεν είναι κατακόρυφος προς το δάπεδο, ενδέχεται να προκληθεί πτώση της μονάδας με συνέπεια τραυματισμούς ή υλικές ζημιές. Ο τοίχος θα πρέπει να αντέχει σε βάρος τουλάχιστον τέσσερις φορές το βάρος της τηλεόρασης. (Ανατρέξτε στον Οδηγό αναφοράς της τηλεόρασής σας σχετικά με το βάρος της.)
- Εάν η Επιτοίχια βάση δεν στερεωθεί σταθερά στον τοίχο, ενδέχεται να προκληθεί πτώση της μονάδας με συνέπεια τραυματισμούς ή υλικές ζημιές.

### Αναθέστε τη μεταφορά ή την αφαίρεση της τηλεόρασης σε εξουσιοδοτημένους τεχνικούς.

Εάν η μεταφορά ή η αφαίρεση της τηλεόρασης πραγματοποιηθεί από μη εξουσιοδοτημένο προσωπικό, ενδέχεται να προκληθεί πτώση με συνέπεια τραυματισμούς ή υλικές ζημιές. Βεβαιωθείτε ότι η μεταφορά ή η αφαίρεση της τηλεόρασης θα πραγματοποιηθεί από δύο ή περισσότερα άτομα.

### Μην αφαιρείτε βίδες κλπ. μετά την τοποθέτηση της τηλεόρασης.

Σε διαφορετική περίπτωση, ενδέχεται να προκληθεί πτώση της τηλεόρασης με συνέπεια τραυματισμούς ή υλικές ζημιές.

### Μην τροποποιείτε τα εξαρτήματα της Επιτοίχιας Βάσης.

Σε διαφορετική περίπτωση, ενδέχεται να προκληθεί πτώση της Επιτοίχιας Βάσης με συνέπεια τραυματισμούς ή υλικές ζημιές.

## Μην τοποθετείτε συσκευές διαφορετικές από τις καθορισμένες.

Αυτή η Επιτοίχια βάση έχει σχεδιαστεί για χρήση μόνο με το καθορισμένο προϊόν. Εάν τοποθετήσετε συσκευή διαφορετική από αυτήν που καθορίζεται, ενδέχεται να προκληθεί πτώση ή θραύση της συσκευής με συνέπεια τραυματισμούς ή υλικές ζημιές.

### Μην τοποθετείτε στην Επιτοίχια βάση άλλα φορτία εκτός από την τηλεόραση. Μην κινείτε την τηλεόραση προς τα αριστερά/δεξιά ή προς τα πάνω/κάτω.

Σε διαφορετική περίπτωση, ενδέχεται να προκληθεί πτώση της τηλεόρασης με συνέπεια τραυματισμούς ή υλικές ζημιές.

### Μην στηρίζετε και μην κρέμεστε από την τηλεόραση.

Μην στηρίζετε και μην κρέμεστε από την τηλεόραση, καθώς ενδέχεται να προκληθεί πτώση της με συνέπεια σοβαρό τραυματισμό.

## ΠΡΟΣΟΧΗ

Εάν δεν ληφθούν οι ακόλουθες προφυλάξεις, ενδέχεται να προκληθούν τραυματισμοί ή υλικές ζημιές.

### Μην ασκείτε υπερβολική δύναμη στο προϊόν κατά τον καθαρισμό ή τις εργασίες συντήρησης.

Μην ασκείτε υπερβολική δύναμη στην επάνω πλευρά της τηλεόρασης. Σε διαφορετική περίπτωση, ενδέχεται να προκληθεί πτώση της τηλεόρασης με συνέπεια τραυματισμούς ή υλικές ζημιές.

## Προφυλάξεις

- Εάν η τηλεόραση παραμείνει συνδεδεμένη στην Επιτοίχια βάση για μεγάλο χρονικό διάστημα, η επιφάνεια του τοίχου πίσω ή επάνω από την τηλεόραση ενδέχεται να ξεθωριάσει ή η ταπεταρία ενδέχεται να ξεκολλήσει, ανάλογα με το υλικό κατασκευής του τοίχου.
- Εάν η Επιτοίχια βάση αφαιρεθεί αφού εγκατασταθεί στον τοίχο, θα παραμείνουν οι οπές των βιδών.
- Μην χρησιμοποιείτε την Επιτοίχια βάση σε σημεία που υπόκεινται σε μηχανικούς κραδασμούς.

## Εγκατάσταση της Επιτοίχιας Βάσης

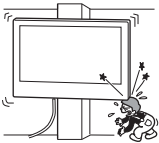
Προς τους  
αντιπροσώπους της  
Sony

### ΠΡΟΕΙΔΟΠΟΙΗΣΗ

Οι ακόλουθες οδηγίες αφορούν μόνον τους αντιπροσώπους της Sony. Διαβάστε τις προφυλάξεις ασφάλειας που περιγράφονται παραπάνω και τηρήστε τα μέτρα ασφάλειας κατά τη διάρκεια της εγκατάστασης, της συντήρησης και του ελέγχου αυτού του προϊόντος.

### Μην εγκαθιστάτε την Επιτοίχια βάση σε επιφάνειες τοίχου όπου οι γωνίες ή οι πλευρές της τηλεόρασης θα προεξέχουν από την επιφάνεια του τοίχου.

Μην εγκαθιστάτε την Επιτοίχια βάση σε επιφάνειες τοίχου, όπως κολόνες, όπου οι γωνίες ή οι πλευρές της τηλεόρασης θα προεξέχουν από την επιφάνεια του τοίχου. Εάν κάποιο άτομο ή κάποιο αντικείμενο προσκρούσει σε γωνία ή σε πλευρά της τηλεόρασης η οποία προεξέχει από την επιφάνεια του τοίχου, ενδέχεται να προκληθούν τραυματισμοί ή υλικές ζημιές.

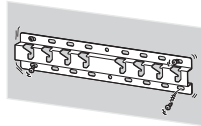


### Μην τοποθετείτε την τηλεόραση επάνω ή κάτω από συσκευές κλιματισμού.

Εάν η τηλεόραση παραμένει εκτεθειμένη σε διαρροή νερού ή ρεύμα αέρα από συσκευή κλιματισμού για μεγάλο χρονικό διάστημα, ενδέχεται να προκληθεί πυρκαγιά, ηλεκτροπληξία ή δυσλειτουργία της τηλεόρασης.

### Εγκαταστήστε την Επιτοίχια βάση σταθερά στον τοίχο, ακολουθώντας τις οδηγίες που παρέχονται στο παρόν εγχειρίδιο οδηγιών.

Σε περίπτωση μερικής ή πλήρους χαλάρωσης των βιδών, ενδέχεται να προκληθεί πτώση της Επιτοίχιας Βάσης με συνέπεια τραυματισμούς ή υλικές ζημιές. Χρησιμοποιήστε κατάλληλες βίδες ανάλογα με το υλικό κατασκευής του τοίχου και εγκαταστήστε τη μονάδα με ασφάλεια χρησιμοποιώντας τέσσερις ή περισσότερες βίδες διαμέτρου 8 mm (ή ισοδύναμες).



Χρησιμοποιήστε τις  
βίδες που παρέχονται  
στη συσκευασία,  
καθώς και τα  
συνδεδετικά εξαρτήματα  
σύμφωνα με τις  
οδηγίες που  
παρέχονται στο παρόν  
εγχειρίδιο. Εάν  
χρησιμοποιήσετε  
υποκατάστατα  
εξαρτήματα, ενδέχεται  
να προκληθεί πτώση  
της τηλεόρασης με  
συνέπεια  
τραυματισμούς ή  
υλικές ζημιές στην  
τηλεόραση.

### Συναρμολογήστε σωστά τα εξαρτήματα του στηρίγματος, ακολουθώντας τη διαδικασία που περιγράφεται στο παρόν εγχειρίδιο οδηγιών.

Σε περίπτωση μερικής ή πλήρους χαλάρωσης της σύσφιξης σε κάποια από τις βίδες, ενδέχεται να προκληθεί πτώση της τηλεόρασης με συνέπεια τραυματισμούς ή ζημιά στην τηλεόραση.

### Σφίξτε τις βίδες και βεβαιωθείτε ότι έχουν τοποθετηθεί στη σωστή θέση.

Σε αντίθετη περίπτωση, ενδέχεται να προκληθεί πτώση της τηλεόρασης με συνέπεια τραυματισμούς ή ζημιά στην τηλεόραση.

### Μην υποβάλλετε την τηλεόραση σε κραδασμούς κατά την τοποθέτηση της.

Σε διαφορετική περίπτωση, ενδέχεται να προκληθεί πτώση και θραύση της τηλεόρασης. Επίσης, υπάρχει πιθανότητα τραυματισμού.

### Τοποθετήστε την τηλεόραση σε τοίχο ο οποίος είναι κατακόρυφος προς το δάπεδο και επίπεδος.

Σε διαφορετική περίπτωση, ενδέχεται να προκληθεί πτώση της τηλεόρασης με συνέπεια τραυματισμούς.

### Αφού τοποθετήσετε σωστά την τηλεόραση, ασφαλίστε κατάλληλα τα καλώδια.

Εάν άτομα ή αντικείμενα μπερδευτούν στα καλώδια, ενδέχεται να προκληθούν τραυματισμοί ή ζημιά στην τηλεόραση.

### Αποφύγετε την άσκηση πιέσεων στο καλώδιο τροφοδοσίας ή στο καλώδιο σύνδεσης.

Εάν το καλώδιο τροφοδοσίας ή το καλώδιο σύνδεσης συμπιέζεται ανάμεσα στην συσκευή και στον τοίχο ή λυγίσει ή στρεβλωθεί λόγω άσκησης πίεσης, υπάρχει κίνδυνος έκθεσης των εσωτερικών αγωγών των καλωδίων με συνέπεια βραχυκύκλωμα ή διακοπή ηλεκτρικού ρεύματος. Αυτό ενδέχεται να προκαλέσει πυρκαγιά ή ηλεκτροπληξία.



### Οι βίδες που απαιτούνται για τη στερέωση της Επιτοίχιας Βάσης στον τοίχο δεν παρέχονται.

Κατά την τοποθέτηση της Επιτοίχιας βάσης, χρησιμοποιήστε βίδες οι οποίες είναι κατάλληλες για το υλικό κατασκευής και τη δομή του τοίχου.

## Τοποθέτηση της τηλεόρασης στον τοίχο

Η διαδικασία τοποθέτησης διαφέρει ανάλογα με την τηλεόρασή σας. Χρησιμοποιήστε την Επιτοίχια βάση SU-WL450, για να εγκαταστήσετε την τηλεόραση στον τοίχο.

### Σημείωση

- Αποθηκεύστε τις βίδες που αφαιρέσατε σε ένα ασφαλές μέρος και φυλάξτε τις μακριά από παιδιά.

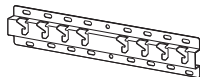













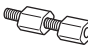



## Προετοιμασία για τοποθέτηση

- Έχετε πρόχειρο τον Οδηγό αναφοράς της τηλεόρασης πριν από την τοποθέτηση.
- Πριν από την τοποθέτηση φροντίστε να έχετε ένα κατασαβίδι Phillips που να ταιριάζει στις βίδες.
- Επαληθεύστε τη θέση τοποθέτησης της τηλεόρασης.
- Ετοιμάστε τέσσερις ή περισσότερες βίδες διαμέτρου 8 mm και μία βίδα διαμέτρου 5 mm ή ισοδύναμη (δεν παρέχονται). Επιλέξτε βίδες που είναι κατάλληλες για το υλικό κατασκευής του τοίχου.

## Έλεγχος των εξαρτημάτων

Παρέχονται με το μοντέλο SU-WL450

- Ελέγξτε ότι περιλαμβάνονται όλα τα εξαρτήματα.

Α Βάση (20) (1) 	Β Τροχαλία (2) 
Γ PSW 6x20 (4) 	Δ PSW 4x20 με δακτύλιο (2) 
Ε Διαχωριστικό (20) (2) 	Φ Ιμάντας (1) 
Γ Δακτύλιος (20) (M4) (2) 	Η PSW 4x20 (2) 
Ι Προσαρμογέας βάσης (2) 	Ή PSW 4x10 (8) 
Κ Διαχωριστικό (60) (2) 	Λ PSW 6x50 (2) 
Μ Δακτύλιος (M4) (2) 	Ν PSW 4x50 (2) 
Θ Εξάρτημα επιτοίχιας τοποθέτησης (S) (2) 	Π Διαχωριστικό (2) 
Q Ροδέλα (1) 	Ρ PSW 5x12 (1) 

Παρέχονται με την τηλεόραση (εξάρτημα προσαρτημένο στο πίσω μέρος)

Βάση καλωδίου (1)



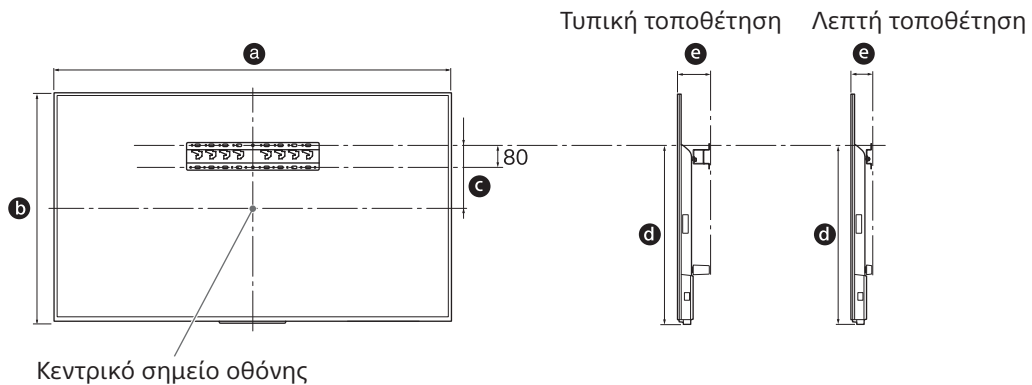
# Καθορισμός της θέσης τοποθέτησης

## 1 Καθορίστε τη θέση τοποθέτησης.

Βεβαιωθείτε ότι στον τοίχο υπάρχει αρκετός χώρος για την τηλεόραση και ότι ο τοίχος μπορεί να στηρίξει βάρος τουλάχιστον τέσσερις φορές μεγαλύτερο από αυτό της τηλεόρασης.

Συμβουλευτείτε τον παρακάτω πίνακα για την εγκατάσταση της τηλεόρασης στον τοίχο.

Ανατρέξτε στον Οδηγό αναφοράς της τηλεόρασής σας για πληροφορίες σχετικά με το βάρος της.



Μονάδα: mm

Όνομα μοντέλου KD-	Διαστάσεις Οθόνης		Διάσταση κέντρου οθόνης	Μήκος για την τοποθέτηση		
	a	b	c	d	e	
					Τυπική τοποθέτηση	Λεπτή τοποθέτηση
55XD80□□	1.231	717	129	494	102	60
49XD83□□ 49XD80□□	1.093	639	181	508	102	60
43XD83□□	960	564	209	498	108	66
43XD80□□	960	564	209	498	107	65

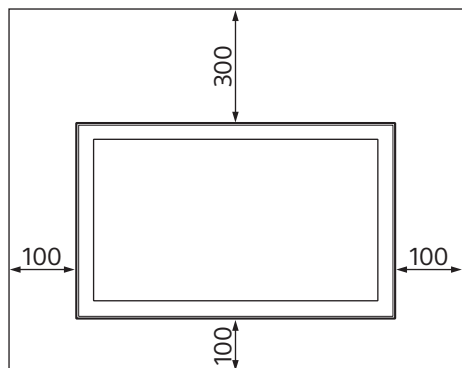
### Σημείωση

- Οι τιμές του πίνακα ενδέχεται να διαφέρουν ελαφρώς ανάλογα με την εγκατάσταση.



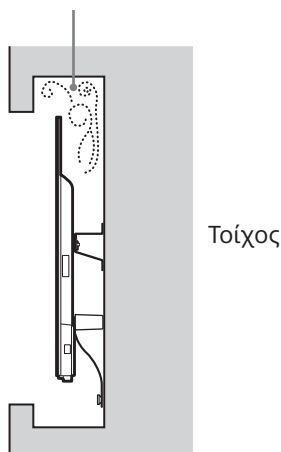
Φροντίστε ώστε να υπάρχει επαρκής απόσταση μεταξύ της τηλεόρασης και της οροφής και των τμημάτων του τοίχου που προεξέχουν, όπως φαίνεται στο παρακάτω διάγραμμα.

Μονάδα: mm



- Για να εξασφαλίσετε τον κατάλληλο εξαερισμό και για να αποφευχθεί η συσσώρευση ακαθαρσιών ή σκόνης:
  - Μην τοποθετείτε την τηλεόραση σε οριζόντια θέση, μην την εγκαθιστάτε αναποδογυρισμένη ή στο πλάι.
  - Μην τοποθετείτε την τηλεόραση πάνω σε ράφια, χαλιά, κρεβάτια ή μέσα σε ντουλάπες.
  - Μην καλύπτετε την τηλεόραση με υφάσματα όπως κουρτίνες ή αντικείμενα όπως εφημερίδες κλπ.
  - Μην εγκαθιστάτε την τηλεόραση όπως φαίνεται παρακάτω.

Εμποδίζεται η κυκλοφορία του αέρα.



### Σημείωση

- Εάν θέλετε να περάσετε τα καλώδια μέσα από τον τοίχο, ανοίξτε μια οπή στον τοίχο για να περάσετε τα καλώδια πριν ξεκινήσετε την τοποθέτηση. Για να αποφύγετε την άσκηση πιέσεων στα καλώδια, προετοιμάστε μια οπή στον τοίχο σε σημείο εκτός της περιμέτρου της Βάσης (20) (A), Προσαρμογέας βάσης (I) και του Διαχωριστικού (20) (E), του Διαχωριστικού (60) (K).

2 Επιλέξτε τη μέθοδο επιτοίχιας τοποθέτησης. Μπορείτε να επιλέξετε την απόσταση μεταξύ της πίσω πλευράς της τηλεόρασης και του τοίχου σύμφωνα με τα παρακάτω στοιχεία.

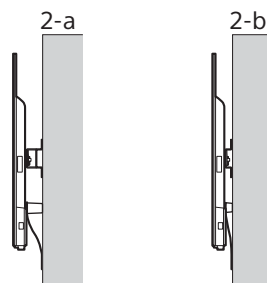
**2-a** Τυπική

**2-b** Λεπτή

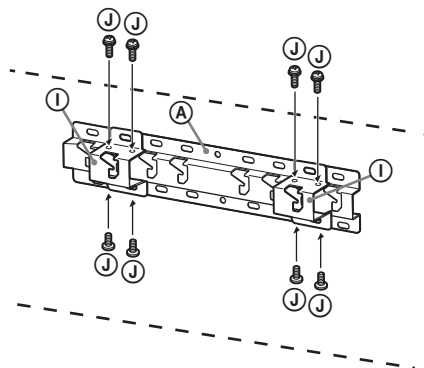
Ανατρέξτε στον πίνακα του βήματος 1.

### ΠΡΟΕΙΔΟΠΟΙΗΣΗ

- Αν επιλέξετε τη μέθοδο 2-b, θα περιοριστεί η πρόσβαση στους πίσω ακροδέκτες.

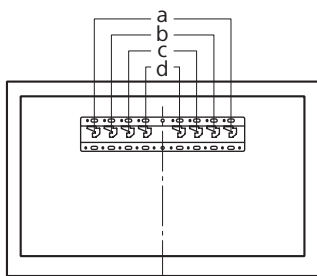


Αν επιλέξετε τη μέθοδο 2-a, τοποθετήστε τον Προσαρμογέα βάσης (I) στη Βάση (20) (A) χρησιμοποιώντας τη Βίδα (PSW 4x10) (J).



- 3** Ανατρέξτε στον παρακάτω πίνακα για πληροφορίες σχετικά με τη θέση τοποθέτησης του Προσαρμογέα βάσης. Αν επιλέξετε τη μέθοδο 2-b, παραλείψτε αυτό το βήμα.

Όνομα μοντέλου KD-	θέση άγκιστρου
55XD80□□	c
49XD83□□	
49XD80□□	
43XD83□□	d
43XD80□□	



- 4** Καθορίστε τις θέσεις των βιδών για την εγκατάσταση της Βάσης (20) (A).

Συμβουλευτείτε τα τεχνικά χαρακτηριστικά στη σελίδα 12.

**Αν επιλέξετε τη μέθοδο 2-a, χρησιμοποιήστε τις θέσεις για τις οπές του Προσαρμογέα βάσης (I).**

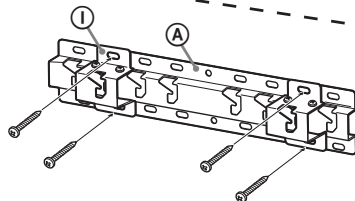
#### ΠΡΟΕΙΔΟΠΟΙΗΣΗ

- Ο τοίχος στον οποίο θα αναρτηθεί η τηλεόραση θα πρέπει να αντέχει σε βάρος τουλάχιστον **τέσσερις φορές** το βάρος της τηλεόρασης (Ανατρέξτε στον Οδηγό αναφοράς της τηλεόρασής σας σχετικά με το βάρος της.).
- Βεβαιωθείτε για την αντοχή του τοίχου όπου θα τοποθετηθεί η τηλεόραση. Εάν είναι απαραίτητο, ενισχύστε κατάλληλα τον τοίχο.

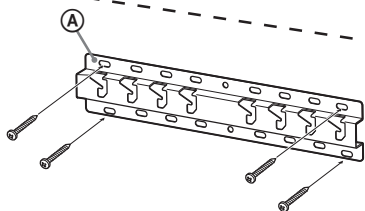
## Εγκατάσταση της Βάσης στον τοίχο

- Χρησιμοποιήστε τέσσερις ή περισσότερες βίδες διαμέτρου 8 mm ή ισοδύναμες (δεν παρέχονται).
- Τοποθετήστε τις τέσσερις βίδες στις οπές του Προσαρμογέα βάσης (I) για να τον συνδέσετε με τη Βάση (20) (A) (μόνο 2-a).
- Εγκαταστήστε τη Βάση (20) (A) στον τοίχο οριζόντια.

2-a

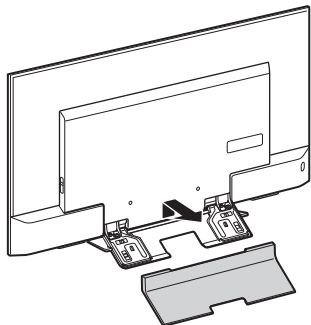


2-b



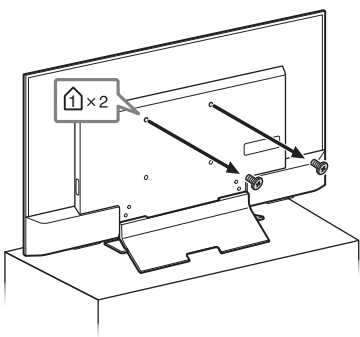
## Προετοιμασία για την τοποθέτηση της τηλεόρασης

- 1** Αφαιρέστε το κάλυμμα της βάσης.  
(μόνο για το μοντέλο KD-55XD80□□)

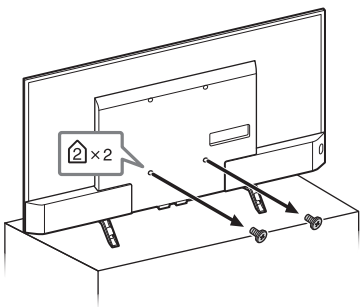


- 2** Αφαιρέστε τις βίδες από το πίσω μέρος της τηλεόρασης.

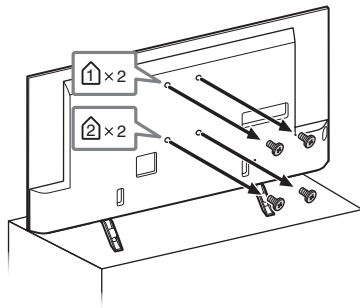
**KD-55XD80□□**



**KD-49XD83□□/49XD80□□**



**KD-43XD83□□/43XD80□□**

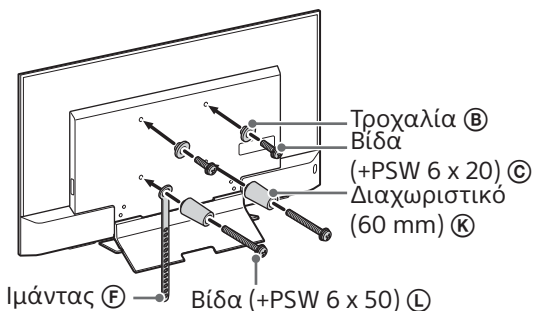


- 3** Ελέγξτε τα εξαρτήματα προσάρτησης, ανατρέχοντας στην παράγραφο "Παρέχονται με το μοντέλο SU-WL450" της ενότητας "Έλεγχος των εξαρτημάτων" στη σελίδα 5.

### Σημείωση

- Στερεώστε σταθερά τα εξαρτήματα προσάρτησης με βίδες.
- Εάν χρησιμοποιήσετε ηλεκτρικό κατασαβίδι, ρυθμίστε τη ροπή στρέψης περίπου στην τιμή 1,5 N·m (15 kgf·cm).
- Φροντίστε να αποθηκεύσετε τα μη χρησιμοποιημένα εξαρτήματα σε ένα ασφαλές μέρος για μελλοντική χρήση. Φυλάξτε το παρόν εγχειρίδιο για μελλοντική χρήση.

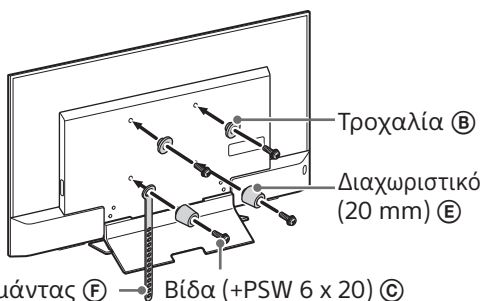
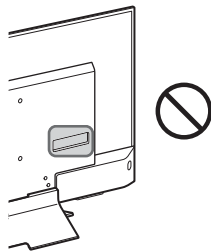
### Τυπική τοποθέτηση (2-a)



## Λεπτή τοποθέτηση (2-b)

### Σημείωση

- Δεν μπορείτε να χρησιμοποιήσετε ορισμένους από τους ακροδέκτες που βρίσκονται στην πίσω πλευρά της τηλεόρασης, όταν χρησιμοποιείτε αυτό το στυλ τοποθέτησης.

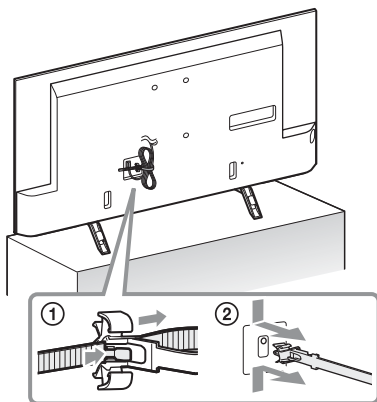


## 4 Συνδέστε τα απαραίτητα καλώδια στην τηλεόραση.

Συνδέστε οπωσδήποτε τα καλώδια πριν από την τοποθέτηση της τηλεόρασης στον τοίχο. Δεν θα μπορείτε να συνδέσετε τα καλώδια ενώ έχει τοποθετηθεί η τηλεόραση.

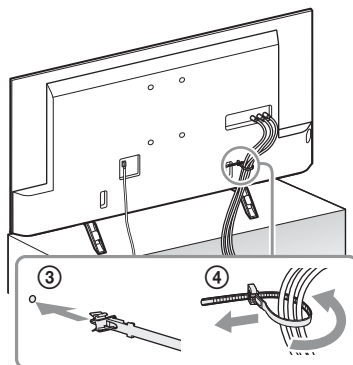
Ανατρέξτε στον Οδηγό αναφοράς που παρέχεται με την τηλεόραση.

## 5 Αφαιρέστε τη βάση καλωδίου (παρέχεται με την τηλεόραση). (μόνο για το μοντέλο KD-43XD83□□/43XD80□□)



## 6 Τακτοποιήστε τα καλώδια.

Για τα μοντέλα KD-43XD83□□/43XD80□□, τοποθετήστε τη βάση καλωδίου σε μία από τις εσωτερικές οπές.

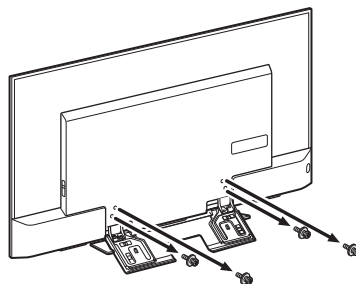


### Σημείωση

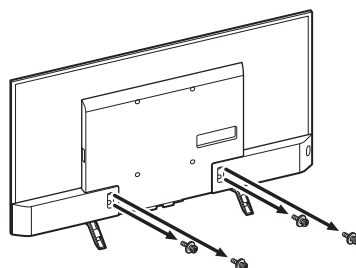
- Αναθέστε το πέρασμα των καλωδίων μέσα από τον τοίχο σε κάποιον εξουσιοδοτημένο τεχνικό.
- Δέστε τα καλώδια σύνδεσης για να αποφύγετε να τα πατήσετε πριν από την τοποθέτηση στον τοίχο.

## 7 Αφαιρέστε τη Βάση επιτραπέζιας τοποθέτησης από την τηλεόραση.

μόνο για το μοντέλο KD-55XD80□□



Εκτός των KD-55XD80□□

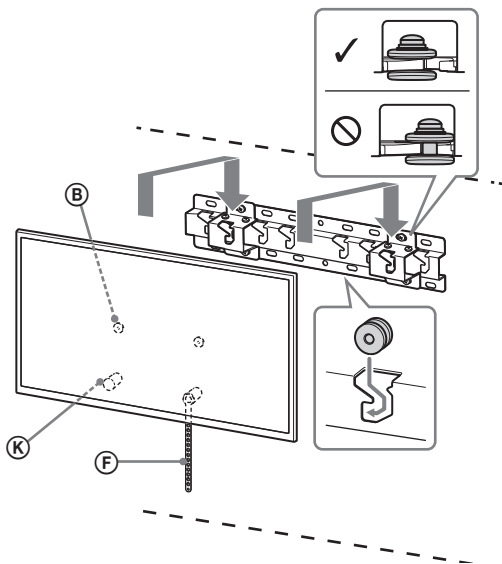


# Τοποθέτηση της τηλεόρασης στον τοίχο

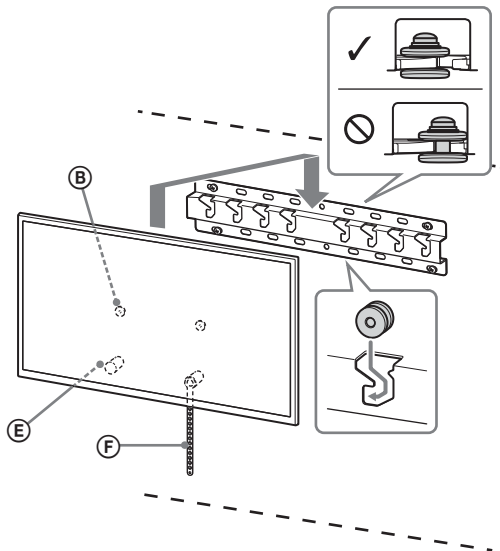
## 1 Τοποθετήστε την τηλεόραση πάνω στη Βάση.

- Για τη θέση ανάρτησης των Τροχαλιών **(B)** στη Βάση, συμβουλευτείτε τον πίνακα του βήματος 3 στην ενότητα "Καθορισμός της θέσης τοποθέτησης" στη σελίδα 8.
- Κρατήστε την τηλεόραση σταθερά και με τα δύο χέρια και αναρτήστε τις Τροχαλίες **(B)** που έχετε συνδέσει στο πίσω μέρος της τηλεόρασης στη Βάση, ελέγχοντας το σχήμα των σπών.
- Αφού τοποθετήσετε την τηλεόραση στον τοίχο, βεβαιωθείτε ότι οι Τροχαλίες **(B)** έχουν ασφαλίσει καλά στη Βάση ή στον Προσαρμογέα βάσης.

2-a



2-b

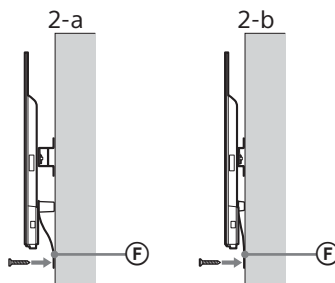


### ΠΡΟΕΙΔΟΠΟΙΗΣΗ

- Βεβαιωθείτε ότι η μεταφορά της τηλεόρασης πραγματοποιείται από δύο ή περισσότερα άτομα.

## 2 Αποτρέψτε την μετατόπιση του κάτω μέρους της τηλεόρασης.

- Τεντώστε τον μάντα **(F)** και συνδέστε τον στον τοίχο σταθερά.



- Χρησιμοποιήστε μια βίδα διαμέτρου 5 mm ή ισοδύναμη (δεν παρέχεται).

### Σημείωση

- Δοκιμάστε να τραβήξετε το κάτω μέρος της τηλεόρασης ελαφρά προς το μέρος σας, για να βεβαιωθείτε ότι δεν μετακινείται προς τα εμπρός. Αν παρατηρήσετε ότι κινείται, τότε δεν έχει στερεωθεί σωστά και πρέπει να συνδέσετε ξανά τον μάντα **(F)** σταθερά.

GR

## Επαλήθευση της ολοκλήρωσης των εργασιών τοποθέτησης

Ελέγξτε τα παρακάτω σημεία.

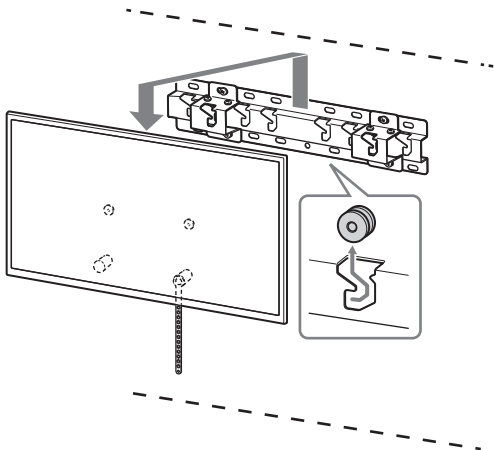
- Οι Τροχαλίες **(B)** έχουν αναρτηθεί σταθερά στη Βάση ή στον Προσαρμογέα βάσης.
- Το σχοινί και το καλώδιο δεν έχουν στρεβλωθεί ή συμπιεστεί.
- Ο Ιμάντας **(F)** είναι σφιχτός και δεν έχει λασκάρει.

### ΠΡΟΕΙΔΟΠΟΙΗΣΗ

- Η λανθασμένη τοποθέτηση του καλωδίου τροφοδοσίας κλπ. μπορεί να προκαλέσει πυρκαγιά ή ηλεκτροπληξία λόγω βραχυκυκλώματος. Για λόγους ασφάλειας, βεβαιωθείτε ότι έχουν ολοκληρωθεί οι εργασίες τοποθέτησης.

## Άλλες πληροφορίες

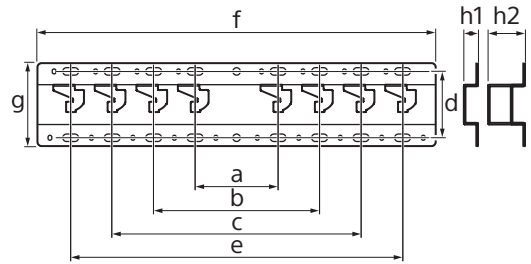
Κατά την αφαίρεση της τηλεόρασης, ακολουθήστε τα βήματα της διαδικασίας τοποθέτησης με την αντίστροφη σειρά.



### ΠΡΟΕΙΔΟΠΟΙΗΣΗ

- Βεβαιωθείτε ότι η αφαίρεση της τηλεόρασης πραγματοποιείται από δύο ή περισσότερα άτομα.

## Τεχνικά χαρακτηριστικά



### Διαστάσεις: (Περίπου) [mm]

- a : 100
- b : 200
- c : 300
- d : 80
- e : 400
- f : 480
- g : 100

h1 : 20 (περίπτωση 2-b)

h2 : 60 (περίπτωση 2-a)

### Βάρος (μόνο για τη βάση): (Περίπου) [kg]

0,8

Ο σχεδιασμός και τα τεχνικά χαρακτηριστικά υπόκεινται σε αλλαγή χωρίς προειδοποίηση.

# Sony Duvar Askı Aparatını Kullanma Hakkında Montaj Bilgileri (SU-WL450)

## Desteklenen modeller:

**KD-55XD80□□\*/49XD83□□\*/49XD80□□\*/43XD83□□\*/  
43XD80□□\***

\* Gerçek model adlarında "□□", bir modele özgü numara ve/veya karakterleri ifade eder.

## Müşterilere

Ürünü koruma ve güvenlik nedenleriyle, Sony TV'nizin montajının Sony satıcıları veya lisanslı yükleniciler tarafından gerçekleştirilmesini önemle önerir. Kendiniz kurmaya çalışmayın.

## Sony Satıcıları ve Yüklenicilerine

Montaj, periyodik bakım ve bu ürünün incelenmesi sırasında güvenliğe son derece dikkat edin.

Özellikle duvarın TV'nin ağırlığına dayanacak kadar güçlü olup olmadığını belirlemek için bu ürünün montajı için yeterli derece uzmanlık gerekir. Bu ürünün duvara takılması konusunda Sony satıcılarına veya lisanslı yüklenicilere güvenin ve montaj sırasında güvenliğe yeterince dikkat edin. Sony, montajın yanlış yöntemle veya uygunsuz şekilde yapılmasından kaynaklanan hasar veya yaralanmalardan sorumlu değildir.

Güvenli ve doğru montaj için, Duvar Askı Aparatı Kullanım Kılavuzu, TV Başlangıç Kılavuzu ve bu kılavuzdaki yönergeleri izleyin.

## Güvenlik

Bu ürünü satın aldığınız için teşekkür ederiz.

### Müşterilerimize

Bu ürünü monte etmek için yeterli derecede uzmanlık gereklidir. Montajı mutlaka Sony Bayilerine veya lisanslı yüklenicilerine yaptırın ve montaj sırasında güvenliğe özellikle dikkat edin. Sony, montajın yanlış yöntemle veya uygunsuz şekilde yapılmasından veya belirtilen ürünün dışında bir ürünün montajından kaynaklanan hasar veya yaralanmalardan sorumlu değildir. Yasal Haklarınız (varsa) etkilenmez.

### Sony Bayilerine

Bu ürünü monte etmek için yeterli derecede uzmanlık gereklidir. Montaj işinin güvenli bir şekilde yapılması için mutlaka bu kullanım kılavuzunun tamamını okuyun. Sony, montajın yanlış yöntemle veya uygunsuz şekilde yapılmasından kaynaklanan hasarlardan veya yaralanmalardan sorumlu değildir. Montajdan sonra lütfen bu kılavuzu müşteriye verin.

Bu kullanım kılavuzunda ürünün doğru kullanımı ve kazaları önlemek için alınması gereken önemli tedbirler açıklanmaktadır. Bu kılavuzun tamamını okuduğunuzdan ve ürünü doğru şekilde kullandığınızdan emin olun. Bu kılavuzu ileride başvurmak için saklayın.

Sony ürünleri güvenliğe önem verilerek tasarlanmıştır. Ürünlerin yanlış kullanılması yangın, elektrik çarpması, ürünün devrilmesi veya ürünün düşmesi sonucunda ciddi yaralanmaya neden olabilir. Bu gibi kazalar önlemek için güvenlik tedbirlerini mutlaka uyun.

Üretici Firma:

**Sony Corporation**

1-7-1 Konan, Minato-ku, Tokyo  
108-0075 Japan

Türkiye İrtibat Numaraları:  
Tel: 0216-633 98 00  
Faks: 0216-632 70 30  
email: bilgi@eu.sony.com

İTHALATÇI FİRMA

# SONY®

SONY EURASIA PAZARLAMA AŞ.

Onur Ofis Park Plaza İnkılap Mah. Üntel Sok.  
No: 10 Ümraniye 34768/İstanbul  
Sony Bilgi ve Danışma Hattı: (212) 444 SONY  
(7669)

## DİKKAT

### Belirtilen ürünler

Bu Duvar Askı Aparatı belirtilen televizyonlarla kullanılacak şekilde tasarlanmıştır. Televizyonlar için, Duvar Askı Aparatının kullanılabilirliğini doğrulamak için televizyonların Başvuru Kılavuzuna bakın.

### Müşterilerimize

#### UYARI

Aşağıdaki tedbirler alınmaması, yangın, elektrik çarpması veya ürünün düşmesi sonucunda ciddi yaralanmaya veya ölüme neden olabilir.

### Montajı mutlaka lisanslı yüklenicilere yaptırın ve montaj sırasında küçük çocukları uzak tutun.

Duvar Askı Aparatı veya televizyon doğru monte edilmezse, aşağıdaki kazalar meydana gelebilir. Montajı mutlaka lisanslı yüklenicilere yaptırın.

- Televizyon düşebilir ve sıyrık veya kırık gibi ciddi bir yaralanmaya neden olabilir.
- Duvar Askı Aparatının monte edileceği duvar sabit değil, pürüzlü veya zemine dik değilse, ünite düşebilir ve yaralanmaya veya malın hasar görmesine neden olabilir. Duvar, televizyonun ağırlığını en az dört katını destekleyebilmelidir. (Televizyonun ağırlığı için Başvuru Kılavuzuna bakın.)
- Duvar Askı Aparatının duvara montajının yeterli derecede sağlam yapılması, ünitenin düşmesine ve ciddi yaralanmaya veya malın hasar görmesine neden olabilir.

### Televizyonun montajını veya demontajını mutlaka lisanslı yüklenicilere yaptırın.

Televizyonu lisanslı yüklenicilerin dışındaki kişiler taşırsa veya demonte ederse, televizyon düşebilir ve ciddi yaralanmaya veya malın hasar görmesine neden olabilir. Televizyonu mutlaka iki veya daha fazla kişi taşımali veya demonte etmelidir.

### Televizyonu monte ettikten sonra vidaları, vb. çıkarmayın.

Çıkarırsanız, televizyon düşebilir ve ciddi yaralanmaya veya malın hasar görmesine neden olabilir.

### Duvar Askı Aparatının parçalarında değişiklik yapmayın.

Değişiklik yaparsanız, Duvar Askı Aparatı düşebilir ve ciddi yaralanmaya veya malın hasar görmesine neden olabilir.

### Belirtilen ürün dışındaki ekipmanları sökmeyin.

Bu Duvar Askı Aparatı yalnızca belirtilen ürünü kullanılmak üzere tasarlanmıştır. Belirtilen ürünün dışında ekipman monte ederseniz, düşebilir veya kırılabilir ve ciddi yaralanmaya veya malın hasar görmesine neden olabilir.

### Duvar Askı Aparatına televizyon dışında bir yük yüklemeyin. Televizyonu sola/sağa, yukarı/aşağı sallamayın.

Çıkarırsanız, televizyon düşebilir ve ciddi yaralanmaya veya malın hasar görmesine neden olabilir.

### Televizyona dayanmayın veya asılmayın.

Televizyon üzerinize düşebileceğinden ve ciddi yaralanmaya neden olabileceğinden televizyona dayanmayın veya asılmayın.

## DİKKAT

Aşağıdaki tedbirler alınmazsa, ciddi yaralanma veya malda hasar ortaya çıkabilir.

### Temizleme veya bakım sırasında ürüne aşırı güç uygulamayın.

Televizyonun üst kenarına aşırı güç uygulamayın. Çıkarırsanız, televizyon düşebilir ve ciddi yaralanmaya veya malın hasar görmesine neden olabilir.

## Tedbirler

- Televizyonu Duvar Askı Aparatı takılı olarak uzun süre kullanırsanız, duvarın yapıldığı malzemeye bağlı olarak arkadaki duvarda veya televizyonun üstünde renk değişimi olabilir veya duvar kağıdı yerinden çıkabilir.
- Duvar Askı Aparatı duvara monte edildikten sonra çıkarılırsa, vida delikleri kalır.
- Duvar Askı Aparatını mekanik titreşimlere maruz kalan bir yerde kullanmayın.

### Duvar Askı Aparatını Monte Etme

#### Sony Bayilerine

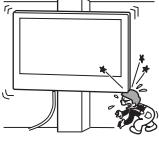
#### UYARI

Aşağıdaki talimatlar yalnızca Sony bayileri içindir. Bu ürünün montajı, bakımı ve kontrolü sırasında, yukarıda belirtilen güvenlik tedbirlerini okuduğunuzdan ve güvenliğe özellikle önem verdiğinizden emin olun.



## Duvar Askı Aparatını televizyonun köşelerinin veya kenarlarının duvar yüzeyinden çıkıntı yaptığı duvar yüzeylerine monte etmeyin.

Duvar Askı Aparatını televizyonun köşelerinin veya kenarlarının duvar yüzeyinden çıkıntı yaptığı, kolon gibi duvar yüzeylerine monte etmeyin. Bir kişi veya nesne televizyonun çıkıntı yapan köşesine veya kenarına çarparsa, yaralanma veya mal hasarı ortaya çıkabilir.

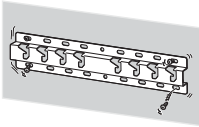


## Televizyonu klimanın üzerine veya altına monte etmeyin.

Televizyon klimadan gelen su sızıntısı veya hava akımına uzun süre maruz kalırsa, yangın, elektrik çarpması veya televizyonda arıza meydana gelebilir.

## Duvar askı aparatını duvara bu kullanım kılavuzundaki talimatlara göre sağlam bir şekilde monte ettiğinizden emin olun.

Vidalardan biri gevşerse veya çıkarsa, Duvar Askı Aparatı düşebilir ve ciddi yaralanmaya veya mal hasarına neden olabilir. Duvarın malzemesi için uygun vidaları kullandığınızdan ve üniteyi 8 mm (veya eşdeğeri) çapında dört veya daha fazla vida kullanarak sağlam bir şekilde monte ettiğinizden emin olun.



**Birlikte verilen vidaları ve ek parçaları bu kullanım kılavuzundaki talimatlara göre doğru bir şekilde kullandığınızdan emin olun. Başka parçalar kullanırsanız, televizyon düşebilir ve bedensel yaralanmaya veya televizyonun hasar görmesine neden olabilir.**

## Aparatı bu kullanım kılavuzunda açıklanan prosedüre göre doğru bir şekilde monte ettiğinizden emin olun.

Vidalardan biri gevşer veya çıkarsa, televizyon düşebilir ve bedensel yaralanmaya veya televizyonun hasar görmesine neden olabilir.

## Vidaları gösterilen konumda iyice sıkıştırdığınızdan emin olun.

Bu yapılmazsa, televizyon düşebilir ve bedensel yaralanmaya veya televizyonun hasar görmesine neden olabilir.

## Montaj sırasında televizyonu darbeye maruz bırakmamaya dikkat edin.

Televizyon darbeye maruz bırakılırsa, düşebilir veya parçalarına ayrılabilir. Bu, yaralanmaya neden olabilir.

## Televizyonu dik ve düz bir duvara monte ettiğinizden emin olun.

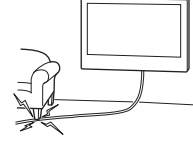
Bu yapılmazsa, televizyon düşebilir ve yaralanmaya neden olabilir.

## Televizyon doğru şekilde monte edildikten sonra, kabloları doğru şekilde sabitleyin.

Kişiler veya nesnelere kablolar takılırsa, yaralanma veya televizyonda hasar ortaya çıkabilir.

## AC güç kablosunun veya bağlantı kablosunun sıkışmasına izin vermeyin.

AC güç kablosu veya bağlantı kablosu ünite ile duvar arasına sıkıştırsa veya güç uygulanarak bükülür veya kıvrılırsa, iç iletkenler ortaya çıkabilir ve bu durum, kısa devreye veya elektrik kesilmesine neden olabilir. Bu durum, yangına veya elektrik çarpmasına neden olabilir.



## Duvar Askı Aparatını duvara sabitlemek için gereken vidalar ürünle birlikte verilmez.

Duvar Askı Aparatını monte ederken duvar malzemesi ve yapısı için uygun vidaları kullanın.

## Televizyonu duvara monte etme

Montaj prosedürü televizyonunuza bağlı olarak farklılık gösterir. TV'yi duvara monte etmek için Duvar Askı Aparatı'nı SU-WL450 kullanın.

### Not

- Çıkarılan vidaları çocuklardan uzak tutarak güvenli bir yerde depoladığınızdan emin olun.

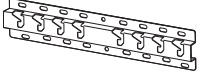

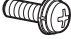











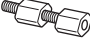



## Montaj için hazırlanma

- Montajdan önce televizyonun Başvuru Kılavuzunu yanınızda bulundurun.
- Montajdan önce vidalara uygun yıldız tornavida bulundurmayı unutmayın.
- Televizyonunuzun montaj konumunu onaylayın.
- 8 mm çapında dört veya daha fazla vida ve 5 mm çapında veya eşdeğer bir vida hazırlayın (birlikte verilmez). Duvarın malzemesine uygun vidalar seçin.


## Parçaları kontrol etme

### SU-WL450 ile birlikte verilir

- Tüm parçaların bulunduğundan emin olun.

Ⓐ Taban (20) (1) 	Ⓑ Makara (2) 
Ⓒ PSW 6x20 (4) 	Ⓓ PSW 4x20, burç ile (2) 
Ⓔ Ara Parçası (20) (2) 	Ⓕ Kayış (1) 
Ⓖ Rakor (20) (M4) (2) 	Ⓗ PSW 4x20 (2) 
Ⓘ Taban Adaptörü (2) 	Ⓙ PSW 4x10 (8) 
Ⓚ Ara Parçası (60) (2) 	Ⓛ PSW 6x50 (2) 
Ⓜ Rakor (M4) (2) 	Ⓝ PSW 4x50 (2) 
Ⓞ Duvara Montaj Parçası (S) (2) 	Ⓟ Ara Parçası (2) 
Ⓠ Rondela (1) 	Ⓡ PSW 5x12 (1) 

### Televizyonla birlikte verilir (arkaya takılı)

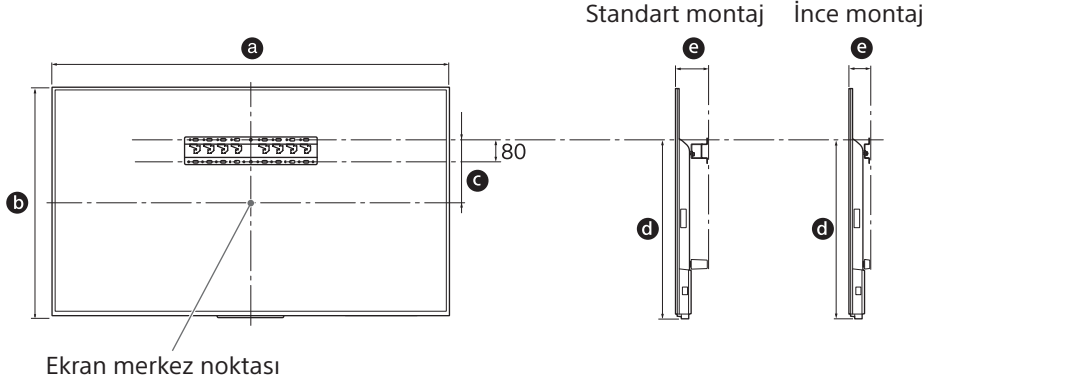
Kablo tutucu (1) 
---

# Montaj konumuna karar verme

## 1 Montaj konumuna karar verin.

Duvarda TV için yeterince alan olduğundan ve duvarın TV'nin ağırlığının en az dört katı ağırlık taşıyabileceğinden emin olun.

TV'yi duvara monte etmek hakkında aşağıdaki tabloya bakın. TV'nin ağırlığı için TV'nizin Başvuru Kılavuzuna bakın.



Birim: mm

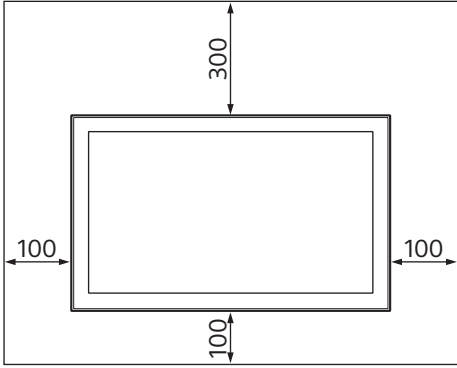
Model adı KD-	Görüntü boyutları		Ekran merkezi boyutu	Montaj uzunluğu		
	a	b	c	d	e	e
					Standart montaj	İnce montaj
55XD80□□	1.231	717	129	494	102	60
49XD83□□ 49XD80□□	1.093	639	181	508	102	60
43XD83□□	960	564	209	498	108	66
43XD80□□	960	564	209	498	107	65

### Not

- Tablodaki şekiller montaja bağlı olarak biraz değişebilir.

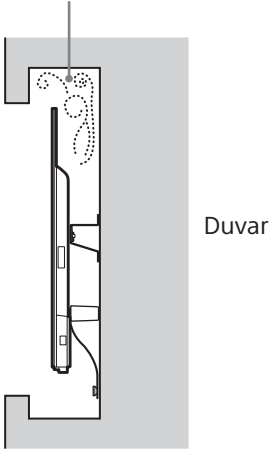
Televizyon ile tavan ve duvar çıkıntıları arasında aşağıda gösterildiği gibi uygun mesafe bırakın.

Birim: mm



- Uygun havalandırmayı sağlamak ve toz veya kirin birikmesini önlemek için:
  - TV setini düz yatırmayın, ters, geriye doğru veya yan monte etmeyin.
  - TV setini raf, kilim, yatak üzerinde veya kabin içine yerleştirmeyin.
  - TV setini perde gibi bir bezle veya gazete kağıdı vb. ile kapatmayın.
  - TV setini aşağıda gösterilen şekilde monte etmeyin.

Hava sirkülasyonu engelleniyor.



### Not

- Kabloları duvarda yönlendirmek istiyorsanız, montaja başlamadan önce kabloları yerleştirmek için duvarda bir delik açın. Kabloların sıkışmasını önlemek için, Tabanın (20) (A), Taban Adaptörü (I) ve Ara Parçasının (20) (E), Ara Parçasının (60) (K) çevre uzunluğu dışında bir yerde duvarda delik açın.

2 Duvara montaj tipi seçin. Televizyonun arkasına olan mesafe aşağıda gösterildiği gibi seçilebilir.

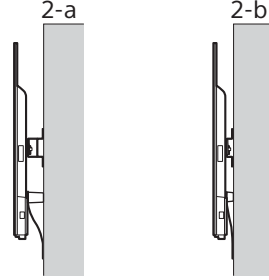
2-a Standart montaj elemanı

2-b İnce montaj elemanı

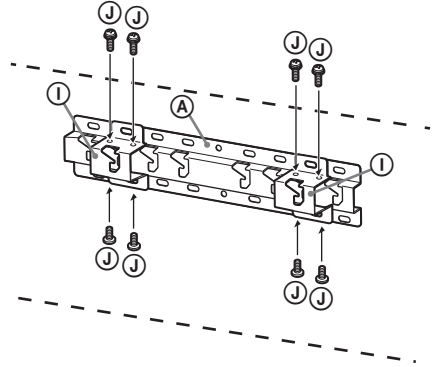
Adım 1'deki tabloya bakın.

### UYARI

- 2-b seçildiğinde, Arka terminale erişim sınırlıdır.

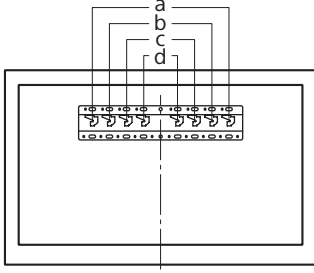


2-a seçildiğinde, (I) vidayı (PSW 4x10) (J) kullanarak taban adaptörünü taban (20) (A)'ya takın.



### 3 Taban Adaptörü montaj konumu hakkındaki aşağıdaki tabloya bakın. 2-b seçildiğinde bu adımı atlayın.

Model adı KD-	Kanca konumu
55XD80□□	c
49XD83□□	
49XD80□□	
43XD83□□	d
43XD80□□	



### 4 Tabanı (20) (A) kurmak için vidaların konumuna karar verin. Sayfa 12'teki teknik özelliklere bakın. 2-a seçildiğinde Taban Adaptörünün (I) delik pozisyonlarını kullanın.

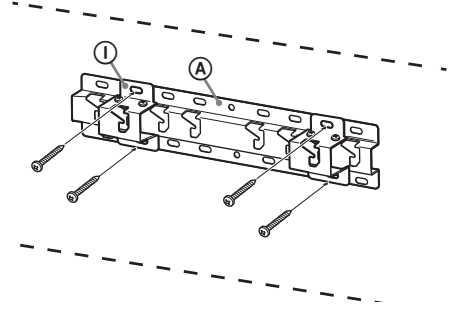
#### UYARI

- Televizyonun monte edildiği duvar, televizyonun en az **dört katı** ağırlığı destekleyebilmelidir (Televizyonun ağırlığı için Başvuru Kılavuzuna bakın.).
- Televizyonun monte edileceği duvarın sağlamlığını belirleyin. Gerekirse duvarı yeterli derecede güçlendirin.

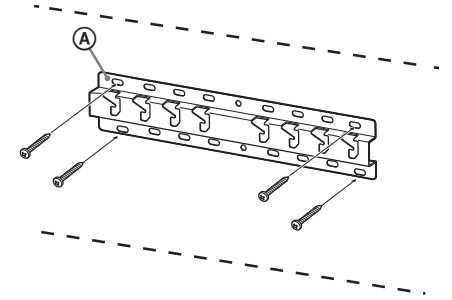
### Tabanı duvara monte etme

- 8 mm çapında veya eşdeğer dört veya daha fazla vida kullanın (birlikte verilmez).
- **Dört vidayı taban (20) (A) ile Taban Adaptörünün (I) deliklerine takın (yalnızca 2-a).**
- Tabanı (20) (A) duvara yatay olarak monte edin.

2-a

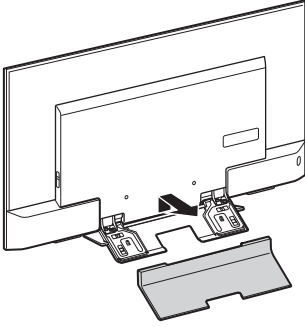


2-b



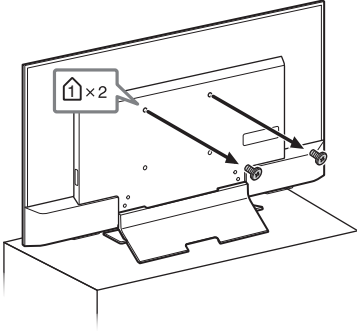
## Televizyonun montajı için hazırlanma

- 1 Stand kapağını çıkarın.  
(Sadece KD-55XD80□□)

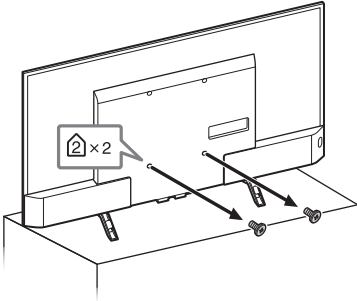


- 2 TV'nin arkasındaki vidaları çıkarın.

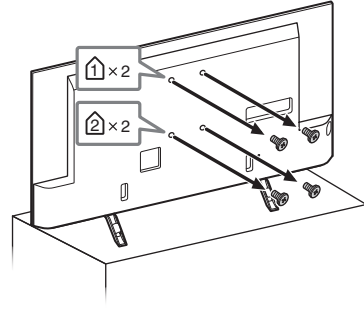
KD-55XD80□□



KD-49XD83□□/49XD80□□



KD-43XD83□□/43XD80□□

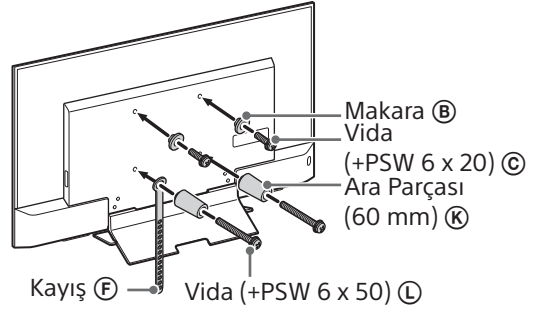


- 3 Duvar Askı Aparatı için olan ek parçaları takın. Sayfa 5'te "Parçaları kontrol etme" bölümünde "SU-WL450 ile birlikte verilir" başlığına bakarak ek parçaları kontrol edin.

### Not

- Ek parçaları vidaları kullanarak sıkı bir şekilde sabitleyin.
- Elektrikli tornavida kullanırken, torku yaklaşık 1,5 N·m {15 kgf·cm} olarak ayarlayın.
- Kullanılmayan parçaları daha sonra kullanmak için güvenli bir yerde depolayın. Bu kılavuzu daha sonra başvurmak için saklayın.

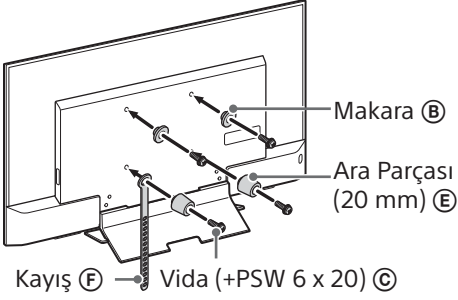
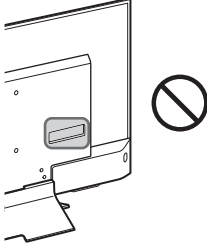
### Standart montaj (2-a)



## İnce montaj (2-b)

### Not

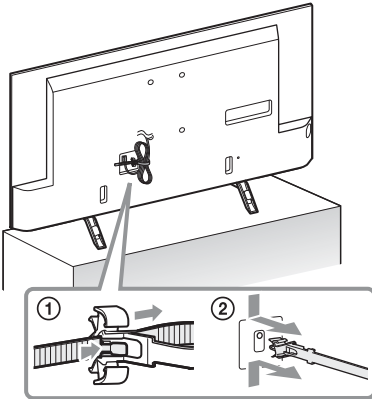
- Bu montaj stilini kullanırken TV'nin arkasındaki terminallerden bazılarını kullanamazsınız.



## 4 Gerekli kabloyu(kabloları) televizyona bağlayın.

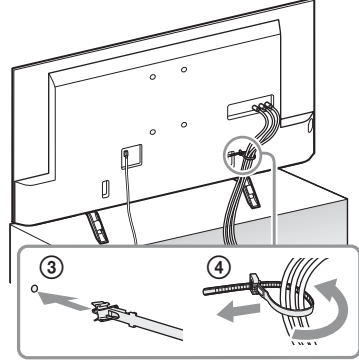
Televizyonu duvara monte etmeden önce kabloları bağladığınızdan emin olun. Televizyon monte edildiğinde kabloları bağlayamayacaksınız. Televizyonunuzla birlikte verilen Başvuru Kılavuzuna bakın.

## 5 Kablo tutucuyu (televizyonla birlikte verilir) çıkarın. (Sadece KD-43XD83□□/43XD80□□)



## 6 Kabloları demetleyin.

KD-43XD83□□/43XD80□□ için, kablo tutucuyu iç deliklerden birine takın.

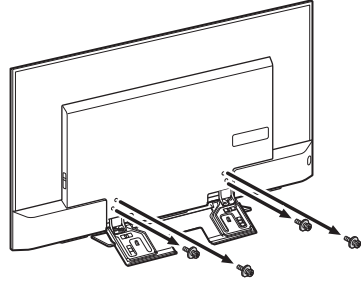


### Not

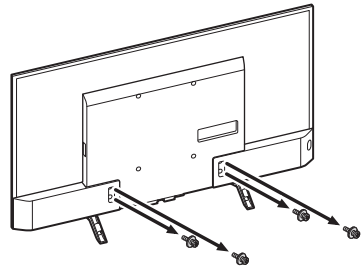
- Duvarda kablo yönlendirmesini lisanslı bir yükleniciye yaptırın.
- Bağlantı kablolarının ezilmesini önlemek için kabloları duvar montajından önce demetleyin.

## 7 Masa Üstü Sehpasını televizyondan sökün.

Sadece KD-55XD80□□



KD-55XD80□□ hariç

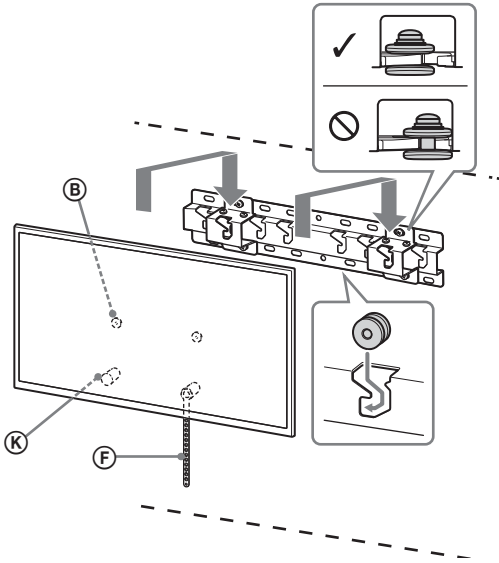


# Televizyonu duvara monte etme

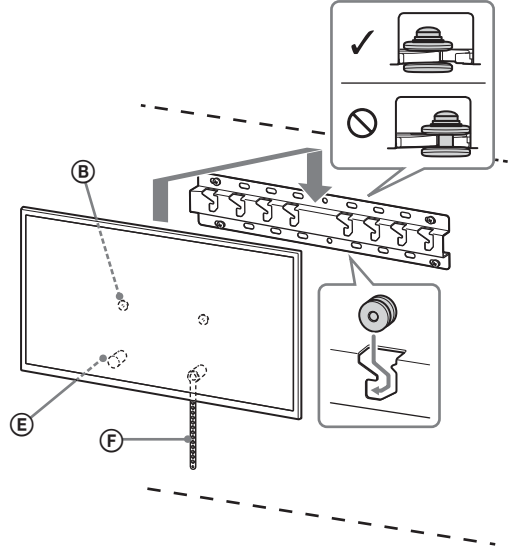
## 1 Televizyonu Tabana monte edin.

- Makaraların (B) Tabandaki askıya konumu için, sayfa Sayfa 8'de bulunan "Montaj konumuna karar verme" bölümünde adım 3'teki tabloya bakın.
- Televizyonu iki elinizde sıkıca tutun ve televizyonun arkasına takılı Makaraları (B) deliklerin şekline uydularından emin olarak Tabana hafifçe asın.
- Televizyonu duvara monte ettikten sonra, Makaraların (B) Tabana veya Taban Adaptörüne sıkı bir şekilde kilitlendiğinden emin olun.

2-a



2-b

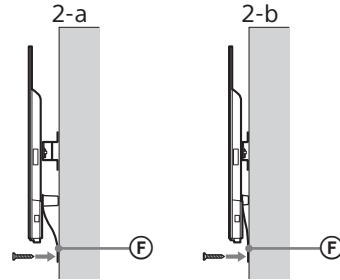


### UYARI

- Televizyonu taşırken mutlaka iki veya daha fazla kişi tutmalıdır.

## 2 Televizyonun altına kaymasını önleme.

- Kayışın (F) gevşek tarafını tutun ve duvara sıkıca takın.



- 5 mm çapında veya eşdeğer vida kullanın (birlikte verilmez).

### Not

- Televizyonun altına hafifçe kendinize doğru çekmeyi deneyerek ileri doğru oynamadığından emin olun. Herhangi bir oynama varsa, doğru sabitlenmemiştir ve Kayış (F) tekrar sıkıca sabitlenmelidir.



## Montajın tamamlandığını onaylama

Aşağıdaki noktaları kontrol edin.

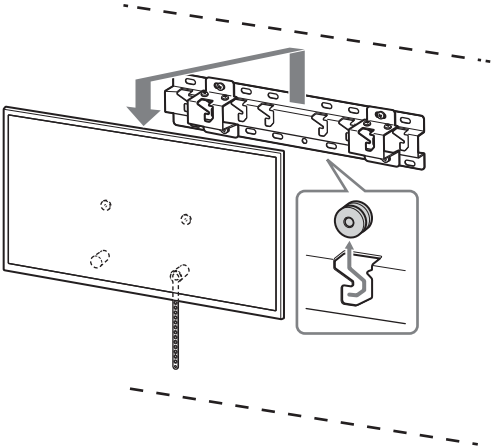
- Makaraların **ⓑ** Tabana veya Taban Adaptörüne sıkı bir şekilde asıldığından emin olun.
- Güç kablosu ve kablo bükülü veya sıkıştırılmış olmamalıdır.
- Kayış **ⓕ** sıkı olmalı, gevşek olmamalıdır.

### UYARI

- AC güç kablosu vb.'nin yanlış yerleştirilmesi, kısa devreye ve dolayısıyla yangına veya elektrik çarpmasına neden olabilir. Montajın güvenli bir şekilde tamamlandığından emin olun.

## Diğer bilgiler

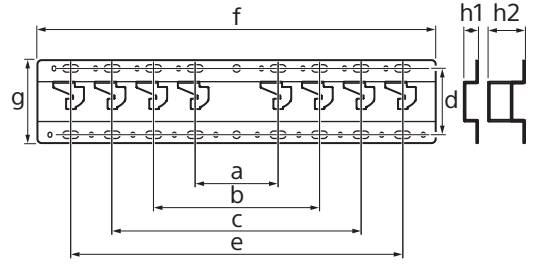
Televizyonu çıkarırken, önceki kurulum prosedürünü ters yönde izleyin.



### UYARI

- Televizyonu çıkarırken mutlaka iki veya daha fazla kişi tutmalıdır.

## Teknik Özellikler



### Boyutlar: (Yakl.) [mm]

- a : 100
- b : 200
- c : 300
- d : 80
- e : 400
- f : 480
- g : 100

- h1 : 20 (2-b durumunda)
- h2 : 60 (2-a durumunda)

### Ağırlık (yalnızca taban): (Yakl.) [kg]

0,8

Tasarım ve teknik özellikler, önceden bildirilmeksizin değişikliğe tabidir.

# Szerelési információk a Sony fali konzol (SU-WL450) használatához

## Támogatott modellek:

**KD-55XD80□□\*/49XD83□□\*/49XD80□□\*/43XD83□□\*/  
43XD80□□\***

\* Az adott típusnévben szereplő „□□” a típusra jellemző számokat és/vagy karaktereket jelöli.

### Vásárlóink figyelmébe

Termék- és baleset-biztonsági okokból a Sony azt tanácsolja, hogy a tv-készülék üzembe helyezését Sony viszonteladó vagy alvállalkozó hajtsa végre. Ne kísérelje meg a termék önálló felszerelését.

### Sony viszonteladók és alvállalkozók figyelmébe

A termék üzembe helyezésekor, rendszeres karbantartásakor és vizsgálatakor maradéktalanul tartson be minden biztonsági óvintézkedést.

A készülék felszerelése megfelelő szaktudást igényel, különösen a tv-készülék súlyát tartó fal teherbírásának megállapítását illetően. A készülék falra rögzítését mindig bízza Sony viszonteladóra vagy alvállalkozóra, és szereléskor ügyeljen a biztonságra. A Sony nem vállal felelősséget a gondatlan vagy szakszerűtlen szerelésből eredő személyi sérülésekért vagy anyagi károkért.

A biztonságos és megfelelő felszerelés érdekében kövesse a fali konzol Használati útmutatóját, a tv-készülék Használatbavételi útmutatóját és ezen kézikönyv utasításait.

## Biztonság

Köszönjük, hogy ezt a készüléket vásárolta meg.

### Vásárlóink figyelmébe

A termék felszereléséhez megfelelő tapasztalat szükséges. A szerelést a Sony viszonteladója vagy szerződött alvállalkozója végezze, különös tekintettel a szerelés biztonságára. A Sony nem tehető felelőssé a helytelen kezelésből vagy a helytelen szerelésből, illetve a megadott terméktől eltérő termék felszereléséből adódó semmilyen anyagi kárért vagy személyi sérülésért. Az Ön törvényes jogait (ha vannak) ez nem érinti.

### Sony viszonteladók számára

A termék felszereléséhez megfelelő tapasztalat szükséges. A biztonságos munkavégzés érdekében alaposan olvassa el ezt az útmutatót. A Sony nem tehető felelőssé a helytelen kezelés és szerelés miatt bekövetkezett semmilyen kárért vagy sérülésért. Kérjük, a szerelés befejezése után ezt az útmutatót adja át a fogyasztónak.

Ez a használati útmutató a termék helyes kezelését, illetve a fontos balesetvédelmi intézkedéseket mutatja be. Alaposan olvassa el ezt az útmutatót, és használja megfelelően a terméket. A későbbi használat céljára őrizze meg ezt az útmutatót.

A Sony termékeinek tervezése a biztonság szem előtt tartásával történik. A termékek helytelen használata azonban súlyos égési sérülést, áramütést okozhat, a termék feldőlhet vagy leeshet. Az ilyen balesetek elkerülése érdekében tartsa be a biztonsági előírásokat.

## VIGYÁZAT

### Meghatározott termékek

Ez a fali konzol a megadott tv-készülékekhez használható. Tv-készülékek esetében a használható fali konzol típusát a készülék Referencia útmutatója tartalmazza.

## Vásárlóink figyelmébe

### FIGYELMEZTETÉS

A következő biztonsági előírások be nem tartása súlyos égési sérülést, halált, áramütést okozhat, a termék pedig leeshet.

### A szerelést erre felhatalmazott vállalkozó végezze, és a gyerekeket tartsa távol a szerelés helyszínétől.

A fali konzol vagy a tv-készülék helytelen felszerelése esetén a következő balesetek következhetnek be. A szerelést felhatalmazott vállalkozónak kell végeznie.

- A tv-készülék leeshet, és súlyos sérülést, zúzódást vagy törést okozhat.
- Ha a fal, amelyre a fali konzolt felszerelik, nem stabil, egyenetlen, vagy nem merőleges a padlózatra, akkor a készülék leeshet, és személyi sérülést vagy anyagi kárt okozhat. A falnak legalább a tv-készülék súlyának négyszeresét kell elbírnia. (A tv-készülék súlyát lásd a készülék Referencia útmutatójában.)
- Ha a fali konzol felerősítése nem eléggé erős, akkor a készülék leeshet, és személyi sérülést vagy anyagi kárt okozhat.

### A tv-készülék szállítását és levételét erre felhatalmazott vállalkozó végezze.

Ha a tv-készülék szállítását vagy levételét nem felhatalmazott vállalkozó végzi, a készülék leeshet, és személyi sérülést vagy anyagi kárt okozhat. A tv-készülék szállítását és levételét két vagy több személy végezze.

### A tv-készülék felerősítése után ne távolítsa el a csavarokat stb.

Ellenkező esetben a tv-készülék leeshet, és személyi sérülést vagy anyagi kárt okozhat.

### A fali konzolt ne szerelje szét, és az alkatrészeit ne változtassa meg.

Ekkor a fali konzol leeshet, és személyi sérülést vagy anyagi kárt okozhat.

### A fali konzolra csak a megadott készüléket erősítse fel.

Ez a fali konzol csak a megadott készülékekhez használható. Más készülék felerősítése esetén a készülék leeshet, eltörhet, és személyi sérülést vagy anyagi kárt okozhat.

### A fali konzolra csak a tv-készüléket erősítse fel. E Ne rázza a tv-t jobbra/balra, felfelé/lefelé.

Ellenkező esetben a tv-készülék leeshet, és személyi sérülést vagy anyagi kárt okozhat.

### Ne támaszkodjon a tv-készülékre, és ne kapaszkodjon bele.

Ne támaszkodjon a tv-készülékre, és ne kapaszkodjon bele, mert a tv-készülék Önre eshet, és súlyos sérülést okozhat.

## VIGYÁZAT

Az alábbi biztonsági előírások be nem tartása személyi sérülést vagy anyagi kárt okozhat.

### A készülék tisztítása vagy karbantartása során ne alkalmazzon túl nagy erőt.

Ne nyomja meg nagy erővel a tv-készülék felső részét. Ellenkező esetben a tv-készülék leeshet, és személyi sérülést vagy anyagi kárt okozhat.

## Biztonsági előírások

- Ha a fali konzolra erősített tv-készüléket hosszú ideig használja, akkor a fal anyagától függően a tv-készülék mögött vagy felett elszíneződhet a falfelület, a tapéta leválhat.
- Ha a fali konzolt leszereli, a csavarfuratok megmaradnak.
- Ne használja a fali konzolt olyan helyen, ahol mechanikai rezgésnek lehet kitéve.

## A fali konzol felszerelése

### Sony viszonteladók számára

## FIGYELMEZTETÉS

A következő útmutatások csak a Sony viszonteladók számára szólnak. Feltétlenül olvassa el a fenti biztonsági előírásokat, és a készülék felszerelése, karbantartása és ellenőrzése során fokozottan ügyeljen a biztonságra.

## **A fali konzolt ne szerelje fel olyan helyen, ahol a tv-készülék sarkai vagy oldalai kilóghatnak a fal síkjából.**

A falra függesztő konzolt ne szerelje fel olyan falfelületre, például oszlopra, ahol a tv-készülék sarkai vagy oldalai kilóghatnak a fal síkjából. Ha egy személy vagy tárgy a tv-készülék kiálló sarkába vagy oldalába ütközik, az személyi sérülést vagy anyagi kárt okozhat.

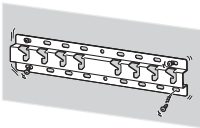


## **A tv-készüléket ne szerelje légkondicionáló alá vagy fölé.**

Ha a tv-készüléket hosszú ideig éri a légkondicionálóból csepegő víz vagy a levegőáram, az áramütést okozhat, vagy a tv-készülék helytelenül működhet.

## **Ügyeljen a fali konzol ennek a használati útmutatónak megfelelő, biztonságos falra rögzítésére.**

Ha bármelyik csavar laza, vagy kiesik, akkor a fali konzol leeshet, és személyi sérülést vagy anyagi kárt okozhat. A fal anyagának megfelelő csavart használja, és az egységet négy vagy több 8 mm átmérőjű (vagy azzal egyenértékű) csavarral biztonságosan rögzítse a falra.



**A mellékelt csavarokat és csatlakozóelemeket használja, és tartsa be a használati útmutató utasításait. Ha más alkatrészeket használ, akkor a tv-készülék leeshet, és személyi sérülést okozhat, vagy a tv-készülék megsérülhet.**

## **A fali konzolt a használati útmutató utasításainak szigorú betartásával, helyesen szerelje össze.**

Ha valamelyik csavar laza, vagy kiesik, akkor a tv-készülék leeshet, és személyi sérülést okozhat, vagy megsérülhet.

## **A megfelelő pozícióban erősen húzza meg a csavarokat.**

Ennek elmulasztása esetén a tv-készülék leeshet, és személyi sérülést okozhat, vagy megsérülhet.

## **Ügyeljen arra, hogy felszerelés közben ne érje ütés a tv-készüléket.**

Ha a tv-készüléket ütés éri, akkor leeshet vagy eltörhet. Ez személyi sérülést okozhat.

## **A tv-készüléket olyan sík falra szerelje fel, amely merőleges a padlózatra.**

Ellenkező esetben a tv-készülék leeshet, és személyi sérülést okozhat.

## **A tv-készülék helyes felerősítése után megfelelően rögzítse a kábeleket.**

Ha a kábelek emberbe vagy tárgyakra gabalyodnak, az személyi sérülést okozhat, és a tv-készülék megrongálódhat.

## **Ügyeljen arra, hogy a hálózati kábel vagy a csatlakozókábelek ne csípődjenek be.**

Ha a hálózati kábel vagy az összekötő kábelek a készülék és a fal közé csípődnek, illetve erőszakosan meghajlítják vagy megcsavarják őket, akkor a belső vezetékek szabadabbá válhatnak, és rövidzárlat vagy szakadás következhet be. Ez tüzet vagy áramütést okozhat.



## **A fali konzol falra erősítéséhez szükséges csavarok nincsenek mellékelve.**

A fali konzol falra erősítéséhez használja a fal anyagának és szerkezetének megfelelő csavarokat.

## A televíziókészülék falra szerelése

A szerelési utasítások televíziókészülékenként eltérnek.

A tv-készülék falra szereléséhez használja az SU-WL450 fali konzolt.

### Megjegyzés

- Az eltávolított csavarokat biztos helyen, gyermekek elől elzárva tárolja.

## A felszerelés előkészületei

- A felszerelés előtt készítse elő a tv-készülék Referencia útmutatóját.
- A szerelés megkezdése előtt készítsen elő olyan kereszthornyos (Philips) csavarhúzó, amely illik a csavarokba.
- Döntse el, hol helyezkedjen el a tv-készülék.
- Készítsen elő négy vagy több 8 mm átmérőjű, és egy 5 mm átmérőjű vagy annak megfelelő csavart (nincs mellékelve). A fal anyagának megfelelő csavarokat válasszon.

## Az alkatrészek ellenőrzése

### A SU-WL450 modellhez mellékelve

- Ellenőrizze, hogy minden alkatrész megtalálható-e.

Ⓐ Alap (20) (1) 	Ⓑ Tárcsa (2) 
Ⓒ PSW 6x20 (4) 	Ⓓ PSW 4x20 hüvellyel (2) 
Ⓔ Távtartó (20) (2) 	Ⓕ Pánt (1) 
Ⓖ Hüvely (20) (M4) (2) 	Ⓗ PSW 4x20 (2) 
Ⓘ Alap illesztőkeret (2) 	Ⓙ PSW 4x10 (8) 
Ⓚ Távtartó (60) (2) 	Ⓛ PSW 6x50 (2) 
Ⓜ Hüvely (M4) (2) 	Ⓝ PSW 4x50 (2) 
Ⓞ Fali csatlakozóelem (5) (2) 	Ⓟ Távtartó (2) 
Ⓠ Alátétgyűrű (1) 	Ⓡ PSW 5x12 (1) 

### A tv-készülékhez mellékelve (hátra erősítve)

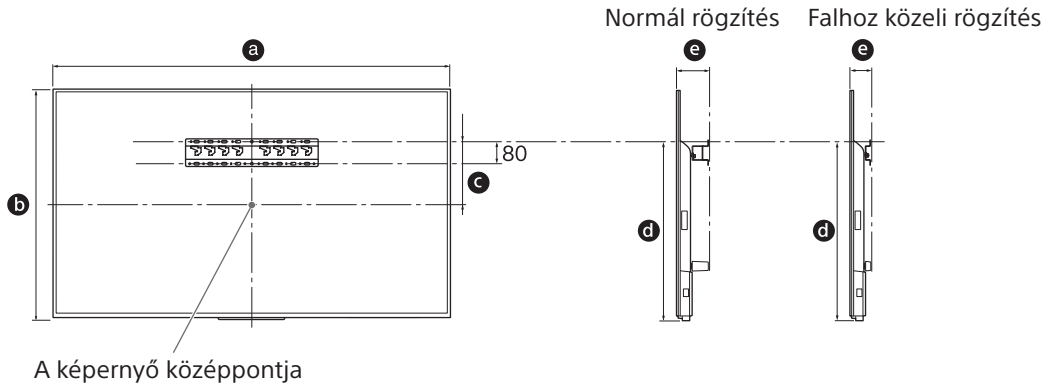
Ⓢ Kábeltartó (1) 
----------------------

# A felszereléshez megfelelő hely kiválasztása

## 1 Határozza meg a felszerelés helyét.

Győződjön meg arról, hogy a falon elegendő hely van a tv-készüléknek, illetve hogy a fal legalább a televíziókészülék súlyának négyszeresét képes megtartani.

A következő táblázat alapján szerelje fel a tv-készüléket a falra. A tv-készülék súlyát lásd a készülék Referencia útmutatójában.



Mértékegység: mm

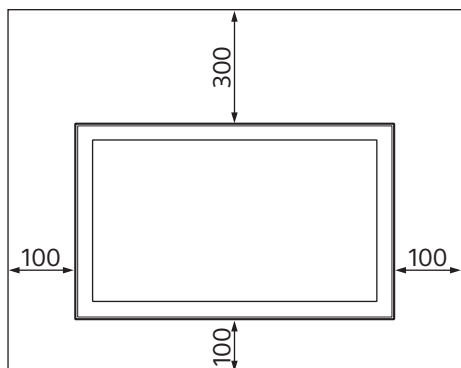
Típusnév KD-	A képernyő méretei		A képernyő középpontjának helyét meghatározó méret	A felszereléshez tartozó hosszérték		
	a	b	c	d	e	
						Normál rögzítés / Falhoz közeli rögzítés
55XD80□□	1 231	717	129	494	102	60
49XD83□□ 49XD80□□	1 093	639	181	508	102	60
43XD83□□	960	564	209	498	108	66
43XD80□□	960	564	209	498	107	65

### Megjegyzés

- A felszereléstől függően a táblázat adataihoz képest kisebb eltérés mutatkozhat.

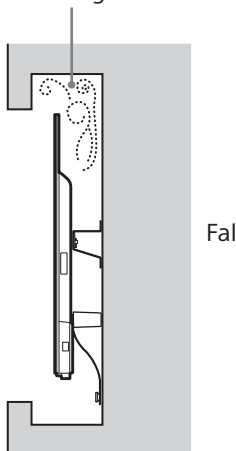
Ügyeljen arra, hogy a televíziókészülék és a plafon, valamint a fal kiálló részei között legalább az alábbi ábrán látható hely maradjon.

Mértékegység: mm



- A megfelelő szellőzés biztosítása, és por vagy szennyeződés felhalmozódásának megelőzése érdekében:
  - Ne üzemeltesse a tv-készüléket fektetve, fejjel lefelé felszerelve, a hátára vagy az oldalára fordítva.
  - Ne üzemeltesse a tv-készüléket polcon, ágyra vagy takaróra helyezve, illetve szekrényben.
  - Ne takarja le a tv-készüléket függönnyel vagy hasonló textíliával, illetve újsággal vagy hasonló anyaggal.
  - Ne szerelje fel a tv-készüléket az alábbi módon.

Gátolt levegőáramlás.



### Megjegyzés

- Ha a kábeleket a falban kívánja elvezetni, akkor még a szerelés megkezdése előtt fúrja ki a szükséges lyukat a falon. Készítsen egy lyukat a falban valahol az alap (20) **A**, alap illesztőkeret **I** és a távtartó (20) **E**, a távtartó (60) **K** területén kívül ahhoz, hogy elkerülje a kábelek becsípődését.

2 Válassza ki a falra való felszerelés stílusát. A tv hátulja és a fal közötti távolság az alábbiak szerint választható ki.

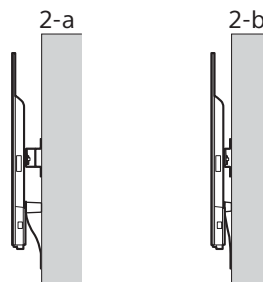
**2-a** Szokásos felszerelés

**2-b** Keskeny hézagú felszerelés

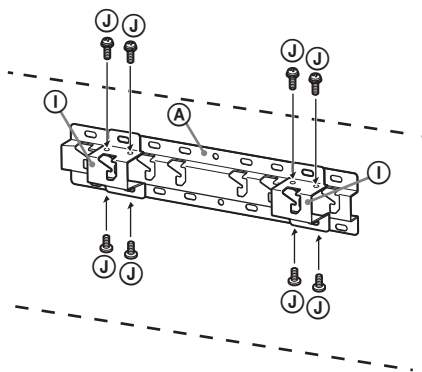
Tekintse meg az 1. lépésben látható táblázatot.

### FIGYELMEZTETÉS

- A 2-b lehetőség választása esetén a hátulsó csatlakozókhoz való hozzáférés korlátozott.

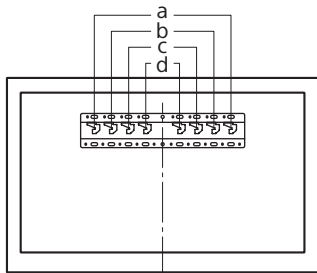


Illessze fel az **I** alap illesztőkeretet a **J** csavar (PSW 4x10) használatával az (20) **A** alagra, ha a 2-a lehetőséget választotta.



- 3 Az alap illesztőkeret elhelyezésével kapcsolatban tekintse meg az alábbi táblázatot. A 2-b lehetőség választása esetén hagyja ki ezt a lépést.

Típusnév KD-	Kampók helye
55XD80□□ 49XD83□□ 49XD80□□	c
43XD83□□ 43XD80□□	d



- 4 Határozza meg a csavarok helyét az alap (20) (A) felszereléséhez.

Tekintse meg a műszaki adatokat az 12. oldalon.

A 2-a lehetőség választása esetén használja az (1) alap illesztőkeret furathelyeit.

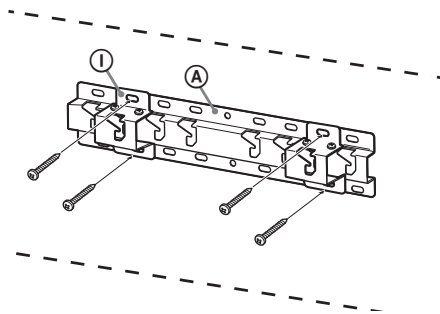
#### FIGYELMEZTETÉS

- A tévékészüléket tartó fal teherbírásának akkorának kell lennie, hogy legalább a készülék tömegének **négyszeresét** elbírja. (A tv-készülék súlyát lásd a készülék Referencia útmutatójában.)
- Derítse ki, mekkora a teherbírása a falnak, amelyre a televíziókészüléket szerelni kívánja. Szükség esetén megfelelően erősítse meg a falat.

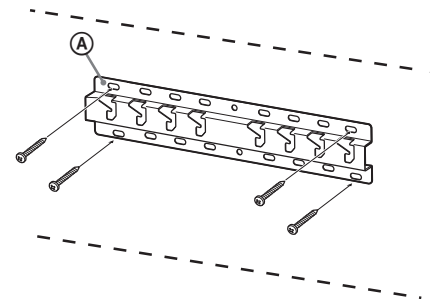
## Az alap falra szerelése

- Használjon négy vagy több 8 mm átmérőjű vagy annak megfelelő csavart (nincs mellékelve).
- **Illesszen négy csavart az (1) alap illesztőkeret furataihoz és az (20) (A) alaphoz (csak 2-a).**
- Vízszintesen szerelje fel az (20) (A) alapot a falra.

2-a



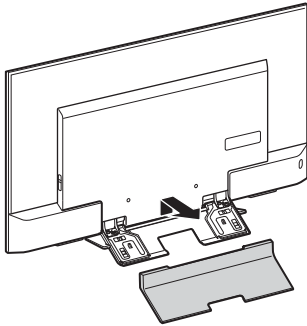
2-b





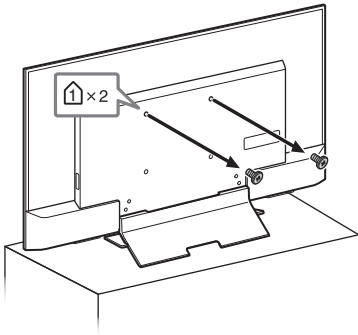
## A televíziókészülék felszerelésének előkészítése

- 1 Távolítsa el az állvány borítását. (csak KD-55XD80□□)

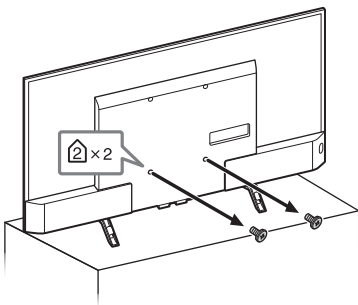


- 2 Távolítsa el a csavarokat a tv-készülék hátuljáról.

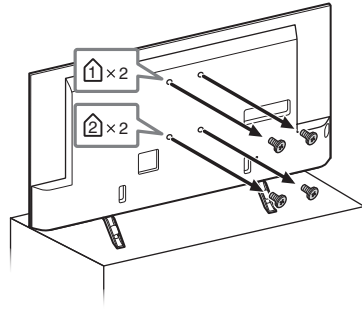
KD-55XD80□□



KD-49XD83□□/49XD80□□



KD-43XD83□□/43XD80□□

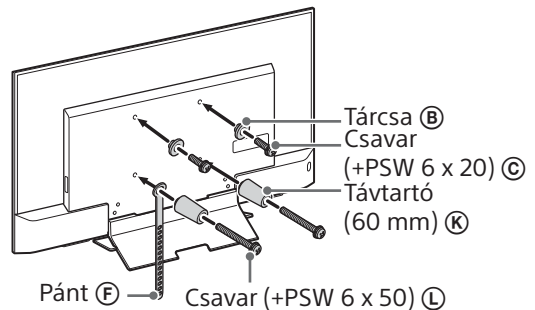


- 3 Csatlakoztassa a fali konzol csatlakozóelemeit. Ellenőrizze a csatlakozóelemeket a 5. oldalon található, „Az alkatrészek ellenőrzése” című szakasz „A SU-WL450 modellhez mellékelve” részének segítségével.

### Megjegyzés

- A csavarok használatával szorosan rögzítse a csatlakozóelemeket.
- Elektromos csavarbehajtó használata esetén kb. 1,5 N·m {15 kgf·cm} meghúzási nyomatékot kell beállítani.
- A fel nem használt csavarokat biztos helyen őrizze meg esetleges jövőbeni felhasználásra. Őrizze meg ezt a kézikönyvet későbbi használatra.

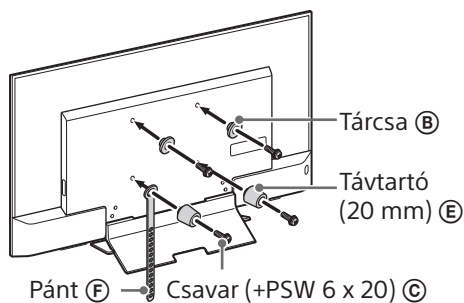
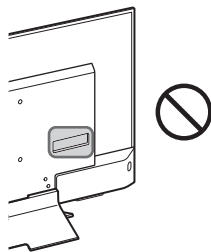
### Normál rögzítés (2-a)



## Falhoz közeli rögzítés (2-b)

### Megjegyzés

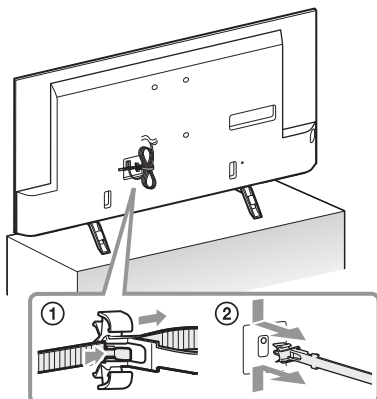
- Ennek az állványtípusnak a használatakor egyes, a tv-készülék hátulján található csatlakozók nem használhatók.



## 4 Csatlakoztassa a szükséges kábel(ek)e)t a tv-készülékhez.

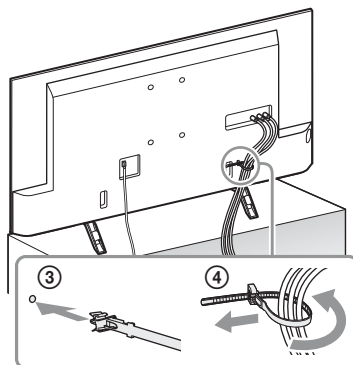
Mindenképpen csatlakoztassa a kábeleket, mielőtt felszereli a televíziókészüléket a falra. A televíziókészülék felszerelése után már nem tudja csatlakoztatni a kábeleket. További részletek a tv-készülékről annak Referencia útmutatójában találhatóak.

## 5 Válassza le a kábeltartót (a tv-készülékhez mellékelve). (csak KD-43XD83□□/43XD80□□)



## 6 Kötegelje a kábeleket.

A KD-43XD83□□/43XD80□□ típus esetében csatlakoztassa a kábeltartót a belső furatok egyikéhez.

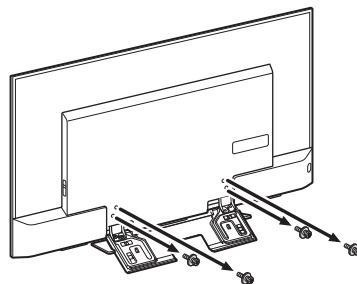


### Megjegyzés

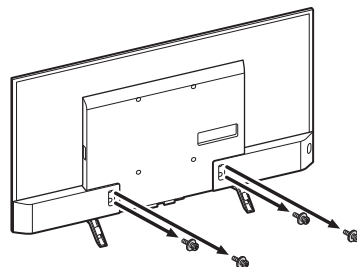
- Bízsa a kábelek falban vezetését felhatalmazott vállalkozóra.
- Kötegelje össze a kábeleket, mielőtt felszereli a televíziókészüléket a falra, hogy nehegy rálépjen azokra.

## 7 Válassza le az asztali állványt a tv-készülékről.

Csak KD-55XD80□□



Kivéve KD-55XD80□□

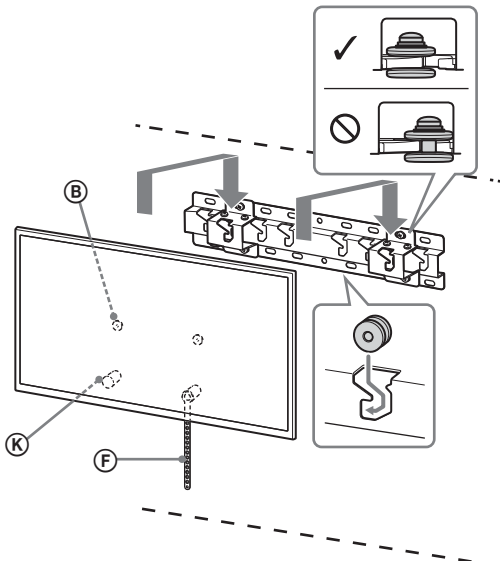


# A tv-készülék felszerelése a falra

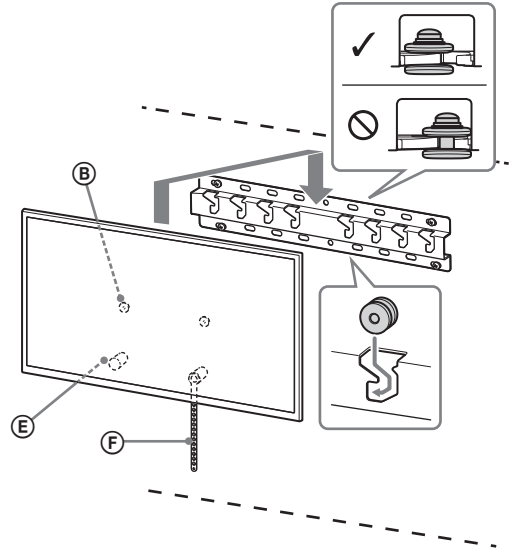
## 1 Szerelje fel a televíziókészüléket az alpra.

- Az alpra akasztandó ② tárcsák elhelyezkedéséről lásd a 3. lépéshez tartozó táblázatot „A felszereléshez megfelelő hely kiválasztása” című részben a 8. oldalon.
- Miközben két kézzel, biztosan tartja a tv-készüléket, óvatosan akassza a tv-készülék hátuljára rögzített tárcsákat ② az alaphoz, ügyelve a lyukak alakjára.
- A televíziókészülék falra való felszerelése után ellenőrizze, hogy a tárcsák ② szorosan illeszkednek-e az alapba vagy az alap illesztőkeretbe.

2-a



2-b

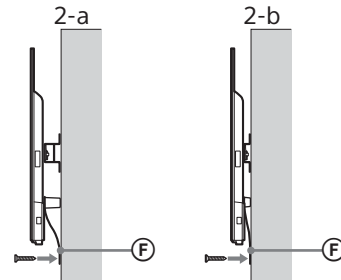


### FIGYELMEZTETÉS

- Gondoskodjon róla, hogy legalább két ember tartsa a televíziókészüléket szállításkor.

## 2 Teendők a tv-készülék aljának elmozdulása ellen.

- A laza pántot ⑥ rögzítse feszesen a falhoz.



- Használjon egy 5 mm átmérőjű vagy annak megfelelő csavart (nincs mellékelve).

### Megjegyzés

- Próbálja a tv-készülék alját enyhén maga felé húzni annak ellenőrzéséhez, hogy az biztosan nem mozog-e előre. Ha mozgást tapasztal, akkor a rögzítés nem megfelelő, és a pántot ⑥ újra szorosan fel kell erősíteni.

## A felszerelés megfelelőségének ellenőrzése

Ellenőrizze a következőket.

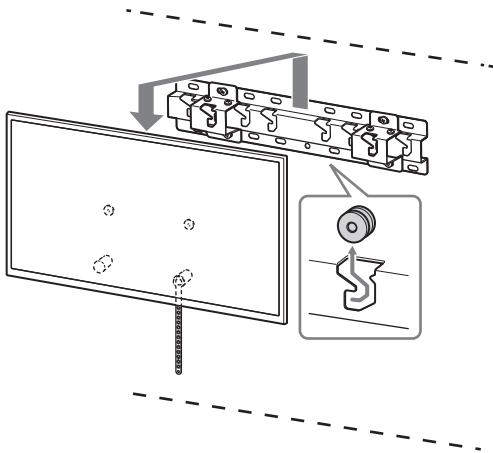
- A tárcsák **(B)** szorosan illeszkednek az alapba vagy az alap illesztőkeretbe.
- A hálózati kábel és az összekötő kábelek nem csavarodtak meg vagy csípődtek be.
- A pánt **(F)** feszes és nem laza.

### FIGYELMEZTETÉS

- A hálózati kábel stb. nem megfelelő elhelyezése rövidzárlat miatt tüzet vagy áramütést okozhat. Ellenőrizze a felszerelés megfelelőségét.

## Egyéb információk

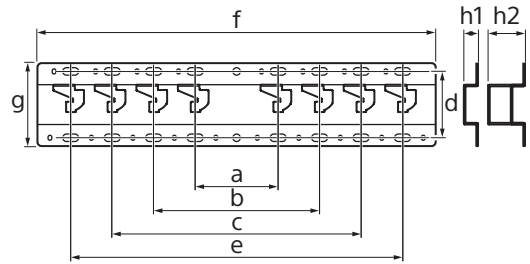
A televíziókészülék eltávolításakor visszafelé hajtja végre az eljárást.



### FIGYELMEZTETÉS

- Gondoskodjon róla, hogy legalább két ember tartsa a televíziókészüléket annak eltávolítása közben.

## Műszaki adatok



### Méreték: (kb.) [mm]

- a : 100
- b : 200
- c : 300
- d : 80
- e : 400
- f : 480
- g : 100

h1 : 20 (2-b esetén)

h2 : 60 (2-a esetén)

### Súly (csak az alap): (kb.) [kg]

0,8

A forma és a műszaki adatok előzetes bejelentés nélkül megváltozhatnak.

# Instalační informace k používání nástěnného držáku Sony (SU-WL450)

## Podporované modely:

**KD-55XD80□□\*/49XD83□□\*/49XD80□□\*/43XD83□□\*/  
43XD80□□\***

\* U jednotlivých názvů modelů označuje „□□“ čísla a/nebo znaky popisující jednotlivé konkrétní modely.

### Pro zákazníky

Společnost Sony za účelem ochrany produktu a z důvodů bezpečnosti důrazně doporučuje, aby instalaci televizoru provedl prodejce Sony nebo autorizovaný dodavatel. Nepokoušejte se o jeho instalaci sami.

### Pro prodejce a dodavatele Sony

Během instalace, pravidelné údržby a prohlídek výrobku důsledně dbejte na bezpečnost.

Instalace tohoto produktu vyžaduje dostatečné zkušenosti, zejména pak pro posouzení, zda zeď unese váhu televizoru. Připevnění tohoto produktu na zeď byste měli svěřit prodejcům Sony nebo autorizovaným dodavatelům a během instalace věnovat patřičnou pozornost bezpečnosti. Společnost Sony nenese žádnou odpovědnost za poškození nebo zranění způsobené nesprávnou manipulací nebo instalací.

Pro bezpečnost a řádnou instalaci se řiďte návodem k obsluze nástěnného držáku, počátečními instrukcemi televizoru a pokyny v tomto návodu.

## Bezpečnostní opatření

Děkujeme, že jste si zakoupili tento produkt.

### Informace pro zákazníky

Montáž tohoto produktu vyžaduje odborné znalosti a zkušenosti. Proto montáž tohoto produktu svěřte prodejci nebo licencovaným dodavatelům společnosti Sony a během montáže dodržujte uvedená bezpečnostní opatření. Společnost Sony nenesie žádnou odpovědnost za jakékoli škody nebo zranění způsobená nesprávným zacházením, nesprávnou montáží nebo montáží jiného než uvedeného produktu. Vaše zákonná práva (pokud existují) nejsou omezena.

### Informace pro prodejce společnosti Sony

Montáž tohoto produktu vyžaduje odborné znalosti a zkušenosti. Důkladně si přečtěte tento návod k použití, abyste montáž mohli provést v souladu s bezpečnostními pokyny. Společnost Sony nenesie žádnou odpovědnost za jakékoli škody nebo zranění způsobená nesprávným zacházením nebo nesprávnou montáží. Po provedení montáže tento návod vraťte zákazníkovi.

Tento návod k použití popisuje správnou manipulaci s produktem a obsahuje důležitá upozornění, jejichž dodržování brání vzniku nehod. Tento návod si důkladně přečtěte a použijte produkt správným způsobem. Tento návod uschovejte pro budoucí použití.

Produkty od společnosti Sony jsou navrženy s ohledem na bezpečnost. Pokud nebudete produkt používat správně, může dojít k vážnému zranění ohněm, elektrickému šoku nebo v důsledku převrácení nebo pádu produktu. Aby k takovým nehodám nedošlo, vždy dodržujte uvedená bezpečnostní opatření.

## UPOZORNĚNÍ

### Určené produkty

Tato konzola pro montáž na zeď je určena k použití s určenými televizory. V příslušných Referenčních příručkách k televizorům najdete informace o tom, se kterými televizory je možné nástěnný držák používat.

## Informace pro zákazníky

### VAROVÁNÍ

Pokud nebudete dodržovat následující bezpečnostní opatření, může dojít k vážným zraněním nebo smrti v důsledku požáru, úrazu elektrickým proudem nebo pádu produktu.

### Proto montáž tohoto produktu svěřte licencovaným dodavatelům a během montáže nedovolte malým dětem pobývat v blízkosti produktu.

Pokud konzolu pro montáž na zeď nebo televizor nenamontujete správně, může dojít k následujícím nehodám. Montáž svěřte licencovaným dodavatelům.

- Televizor může spadnout a způsobit vážné zranění, například zhmoždění nebo zlomeninu.
- Pokud zeď, na kterou chcete konzolu namontovat, není stabilní, rovná a kolmá k podlaze, jednotka může spadnout a způsobit zranění nebo poškození majetku. Stěna by měla unést hmotnost alespoň čtyřnásobku hmotnosti televizoru. (Informace o hmotnosti najdete v Referenční příručce k televizoru.)
- Pokud není montáž konzoly na zeď dostatečně pevná, jednotka může spadnout a způsobit zranění nebo poškození majetku.

### Přenos nebo demontáž televizoru svěřte licencovaným dodavatelům.

Pokud přenos nebo demontáž televizoru provádí jiné osoby než licencovaní dodavatelé, může televizor spadnout a způsobit zranění nebo poškození majetku. Přenos nebo demontáž televizoru musí provádět nejméně dvě osoby.

### Po montáži televizoru nevytahujte šrouby atd.

V opačném případě by mohl televizor spadnout a způsobit zranění nebo poškození majetku.

### Součásti konzoly pro montáž na zeď nijak neupravujte.

V opačném případě by mohla konzola spadnout a způsobit zranění nebo poškození majetku.

### Na konzolu nemontujte žádná jiná než určená zařízení.

Tato konzola pro montáž na zeď je určena k použití pouze s určenými zařízeními. Pokud na ni namontujete jiné než určené zařízení, mohlo by spadnout nebo se rozlomit a způsobit zranění nebo poškození majetku.

## Zabraňte tomu, aby na konzolu působila jiná zátěž než televizor. Netřeste televizorem doleva/doprava, nahoru/dolů.

V opačném případě by mohl televizor spadnout a způsobit zranění nebo poškození majetku.

### O televizor se neopírejte ani se na něj nezavěšujte.

O televizor se neopírejte ani se na něj nezavěšujte, protože by na vás mohl spadnout a způsobit vážné zranění.

## UPOZORNĚNÍ

Pokud nebudete dodržovat následující opatření, může dojít ke zranění nebo poškození majetku.

### Během čištění nebo provádění údržby na produkt nevyvíjejte nadměrnou sílu.

Na horní část televizoru nevyvíjejte sílu. V opačném případě by mohl televizor spadnout a způsobit zranění nebo poškození majetku.

## Bezpečnostní opatření

- Pokud používáte televizor namontovaný na konzole na zeď dlouhou dobu, barva stěny za nebo nad televizorem se může změnit nebo může dojít k odlepení tapety, v závislosti na materiálu stěny.
- Pokud po montáži na zeď konzolu odstraníte, zůstanou po ní díry na šrouby.
- Konzolu pro montáž na zeď nepoužívejte na místech, na která působí mechanické otřesy.

## Montáž konzoly na zeď

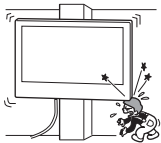
### Informace pro prodejce společnosti Sony

## VAROVÁNÍ

Následující pokyny jsou určeny pouze pro prodejce společnosti Sony. Přečtěte si výše uvedené pokyny a během montáže, údržby a kontroly tohoto produktu věnujte zvýšenou pozornost bezpečnosti.

## Konzolu na zeď nemontujte na plochy stěn, na kterých rohy nebo boky televizoru přechřívají ze stěny.

Konzolu na zeď nemontujte na plochy stěn, například sloupy, na kterých rohy nebo boky televizoru přechřívají ze stěny. Pokud do vyčnívajícího rohu nebo boku televizoru narazí osoba nebo předmět, může dojít ke zranění nebo poškození majetku.

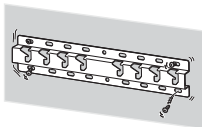


## Televizor nemontujte nad ani pod klimatizaci.

Pokud je televizor dlouhodobě vystaven prosakování vody nebo proudu vzduchu z klimatizace, může dojít k požáru, úrazu elektrickým proudem nebo poruše televizoru.

## Konzolu na zeď bezpečně namontujte podle následujících pokynů v tomto návodu k použití.

Pokud jsou kterékoli šrouby uvolněné nebo pokud vypadnou, konzola může spadnout a způsobit zranění nebo poškození majetku. Používejte šrouby vhodné pro materiál stěny a jednotku bezpečně upevněte pomocí nejméně čtyř šroubů o průměru 8 mm (nebo ekvivalentní).



**Používejte pouze dodané šrouby a další součásti podle pokynů uvedených v tomto návodu k použití. Pokud použijete náhradní součásti, televizor může spadnout a způsobit zranění osob nebo poškození televizoru.**

## Konzolu sestavte správně dle pokynů vysvětlených v tomto návodu k použití.

Pokud jsou kterékoli šrouby uvolněné nebo pokud vypadnou, televizor může spadnout a způsobit zranění osob nebo poškození televizoru.

## Šrouby pevně utáhněte v určené poloze.

V opačném případě může televizor spadnout a způsobit zranění osob nebo poškození televizoru.

## Během montáže dávejte pozor, aby nedošlo k nárazu televizoru.

Pokud je televizor vystaven nárazům, může dojít k jeho pádu nebo rozlomení. V důsledku toho by pak mohlo dojít ke zranění.

## Televizor namontujte na stěnu, která je kolmá a rovná.

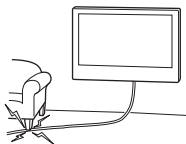
V opačném případě by mohl televizor spadnout a způsobit zranění.

## Po řádné montáži televizoru řádně zajistěte kabely.

Pokud se do kabelů zamotají osoby nebo jiné předměty, může dojít ke zranění nebo poškození televizoru.

## Dávejte pozor, aby nedošlo ke skřípnutí napájecí šňůry nebo propojovacího kabelu.

Pokud dojde ke skřípnutí napájecí šňůry nebo propojovacího kabelu mezi jednotku a stěnu nebo pokud dojde k jejich násilnému ohnutí nebo zkroucení, vnitřní vodiče mohou být obnaženy a mohou způsobit zkrat nebo přerušení elektrického obvodu. V důsledku toho může dojít k požáru nebo úrazu elektrickým proudem.



## Šrouby nutné k montáži konzoly na zeď nejsou součástí balení.

Při montáži konzoly na zeď používejte vhodné šrouby pro materiál stěny.

## Montáž televizoru na zeď

Montážní postupy se u jednotlivých televizorů liší.

K instalaci televizoru na zeď použijte nástěnný držák SU-WL450.

### Poznámka

- Vyšroubované šrouby uschovejte na bezpečném místě mimo dosah dětí.

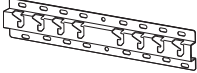

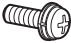











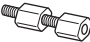



## Příprava na montáž

- Před montáží si připravte Referenční příručku k televizoru.
- Před zahájením sestavení si přichystejte křížový šroubovák pro určené šrouby.
- Zkontrolujte montážní polohu televizoru.
- Připravte si nejméně čtyři šrouby o průměru 8 mm a jeden šroub o průměru 5 mm nebo ekvivalentní (nejsou součástí balení).  
Vyberte šrouby vhodné pro materiál stěny.

## Kontrola součástí

### Dodáno s modelem SU-WL450

- Zkontrolujte, že žádná součást nechybí.

<b>A</b> Základna (20) (1) 	<b>B</b> Kladka (2) 
<b>C</b> Křížový šroub 6x20 (4) 	<b>D</b> Křížový šroub 4x20 s průchodkou (2) 
<b>E</b> Rozpěrka (20) (2) 	<b>F</b> Pás (1) 
<b>G</b> Průchodka (20) (M4) (2) 	<b>H</b> Křížový šroub 4x20 (2) 
<b>I</b> Adaptér základny (2) 	<b>J</b> Křížový šroub 4x10 (8) 
<b>K</b> Rozpěrka (60) (2) 	<b>L</b> Křížový šroub 6x50 (2) 
<b>M</b> Průchodka (M4) (2) 	<b>N</b> Křížový šroub 4x50 (2) 
<b>O</b> Nástavec na montáž na zeď (S) (2) 	<b>P</b> Rozpěrka (2) 
<b>Q</b> Podložka (1) 	<b>R</b> Křížový šroub 5x12 (1) 

### Dodáno s televizorem (připojeno k zadní části)

Držák kabelu (1)



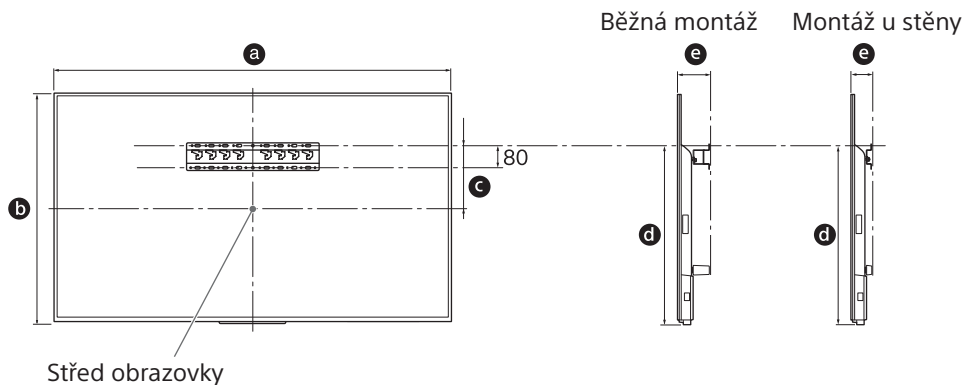


# Určení místa montáže

## 1 Rozhodněte se, kam chcete konzolu upevnit.

Ujistěte se, že je na zdi na televizor dostatek prostoru a že zeď unese alespoň čtyřnásobek hmotnosti televizoru.

Informace o montáži televizoru na zeď naleznete v následující tabulce. Informace o hmotnosti televizoru naleznete v Referenční příručce k televizoru.



Jednotka: mm

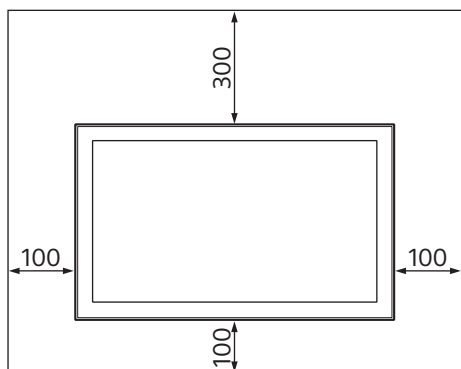
Název modelu KD-	Rozměry obrazovky		Rozměr ve středu obrazovky	Délka pro montáž		
	a	b	c	d	e	
					Běžná montáž	Montáž u stěny
55XD80□□	1 231	717	129	494	102	60
49XD83□□ 49XD80□□	1 093	639	181	508	102	60
43XD83□□	960	564	209	498	108	66
43XD80□□	960	564	209	498	107	65

### Poznámka

- Hodnoty v tabulce se v závislosti na instalaci mohou mírně lišit.

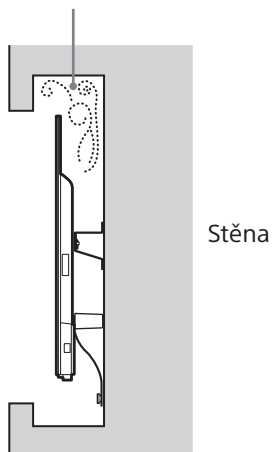
Mezi televizorem a stropem a vyčnívajícími částmi stěny ponechte dostatečný prostor, jak je znázorněno níže.

Jednotka: mm



- Abyste zajistili řádnou ventilaci a zabránili hromadění nečistot nebo prachu:
  - Nepokládejte televizor naplocho, neinstalujte ho vzhůru nohama, obrazovkou ke stěně ani na bok.
  - Neumísťujte televizor na polici, koberec, postel ani do skříně.
  - Nezakrývejte televizor látkou, například záclonami, ani takovými předměty, jako jsou noviny apod.
  - Neinstalujte televizor, jak je znázorněno níže.

Cirkulace vzduchu je blokována.



### Poznámka

- Pokud máte v plánu kabely vést ve stěně, před začátkem montáže vyvrtejte ve zdi otvor pro kabely. Aby nedošlo ke skřípnutí kabelů, připravte otvor ve zdi mimo obvod základny (20) (A), adaptér základny (1) a rozpěrky (20) (E), rozpěrky (60) (K).

2 Zvolte styl montáže na zeď. Vzdálenost zadní části televizoru od stěny můžete zvolit z následujících možností.

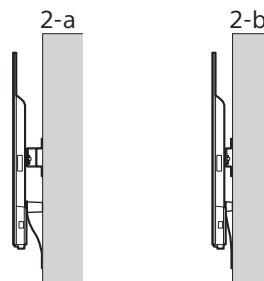
**2-a** Standardní montáž

**2-b** Úzká montáž

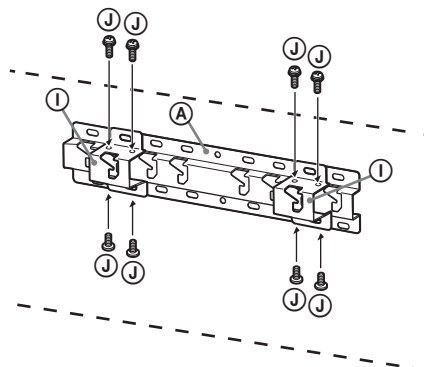
Viz tabulku kroku 1.

### VAROVÁNÍ

- Když zvolíte možnost 2-b, bude přístup k zadním konektorům omezený.



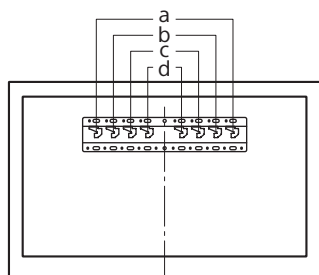
Když je zvolena možnost 2-a, připevněte adaptér základny (1) pomocí šroubu (PSW 4x10) (J) k základně (20) (A).



CZ

- 3 Viz tabulku níže, ve které najdete informace o místech připevnění adaptéru základny. Pokud zvolíte možnost 2-b, tento krok přeskočte.

Název modelu KD-	Umístění háku
55XD80□□ 49XD83□□ 49XD80□□	c
43XD83□□ 43XD80□□	d



- 4 Určete umístění šroubů pro montáž základny (20) (A).

Informace najdete v technických údajích na straně 12.

**Když zvolíte možnost 2-a, použijte prosím umístění otvorů adaptéru základny (I).**

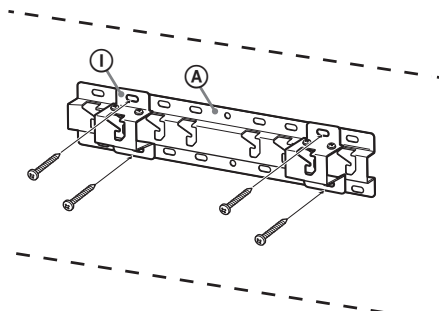
#### VAROVÁNÍ

- Stěna, na které bude televizor namontován, by měl unést hmotnost alespoň **čtyřnásobku** hmotnosti televizoru (Informace o hmotnosti najdete v Referenční příručce k televizoru.).
- Určete sílu stěny, na kterou bude televizor upevněn. V případě potřeby stěnu dostatečně zpevněte.

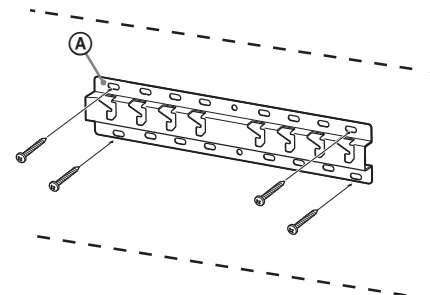
## Montáž základny na zeď

- Připravte si nejméně čtyři šrouby o průměru 8 mm nebo ekvivalentní (nejsou součástí balení).
- **Umístěte čtyři šrouby do otvorů adaptéru základny (I) a do základny (20) (A) (pouze 2-a).**
- Namontujte základnu (20) (A) na zeď vodorovně.

2-a

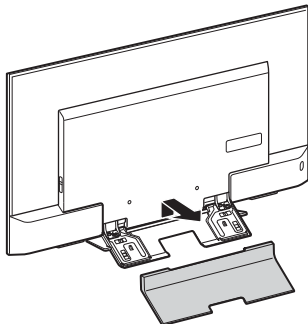


2-b



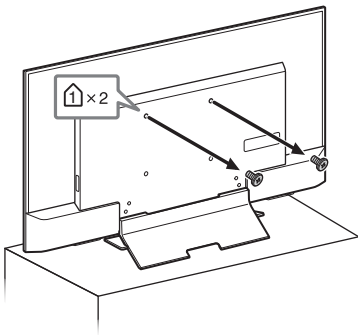
## Příprava na montáž televizoru

- 1 Sejměte kryt stojanu.  
(pouze KD-55XD80□□)

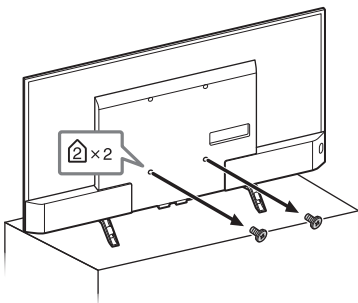


- 2 Vyšroubujte šrouby ze zadní části televizoru.

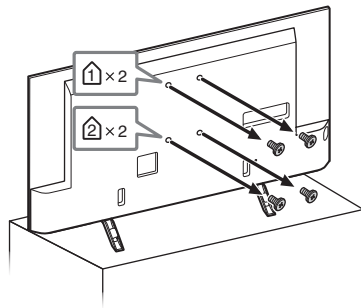
KD-55XD80□□



KD-49XD83□□/49XD80□□



KD-43XD83□□/43XD80□□

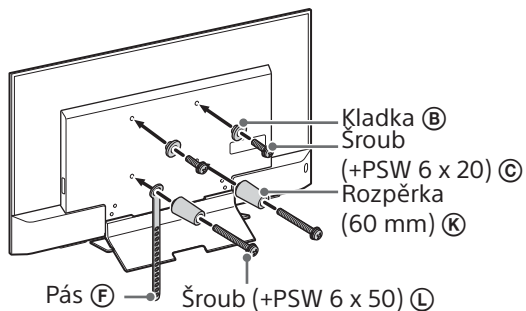


- 3 Připojte části příslušenství nástěnného držáku. Zkontrolujte části příslušenství v odstavci „Dodáno s modelem SU-WL450“ v části „Kontrola součástí“ na straně 5.

### Poznámka

- Pevně zajistěte díly příslušenství pomocí šroubů.
- Když používáte elektrický šroubovák, nastavte utahovací moment přibližně na 1,5 N·m {15 kgf·cm}.
- Nepoužité části uložte na bezpečné místo pro budoucí použití. Tento návod si uschovejte pro budoucí použití.

### Běžná montáž (2-a)

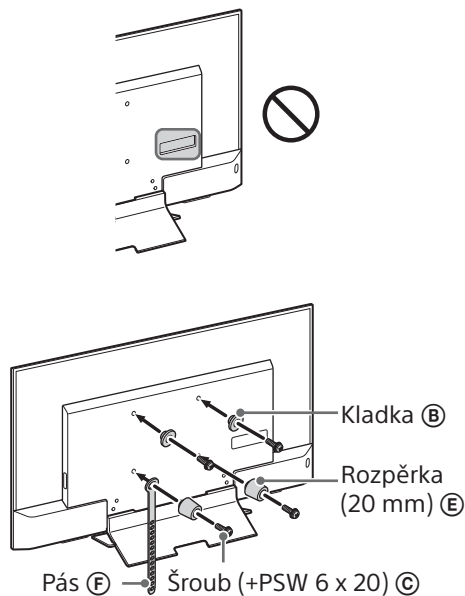


CZ

## Montáž u stěny (2-b)

### Poznámka

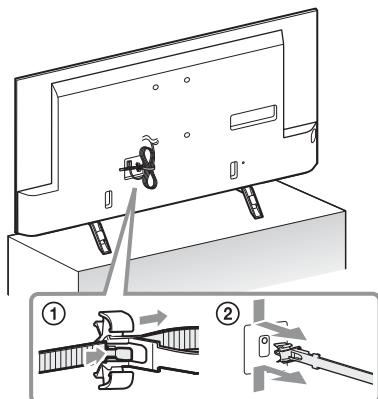
- Když použijete tento způsob montáže, nebudete moci použít některé konektory v zadní části televizoru.



## 4 Zapojte příslušné kabely k televizoru.

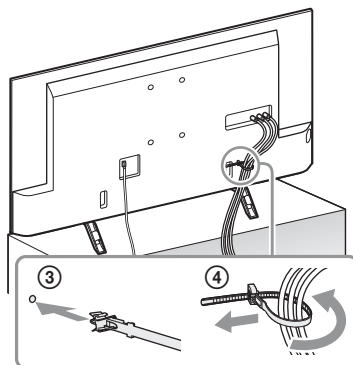
Před montáží televizoru na zeď nezapomeňte zkontrolovat, zda jsou kabely připojeny. Po montáži televizoru nebude možné kabely zapojit. Informace najdete v Referenční příručce dodané s televizorem.

## 5 Odpojte držák kabelu (dodáno s televizorem). (pouze KD-43XD83□□/43XD80□□)



## 6 Spojte kabely.

U modelů KD-43XD83□□/43XD80□□ upevněte držák kabelu k jednomu z vnitřních otvorů.

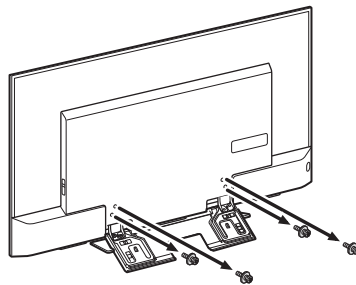


### Poznámka

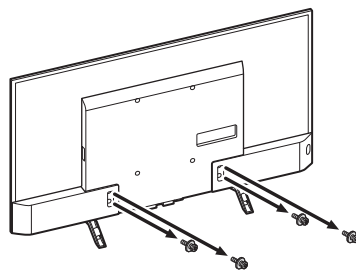
- Vedení kabelů ve zdi světe licencovanému dodavateli.
- Před montáží propojovací kabely svažte, abyste o ně nezakopli.

## 7 Odmontujte stolní stojan od televizoru.

Pouze KD-55XD80□□



Kromě modelů KD-55XD80□□

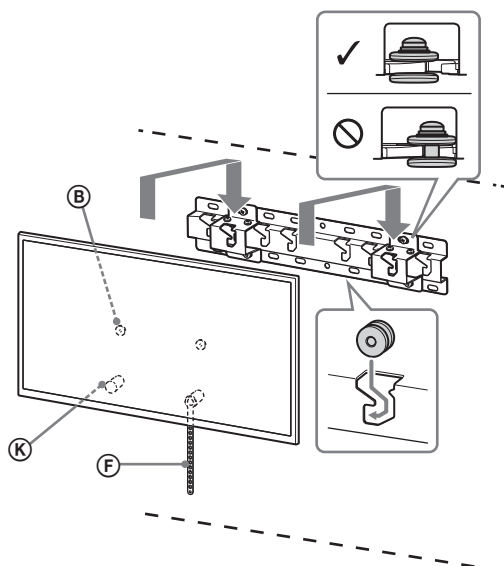


# Montáž televizoru na zeď

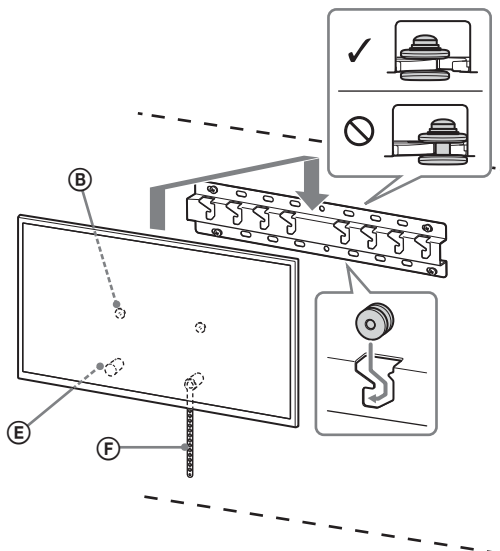
## 1 Upevněte televizor k základně.

- Informace o poloze kladek **B** pro zavěšení na základnu naleznete v tabulce u kroku 3 v části „Určení místa montáže“ na straně 8.
- Televizor pevně uchopte oběma rukama a opatrně zavěste klady **B** připojené k zadní straně televizoru k základně. Nezapomeňte ověřit tvar otvorů.
- Po montáži televizoru na zeď zkontrolujte, zda jsou klady **B** pevně zaklapnuty v základně nebo v adaptéru základny.

2-a



2-b

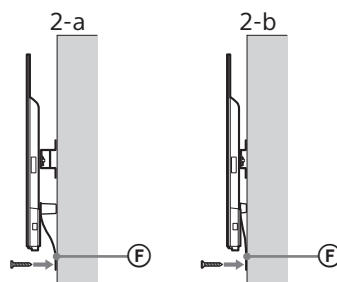


### VAROVÁNÍ

- Televizor musí přenášet vždy nejméně dvě osoby.

## 2 Zajistěte, aby se dolní část televizoru neposouvala.

- Uchopte kus pásky **F** a pevně ji upevněte ke zdi.



- Použijte šroub o průměru 5 mm nebo ekvivalentní (není součástí balení).

### Poznámka

- Zkuste opatrně zatáhnout za spodní stranu televizoru směrem k sobě a ujistěte se, že se nepohne kupředu. Pokud zjistíte jakýkoli posun, není televizor řádně namontován a bude třeba pásku **F** znovu pevně upevnit.

CZ

## Potvrzení dokončení montáže

Zkontrolujte následující body.

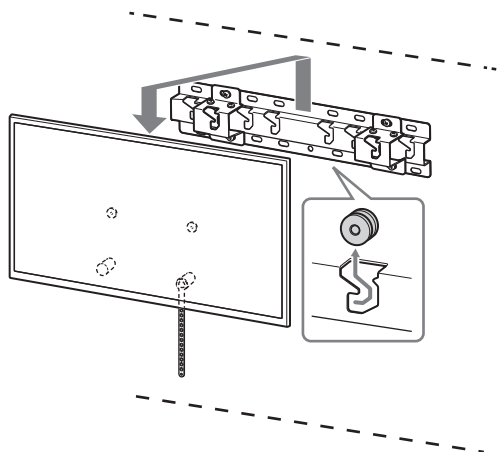
- Kladky **ⓑ** jsou pevně zavěšeny na základně nebo na adaptéru základny.
- Šňůry ani kabely nejsou zkrouceny ani skřípnuty.
- Páska **ⓕ** je pevná, nikoli uvolněná.

### VAROVÁNÍ

- Nesprávné umístění napájecí šňůry atd. může způsobit požár nebo úraz elektrickým proudem v důsledku zkratu. Z bezpečnostních důvodů je třeba dokončení montáže potvrdit.

## Další informace

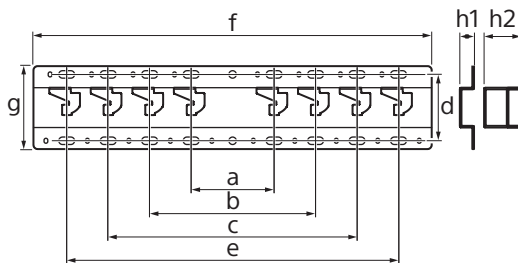
Při demontáži televizoru proveďte uvedený postup v obráceném sledu.



### VAROVÁNÍ

- Televizor musí demontovat vždy nejméně dvě osoby.

## Technické údaje



### Rozměry: (přibl.) [mm]

- a : 100
- b : 200
- c : 300
- d : 80
- e : 400
- f : 480
- g : 100

h1 : 20 (případ 2-b)

h2 : 60 (případ 2-a)

### Hmotnost (pouze základna): (přibl.) [kg]

0,8

Vzhled a technické údaje se mohou bez předchozího upozornění změnit.

# Informácie týkajúce sa používania montážnej konzoly na stenu Sony (SU-WL450)

## Podporované modely:

**KD-55XD80□□\*/49XD83□□\*/49XD80□□\*/43XD83□□\*/  
43XD80□□\***

\* V názvoch modelov označujú znaky „□□“ čísla alebo znaky špecifické pre jednotlivé modely.

Pre zákazníkov

Z dôvodov ochrany produktu a bezpečnosti spoločnosť Sony odporúča, aby inštaláciu televízneho prijímača vykonali predajcovia spoločnosti Sony alebo licencovaní dodávatelia. Nepokúšajte sa ho nainštalovať sami.

Pre predajcov a dodávateľov spoločnosti Sony

Počas inštalácie, pravidelnej údržby a kontroly tohto produktu venujte plnú pozornosť bezpečnosti.

Inštalácia tohto produktu vyžaduje adekvátne odborné znalosti. Obzvlášť je potrebné určiť, či je stena dostatočne pevná na to, aby udržala hmotnosť televízneho prijímača. Pripevnenie tohto produktu na stenu zverte predajcom alebo licencovaným dodávateľom spoločnosti Sony a počas inštalácie venujte náležitú pozornosť bezpečnosti. Spoločnosť Sony nezodpovedá za žiadne škody ani zranenia spôsobené nevhodnou manipuláciou alebo nesprávnou inštaláciou.

Informácie o bezpečnosti a správnej inštalácii nájdete v návode na obsluhu montážnej konzoly na stenu, návode na spustenie TV prijímača a usmerneniach v tomto návode.



## Informácie o bezpečnosti

Ďakujeme vám za zakúpenie tohto produktu.

### Pre zákazníkov

Montáž tohto produktu vyžaduje adekvátne odborné znalosti. Montáž zverte predajcovi alebo licencovanému dodávateľovi produktov od spoločnosti Sony a počas montáže venujte náležitú pozornosť bezpečnosti. Spoločnosť Sony nenesie zodpovednosť za žiadne škody ani zranenia spôsobené nesprávnou manipuláciou alebo montážou, alebo montážou akéhokoľvek iného ako špecifikovaného produktu. Vaše prípadné zákonné práva sú nedotknuté.

### Pre predajcov produktov spoločnosti Sony

Montáž tohto produktu vyžaduje adekvátne odborné znalosti. V záujme zaistenia bezpečnosti pri montáži si dôkladne prečítajte tento návod na používanie. Spoločnosť Sony nezodpovedá za žiadne škody ani zranenia spôsobené nevhodnou manipuláciou alebo nesprávnou montážou. Po montáži odovzdajte tento návod zákazníkovi.

V tomto návode na používanie je znázornená správna manipulácia s produktom a dôležité bezpečnostné pokyny, účelom ktorých je predísť nehodám. Tento návod na používanie si dôkladne prečítajte a produkt používajte správnym spôsobom. Návod uschovajte pre budúce použitie.

Produkty od spoločnosti Sony boli navrhnuté s dôrazom na bezpečnosť. Ak sa však produkt používa nesprávne, môže to mať za následok vážne zranenie následkom požiaru, zásahu elektrickým prúdom, prevrhnutia výrobku alebo jeho pádu. Dodržiavajte bezpečnostné pokyny, aby sa podobným nehodám predišlo.

## UPOZORNENIE

### Špecifikované produkty

Táto montážna konzola na stenu je určená na použitie so špecifikovanými TV prijímačmi. Informácie o tom, či je možné montážnu konzolu na stenu použiť s TV prijímačom, nájdete v referenčnej príručke.

## Pre zákazníkov

### VÝSTRAHA

V prípade nedodržania bezpečnostných pokynov môže dôjsť k vážnemu zraneniu alebo smrti následkom požiaru, zásahu elektrickým prúdom alebo prevrhnutia výrobku.

### Montáž zverte licencovanému dodávateľovi a dbajte na to, aby sa v blízkosti inštalácie nezdržiavali deti.

Ak sa montážna konzola na stenu alebo TV prijímač nenamontuje správne, môže dôjsť k nasledujúcim nehodám. Montáž zverte licencovanému dodávateľovi.

- TV prijímač by mohol spadnúť a spôsobiť vážne zranenia, napríklad modriny alebo zlomeniny.
- Ak je stena, na ktorú sa inštaluje montážna konzola na stenu, nestabilná, nerovná alebo nie je v pravom uhle s podlahou, jednotka môže spadnúť a spôsobiť zranenie alebo škody na majetku. Stena by mala udržať minimálne štvornásobok hmotnosti TV prijímača. (Informácie o hmotnosti TV prijímača nájdete v referenčnej príručke.)
- Ak nie je montážna konzola na stenu namontovaná dostatočne pevne, jednotka môže spadnúť a spôsobiť zranenie alebo škody na majetku.

### Premiestňovanie alebo odmontovanie TV prijímača zverte licencovanému dodávateľovi.

Ak TV prijímač prenášajú alebo demontujú iné osoby ako licencovaní dodávateľia, TV prijímač môže spadnúť a spôsobiť zranenie alebo škody na majetku. Zistite, aby prenášanie alebo demontáž TV prijímača vykonávali aspoň dve osoby.

### Po namontovaní TV prijímača neodskrutkujte skrutky.

V opačnom prípade môže TV prijímač spadnúť a spôsobiť zranenie alebo škody na majetku.

### Časti montážnej konzoly na stenu neupravujte.

V opačnom prípade môže montážna konzola na stenu spadnúť a spôsobiť zranenie alebo škody na majetku.

## Okrem špecifikovaných produktov nemontujte žiadne iné zariadenia.

Táto montážna konzola na stenu je určená na použitie iba so špecifikovanými produktmi. Ak na ňu namontujete iné zariadenie než je špecifikované, môže spadnúť alebo sa rozbiť a spôsobiť zranenie alebo škody na majetku.

### Montážnu konzolu nezaťažujte ničím okrem TV prijímača. TV prijímačom netraste doľava, doprava, nahor ani nadol.

V opačnom prípade môže TV prijímač spadnúť a spôsobiť zranenie alebo škody na majetku.

### O TV prijímač sa neopierajte a nevešajte sa naň.

O TV prijímač sa neopierajte a nevešajte sa naň, pretože by mohol na vás spadnúť a spôsobiť vážne zranenie.

## UPOZORNENIE

Ak nebudete dodržiavať nasledujúce bezpečnostné pokyny, môže dôjsť k zraneniu alebo škodám na majetku.

### Počas čistenia alebo údržby netlačte na produkt nadmernou silou.

Netlačte nadmernou silou na hornú časť TV prijímača. V opačnom prípade môže TV prijímač spadnúť a spôsobiť zranenie alebo škody na majetku.

## Upozornenie

- Ak používate TV prijímač namontovaný na montážnu konzolu na stenu dlhodobu, v závislosti od materiálu steny sa môže zmeniť farba steny za alebo nad TV prijímačom alebo sa môže odlepiť tapeta.
- Po demontáži montážnej konzoly na stenu ostávajú v stene otvory na skrutky.
- Montážnu konzolu na stenu nemontujte na miesta, kde bude vystavená mechanickým vibráciám.

## Montáž montážnej konzoly na stenu

Pre predajcov produktov spoločnosti Sony

### VÝSTRAHA

Nasledujúce pokyny sú určené len pre predajcov produktov spoločnosti Sony. Dôkladne si prečítajte bezpečnostné pokyny uvedené vyššie a počas montáže, údržby a kontroly tohto produktu venujte mimoriadnu pozornosť bezpečnosti.

## Montážnu konzolu na stenu neinštalujte na povrch steny, kde budú rohy alebo strany TV prijímača vyčnievať mimo povrchu steny.

Montážnu konzolu na stenu neinštalujte na povrch steny, napríklad na pilier, kde budú rohy alebo strany TV prijímača vyčnievať mimo povrchu steny. Ak osoba alebo predmet narazí do vyčnievajúceho rohu alebo strany TV prijímača, môže dôjsť k zraneniu alebo škodám na majetku.

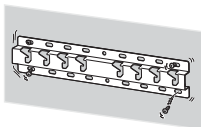


## TV prijímač nemontujte nad ani pod klimatizáciu.

Ak je TV prijímač dlhodobo vystavený unikajúcej vode alebo prúdu vzduchu z klimatizácie, môže to mať za následok požiar, zásah elektrickým prúdom alebo poruchu TV prijímača.

## Montážnu konzolu na stenu namontujte bezpečne na stenu podľa nasledujúcich pokynov v tomto návode.

Ak sa ktorákoľvek zo skrutiek uvoľní alebo vypadne, montážna konzola na stenu môže spadnúť a spôsobiť zranenie alebo škody na majetku. Používajte skrutky vhodné pre materiál steny a jednotku namontujte pevne použitím štyroch alebo viacerých skrutiek s priemerom 8 mm (alebo ekvivalentných).



Používajte len dodané skrutky a upevňovacie diely riadne podľa pokynov uvedených v tomto návode. Ak použijete náhradné diely, TV prijímač môže spadnúť a spôsobiť niekomu zranenie alebo sa môže TV prijímač poškodiť.

## Konzolu správne zostavte podľa postupu uvedeného v tomto návode.

Ak sa ktorákoľvek zo skrutiek uvoľní alebo vypadne, TV prijímač môže spadnúť a spôsobiť niekomu zranenie alebo sa môže TV prijímač poškodiť.

## Skrutky pevne utiahnite na vyznačenom mieste.

Ak tak neurobíte, TV prijímač môže spadnúť a spôsobiť niekomu zranenie alebo sa môže TV prijímač poškodiť.

## Počas montáže nevystavujte TV prijímač nárazom.

TV prijímač vystavený nárazu môže spadnúť alebo prasknúť. To môže spôsobiť zranenie.

## TV prijímač montujte na kolmú a rovnú stenu.

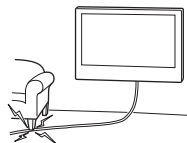
Ak tak neurobíte, TV prijímač môže spadnúť a spôsobiť zranenie.

## Po správnej montáži TV prijímača pevne zaistite káble.

Ak sa do káblov zamotajú ľudia alebo predmety, môže dôjsť k zraneniu alebo poškodeniu TV prijímača.

## Zabráňte priškripeniu napájacieho alebo prepojovacieho kábla.

Keď je napájací alebo prepojovací kábel priškripený medzi jednotkou a stenou alebo nasilu ohnutý alebo skrútený, môžu sa odhaliť vnútorné vodiče, čo môže spôsobiť skrat alebo prerušenie napájania. Mohlo by dôjsť k požiaru alebo zásahu elektrickým prúdom.



## Skrutky potrebné na upevnenie montážnej konzoly k stene sa nedodávajú.

Na montáž montážnej konzoly na stenu použite skrutky vhodné pre materiál a konštrukciu steny.

## Montáž TV prijímača na stenu

Postup montáže sa líši v závislosti od TV prijímača.  
Na inštaláciu televízneho prijímača na stenu použite montážnu konzolu na stenu SU-WL450.

### Poznámka

- Odskrutkované skrutky uložte na bezpečnom mieste mimo dosahu detí.

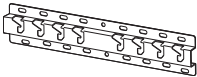













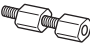



## Príprava na montáž

- Pred montážou si pripravte referenčnú príručku TV prijímača.
- Pred montážou si pripravte skrutkovač Phillips vhodný na príslušné skrutky.
- Stanovte montážnu polohu TV prijímača.
- Pripravte si štyri alebo viac skrutiek s priemerom 8 mm a jednu skrutku s priemerom 5 mm alebo ekvivalentné skrutky (nedodávajú sa). Vyberte skrutky vhodné pre materiál steny.

## Kontrola dielov

### Položky dodávané s montážnou konzolou na stenu SU-WL450

- Skontrolujte, či boli dodané všetky diely.

<b>A</b> Podstavec (20) (1) 	<b>B</b> Kladka (2) 
<b>C</b> PSW 6x20 (4) 	<b>D</b> PSW 4x20 s vložkou (2) 
<b>E</b> Dištančná vložka (20) (2) 	<b>F</b> Remeň (1) 
<b>G</b> Vložka (20) (M4) (2) 	<b>H</b> PSW 4x20 (2) 
<b>I</b> Adaptér podstavca (2) 	<b>J</b> PSW 4x10 (8) 
<b>K</b> Dištančná vložka (60) (2) 	<b>L</b> PSW 6x50 (2) 
<b>M</b> Vložka (M4) (2) 	<b>N</b> PSW 4x50 (2) 
<b>O</b> Montážny nástavec na stenu (S) (2) 	<b>P</b> Dištančná vložka (2) 
<b>Q</b> Podložka (1) 	<b>R</b> PSW 5x12 (1) 

### Položky dodávané s TV prijímačom (pripevnené k zadnej časti)

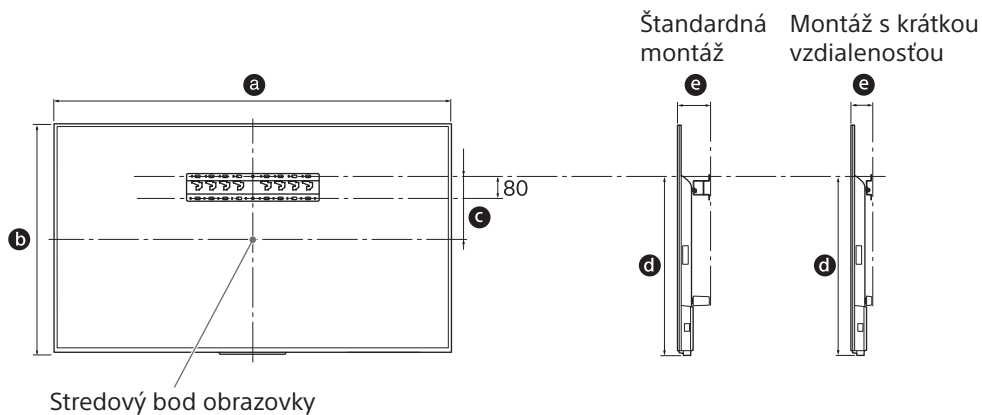
<b>S</b> Držiak káblov (1) 
---

# Určenie miesta montáže

## 1 Určte miesto montáže.

Stena musí byť dostatočne priestraná a mať nosnosť minimálne štvornásobku hmotnosti televízneho prijímača.

Pozrite si nasledujúcu tabuľku, kde nájdete informácie o montáži TV prijímača na stenu. Informácie o hmotnosti TV prijímača nájdete v referenčnej príručke TV prijímača.



Jednotka: mm

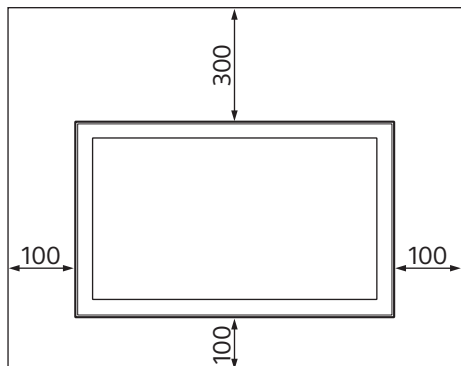
Názov modelu KD-	Rozmery displeja		Stredový rozmer obrazovky c	Dĺžka pre montáž		
	a	b		d	Štandardná montáž e	Montáž s krátkou vzdialenosťou
55XD80□□	1 231	717	129	494	102	60
49XD83□□ 49XD80□□	1 093	639	181	508	102	60
43XD83□□	960	564	209	498	108	66
43XD80□□	960	564	209	498	107	65

### Poznámka

- Hodnoty v tabuľke sa môžu v závislosti od inštalácie mierne líšiť.

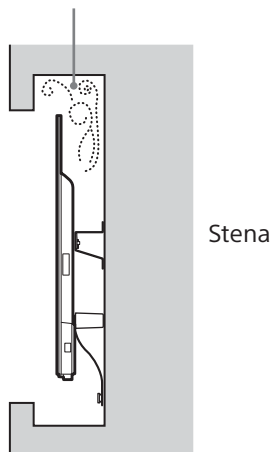
Medzi TV prijímačom, stropom a vystupujúcimi časťami steny ponechajte dostatočný priestor, ako je to znázornené na nasledujúcom obrázku.

Jednotka: mm



- Na zaručenie dostatočného vetrania a na predchádzanie usadzovaniu nečistôt alebo prachu:
  - Televízny prijímač nekladte naplocho, neinštalujte ho obrátene, smerom dozadu ani nabok.
  - Televízny prijímač nekladte na policu, koberec, posteľ ani do skrine.
  - Televízny prijímač neprikryvajte textíliami, ako sú záclony, ani predmetmi, ako noviny a pod.
  - Televízny prijímač neinštalujte podľa nasledujúcej ilustrácie.

Cirkulácia vzduchu je zablokovaná.



#### Poznámka

- Ak máte v úmysle viesť káble v stene, pred začatím montáže vytvorte otvor do steny a zasuňte doň káble. Vytvorte otvor v stene v priestore mimo obvodu podstavca (20) **A**, adaptéru podstavca **I** a dištančnej vložky (20) **E**, dištančnej vložky (60) **F**, aby nedošlo k priškripnutiu káblov.

2 Vyberte typ montáže na stenu. Vzdialenosť zadnej časti TV prijímača od steny možno vybrať podľa nasledujúcich informácií.

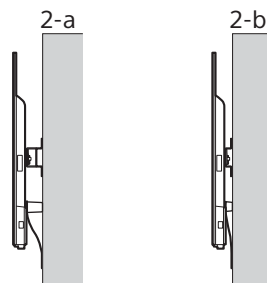
**2-a** Štandardná montáž

**2-b** Montáž s krátkou vzdialenosťou

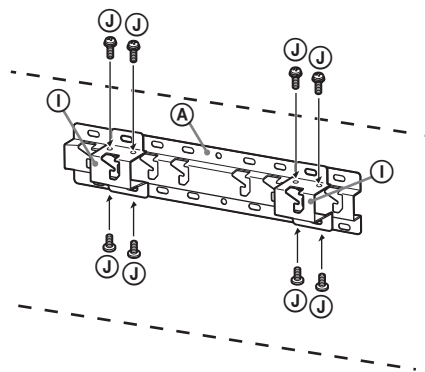
Pozrite si tabuľku v kroku 1.

#### VÝSTRAHA

- Ak vyberiete spôsob 2-b, prístup k zadným koncovkám bude obmedzený.

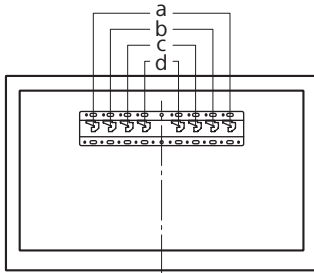


V prípade spôsobu 2-a pripevnite adaptér podstavca **I** pomocou skrutky (PSW 4 x 10) **J** k podstavcu (20) **A**.



- 3 Podľa nasledujúcej tabuľky určte polohu montáže adaptéra podstavca. Ak ste vybrali spôsob 2-b, tento krok vynechajte.

Názov modelu KD-	Umiestnenie háka
55XD80□□	c
49XD83□□	
49XD80□□	
43XD83□□	d
43XD80□□	



- 4 Určte pozíciu skrutiek na montáž podstavca (20) (A).  
Pozrite si technické údaje na strane 12.  
**Ak vyberiete spôsob 2-a, použite umiestnenie otvorov adaptéra podstavca (I).**

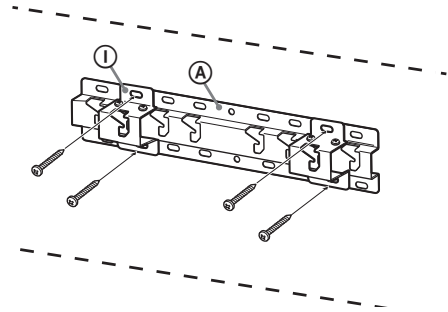
#### VÝSTRAHA

- Stena, na ktorej bude TV prijímač namontovaný, by mala udržať minimálne **štvornásobok** hmotnosti TV prijímača. (Informácie o hmotnosti TV prijímača nájdete v referenčnej príručke.).
- Určte pevnosť steny, na ktorej bude TV prijímač namontovaný. V prípade potreby stenu dostatočne spevnite.

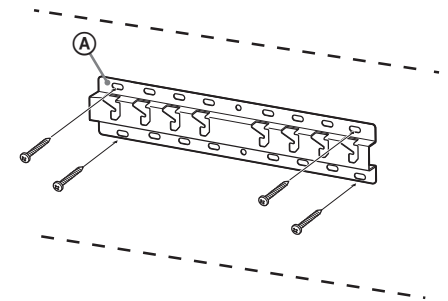
## Inštalácia podstavca na stenu

- Použite minimálne štyri skrutky s priemerom 8 mm alebo ekvivalentné skrutky (nedodávajú sa).
- **Vložte štyri skrutky do otvorov na adaptéri podstavca (I) s podstavcom (20) (A) (len 2-a).**
- Podstavec (20) (A) namontujte na stenu vodorovne.

2-a

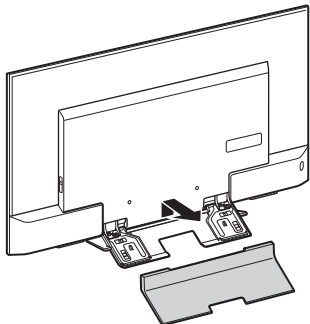


2-b



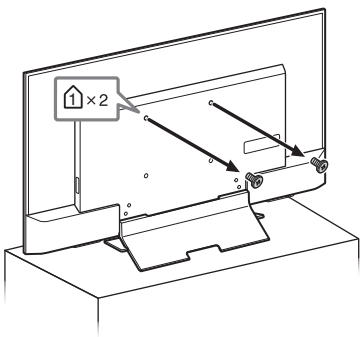
## Príprava na montáž TV prijímača

- 1 Odmontujte kryt stojana.  
(Len model KD-55XD80□□)

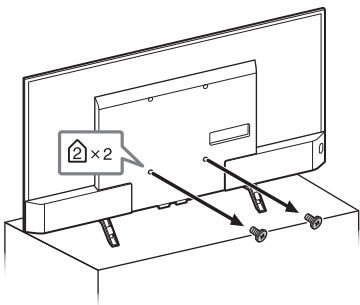


- 2 Odskrutkujte skrutky zo zadnej časti TV prijímača.

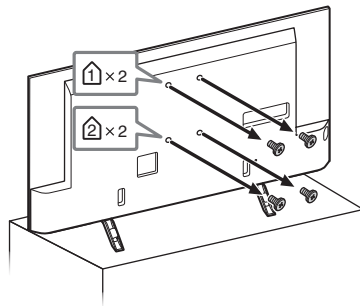
KD-55XD80□□



KD-49XD83□□/49XD80□□



KD-43XD83□□/43XD80□□

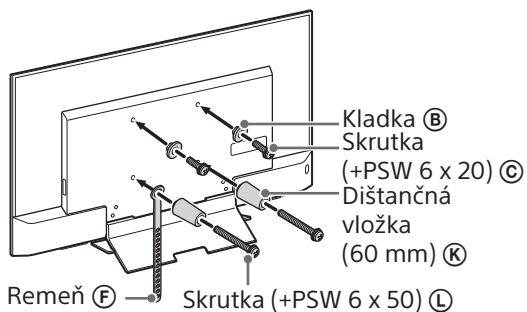


- 3 Pripevnite upevňovacie časti montážnej konzoly na stenu. Skontrolujte upevňovacie časti podľa časti „Položky dodávané s montážnou konzolou na stenu SU-WL450“ v sekcii „Kontrola dielov“ na strane 5.

### Poznámka

- Pevne zaistite upevňovacie časti pomocou skrutiek.
- Ak používate elektrický skrutkovač, krútiaci moment nastavte na približne 1,5 Nm {15 kg/cm<sup>2</sup>}.
- Nepoužívané diely odložte na bezpečnom mieste pre prípad použitia v budúcnosti. Tento návod si odložte pre prípad budúcej potreby.

### Štandardná montáž (2-a)

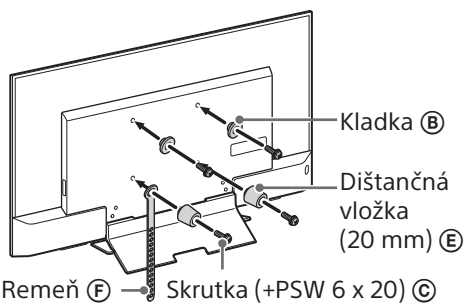
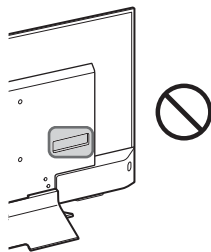


SK

## Montáž s krátkou vzdialenosťou (2-b)

### Poznámka

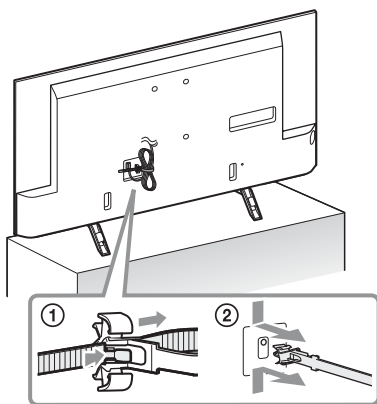
- Ak použijete tento typ montáže, nebude možné používať niektoré terminály v zadnej časti televízneho prijímača.



## 4 Pripojte k TV prijímaču potrebné káble.

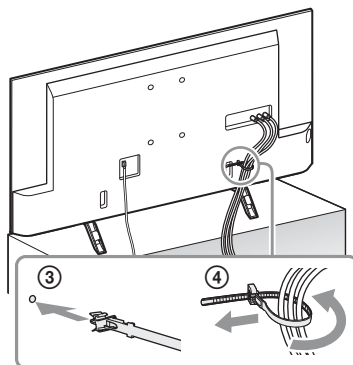
Káble pripojte pred montážou TV prijímača na stenu. Po montáži TV prijímača k nemu nebude možné káble pripojiť. Pozrite si referenčnú príručku dodanú s TV prijímačom.

## 5 Odpojte držiak káblov (dodáva sa s TV prijímačom). (len model KD-43XD83□□/43XD80□□)



## 6 Zviňte káble.

Pre modely KD-43XD83□□/43XD80□□: pripevnite držiak káblov k jednému z vnútorných otvorov.

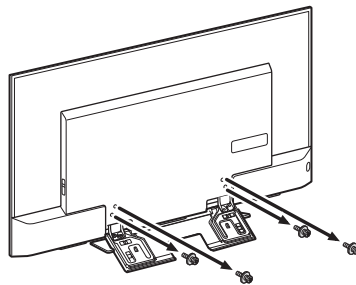


### Poznámka

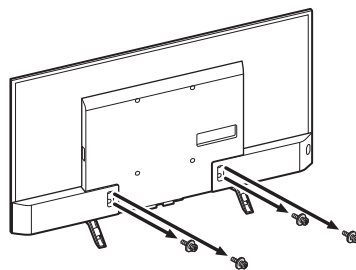
- Vytvorenie vedenia káblov v stene zverte licencovanému dodávateľovi.
- Pred montážou na stenu prepojenie káble zviažte, aby ste po nich nestúpali.

## 7 Odmontujte stolový stojan od TV prijímača.

Len model KD-55XD80□□



Okrem KD-55XD80□□



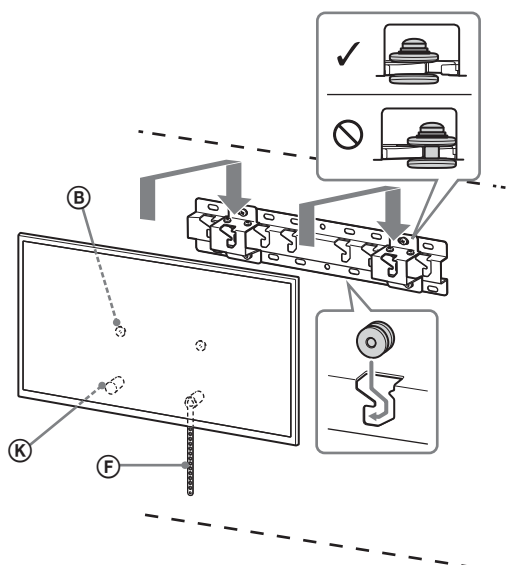


# Montáž TV prijímača na stenu

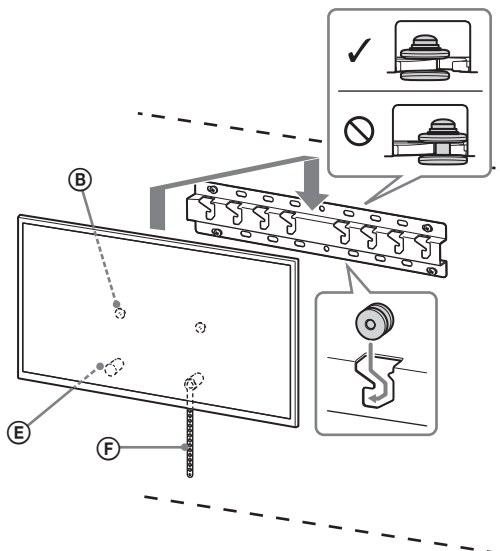
## 1 Pripevnite TV prijímač k podstavcu.

- Informácie o polohe kladiek **B** na závese na podstavci nájdete v tabuľke v kroku 3 v časti „Určenie miesta montáže“ na strane 8.
- Držte TV prijímač pevne oboma rukami a opatrne zaveste kladky **B** pripevnené na zadnej strane TV prijímača na podstavec, pričom dbajte na tvar otvorov.
- Po inštalácii TV prijímača na stenu overte, či sú kladky **B** pevne pripevnené k podstavcu alebo adaptéru podstavca.

2-a



2-b

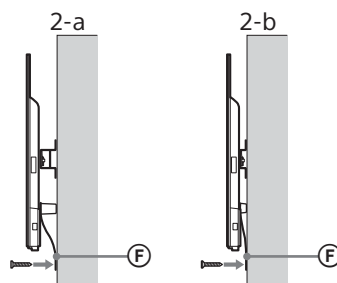


### VÝSTRAHA

- Počas prenášania musia TV prijímač držať aspoň dve osoby.

## 2 Zabráňte zdvihnutiu spodnej časti TV prijímača.

- Napnite remeň **F** a pevne ho pripevnite k stene.



- Použite skrutku s priemerom 5 mm alebo ekvivalentnú skrutku (nedodáva sa).

### Poznámka

- Pokúste sa mierne pritiahnúť spodnú časť TV prijímača k sebe, aby ste sa uistili, že sa nepohne dopredu. Ak sa pohne, nie je upevnený správne a remeň **F** je potrebné znova pevne zaistiť.

SK

## Kontrola dokončenej montáže

Skontrolujte nasledujúce:

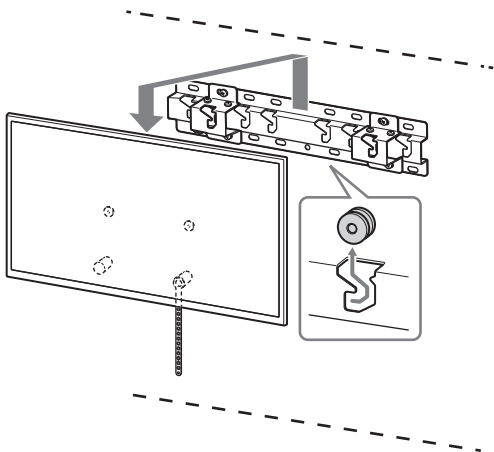
- Kladky  $\text{\textcircled{B}}$  pevne visia na podstavci alebo adaptéri podstavca.
- Káble nie sú skrútené a priškripanuté.
- Remeň  $\text{\textcircled{F}}$  je pevne napnutý.

### VÝSTRAHA

- Nesprávne umiestnenie napájacieho kábla môže zapríčiniť požiar alebo zásah elektrickým prúdom spôsobené skratom. Z dôvodu bezpečnosti nezabudnite skontrolovať kompletnosť montáže.

## Ďalšie informácie

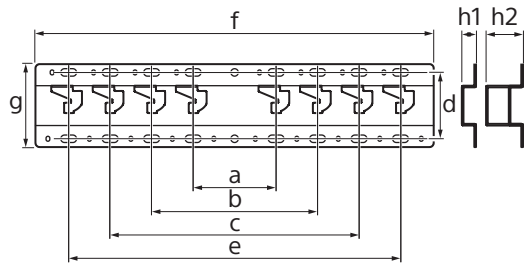
Pri demontáži TV prijímača zopakujte postup montáže v opačnom poradí.



### VÝSTRAHA

- Počas demontáže musia TV prijímač držať aspoň dve osoby.

## Technické údaje



### Rozmery: (pribl.) [mm]

- a : 100
- b : 200
- c : 300
- e : 80
- f : 400
- g : 100

h1 : 20 (prípado 2-b)

h2 : 60 (prípado 2-a)

### Hmotnosť (len podstavec): (pribl.) [kg]

0,8

Dizajn a technické údaje sa môžu zmeniť bez upozornenia.

# Informații de instalare pentru utilizarea dispozitivului de montare pe perete Sony (SU-WL450)

## Modele acceptate:

**KD-55XD80□□\*/49XD83□□\*/49XD80□□\*/43XD83□□\*/  
43XD80□□\***

\* Pentru numele modelului actual, „□□” indică numărul și/sau caracterele specifice pentru fiecare model.

### Pentru clienți

Pentru protecția produsului și din motive de siguranță, Sony recomandă insistent ca instalarea televizorului dumneavoastră să fie efectuată de distribuitori sau contractori licențiați Sony. Nu încercați să îl instalați personal.

### Pentru distribuitorii și contractorii Sony

Acordați atenție totală siguranței în timpul instalării, întreținerii periodice și examinării acestui produs.

Este necesară o experiență suficientă pentru instalarea acestui produs, mai ales pentru a determina rezistența peretelui pentru susținerea greutatei televizorului. Încredințați fixarea pe perete a acestui produs distribuitorilor sau contractorilor licențiați Sony și acordați o atenție adecvată siguranței în timpul instalării. Compania Sony nu este răspunzătoare pentru daune materiale sau vătămări corporale cauzate de manipularea inadecvată sau de instalarea necorespunzătoare.

Pentru siguranță și o instalare corespunzătoare, urmați instrucțiunile de utilizare ale dispozitivului de montare pe perete, ghidul de inițiere al televizorului și instrucțiunile din acest manual.

## Despre siguranță

Vă mulțumim pentru achiziționarea acestui produs.

### Pentru clienți

Pentru instalarea acestui produs este necesar un nivel suficient de experiență. Subcontractați instalarea distribuitorilor Sony sau unor contractori licențiați și acordați o atenție specială siguranței în timpul instalării. Sony nu este responsabilă pentru niciun fel de daune materiale sau vătămări corporale determinate de manipularea eronată sau de instalarea inadecvată, respectiv de instalarea altui produs decât cel specificat. Drepturile dvs. prevăzute de lege (dacă există) nu sunt afectate.

### Pentru distribuitorii Sony

Pentru instalarea acestui produs este necesar un nivel suficient de experiență. Citiți cu atenție acest manual de instrucțiuni, pentru a efectua operațiile de instalare în siguranță. Sony nu este responsabilă pentru niciun fel de daune materiale sau vătămări corporale determinate de manipularea eronată sau de instalarea inadecvată. Înmănați acest manual clientului după instalare.

Acest manual de instrucțiuni prezintă modul de manipulare corectă a produsului și măsurile importante de precauție necesare pentru prevenirea accidentelor. Citiți cu atenție acest manual și utilizați produsul în mod corect. Păstrați acest manual disponibil pentru consultări ulterioare.

Produsele Sony sunt proiectate ținând cont de siguranță. Totuși, dacă produsele sunt utilizate incorect, pot avea ca rezultat producerea de grave vătămări corporale prin incendiu, electrocutare, răsturnarea sau căderea produsului. Respectați măsurile de precauție pentru siguranță, în vederea evitării unor asemenea accidente.

## ATENȚIE

### Produse specificate

Acest dispozitiv de montare pe perete este proiectat în vederea utilizării cu televizoarele specificate. Pentru televizoare, citiți ghidul de referință pentru a verifica dacă dispozitivul de montare pe perete poate fi utilizat.

## Pentru clienți

### AVERTISMENT

Dacă următoarele măsuri de precauție nu sunt respectate, pot rezulta grave vătămări corporale sau deces prin incendiu, electrocutare sau căderea produsului.

### Subcontractați instalarea produsului unor contractori licențiați și țineți copiii mici la distanță în timpul instalării.

Dacă dispozitivul de montare pe perete sau televizorul nu este corect instalat, se pot produce următoarele accidente. Aveți grijă ca instalarea să fie efectuată de către contractori licențiați.

- Televizorul poate cădea și poate cauza grave vătămări corporale, precum contuzii sau o fractură.
- Dacă peretele pe care este instalat dispozitivul de montare este instabil, nu este plan sau nu este perpendicular pe podea, aparatul poate cădea și poate cauza vătămări corporale sau daune materiale. Peretele trebuie să poată să susțină o greutate de cel puțin patru ori mai mare decât cea a televizorului. (Consultați ghidul de referință al televizorului pentru a-i determina greutatea.)
- Dacă instalarea dispozitivului de montare pe perete nu este suficient de rezistentă, aparatul poate cădea și poate cauza vătămări corporale sau daune materiale.

### Contractați operațiile de montare sau demontare a televizorului unor contractori licențiați.

Dacă persoane în afara unor contractori licențiați transportă sau demontează televizorul, acesta poate cădea și poate cauza vătămări corporale sau daune materiale. Televizorul trebuie transportat sau demontat de două sau mai multe persoane.

### Nu demontați șuruburile etc. după montarea televizorului.

În caz contrar, televizorul poate cădea și poate cauza vătămări corporale sau daune materiale.

### Nu aduceți modificări componentelor dispozitivului de montare pe perete.

În caz contrar, dispozitivul de montare pe perete poate cădea și poate cauza vătămări corporale sau daune materiale.

## Nu montați alte echipamente în afara produsului specificat.

Acest dispozitiv de montare pe perete este proiectat numai în vederea utilizării cu produsul specificat. Dacă montați alt echipament decât cel specificat, acesta poate cădea sau se poate sparge și poate cauza vătămări corporale sau daune materiale.

### Nu aplicați altă sarcină în afara televizorului pe dispozitivul de montare pe perete. Nu zdruncinați televizorul stânga/dreapta, sus/jos.

În caz contrar, televizorul poate cădea și poate cauza vătămări corporale sau daune materiale.

### Nu vă rezemați pe și nu vă agățați de televizor.

Nu vă rezemați pe și nu vă agățați de televizor, deoarece acesta poate cădea și poate cauza grave vătămări corporale.

## ATENȚIE

Dacă următoarele măsuri de precauție nu sunt respectate, se pot produce vătămări corporale sau daune materiale.

### Nu manipulați produsul cu forță excesivă în timpul curățării sau al întreținerii.

Nu aplicați o forță excesivă în partea de sus a televizorului. În caz contrar, televizorul poate cădea și poate cauza vătămări corporale sau daune materiale.

## Măsuri de precauție

- Dacă utilizați timp îndelungat televizorul instalat pe dispozitivul de montare pe perete, peretele din spatele sau de deasupra televizorului se poate decolora, iar tapetul se poate desprinde, în funcție de materialul peretelui.
- Dacă dispozitivul de montare pe perete este demontat după instalarea sa pe perete, în perete vor rămâne orificiile pentru șuruburi.
- Nu utilizați dispozitivul de montare pe perete într-o locație unde este supus la vibrații mecanice.

## Instalarea dispozitivului de montare pe perete

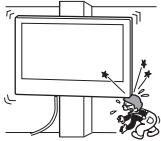
Pentru distribuitorii Sony

### AVERTISMENT

Următoarele instrucțiuni sunt destinate numai distribuitorilor Sony. Citiți măsurile de precauție descrise mai sus și acordați o atenție specială siguranței în timpul instalării, al întreținerii și verificării acestui produs.

## Nu instalați dispozitivul de montare pe perete pe suprafețe ale peretelui unde colțurile sau părțile laterale ale televizorului ies în afară față de suprafața peretelui.

Nu instalați dispozitivul de montare pe perete pe suprafețe ale peretelui precum un stâlp, unde colțurile sau părțile laterale ale televizorului ies în afară față de suprafața peretelui. Dacă se întâmplă ca o persoană sau un obiect să lovească partea sau colțul ieșit în afară al televizorului, acest lucru poate cauza vătămări corporale sau daune materiale.

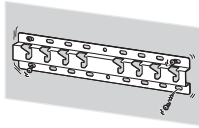


## Nu instalați televizorul deasupra unei instalații de aer condiționat sau dedesubtul acesteia.

Dacă televizorul este expus timp îndelungat la scurgeri de apă sau la curenți de aer proveniți de la o instalație de aer condiționat, se pot produce incendii, șocuri electrice sau defecțiuni ale televizorului.

## Instalați dispozitivul de montare pe perete în condiții de siguranță, urmând indicațiile din acest manual de instrucțiuni.

Dacă oricare dintre șuruburile sunt slăbite sau cad, dispozitivul de montare pe perete poate cădea și poate cauza vătămări corporale sau daune materiale. Utilizați șuruburile corespunzătoare pentru materialul peretelui și instalați aparatul în condiții de siguranță, utilizând patru sau mai multe șuruburi cu diametrul de 8 mm (sau echivalent).



Utilizați corespunzător șuruburile și piesele de montaj furnizate, urmând instrucțiunile din acest manual de instrucțiuni. Dacă utilizați elemente înlocuitoare, televizorul poate cădea și poate cauza vătămări corporale sau deteriorarea aparatului.

## Asamblați dispozitivul de montare pe perete în mod corespunzător, urmând procedura explicată în acest manual de instrucțiuni.

Dacă oricare dintre șuruburile sunt slăbite sau cad, televizorul poate cădea și poate cauza vătămări corporale sau deteriorarea aparatului.

## Strângeți adecvat șuruburile în poziția indicată.

În caz contrar, televizorul poate cădea și poate cauza vătămări corporale sau deteriorarea aparatului.

## Nu supuneți televizorul la șocuri pe durata instalării.

Dacă televizorul este expus la șocuri, poate cădea sau se poate sparge. Aceasta poate cauza vătămări corporale.

## Instalați televizorul pe un perete plan și perpendicular pe podea.

În caz contrar, televizorul poate cădea și poate cauza vătămări corporale.

## După instalarea corectă a televizorului, fixați cablurile în mod corespunzător.

Dacă oameni sau obiecte se încurcă în cabluri, aceasta poate duce la vătămări corporale sau la deteriorarea televizorului.

## Nu permiteți ciupirea/perforarea cablului de alimentare în curent alternativ și nici a cablului de conexiune.

În cazul în care cablul de alimentare în curent alternativ sau cablul de conexiune sunt ciupite/perforate între aparat și perete sau sunt îndoite sau răsucite forțat, conductorii interni pot deveni expuși și pot cauza un scurtcircuit sau o întrerupere a alimentării cu energie electrică. Aceasta poate determina incendii sau un șoc electric.



## Șuruburile necesare pentru fixarea dispozitivului de montare pe perete nu sunt furnizate.

Utilizați șuruburile corespunzătoare pentru materialul și structura peretelui la fixarea dispozitivului de montare pe perete.

## Instalarea televizorului pe perete

În funcție de televizor, este posibil ca procedura de instalare să difere. Utilizați dispozitivul de montare pe perete SU-WL450 pentru instalarea televizorului pe perete.

### Notă

- Depozitați șuruburile demontate într-o locație sigură, fără a le lăsa la îndemâna copiilor.

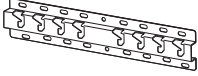













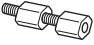



## Pregătirea pentru instalare

- Trebuie să aveți ghidul de referință al televizorului la îndemână înainte de instalare.
- Înainte de asamblare, pregătiți o șurubelniță tip Phillips adecvată șuruburilor.
- Confirmați poziția de instalare a televizorului.
- Pregătiți patru sau mai multe șuruburi cu diametrul de 8 mm și un șurub cu diametrul de 5 mm sau echivalent (nu sunt furnizate). Selectați șuruburi corespunzătoare pentru materialul peretelui.

## Verificarea pieselor

### Furnizat cu SU-WL450

- Verificați dacă sunt incluse toate piesele.

<b>A</b> Bază (20) (1) 	<b>B</b> Troliu (2) 
<b>C</b> PSW 6x20 (4) 	<b>D</b> PSW 4x20 cu bucșă (2) 
<b>E</b> Distanțier (20) (2) 	<b>F</b> Curea (1) 
<b>G</b> Bucșă (20) (M4) (2) 	<b>H</b> PSW 4x20 (2) 
<b>I</b> Adaptor bază (2) 	<b>J</b> PSW 4x10 (8) 
<b>K</b> Distanțier (60) (2) 	<b>L</b> PSW 6x50 (2) 
<b>M</b> Bucșă (M4) (2) 	<b>N</b> PSW 4x50 (2) 
<b>O</b> Dispozitiv pentru montare pe perete (S) (2) 	<b>P</b> Distanțier (2) 
<b>Q</b> Șaibă (1) 	<b>R</b> PSW 5x12 (1) 

### Furnizat cu televizorul (atașate în partea din spate)

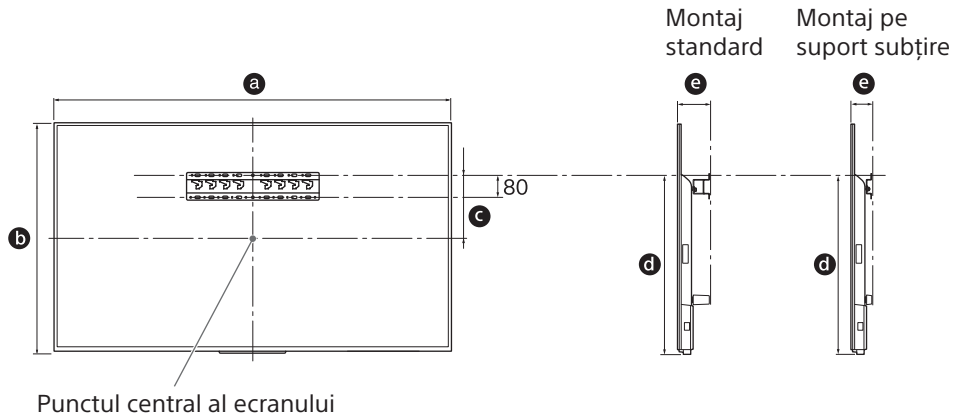
Suport pentru cabluri (1) 
--

# Stabilirea locației de instalare

## 1 Stabiliți locația de instalare.

Asigurați-vă că peretele dispune de spațiu suficient pentru televizor și că poate susține o greutate de cel puțin patru ori mai mare decât cea a televizorului.

Consultați tabelul următor pentru instalarea televizorului pe perete. Consultați ghidul de referință al televizorului pentru a determina greutatea acestuia.



Unitate: mm

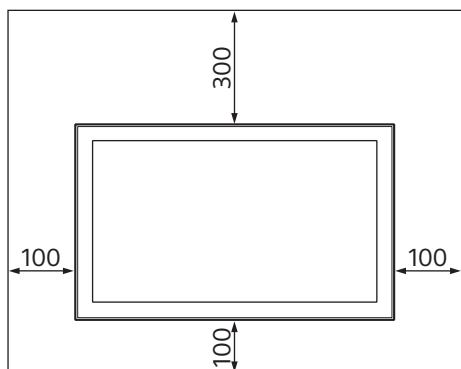
Numele modelului KD-	Dimensiunea ecranului		Dimensiunea centrală a ecranului	Lungime pentru montaj		
	a	b	c	d	e	
					Montaj standard	Montaj pe suport subțire
55XD80□□	1.231	717	129	494	102	60
49XD83□□ 49XD80□□	1.093	639	181	508	102	60
43XD83□□	960	564	209	498	108	66
43XD80□□	960	564	209	498	107	65

### Notă

- Este posibil ca valorile din tabel să fie ușor diferite, în funcție de instalare.

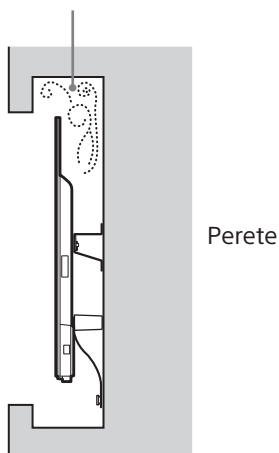
Lăsați un spațiu liber suficient între televizor și tavan și părțile proeminente ale peretelui, așa cum se arată mai jos.

Unitate: mm



- Pentru asigurarea unei ventilații adecvate și pentru a preveni acumularea de murdărie sau praf:
  - Nu amplasați televizorul pe podea, nu îl instalați în poziție răsturnată, cu spatele sau pe o parte.
  - Nu amplasați televizorul pe un raft, covor, pat sau într-un dulap.
  - Nu acoperiți televizorul cu un material, precum perdele, ori obiecte precum ziare etc.
  - Nu instalați televizorul așa cum se arată mai jos.

Circulația aerului este blocată.



#### Notă

- Dacă intenționați să orientați cablurile prin perete, realizați un orificiu în perete pentru introducerea cablurilor înainte de a începe instalarea. Pentru a preveni ciupirea/perforarea cablurilor, pregătiți un orificiu în perete undeva în afara perimetrului bazei (20) (A), adaptor bază (1) și a distanțierului (20) (E), a distanțierului (60) (K).

2 Selectați stilul de montare pe perete. Distanța de la partea din spate a televizorului la perete poate fi selectată conform imaginii de mai jos.

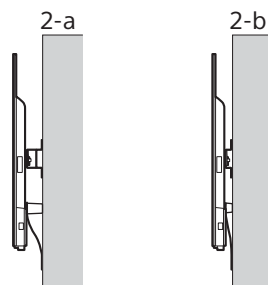
**2-a** Suport standard

**2-b** Suport subțire

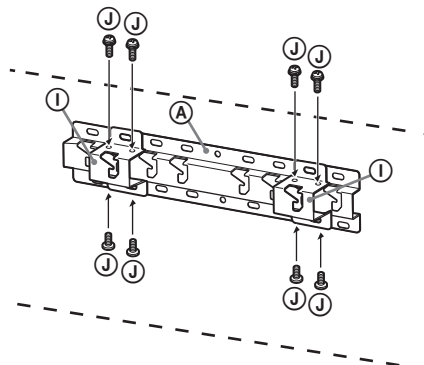
Consultați pasul 1 din tabel.

#### AVERTISMENT

- Când se selectează 2-b, accesul la terminalul din spate este limitat.



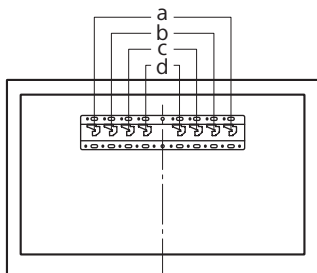
Montați adaptorul de bază (1) cu ajutorul șurubului (PSW 4x10) (J) pe baza (20) (A) atunci când selectați 2-a.





**3** Consultați tabelul de mai jos privind locația de montare a adaptorului de bază. Dacă se selectează 2-b, omiteți acest pas.

Numele modelului KD-	Cârlig locație
55XD80□□ 49XD83□□ 49XD80□□	c
43XD83□□ 43XD80□□	d



**4** Stabiliți pozițiile șuruburilor pentru instalarea bazei (20) (A).

Consultați specificațiile de la pagina 12.

**Când selectați 2-a, utilizați pozițiile găurilor de la adaptorul de bază (I).**

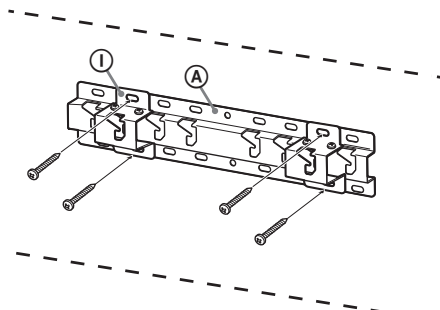
#### AVERTISMENT

- Peretele pe care va fi montat televizorul trebuie să poată susține o greutate de cel puțin **patru ori** mai mare decât cea a televizorului (Consultați ghidul de referință al televizorului pentru a-i determina greutatea.).
- Determinați rezistența peretelui pe care urmează a fi montat televizorul. Consolidați în măsură suficientă peretele, dacă este necesar.

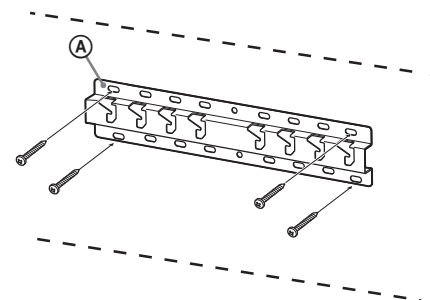
## Instalarea bazei pe perete

- Utilizați patru sau mai multe șuruburi cu diametrul de 8 mm sau echivalent (nu sunt furnizate).
- **Montați patru șuruburi la orificiile adaptorului de bază (I) Cu baza (20) (A) (numai 2-a).**
- Instalați baza (20) (A) orizontal pe perete.

2-a

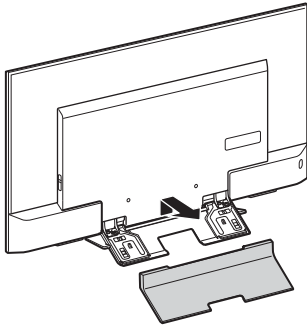


2-b



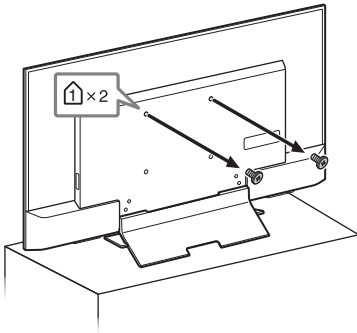
## Pregătirea instalării televizorului

- 1 Scoateți capacul suportului.  
(numai KD-55XD80□□)

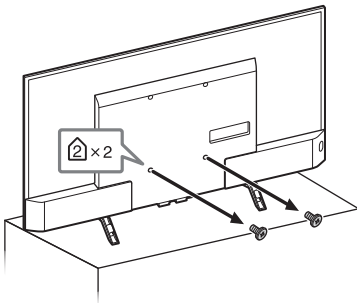


- 2 Demontați șuruburile din partea din spate a televizorului.

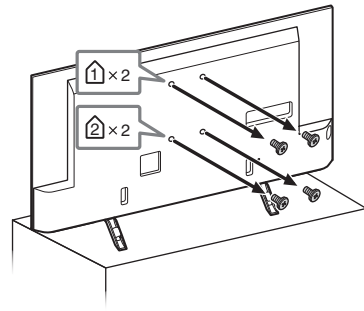
KD-55XD80□□



KD-49XD83□□/49XD80□□



KD-43XD83□□/43XD80□□

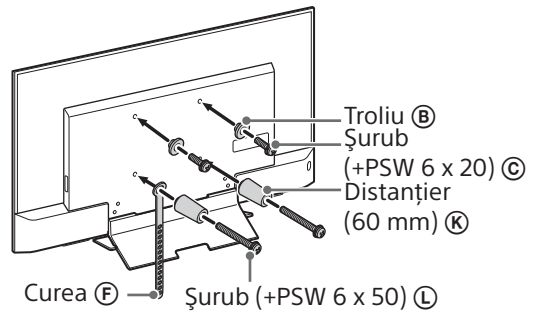


- 3 Montați piesele de fixare pentru dispozitivul de montare pe perete. Verificați piesele de fixare consultând „Furnizat cu SU-WL450” din „Verificarea pieselor” de la pagina 5.

### Notă

- Fixați bine piesele de prindere folosind șububuri.
- Când utilizați o șurubelniță electrică, setați cuplul la aproximativ 1,5 N·m {15 kgf·cm}.
- Depozitați piesele nefolosite într-o locație sigură, pentru utilizare ulterioară. Păstrați acest manual pentru consultare ulterioară.

### Montaj standard (2-a)

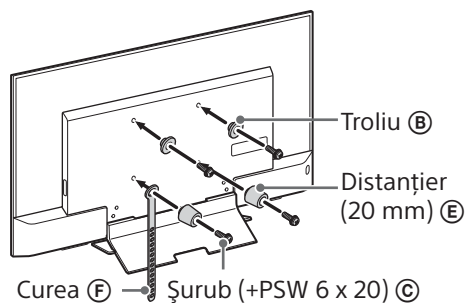
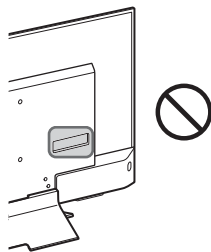


RO

## Montaj pe suport subțire (2-b)

### Notă

- Nu puteți utiliza unele dintre terminalele din partea din spate a televizorului când folosiți acest stil de montaj.

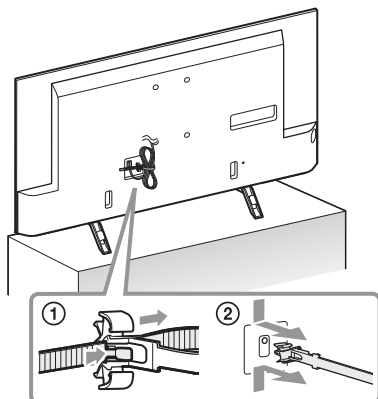


## 4 Conectați la televizor cablul necesar sau cablurile necesare.

Conectați cablurile înainte de instalarea televizorului pe perete. Nu veți putea conecta cablurile când televizorul este instalat.

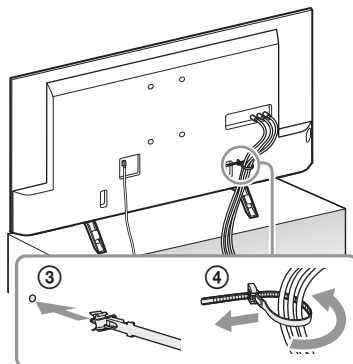
Consultați ghidul de referință furnizat cu televizorul.

## 5 Desprindeți suportul pentru cabluri (furnizat cu televizorul). (numai KD-43XD83□□/43XD80□□)



## 6 Prindeți cablurile într-un mănunchi.

Pentru KD-43XD83□□/43XD80□□, montați suportul pentru cabluri la unul dintre orificiile interioare.

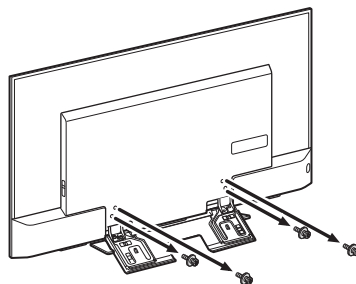


### Notă

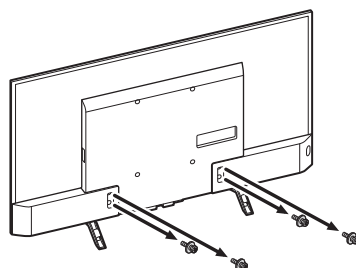
- Subcontractați instalarea cablurilor în perete unui contractor licențiat.
- Strângeți cablurile într-un mănunchi pentru a nu călca pe acestea înainte de montarea pe perete.

## 7 Demontați suportul de masă de la televizor.

Numai KD-55XD80□□



Cu excepția KD-55XD80□□

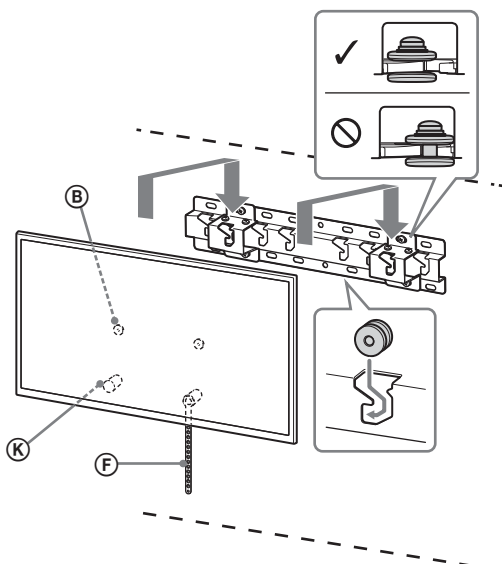


# Instalarea televizorului pe perete

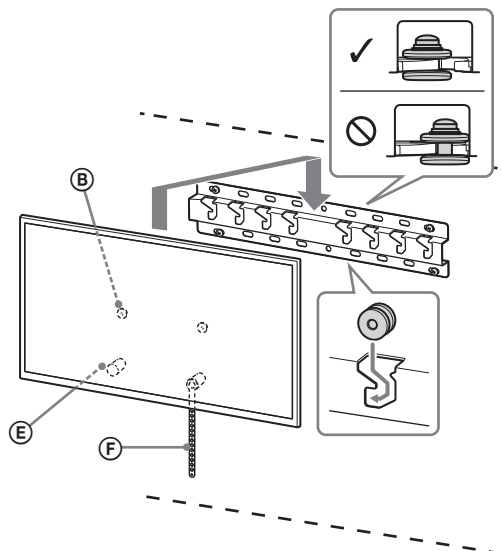
## 1 Instalați televizorul pe bază.

- Pentru locația trolurilor **B** pentru suspendarea bazei, consultați tabelul de la pasul 3 din „Stabilirea locației de instalare” de la pagina 8.
- Țineți bine televizorul cu ambele mâini și trageți cu grijă trolurile **B** atașate în partea din spate a televizorului de bază, având grijă să respectați formele orificiilor.
- După instalarea televizorului pe perete, verificați că roțile **B** sunt ferm fixate pe bază sau pe adaptorul de bază.

2-a



2-b

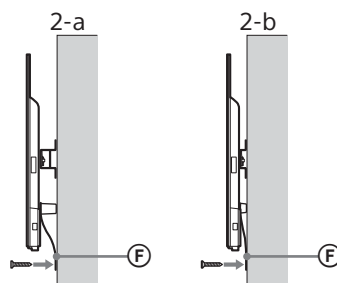


### AVERTISMENT

- Este necesar ca, în timpul transportului, televizorul să fie susținut de două sau mai multe persoane.

## 2 Prevenirea alunecării părții de jos a televizorului.

- Luați partea netensionată a curea **F** și fixați-o ferm pe perete.



- Utilizați un șurub cu diametrul de 5 mm sau echivalent (nu este furnizat).

### Notă

- Încercați să trageți ușor partea de jos a televizorului spre dumneavoastră, pentru a vă asigura că nu se deplasează înainte. Dacă survine o mișcare, aparatul nu este corect fixat, iar curea **F** trebuie fixată ferm din nou.

RO

## Confirmarea finalizării instalării

Verificați următoarele aspecte.

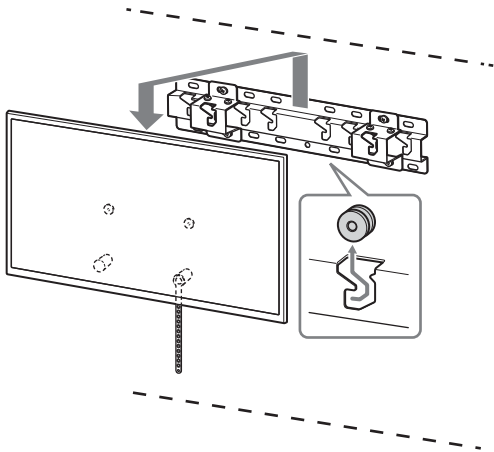
- Roțile **(B)** sunt suspendate ferm pe bază sau pe adaptorul de bază.
- Firul și cablul nu sunt răsucite sau ciupite/perforate.
- Curea **(F)** este strânsă, fără porțiuni netensionate.

### AVERTISMENT

- Amplasarea incorectă a cablului de alimentare în curent alternativ etc. poate cauza incendiu sau șocuri electrice prin intermediul unui scurtcircuit. Din motive de siguranță, verificați finalizarea instalării.

## Alte informații

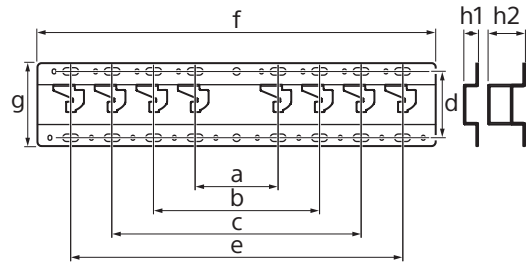
La demontarea televizorului, parcurgeți procedura de instalare în sens invers.



### AVERTISMENT

- Este necesar ca, în timpul demontării, televizorul să fie susținut de două sau mai multe persoane.

## Specificații



### Dimensiuni: (aprox.) [mm]

- a : 100
- b : 200
- c : 300
- d : 80
- e : 400
- f : 480
- g : 100

h1 : 20 (casetă 2-b)

h2 : 60 (casetă 2-a)

### Greutate (numai baza): (aprox.) [kg]

0,8

Structura și specificațiile se pot modifica fără preaviz.

# Информация за монтаж при използване на конзола за закрепване към стена на Sony (SU-WL450)

## Поддържани модели:

**KD-55XD80□□\*/49XD83□□\*/49XD80□□\*/43XD83□□\*/  
43XD80□□\***

\* В действителните имена на моделите "□□" означава номера и/или характеристики, специфични за всеки модел.

### До потребителите

От съображения за безопасност и за защита на продукта, Sony препоръчва монтажът на вашия телевизор да бъде извършен от доставчици или подизпълнители на Sony. Не се опитвайте да го монтирате сами.

### До доставчиците и подизпълнителите на Sony

Подходете с подчертано внимание към безопасността по време на монтажа, периодичната поддръжка и огледа на този продукт.

За монтажа на този продукт се изисква значителен опит, особено за определяне на здравината на стената, която трябва да издържи тежестта на телевизора. На всяка цена поверете на доставчици на Sony или лицензирани подизпълнители закрепването на този продукт към стената и по време на монтажа обърнете особено внимание на мерките за безопасност. Sony не носи отговорност за повреди или наранявания, причинени от неправилни манипулации или монтаж.

С оглед на безопасността и правилно изпълнение на монтажа, спазвайте ръководството за употреба на конзолата за закрепване към стена, краткото ръководство на телевизора и указанията в това ръководство.

## Относно безопасността

Благодарим ви за покупката на този продукт.

### Към клиентите

За монтирането на продукта се изисква опит. Възложете монтажа на търговец на Sony или лицензирани изпълнители и обърнете специално внимание на безопасността по време на монтажа. Sony не носи отговорност за повреди или наранявания, причинени от неправилна употреба или монтаж, или от монтаж на продукт, различен от указания. Вашите законни права (ако има такива) не са засегнати.

### Към търговците на Sony

За монтирането на продукта се изисква опит. Прочетете внимателно това ръководство, за да извършите безопасно монтажните дейности. Sony не носи отговорност за повреди или наранявания, причинени от неправилна употреба или монтаж. Предайте това ръководство на клиента след монтажа.

Това ръководство показва правилния начин за работа с продукта и важните предпазни мерки, които трябва да се предприемат за да се избегнат злополуки. Прочетете внимателно това ръководство и използвайте продукта правилно. Запазете ръководството за бъдещи справки.

Продуктите на Sony са проектирани с мисъл за безопасността. Но ако използвате продукта неправилно, това може да доведе до сериозно нараняване вследствие на пожар, електрически удар, падане или изпускане на продукта. Спазвайте мерките за безопасност за предотвратяване на такива инциденти.

## ВНИМАНИЕ

### Уточняване на продуктите

Тази конзола за монтаж на стена е проектирана за използване само с указаните телевизори. Вижте справочните ръководства за телевизорите, за да проверите дали може да се използва тази конзола за закрепване към стена.

## Към клиентите

### ПРЕДУПРЕЖДЕНИЕ

Ако не се спазват следните предпазни мерки, това може да доведе до сериозно нараняване или смърт от пожар, електрически удар или падане на продукта.

### Възложете монтажа на лицензирани изпълнители и дръжте децата настрана по време на монтажа.

Ако конзолата за монтаж на стена не е монтирана правилно, може да възникнат следните инциденти. Уверете се, че монтажът се извършва от лицензирани изпълнители.

- Телевизорът може да падне и да предизвика сериозно нараняване, като контузия или счупване.
- Ако стената, на която е монтирана конзолата за монтаж на стена, е нестабилна, неравна или не е перпендикулярна на пода, конструкцията може да падне и да причини нараняване или повреда на имущество. Стената трябва да е способна да издържи тежест, поне четирикратно превишаваща тази на телевизора. (Вижте справочното ръководство на телевизора относно теглото му.)
- Ако монтажът на конзолата за монтаж на стена не е достатъчно здрав, конструкцията може да падне и да причини нараняване или повреда на имущество.

### Уверете се, че сте възложили преместването или демонтажа на телевизора на лицензирани изпълнители.

Ако други лица, освен лицензирани изпълнители транспортират или демонтират телевизора, той може да падне и да причини нараняване или повреда на имущество. Осигурете две или повече лица за носене или демонтаж на телевизора.

### Не сваляйте винтове и други след монтажа на телевизора.

Ако го направите, телевизорът може да падне и да причини нараняване или повреда на имущество.

### Не променяйте частите на конзолата за монтаж на стена.

Ако го направите, конзолата за монтаж на стена може да падне и да причини нараняване или повреда на имущество.

### Не монтирайте друго оборудване, освен указания продукт.

Тази конзола за монтаж на стена е проектирана за използване само с указания продукт. Ако монтирате оборудване, различно от указаното, то може да падне или да се счупи и да причини нараняване или повреда на имущество.

### Не подлагайте конзолата за монтаж на стена на никакъв друг товар, освен на този на телевизора. Не клатете телевизора наляво/надясно, нагоре/надолу.

Ако го направите, телевизорът може да падне и да причини нараняване или повреда на имущество.

### Не се облягайте и не се висете на телевизора.

Не се облягайте и не увисвайте от телевизора, защото може да падне и да причини сериозно нараняване.

## ВНИМАНИЕ

Ако следните предпазни мерки не се спазват, може да възникне нараняване или повреда на имуществото.

### Не третирайте продукта с прекалена сила по време на почистване или поддръжка.

Не прилагайте прекалена сила върху горната част на телевизора. Ако го направите, телевизорът може да падне и да причини нараняване или повреда на имущество.

## Предпазни мерки

- Ако дълго време използвате телевизор, монтиран на конзола за монтаж на стена, стената зад или над него може да се обезцвети или тапетът да се разлепи, в зависимост от материала на стената.
- Ако конзолата за монтаж на стена бъде свалена от стената след монтажа, ще останат отвори от винтовете.
- Не използвайте конзолата за монтаж на стена на място, където може да бъде подложена на механични вибрации.

## Монтаж на конзола за монтаж на стена

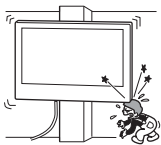
### Към търговците на Sony

#### ПРЕДУПРЕЖДЕНИЕ

Следните инструкции са само за търговците на Sony. Прочетете мерките за безопасност, описани по-горе и обърнете специално внимание на безопасността по време на монтажа, поддръжката и инспекцията на продукта.

### Не монтирайте конзолата за монтаж на стена на стенни повърхности, където ъглите или страните на телевизора се издават настрана от повърхността на стената.

Не монтирайте конзолата за монтаж на стена на стенни повърхности, например колона, където ъглите или страните на телевизора се издават настрана от повърхността на стената. Ако лице или предмет удари издадения ъгъл или страна на телевизора, това може да причини нараняване или повреда на имущество.

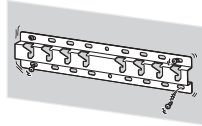


### Не монтирайте телевизора над или под климатик.

Ако телевизорът е изложен продължително на течове или въздушно течение от климатик, това може да предизвика пожар, електрически удар или неизправност на телевизора.

### Монтирайте здраво конзолата за монтаж на стена към стената като следвате инструкциите в това ръководство за работа.

Ако някой от винтовете се разхлаби или падне, конзолата за монтаж на стена може да падне и да причини нараняване или повреда на имущество. Използвайте подходящи за материала на стената винтове и монтирайте конструкцията здраво като използвате четири или повече винта с диаметър 8 mm (или еквивалентни).



Използвайте правилно доставените винтове и окачващи части като следвате инструкциите в това ръководство за работа. Ако използвате заместващи елементи, телевизорът може да падне и да причини телесна повреда или да се повреди.

### Уверете се, че сглобявате конзолата правилно като следвате процедурата, описана в това ръководство за работа.

Ако някой от винтовете се разхлаби или падне, телевизорът може да падне и да причини телесна повреда или да се повреди.

### Затегнете здраво винтовете в указаното положение.

Ако не го направите, телевизорът може да падне и да причини телесна повреда или да се повреди.

### Внимавайте да не ударите телевизора по време на монтажа.

Ако телевизорът бъде подложен на удар, той може да падне или да се счупи. Това може да доведе до нараняване.

### Монтирайте телевизора на стена, която е перпендикулярна и равна.

Ако не направите това, телевизорът може да падне и да причини нараняване.

### След правилния монтаж на телевизора, обезопасете правилно кабелите.

Ако хора или предмети се заплетат в кабелите, това може да причини нараняване или повреда на телевизора.

### Не допускайте притискане на захранващия кабел или на свързващия кабел.

Ако захранващият кабел или свързващият кабел бъдат притиснати между конструкцията и стената или ако бъдат огънати или усукани със сила, вътрешните проводници може да се оголят и да причинят късо съединение или електрически удар. Това може да причини пожар или електрически удар.



### Винтовете, необходими за закрепване на конзолата за монтаж на стена към стената, не са включени в комплекта.

Използвайте подходящи винтове според материала на стената и конструкцията, когато монтирате конзолата за монтаж на стена.



## Монтаж на телевизора на стената

Процедурата за монтаж е различна според телевизора. Използвайте конзолата за закрепване към стена SU-WL450, за да монтирате телевизора на стената.

### Забележка

- Не пропускайте да съхраните свалените винтове на сигурно място, като ги пазите от деца.

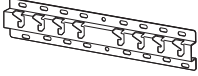













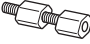



## Подготовка за монтаж

- Преди монтажа поставете наблизо справочното ръководство на телевизора.
- Преди сглобяването осигурете отвертка Phillips, която отговаря на болтовете.
- Проверете положението за монтаж на телевизора.
- Пригответе четири или повече винта с диаметър 8 mm и един винт с диаметър 5 mm или еквивалентни (не са включени в комплекта). Изберете винтове, подходящи за материала на стената.

## Проверка на частите

### Доставено с SU-WL450

- Проверете дали всички части са налични.

<b>A</b> Основа (20) (1) 	<b>B</b> Макара (2) 
<b>C</b> PSW 6x20 (4) 	<b>D</b> PSW 4x20 с втулка (2) 
<b>E</b> Дистанционна втулка (20) (2) 	<b>F</b> Колан (1) 
<b>G</b> Втулка (20) (M4) (2) 	<b>H</b> PSW 4x20 (2) 
<b>I</b> Адаптер на основата (2) 	<b>J</b> PSW 4x10 (8) 
<b>K</b> Дистанционна втулка (60) (2) 	<b>L</b> PSW 6x50 (2) 
<b>M</b> Втулка (M4) (2) 	<b>N</b> PSW 4x50 (2) 
<b>O</b> Приставка за монтаж на стена (S) (2) 	<b>P</b> Дистанционна втулка (2) 
<b>Q</b> Шайба (1) 	<b>R</b> PSW 5x12 (1) 

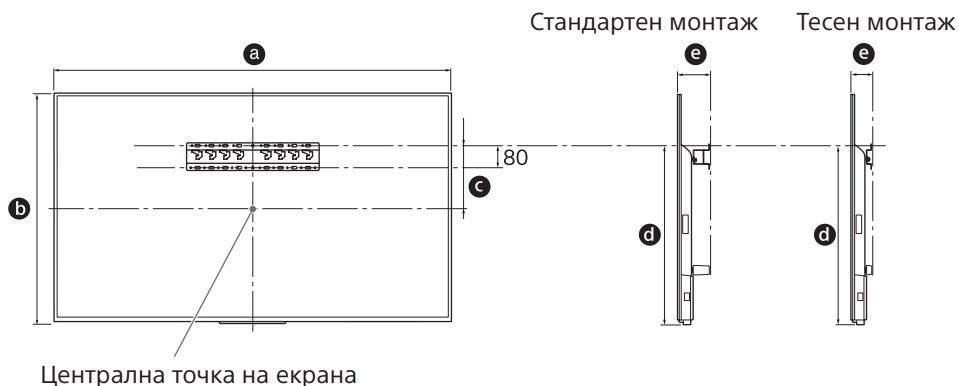
### Доставено с телевизора (закачено за задната страна)

Кабелен държач (1) 
---

# Определяне на мястото на монтаж

## 1 Изберете мястото на монтаж.

Уверете се, че на стената има достатъчно място за телевизора и че тя е способна да издържи тежест, поне четирикратно превишаваща тази на телевизора.  
Вижте следната таблица относно монтажа на телевизора на стената. Вижте справочното ръководство на телевизора относно теглото му.



Мерни единици: mm

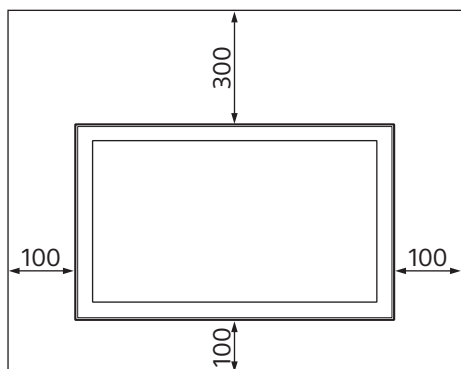
Име на модел KD-	Размери на екрана		Размер на центъра на екрана	Дължина на монтаж		
	a	b	c	d	Стандартен монтаж	Тесен монтаж
55XD80□□	1 231	717	129	494	102	60
49XD83□□ 49XD80□□	1 093	639	181	508	102	60
43XD83□□	960	564	209	498	108	66
43XD80□□	960	564	209	498	107	65

### Забележка

- Числата в таблицата може леко да се различават в зависимост от начина на извършване на монтажа.

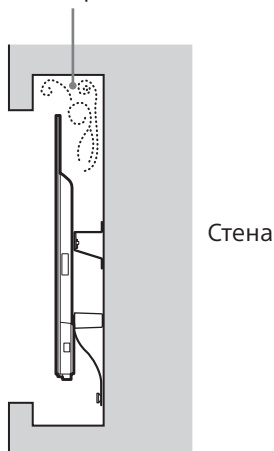
Оставете подходящо разстояние между телевизора, тавана и издадените части на стената, както е показано по-долу.

Мерни единици: mm



- За да постигнете правилна вентилация и да предотвратите събирането на прах или мръсотия:
  - Не слагайте телевизора да лежи на плоската си страна, не го монтирайте обърнат с горния край надолу, наопаки или странично.
  - Не слагайте телевизора върху рафтове, килим, легло или в дрешник.
  - Не покривайте телевизора с тъкан, като например пердета, или с предмети като вестници и др.
  - Не монтирайте телевизора, както е показано по-долу.

Движението на въздуха е блокирано.



### Забележка

- Ако възнамерявате да прекарате кабелите в стената, направете отвор в стената, за да вмъкнете кабелите преди началото на монтажа. За да предотвратите защипване на кабелите, направете отвор в стената извън периметъра на основата (20) **A**, адаптер на основата **I** и дистанционната втулка (20) **E**, дистанционната втулка (60) **K**.

**2** Изберете вид монтаж на стена. Разстоянието от задната част на телевизора до стената може да се избере, както е показано по-долу.

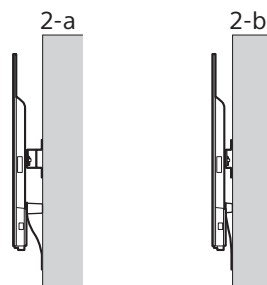
**2-a** Стандартен монтаж

**2-b** Тесен монтаж

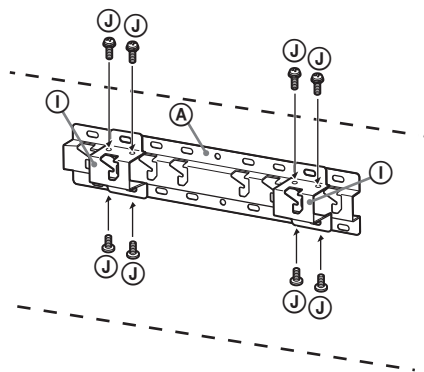
Вижте таблицата от стъпка 1.

### ПРЕДУПРЕЖДЕНИЕ

- Когато е избрано 2-b, достъпът до задните клеми е ограничен.

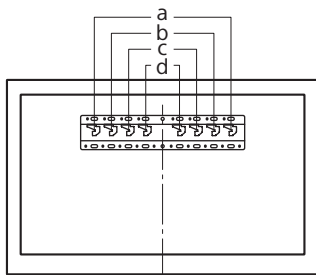


Монтирайте адаптера на основата **I** като използвате винт (PSW 4x10) **J** към основата (20) **A**, ако сте избрали 2-a.



- 3 Вижте таблицата по-долу за местоположението на адаптерния фитинг за основата. Ако сте избрали 2-b, пропуснете тази стъпка.

Име на модел KD-	Местоположение на куката
55XD80□□	c
49XD83□□	
49XD80□□	
43XD83□□	d
43XD80□□	



- 4 Определете местата на винтовете за монтаж на основата (20) (A).

Вижте спецификациите на страница 12.

Когато изберете 2-a, използвайте следните позиции на отворите за адаптера на основата (I).

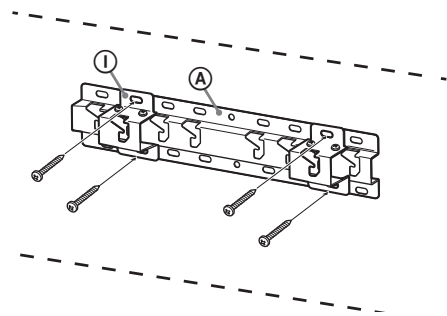
#### ПРЕДУПРЕЖДЕНИЕ

- Стената, на която ще бъде монтиран телевизорът, трябва да може да поддържа най-малко **четири пъти** теглото му (Вижте справочното ръководство на телевизора относно теглото му.).
- Определете здравината на стената, на която ще бъде монтиран телевизорът. Ако е необходимо, усилете стената достатъчно.

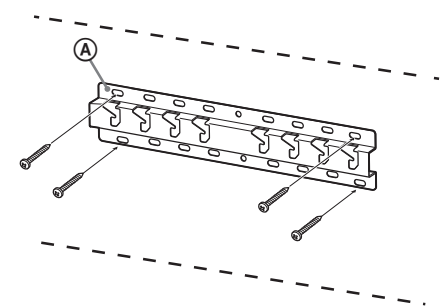
## Монтаж на основата на стената

- Използвайте четири или повече винта с диаметър 8 mm или еквивалентни (не са доставени).
- **Закрепете четирите винта в отворите на адаптера на основата (I) с основата (20) (A) (само 2-a).**
- Монтирайте основата (20) (A) хоризонтално на стената.

2-a

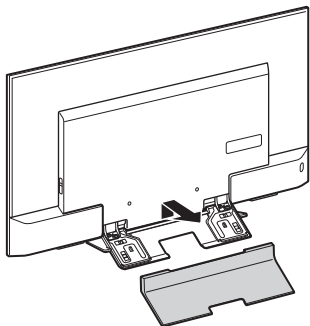


2-b



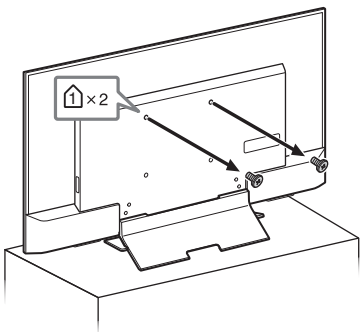
## Подготовка за монтаж на телевизора

- 1** Отстранете капака на стойката.  
(само KD-55XD80□□)

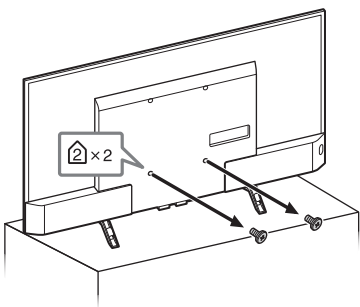


- 2** Свалете винтовете от задната страна на телевизора.

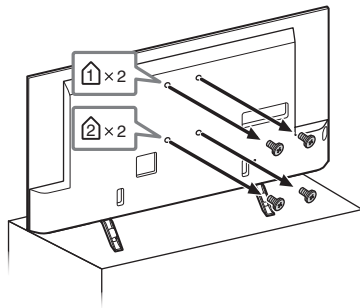
KD-55XD80□□



KD-49XD83□□/49XD80□□



KD-43XD83□□/43XD80□□

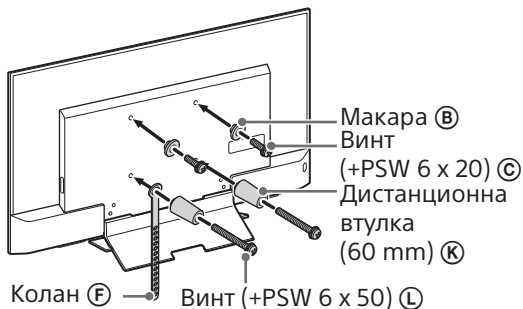


- 3** Прикрепете окачващите части за конзолата за закрепване към стена. Проверете частите за окачване, като сравните с "Доставено с SU-WL450" в "Проверка на частите" на страница 5.

### Забележка

- Закрепете частите за окачване с помощта на винтове.
- Когато използвате електрическа отвертка, задайте настройката на въртящия момент приблизително на 1,5 N·m {15 kgf·cm}.
- Задължително съхранявайте неизползваните части на сигурно място за бъдеща употреба. Запазете това ръководство за бъдеща справка.

### Стандартен монтаж (2-а)

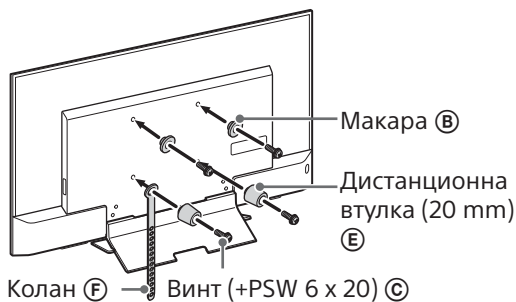
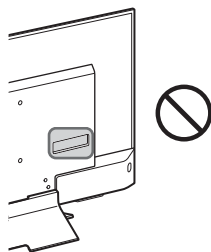


BG

## Тесен монтаж (2-b)

### Забележка

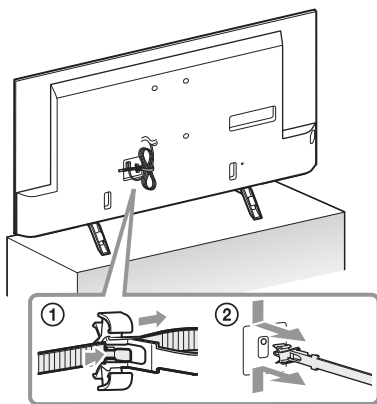
- При този стил на монтаж не можете да използвате някои от клемите отзад на телевизора.



## 4 Свържете необходимите кабели към телевизора.

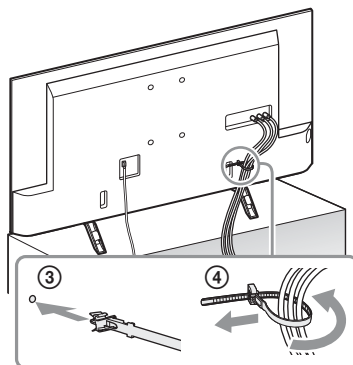
Уверете се, че сте свързали кабелите преди да монтирате телевизора на стената. Няма да можете да ги свържете, след като телевизорът е монтиран. Вижте справочното ръководство, доставено с вашия телевизор.

## 5 Разкачете кабелния държач (доставен с телевизора). (само KD-43XD83□□/43XD80□□)



## 6 Съберете кабелите.

За KD-43XD83□□/43XD80□□ закачете кабелния държач към един от вътрешните отвори.

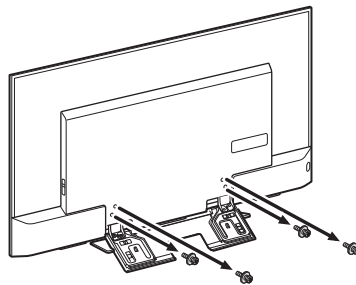


### Забележка

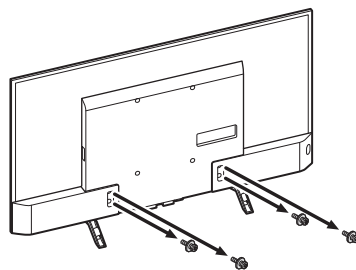
- Възложете прокарването на кабелите в стената на лицензиран изпълнител.
- Съберете свързващите кабели, за да не ги настъпите преди монтажа на стената.

## 7 Свалете поставката за маса от телевизора.

Само KD-55XD80□□



Без KD-55XD80□□

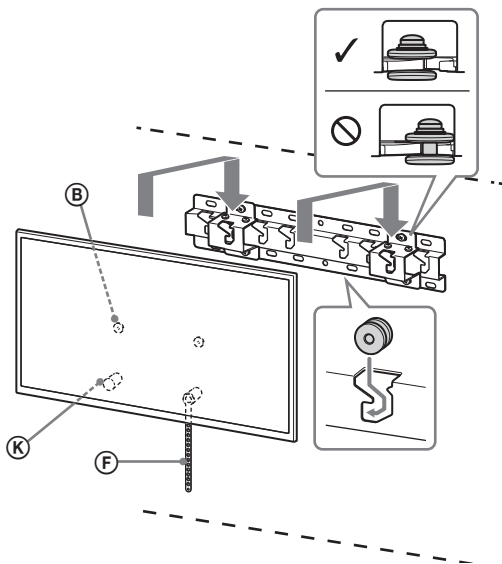


# Монтаж на телевизора на стената

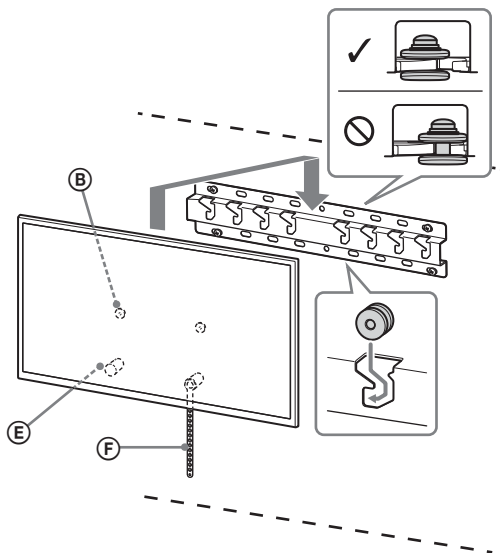
## 1 Монтирайте телевизора към основата.

- Относно местата на макарите (B) за окачване на основата, вижте таблицата от стъпка 3 в "Определяне на мястото на монтаж" на стр. страница 8.
- Дръжте здраво телевизора с две ръце и внимателно окачете макарите (B), закачени към задната част на телевизора към основата като проверите размера на отворите.
- След монтаж на телевизора проверете дали макарите (B) са здраво закачени към основата или адаптера на основата.

2-a



2-b

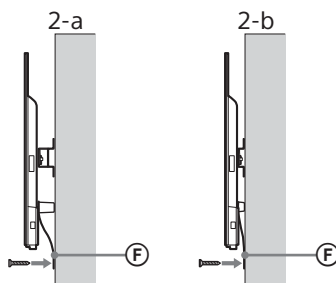


### ПРЕДУПРЕЖДЕНИЕ

- Осигурете две или повече лица, които да държат телевизора.

## 2 Предотвратяване на преместването на долната част на телевизора.

- Издърпайте разхлабената част на колан (F) и я закачете плътно към стената.



- Използвайте винт с диаметър 5 mm или еквивалентен (не е включен в комплекта).

### Забележка

- Опитайте леко да издърпате към себе си долната част на телевизора, за да се уверите, че не се премества напред. Ако се движи, той не е закрепен правилно и колан (F) трябва отново да се закрепят здраво.

## Проверка на приключването на монтажа

Проверете следните точки.

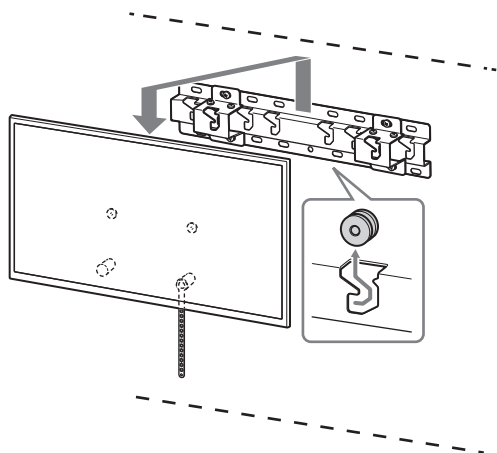
- Макарите **(B)** са закачени здраво за основата или адаптера на основата.
- Кабелите не са усукани или притиснати.
- Колан **(F)** е затегната и няма хлабина.

### ПРЕДУПРЕЖДЕНИЕ

- Неправилното поставяне на захранващия кабел и други може да причини пожар или електрически удар поради късо съединение. С оглед на безопасността проверете дали монтажът е завършен.

## Друга информация

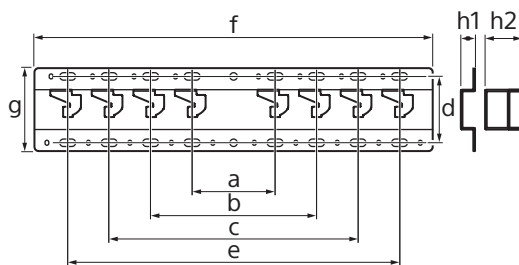
Когато сваляте телевизора, изпълнете процедурата на монтажа в обратен ред.



### ПРЕДУПРЕЖДЕНИЕ

- Осигурете две или повече лица, които да държат телевизора при свалянето му.

## Спецификации



### Размери: (приблиз.) [mm]

- a : 100
- b : 200
- c : 300
- e : 400
- f : 480
- g : 100

h1 : 20 (вариант 2-b)

h2 : 60 (вариант 2-a)

### Тегло (само на основата): (Приблиз.) [kg]

0,8

Дизайнът и спецификациите подлежат на промяна без предупреждение.



# Сведения об использовании кронштейна для настенной установки Sony (SU-WL450)

## Поддерживаемые модели:

**KD-55XD80□□\*/49XD83□□\*/49XD80□□\*/43XD83□□\*/  
43XD80□□\***

\* В фактических названиях модели "□□" обозначает цифры и/или символы, характерные для конкретной модели.

К сведению покупателей

Для обеспечения сохранности изделия и из соображений безопасности компания Sony настоятельно рекомендует привлекать для установки телевизора только дилеров или лицензированных подрядчиков Sony. Не пытайтесь выполнить установку самостоятельно.

К сведению дилеров и подрядчиков Sony

Уделяйте повышенное внимание безопасности во время установки, периодического обслуживания и осмотра данного изделия.

Для правильной установки данного изделия необходим достаточный опыт, в особенности при определении того, в состоянии ли стена выдержать вес телевизора. Обязательно привлеките для установки этого изделия на стену дилеров или лицензированных подрядчиков Sony и строго соблюдайте технику безопасности при выполнении работ по установке. Компания Sony не несет ответственность за любые поломки или травмы, вызванные неправильным обращением с изделием или его неправильной установкой.

Для получения информации о безопасной и правильной установке следуйте Инструкциям по эксплуатации кронштейна для настенной установки, руководству по началу работы с телевизором и указаниям в данном руководстве.

## Безопасность

Благодарим за покупку этого изделия.

### Для покупателей

Для установки данного изделия требуется достаточный опыт. Обязательно обратитесь к дилеру или лицензированному подрядчику Sony, а также соблюдайте необходимые меры предосторожности во время установки изделия. Компания Sony не несет ответственности при нанесении любого ущерба или вреда, вызванного неправильным обращением или установкой либо установкой не предназначенного для этого изделия. Это не влияет на ваши законные права (если таковые имеются).

### Для дилеров Sony

Для установки данного изделия требуется достаточный опыт. Для безопасной установки устройства обязательно внимательно прочтите настоящее руководство. Sony не несет ответственности в случае повреждения или получения травм в результате неправильного обращения или ненадлежащей установки. По окончании установки передайте это руководство покупателю.

В этом руководстве по установке приведены важные меры предосторожности и информация по обеспечению надлежащего обращения с изделием, которые необходимы для предотвращения несчастных случаев. Обязательно внимательно прочтите настоящее руководство и используйте изделие по назначению. Сохраните настоящее руководство для использования в будущем.

Изделия Sony разработаны с учетом требований по безопасности. Однако неправильное использование изделий может стать причиной получения серьезных травм вследствие поражения электрическим током, возгорания, опрокидывания или падения изделия. Во избежание возникновения таких несчастных случаев обязательно соблюдайте соответствующие меры предосторожности.

Дата производства указана на изделии и его упаковке на ярлыке со штрихкодом в следующем формате: ММ.ГГГГ, где ММ - месяц, а ГГГГ - год производства.

Производитель: Сони Корпорейшн, 1-7-1 Конан, Минато-ку, Токио 108-0075, Япония.  
Сделано в Китае

Организация, уполномоченная принимать претензии от потребителей на территории Казахстана ЗАО «Сони Электроникс»  
Представительство в Казахстане, 050059, Алматы, улица Иваналова, д. 58

## ВНИМАНИЕ

### Указанные изделия

Данный кронштейн для настенного крепления предназначен для отдельных моделей телевизоров. См. Справочное руководство к телевизорам для проверки возможности использования кронштейна для настенной установки.

### Для покупателей

## ПРЕДУПРЕЖДЕНИЕ

Несоблюдение приведенных ниже мер предосторожности может стать причиной смерти или получения серьезных травм вследствие поражения электрическим током, возгорания, опрокидывания или падения изделия.

**Обязательно обратитесь к лицензированному подрядчику, а также не допускайте того, чтобы дети находились вблизи места установки изделия.**

Неправильная установка кронштейна для настенной установки или телевизора может стать причиной перечисленных ниже несчастных случаев. Для выполнения установки обязательно обратитесь к лицензированному подрядчику.

- Телевизор может упасть и стать причиной получения серьезных травм, например ушибов или переломов.
- Если стена, на которой выполняется установка кронштейна для настенной установки, неустойчивая, неровная или не вертикальная, изделие может упасть и получить повреждения или стать причиной травм или повреждения имущества. Стена должна выдерживать вес, по крайней мере, в четыре раза превышающий вес телевизора. (Чтобы узнать вес телевизора, см. Справочное руководство.)
- Если установка кронштейна для настенной установки выполняется на недостаточно прочной стене, изделие может упасть и получить повреждения или стать причиной травм или повреждения имущества.

**Меры предосторожности в отношении детей**

- Не позволяйте детям взбираться на телевизор.
- Храните мелкие детали вне досягаемости детей, чтобы они не могли случайно проглотить их.

**Для перемещения или демонтажа телевизора обязательно обратитесь к лицензированным подрядчикам.**

Если транспортировка или демонтаж телевизора выполняется не лицензированными подрядчиками, он может упасть и стать причиной травм или повреждения имущества. Перенос или демонтаж телевизора должны выполняться двумя или более лицами.

**После монтажа телевизора не вынимайте винты и т. д.**

В противном случае телевизор может упасть и стать причиной травм или повреждения имущества.

**Не разбирайте и не меняйте детали кронштейна для настенной установки.**

В противном случае кронштейн для настенной установки может упасть и стать причиной травм или повреждения имущества.

**Не устанавливайте на кронштейн какое-либо другое оборудование, кроме указанного.**

Этот кронштейн для настенной установки предназначен для использования только с указанными изделиями. Если на данном монтажном кронштейне крепится оборудование, не предназначенное для такой установки, оно может упасть или получить повреждения, а также может стать причиной травм или повреждения имущества.

**Во избежание перегрузки кронштейна для настенной установки не устанавливайте на нем ничего, кроме телевизора. Не трясите телевизор влево/вправо, вверх/вниз.**

В противном случае телевизор может упасть и стать причиной травм или повреждения имущества.

**Не опирайтесь на телевизор и не держитесь за него.**

Не опирайтесь на телевизор и не держитесь за него, так как он может упасть и стать причиной получения серьезных травм.

## ВНИМАНИЕ

При несоблюдении следующих мер предосторожности существует вероятность получения травм или повреждения имущества.

**Чистку устройства или уход за ним необходимо осуществлять, не прикладывая чрезмерных усилий.**

Не перегружайте верхнюю часть телевизора. В противном случае телевизор может упасть и стать причиной травм или повреждения имущества.

## Меры предосторожности

- Если телевизор, установленный на кронштейне для настенной установки и используется в течение длительного времени, то в зависимости от материала стены позади него или над ним могут выцвести стены или отстать обои.
- После демонтажа кронштейна для настенной установки в стене останутся отверстия.
- Не используйте кронштейн для настенной установки в местах с механическими вибрациями.

## Порядок установки кронштейна для настенной установки

Для дилеров Sony

## ПРЕДУПРЕЖДЕНИЕ

Следующие инструкции предназначены только для дилеров Sony. Обязательно прочтите правила техники безопасности и соблюдайте особые меры предосторожности во время установки, обслуживания и проверки данного изделия.

**Не устанавливайте кронштейн для настенной установки на таких стенах, где края телевизора будут выступать за края стены.**

Не устанавливайте кронштейн для настенной установки на таких поверхностях стен (например, на колоннах), где края телевизора будут выступать за края поверхности стены. Задев за выступающие края телевизора, можно получить травму или повредить имущество.

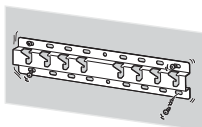


**Не устанавливайте телевизор под кондиционером или над ним.**

Если в течение продолжительного промежутка времени телевизор подвержен воздействию конденсата или потока воздуха из кондиционера, это может стать причиной возгорания телевизора, поражения электрическим током или неисправности телевизора.

**Обязательно надежно прикрепите кронштейн для настенной установки к стене, следуя инструкциям, приведенным в настоящем руководстве.**

Если какой-либо из винтов ослаблен или выпал, кронштейн для настенной установки может упасть и стать причиной травм или повреждения имущества. При выполнении монтажа обязательно используйте винты, которые соответствуют материалу стены, и надежно установите устройство, используя не менее четырех винтов 8 мм (или аналогичных).



**Обязательно используйте входящие в комплект винты и детали для крепления и строго следуйте инструкциям, приведенным в данном руководстве по установке. Если при установке были использованы иные крепежные материалы, телевизор может упасть и получить повреждения или стать причиной травм.**

**Обязательно выполняйте сборку кронштейна, точно следуя инструкциям, изложенным в настоящем руководстве по установке.**

Если какой-либо из винтов ослаблен или выпал, телевизор может упасть и получить повреждения или стать причиной получения травм.

**Надежно затяните винты в предназначенных для них крепежных отверстиях.**

В противном случае, телевизор может упасть и получить повреждения или стать причиной травм.

**Следите за тем, чтобы во время установки телевизор не подвергался воздействию толчков.**

Толчки могут вызвать падение и порчу телевизора. Это может привести к травме.

**Устанавливайте телевизор на стене только в том случае, если она плоская и расположена под прямым углом к полу.**

В противном случае телевизор может упасть и стать причиной травм.

**После надлежащей установки телевизора обеспечьте безопасное расположение кабелей.**

Кабели, представляющие препятствия для людей и объектов, могут стать причиной получения серьезных травм или повреждения телевизора.

**Не допускайте заземления кабеля питания и соединительных кабелей.**

Если кабель питания или соединительный кабель будет зажат между устройством и стеной или с силой изогнут или перекручен, то изоляция внутренних проводов может быть нарушена, что может стать причиной короткого замыкания или обрыва. Это может вызвать возгорание или привести к поражению электрическим током.



**Винты, крепящие кронштейны для настенной установки к стене, в комплект поставки не входят.**

При монтаже кронштейна для настенной установки используйте винты, соответствующие материалу и структуре стены.

Изделия должны храниться в картонной упаковке в темном, сухом, чистом и хорошо вентилируемом помещении в удалении от мест хранения кислот и щелочей. Температура хранения: от -20 С до + 60 С. Влажность хранения: <80%.

## Порядок установки телевизора на стену

Процедура установки отличается в зависимости от модели телевизора. Используйте кронштейн для настенной установки SU-WL450 для установки телевизора на стену.

### Примечание

- Храните извлеченные винты в надежном недоступном для детей месте.

## Подготовка к установке

- До начала установки обязательно подготовьте Справочное руководство телевизора.
- В процессе установки используйте крестообразную отвертку, соответствующую используемым винтам.
- Выберите место установки телевизора.
- Подготовьте четыре или более винтов диаметром 8 мм и один винт диаметром 5 мм или его эквивалент (не входит в комплект поставки). Выберите винты в соответствии с материалом стены.

## Проверка комплектации

### Прилагается к SU-WL450

- Проверьте комплектность товара.

<b>А</b> Основание (20) (1) 	<b>В</b> Шкив (2) 
<b>С</b> PSW 6x20 (4) 	<b>Д</b> PSW 4x20 с втулкой (2) 
<b>Е</b> Проставка (20) (2) 	<b>Ф</b> Лента (1) 
<b>Г</b> Втулка (20) (M4) (2) 	<b>Н</b> PSW 4x20 (2) 
<b>И</b> Адаптер основания (2) 	<b>Ж</b> PSW 4x10 (8) 
<b>К</b> Прокладка (60) (2) 	<b>Л</b> PSW 6x50 (2) 
<b>М</b> Втулка (M4) (2) 	<b>Н</b> PSW 4x50 (2) 
<b>О</b> Крепление для настенной установки (S) (2) 	<b>П</b> Прокладка (2) 
<b>Q</b> Шайба (1) 	<b>Р</b> PSW 5x12 (1) 

### Прилагается к телевизору (крепится к задней части)

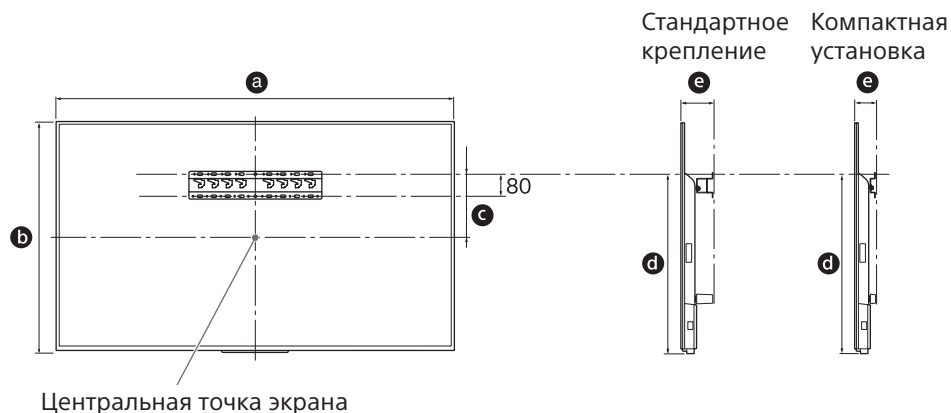
Держатель кабеля (1) 
---

# Определение местоположения для установки

## 1 Определите местоположение для установки.

Убедитесь, что стена, на которую будет устанавливаться телевизор, имеет достаточно места и способна выдержать вес, по крайней мере в четыре раза превышающий вес устанавливаемого телевизора.

См. следующую таблицу по установке телевизора на стену. См. Справочное руководство телевизора для просмотра сведений о весе телевизора.



Единицы измерения: мм

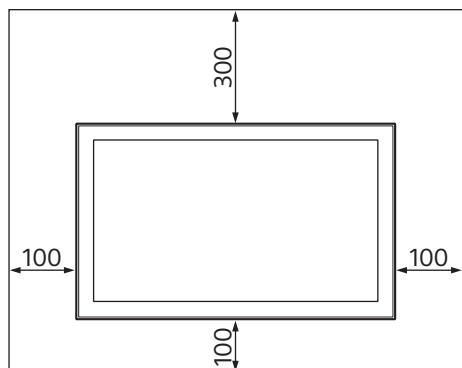
Название модели KD-	Размеры экрана		Положение центра экрана	Длина для крепления		
	a	b	c	d	Стандартное крепление	Компактная установка
55XD80□□	1231	717	129	494	102	60
49XD83□□ 49XD80□□	1093	639	181	508	102	60
43XD83□□	960	564	209	498	108	66
43XD80□□	960	564	209	498	107	65

### Примечание

- Рисунки в таблице могут немного отличаться в зависимости от установки.

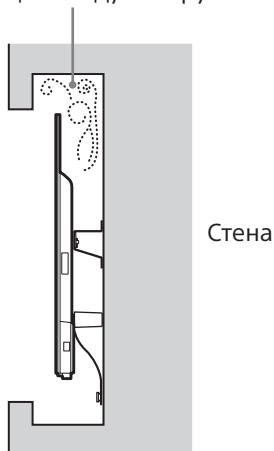
Обеспечьте наличие достаточного зазора между телевизором, потолком и выступающими частями стены, как показано на рисунке ниже.

Единицы измерения: мм



- Для обеспечения надлежащей вентиляции и предотвращения скопления грязи и пыли:
  - Не кладите телевизор экраном вниз; не устанавливайте телевизор перевернутым нижней стороной вверх, задом наперед или набок.
  - Не устанавливайте телевизор на полке, ковре, кровати или в шкафу.
  - Не накрывайте телевизор тканью, например занавесками, а также газетами и т. п.
  - Не устанавливайте телевизор так, как показано на рисунке ниже.

Циркуляция воздуха нарушена.



### Примечание

- Перед установкой, если предполагается проложить кабели в стене, также определите отверстия для кабеля и просверлите отверстие в стене.  
Для предотвращения защемления кабелей подготовьте отверстие в стене в области за пределами периметра основания (20) **A**, адаптер основания **I** и прокладки (20) **E**, прокладки (60) **K**.

**2** Выберите способ настенной установки. Расстояние от задней панели телевизора до стены можно выбрать, как показано ниже.

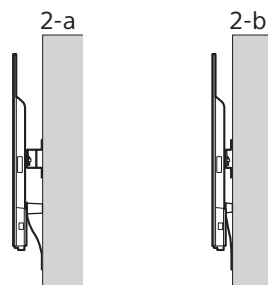
**2-a** Стандартное крепление

**2-b** Узкое крепление

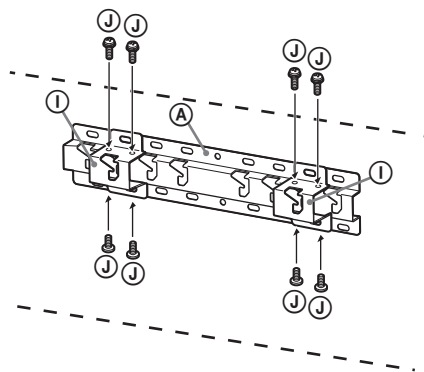
См. шаг 1 в таблице.

### ПРЕДУПРЕЖДЕНИЕ

- При выборе пункта 2-b ограничен доступ к задним разъемам.

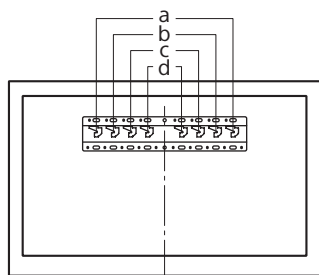


Прикрепите адаптер основания **I** с помощью винта (PSW 4x10) **J** к основанию (20) **A** при выборе пункта 2-a.



- 3 Расположения креплений базового адаптера см. в таблице ниже. При выборе пункта 2-b пропустите этот шаг.

Название модели KD-	Положение скоб
55XD80□□ 49XD83□□ 49XD80□□	c
43XD83□□ 43XD80□□	d



- 4 Определите местоположение винтов для установки основания (20) (A).

См. спецификации на стр. 13.

При выборе пункта 2-а используйте положения отверстий адаптера основания ①.

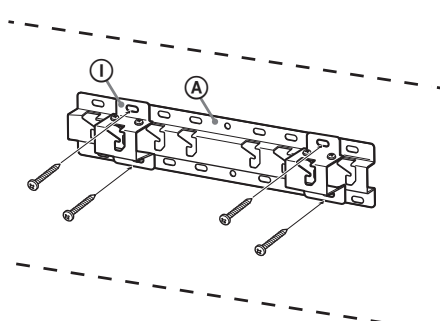
#### ПРЕДУПРЕЖДЕНИЕ

- Стена, на которой будет установлен телевизор, должна выдерживать вес, превышающий вес телевизора, по крайней мере, **в четыре раза** (Чтобы узнать вес телевизора, см. Справочное руководство.).
- Определите прочность стены, на которую будет установлен телевизор. При необходимости укрепите стену.

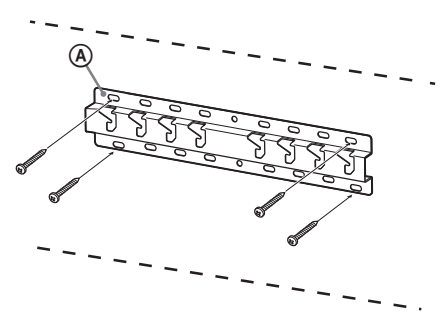
## Установка основания на стену

- Используйте четыре или более винтов диаметром 8 мм или аналогичных им (в комплект поставки не входят).
- Вставив четыре винта в отверстия адаптера основания ①, прикрепите его к основанию (20) (A) (только 2-а).
- Установите подставку (20) (A) горизонтально на стену.

2-а



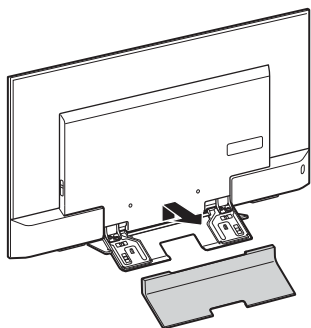
2-б





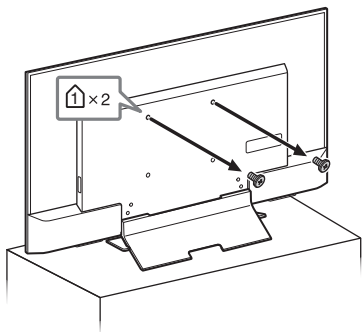
## Подготовка к установке телевизора

- 1 Снимите крышку подставки.  
(Только для модели KD-55XD80□□)

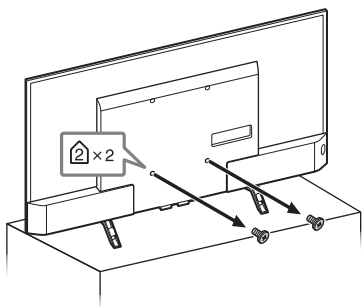


- 2 Снимите винты с задней панели телевизора.

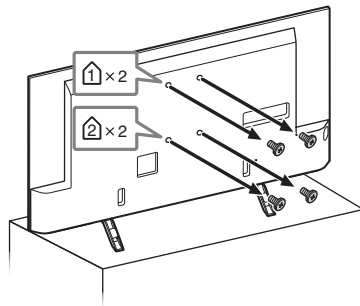
KD-55XD80□□



KD-49XD83□□/49XD80□□



KD-43XD83□□/43XD80□□

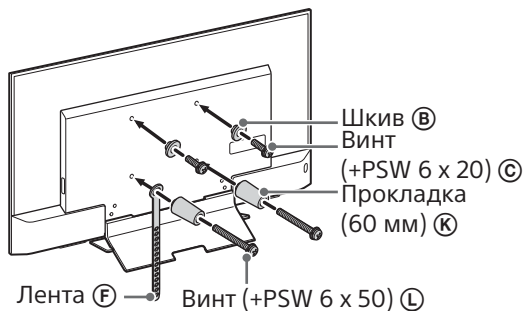


- 3 Прикрепите крепежные детали кронштейна для настенной установки. Выполните проверку крепежных деталей согласно пункту “Прилагается к SU-WL450” в разделе “Проверка комплектации” на стр. 6.

### Примечание

- Плотно закрепите крепежные детали с помощью винтов.
- При использовании электрической отвертки задайте момент затяжки, равный приблизительно 1,5 Н·м {15 кгс·см}.
- Храните неиспользованные детали в надежном месте, чтобы в будущем их можно было использовать. Сохраните данную инструкцию по эксплуатации для дальнейшего использования.

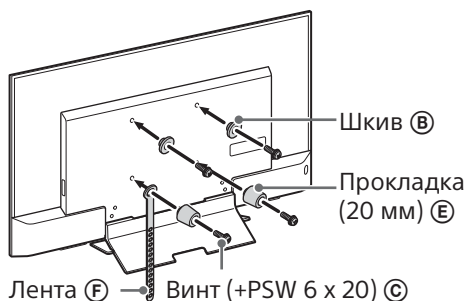
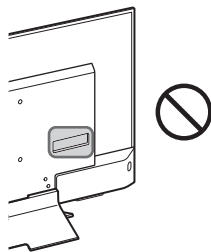
### Стандартное крепление (2-а)



## Компактная установка (2-b)

### Примечание

- Вы не сможете использовать некоторые разъемы на задней панели телевизора при данном типе установки.



Лента (F) — Винт (+PSW 6 x 20) (C)

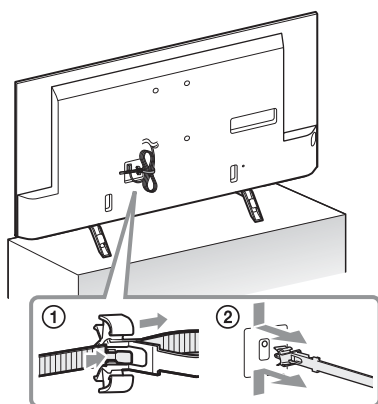
## 4 Подключите необходимые кабели к телевизору.

Перед установкой телевизора на стену обязательно подключите кабели.

После установки телевизора подключение кабелей станет невозможным.

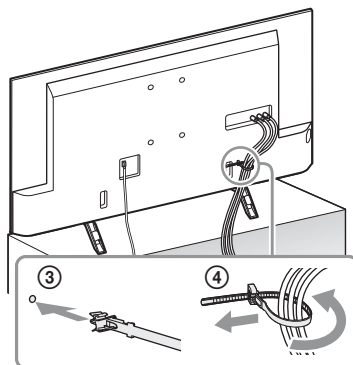
См. Справочное руководство, прилагаемое к телевизору.

## 5 Снимите держатель кабеля (прилагается к телевизору). (Только для модели KD-43XD83□□/43XD80□□)



## 6 Свяжите кабели.

Для KD-43XD83□□/43XD80□□ прикрепите держатель кабеля к одному из внутренних отверстий.

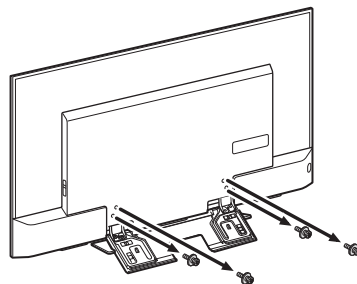


### Примечание

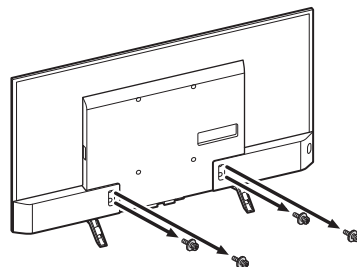
- Поручите прокладку кабеля в стене лицензированному подрядчику.
- Перед креплением устройства на стену уложите соединительные кабели, чтобы случайно не наступить на них.

## 7 Отсоедините настольную подставку от телевизора.

Только для модели KD-55XD80□□



Кроме KD-55XD80□□



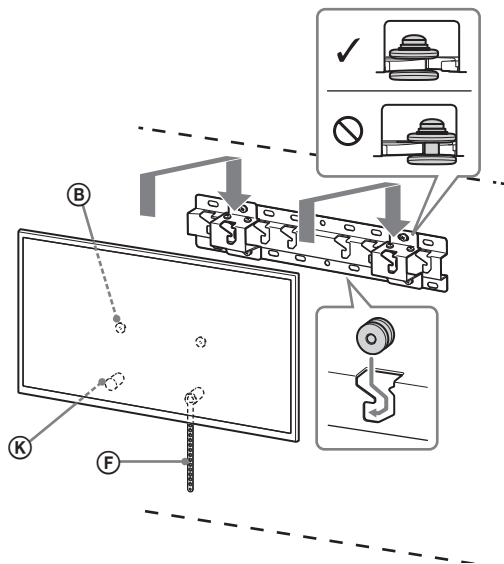
RU

# Установка телевизора на стену

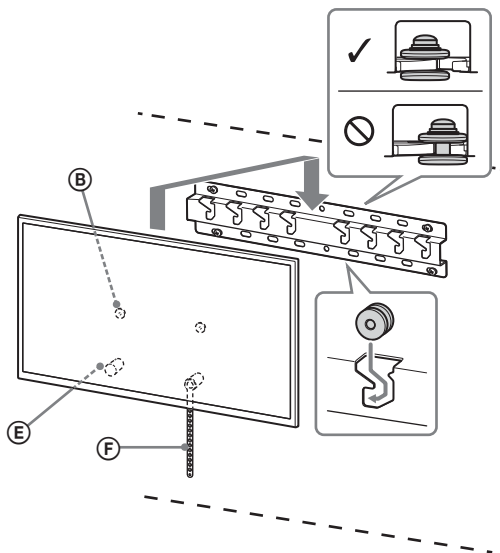
## 1 Установите телевизор на основание.

- Расположение шкивов **(B)** для крепления подставки см. в таблице шага 3 в разделе “Определение местоположения для установки” на стр. 9.
- Крепко держа телевизор двумя руками, навесьте шкивы **(B)**, установленные на задней панели телевизора, на основание, соблюдая форму отверстий.
- После установки телевизора на стену убедитесь в том, что шкивы **(B)** надежно зафиксированы в основании или адаптере основания.

2-a



2-b

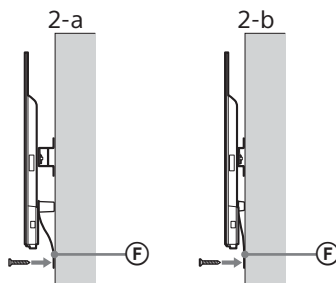


### ПРЕДУПРЕЖДЕНИЕ

- Перенос телевизора должен выполняться двумя или более лицами.

## 2 Предотвращение смещения нижней части телевизора.

- Устраните слабинку ленты **(F)** и надежно прикрепите его к стене.



- Используйте винт диаметром 5 мм или его эквивалент (не прилагается).

### Примечание

- Слегка потяните нижнюю часть телевизора на себя, чтобы убедиться, что она не движется вперед. Если есть небольшой люфт, то телевизор не закреплен надлежащим образом, а лента **(F)** следует закрепить надежнее.

## Проверка выполнения установки

Проверьте следующие пункты.

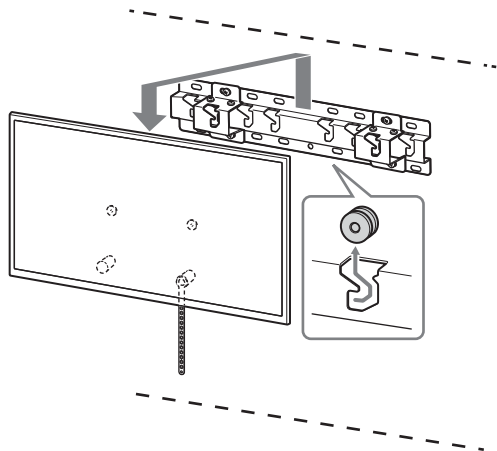
- Шкивы **(B)** надежно навешены на основание или адаптер основания.
- Шнур и кабель не перекручены и не заземлены.
- Лента **(F)** надежно прикреплен без слабину.

### ПРЕДУПРЕЖДЕНИЕ

- Неправильное расположение кабеля питания и т. д. может привести к возгоранию или поражению электрическим током в результате короткого замыкания. Для обеспечения безопасности убедитесь в том, что все пункты установки выполнены.

## Прочая информация

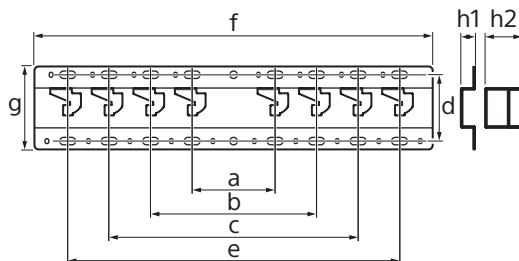
При снятии телевизора выполните описанную выше процедуру в обратной последовательности.



### ВНИМАНИЕ

- Снимайте телевизор силами двух человек.

## Технические характеристики



### Размеры: (прибл.) [мм]

- a : 100
- b : 200
- c : 300
- d : 80
- e : 400
- f : 480
- g : 100

h1 : 20 (вариант 2-b)

h2 : 60 (вариант 2-a)

### Вес (только основание): (прибл.) [кг]

0,8

Конструкция и характеристики могут быть изменены без предварительного уведомления.

# Інформація зі встановлення з використанням кронштейна для настінного кріплення Sony (SU-WL450)

## Моделі, що підтримуються:

**KD-55XD80□□\*/49XD83□□\*/49XD80□□\*/43XD83□□\*/  
43XD80□□\***

\* Позначка «□□» відповідає індивідуальними цифрам та/або символам, які присутні в номерах окремих моделей.

### Інформація для споживачів

Для захисту виробу та з міркувань безпеки компанія Sony настійно рекомендує, щоб встановлення телевізора здійснювалося дилерами або ліцензованими підрядниками Sony. Не намагайтеся встановити його самостійно.

### Інформація для дилерів і підрядників Sony

Приділяйте максимальну увагу безпеці під час встановлення, періодичного обслуговування та перевірки виробу.

Для встановлення цього виробу, особливо для визначення міцності стіни, яка повинна витримувати вагу телевізора, необхідно мати достатній досвід. Довіряйте виконання монтажу тільки дилерам чи ліцензованим підрядникам Sony та приділяйте належну увагу безпеці під час встановлення. Компанія Sony не несе жодної відповідальності за збитки й травми, викликані неправильною експлуатацією чи встановленням.

Інформацію щодо правильного й безпечного встановлення дивіться в Інструкції з експлуатації кронштейна для настінного кріплення, у посібнику з початку роботи з телевізором і в цьому посібнику.

## Відомості з безпеки

Дякуємо за придбання цього виробу.

### До уваги споживачів

Для встановлення цього виробу необхідно мати достатні знання та навички. Обов'язково доручіть установлення дилеру компанії Sony або підрядникам, які мають ліцензію, та зверніть особливу увагу на безпеку під час монтажу. Компанія Sony не несе відповідальності за шкоду та травми, що виникли через неправильне поводження або неналежно виконаний монтаж або монтаж будь-якого іншого виробу, крім зазначеного тут. Це не стосується ваших прав передбачених законом (якщо такі є).

### До уваги дилерів компанії Sony

Для встановлення цього виробу необхідно мати достатні знання та навички. Обов'язково уважно прочитайте цей посібник, щоб безпечно виконати роботи з монтажу. Компанія Sony не несе відповідальності за шкоду та травми, що виникли через неправильне поводження або неналежно виконаний монтаж. Після встановлення передайте цей посібник споживачу.

У цьому посібнику з експлуатації описано правильне поводження з виробом, а також наведено важливі застережні заходи, необхідні для уникнення нещасних випадків. Обов'язково уважно прочитайте цей посібник і використовуйте виріб належним чином. Зберігайте цей посібник для перегляду в майбутньому.

Під час розробки продуктів Sony безпека стоїть на першому місці. Однак, неправильне поводження з виробами може призвести до серйозних травм унаслідок пожежі, ураження електричним струмом, перекидання виробу чи його падіння. Щоб запобігти таким випадкам, обов'язково дотримуйтеся правил техніки безпеки.

Дату виробництва вказано на виробі та на його упаковці на етикетці зі штрих-кодом у такому форматі: MM.PPPP, де MM і PPPP — це, відповідно, місяць і рік випуску.

Виробник: Соні Корпорейшн, 1-7-1 Конан, Мінато-ку, Токіо 108-0075, Японія.  
Зроблено в Китаї

## ПОПЕРЕДЖЕННЯ

### Зазначені вироби

Цей кронштейн для настінного кріплення призначено для використання лише з телевізорами, зазначеними для даного виробу. Інформацію щодо можливості використання кронштейна для настінного кріплення дивіться в Довідниках до відповідних моделей телевізора.

## До уваги споживачів

### ЗАСТЕРЕЖЕННЯ

Якщо не дотримуватися наведених нижче застережних заходів, можливі серйозні травми чи смерть унаслідок пожежі, ураження електричним струмом чи падіння виробу.

### Обов'язково доручіть установлення підрядникам, які мають ліцензію, та слідкуйте за тим, щоб під час монтажу поряд не було дітей.

Якщо кронштейн для настінного кріплення або телевізор встановлено неправильно, можуть статися наведені нижче нещасні випадки. Монтаж мають виконувати підрядники, які мають ліцензію.

- Телевізор може впасти та призвести до таких серйозних травм, як синець або перелом.
- Якщо стіна, на яку встановлюється кронштейн для настінного кріплення, нестабільна, нерівна або неперпендикулярна підлозі, кронштейн може впасти та стати причиною травмування або пошкодження майна. Стіна має бути здатною витримати вагу, що принаймні у чотири рази перевищує вагу телевізора. (Вагу телевізора можна дізнатися в Довіднику.)
- Якщо кронштейн для настінного кріплення встановлюється на стіні недостатньо надійно, кронштейн може впасти та стати причиною травмування або пошкодження майна.

### Щодо дітей

- Не дозволяйте дітям залазити на телевізор.
- Тримайте малі деталі поза доступом дітей, щоб діти їх випадково не проковтнули.

### Обов'язково доручіть переміщення або демонтажу телевізора підрядниками, які мають ліцензію.

Якщо переміщення або демонтажу телевізора виконуватимуть інші особи, окрім підрядників, які мають ліцензію, телевізор може впасти та стати причиною травмування або пошкодження майна. Переносити або демонтувати телевізор мають принаймні дві особи.

### Не викручуйте гвинти, тощо, після монтування телевізора.

Якщо зробити це, телевізор може впасти та завдати серйозних травм чи призвести до пошкодження майна.

### Не змінюйте деталі кронштейна для настінного кріплення.

Якщо зробити це, кронштейн для настінного кріплення може впасти та завдати серйозних травм чи призвести до пошкодження майна.

### Не встановлюйте ніяких інших пристроїв, крім зазначеного виробу.

Цей кронштейн для настінного кріплення призначено для використання лише із зазначеним виробом. У випадку встановлення інших пристроїв, крім зазначених, вони можуть впасти чи зламатися та завдати серйозних травм чи призвести до пошкодження майна.

### Не застосовуйте до кронштейна для настінного кріплення інші навантаження, окрім телевізора. Не розкитуйте телевізор уліво/вправо чи вгору/вниз.

Якщо зробити це, телевізор може впасти та завдати серйозних травм чи призвести до пошкодження майна.

### Не спирайтеся на телевізор і не чіпляйтеся за нього.

Не спирайтеся на телевізор і не чіпляйтеся за нього, оскільки він може впасти на вас та завдати серйозних травм.

## ПОПЕРЕДЖЕННЯ

Якщо не дотримуватися наведених нижче застережних заходів, це може призвести до серйозних травм чи пошкодження майна.

### Під час очищення або обслуговування виробу не прикладайте до нього надмірної сили.

Не прикладайте надмірної сили до верхньої частини телевізора. Якщо зробити це, телевізор може впасти та завдати серйозних травм чи призвести до пошкодження майна.

## Застережні заходи

- Якщо телевізор, установлений на кронштейн для настінного кріплення, буде використовуватися протягом тривалого часу, залежно від матеріалу, яким вкрита стіна, поверхня стіни за телевізором чи над ним може знебарвитися або від стіни можуть відквітатися шпалери.
- Якщо кронштейн для настінного кріплення зняти після того, як його було

встановлено на стіні, в стіні залишаються отвори від шурупів.

- Не використовуйте кронштейн для настінного кріплення в місцях, де відбувається механічна вібрація.

## Встановлення кронштейна для настінного кріплення

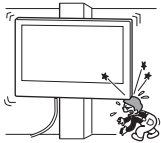
**До уваги дилерів компанії Sony**

### ЗАСТЕРЕЖЕННЯ

Наведені нижче інструкції призначено лише для дилерів компанії Sony. Обов'язково прочитайте застережні заходи, викладені вище, і зверніть особливу увагу на безпеку під час монтажу, обслуговування та перевірки цього виробу.

### Не встановлюйте кронштейн для настінного кріплення в місцях на стіні, де краї чи боки телевізора виступають за межі поверхні стіни.

Не встановлюйте кронштейн для настінного кріплення на таких поверхнях, як колони, оскільки в цих місцях краї чи боки виробів виступають за межі поверхні стіни. Якщо людина чи предмет випадково вдарить по куту чи боковій стороні телевізора, які виступають за край стіни, це може спричинити травму або призвести до пошкодження майна.

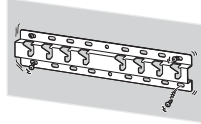


### Не встановлюйте телевізор над чи під кондиціонером.

Якщо телевізор протягом тривалого часу зазнає впливу води, що витікає, або потоку повітря з кондиціонера, це може спричинити пожежу, ураження електричним струмом або несправності в роботі телевізора.

### Надійно встановлюйте кронштейн для настінного кріплення на стіні відповідно до інструкцій у цьому посібнику з експлуатації.

Якщо гвинти слабо закріплені або випадають, кронштейн для настінного кріплення може впасти і стати причиною травми або пошкодження майна. Гвинти мають відповідати матеріалу, яким вкрита стіна. Щоб забезпечити надійне встановлення, використовуйте принаймні чотири гвинти діаметром 8 мм (або еквівалент).



**Використовуйте гвинти та допоміжні частини з комплекту постачання належним чином відповідно до інструкцій у цьому посібнику з експлуатації. Використання деталей-замінників може призвести до падіння телевізора та його пошкодження або травми людей.**

### Збирайте кронштейн належним чином, дотримуючись процедури, описаної в цьому посібнику з експлуатації.

Якщо гвинти слабо закріплені або випадають, телевізор може впасти та пошкодитися або травмувати людей.

### Надійно затягніть гвинти у зазначеному положенні.

Якщо це не зробити, телевізор може впасти та пошкодитися або травмувати людей.

### Під час монтажу слід уникати поштовхів у напрямку телевізора.

У разі поштовху телевізор може впасти або розбитися. Це може стати причиною травми.

### Встановлюйте телевізор на перпендикулярній стіні з рівною поверхнею.

Якщо ця умова не виконується, телевізор може впасти та завдати серйозних травм.

### Після монтажу телевізора зафіксуйте кабелі належним чином.

Якщо люди або об'єкти заплутаються в кабелях, це може привести до пошкодження телевізора або травми.

### Слідкуйте за тим, щоб шнур живлення змінного струму або з'єднувальний кабель не був затиснутий.

Якщо шнур живлення змінного струму або з'єднувальний кабель затиснений між виробом та стіною або зігнутий чи скручений із прикладанням сили, його внутрішні провідники можуть оголитися й спричинити коротке замикання або пробивання електричного струму. Це може призвести до пожежі або ураження електричним струмом.



### Гвинти, за допомогою яких кронштейн для настінного кріплення кріпиться на стіні, не входять до комплекту постачання.

Під час монтажу кронштейна для настінного кріплення використовуйте гвинти відповідно до структури стіни та матеріалу, яким вона вкрита.

Зберігайте вироби в картонній коробці, у темному, сухому, чистому приміщенні з доброю вентиляцією, окремо від місць зберігання кислот і лугів. Температура зберігання: від -20 до +60°C. Вологість зберігання: <80%.

## Встановлення телевізора на стіні

Порядок встановлення залежить від моделі телевізора.

Щоб встановити телевізор на стіні, використовуйте кронштейн для настінного кріплення SU-WL450.

### Примітка

- Тримайте викручені гвинти в безпечному, недосяжному для дітей місці.

## Підготовка до встановлення

- Починаючи встановлення, тримайте під рукою Довідник до телевізора.
- Перед збиранням переконайтеся, що маєте хрестову викрутку, яка підходить для гвинтів.
- Перевірте положення встановлення телевізора.
- Підготуйте принаймні чотири гвинти діаметром 8 мм і один гвинт діаметром 5 мм або еквівалентні (не входять до комплекту постачання). Підберіть гвинти відповідно до матеріалу, яким вкрита стіна.

## Перевірка деталей

### Постачається з SU-WL450

- Перевірте, чи всі деталі включено до комплекту постачання.

А База (20) (1) 	В Блок (2) 
С Гвинт PSW 6x20 (4) 	Д Гвинт PSW 4x20 із втулкою (2) 
Е Прокладка (20) (2) 	Ф Ремінь (1) 
Г Втулка (20) (M4) (2) 	Н Гвинт PSW 4x20 (2) 
І Перехідник для бази (2) 	Дж Гвинт PSW 4x10 (8) 
К Прокладка (60) (2) 	Л Гвинт PSW 6x50 (2) 
М Втулка (M4) (2) 	Н Гвинт PSW 4x50 (2) 
О Настінне кріплення (S) (2) 	П Прокладка (2) 
Q Шайба (1) 	Р Гвинт PSW 5x12 (1) 

### Постачається з телевізором (прикріплено ззаду)

Тримач для кабелю (1) 
--

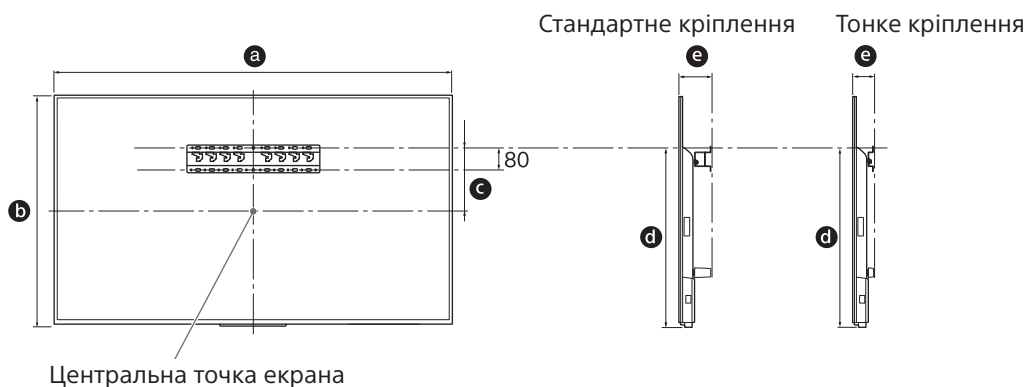


## Визначення місця встановлення

### 1 Визначте місце встановлення.

Переконайтеся, що стіна має достатні розміри і в змозі витримати вагу, щонайменше в чотири рази більшу за вагу телевізора.

Дані, необхідні для встановлення телевізора на стіні, можна знайти в наведеній нижче таблиці. Вагу телевізора можна знайти в Довіднику до телевізора.



Одиниця вимірювання: мм

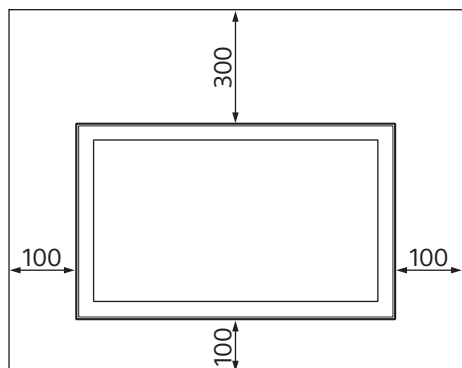
Назва моделі KD-	Габарити дисплея		Габарити центра екрана	Розмір для монтажу		
	a	b	c	d	e	
					Стандартне кріплення	Тонке кріплення
55XD80□□	1231	717	129	494	102	60
49XD83□□ 49XD80□□	1093	639	181	508	102	60
43XD83□□	960	564	209	498	108	66
43XD80□□	960	564	209	498	107	65

#### Примітка

- Цифри в наведеній таблиці можуть дещо відрізнятися в залежності від монтажу.

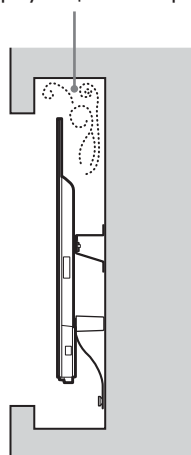
Залиште достатній просвіт між телевізором і стелею та виступаючими частинами стіни, як показано на рисунку нижче.

Одиниця вимірювання: мм



- Щоб забезпечити належну вентиляцію та запобігти накопиченню бруду й пилу:
  - Не кладіть телевізор горизонтально, не встановлюйте його нижньою стороною догори, задом наперед або на бік.
  - Не ставте телевізор на полицю, килим, постіль або в шафу.
  - Не накривайте телевізор тканиною (занавіски тощо) або іншими речами, наприклад газетами.
  - Не встановлюйте телевізор так, як показано нижче.

Порушено циркуляцію повітря.



Стіна

#### Примітка

- Якщо планується прокласти кабелі у стіні, зробіть отвір у стіні, щоб вставити кабелі перед початком установлення.  
Щоб запобігти затисканню кабелів, зробіть отвір у стіні за межами периметра бази (20) **A**, перехідник для бази **1** та прокладки (20) **B**, прокладки (60) **C**.

**2** Оберіть спосіб встановлення на стіні. Виберіть відстань від задньої панелі телевізора до стіни як показано нижче.

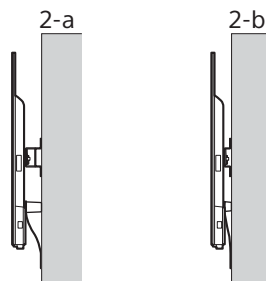
**2-a** Стандартне кріплення

**2-b** Тонке кріплення

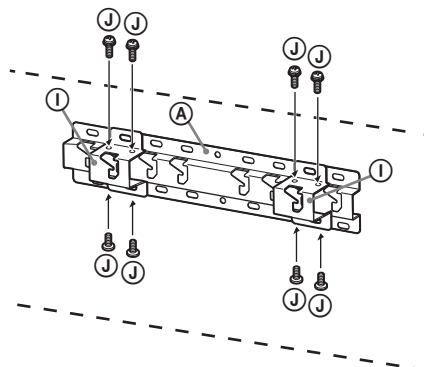
Див. таблицю в кінці 1.

#### ЗАСТЕРЕЖЕННЯ

- У разі вибору 2-b доступ до гнізд на задній панелі буде обмежений.



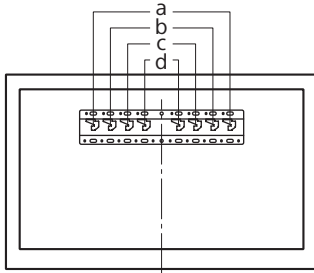
Прикріпіть адаптер **1** за допомогою гвинта (PSW 4x10) **J** до основи (20) **A** (якщо вибрано варіант 2-a).



UA

**3** Місце встановлення адаптера основи дивіться в таблиці нижче. Якщо вибрано 2-*b*, пропустіть цей крок.

Назва моделі KD-	Розташування гаків
55XD80□□ 49XD83□□ 49XD80□□	c
43XD83□□ 43XD80□□	d



**4** Визначте положення гвинтів для встановлення бази (20) (A).

Див. технічні характеристики на стор. 12.

**Якщо вибрано варіант 2-*a*, використовуйте отвори на адаптері основи (I).**

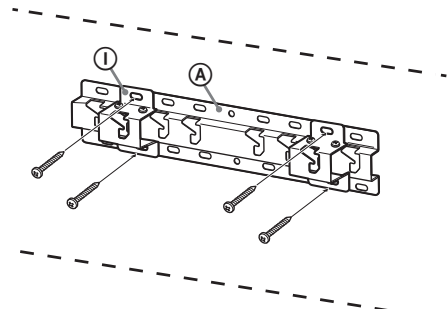
#### ЗАСТЕРЕЖЕННЯ

- Стіна, на якій встановлюється телевізор, має бути здатною витримати вагу, що принаймні **в чотири рази** перевищує вагу телевізора (вагу телевізора можна дізнатися в Довіднику).
- Визначте міцність стіни, на яку буде встановлено телевізор. За необхідності зміцніть стіну належним чином.

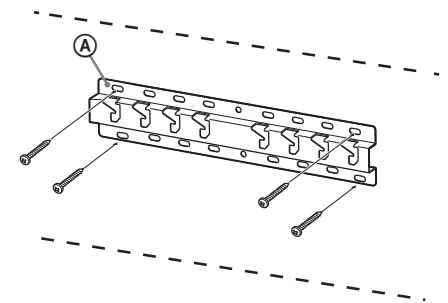
## Установлення Бази на стіні

- Використовуйте принаймні чотири гвинти діаметром 8 мм або еквівалентні (не входять до комплекту постачання).
- **Вкрутіть чотири гвинти в отвори на адаптері основи (I) з основою (20) (A) (тільки 2-*a*).**
- Встановлюйте базу (20) (A) горизонтально на стіні.

2-*a*

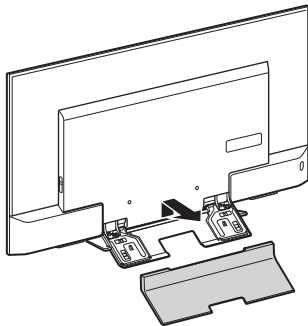


2-*b*



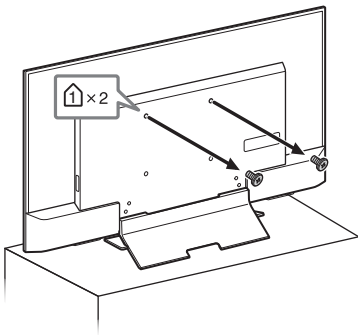
## Підготовка до встановлення телевізора

- 1 Зніміть кришку стійки.  
(Тільки KD-55XD80□□)

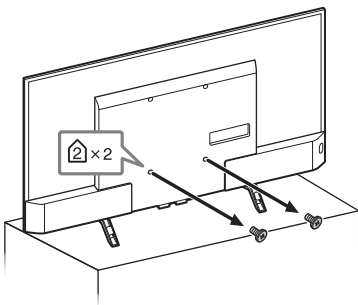


- 2 Викрутіть гвинти із задньої панелі телевізора.

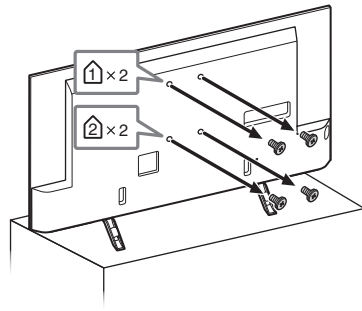
KD-55XD80□□



KD-49XD83□□/49XD80□□



KD-43XD83□□/43XD80□□

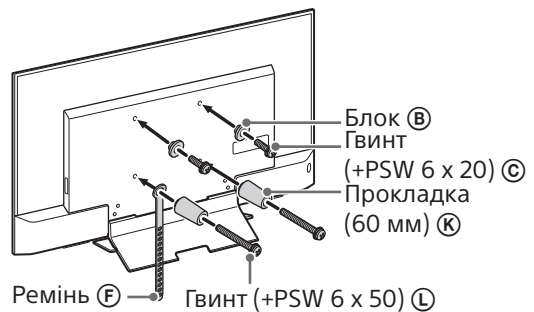


- 3 Зафіксуйте кріпильні елементи кронштейна для настінного кріплення. Перевірте наявність усіх кріпильних елементів, користуючись списком «Постачається з SU-WL450» у розділі «Перевірка деталей» на стор. 5.

### Примітка

- Надійно зафіксуйте кріпильні елементи за допомогою гвинтів.
- Для електричної викрутки встановіть момент обертання приблизно 1,5 Н·м {15 кгс·см}.
- Зберігайте деталі, що не використовуються, у безпечному місці. Зберіть цей посібник для використання в майбутньому.

### Стандартне кріплення (2-а)



UA

## Тонке кріплення (2-b)

### Примітка

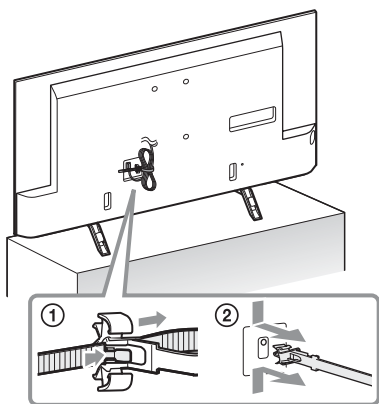
- За такого варіанта встановлення ви не зможете використовувати деякі гнізда на задній панелі телевізора.



## 4 Підключіть до телевізора необхідні кабелі.

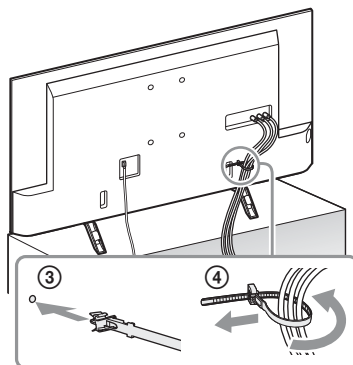
Перевірте підключення кабелів перед установкою телевізора на стіні. Після встановлення телевізора буде неможливо підключити кабелі. Див. Довідник до телевізора.

## 5 Зніміть тримач для кабелю (постачається з телевізором). (Тільки KD-43XD83□□/43XD80□□)



## 6 Зв'яжіть кабелі.

KD-43XD83□□/43XD80□□: вставте тримач для кабелю в один із внутрішніх отворів.

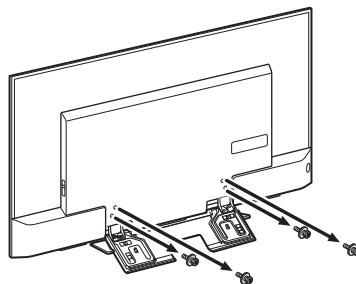


### Примітка

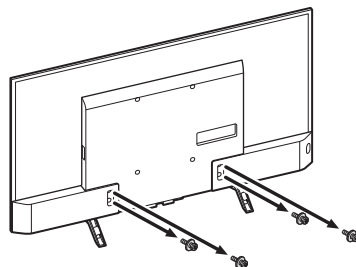
- Доручіть прокладання кабелів у стіні підряднику, який має ліцензію.
- Зв'яжіть з'єднувальні кабелі в пучок, щоб запобігти попаданню їх під ноги перед установкою на стіні.

## 7 Від'єднайте настільну підпору від телевізора.

Тільки KD-55XD80□□



За винятком KD-55XD80□□

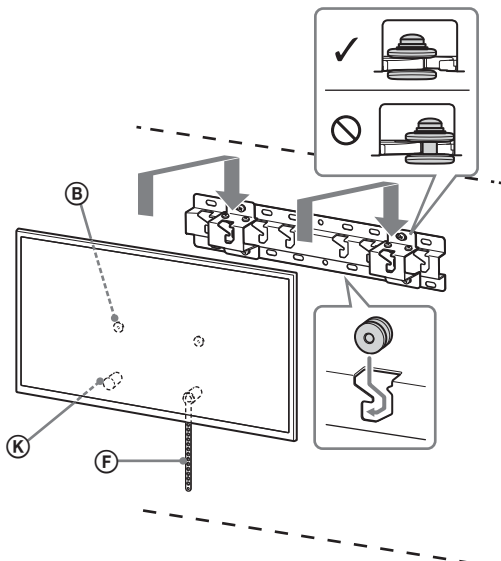


# Установлення телевізора на стіні

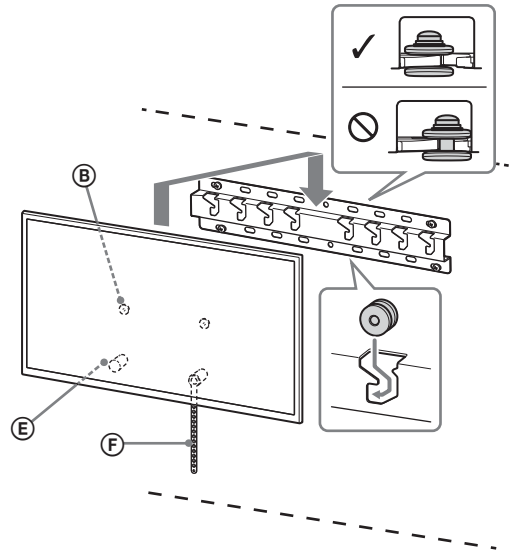
## 1 Установіть телевізор на базу.

- Дивіться таблицю на кроці 3 в розділі «Визначення місця встановлення» на стор. 8, щоб визначити місце блоків (B), на які вішається база.
- Надійно тримайте телевізор двома руками та обережно повісьте блоки (B), прикріплені на задню частину телевізора, на базу, перевіряючи форму отворів.
- Після встановлення телевізора на стіні переконайтеся, що блоки (B) надійно зафіксовано в базі або в перехіднику для бази.

2-a



2-b

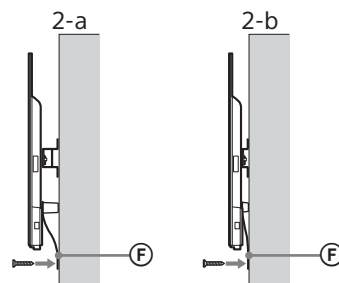


### ЗАСТЕРЕЖЕННЯ

- Переносити телевізор мають принаймні дві особи.

## 2 Запобігання зміщенню нижньої частини телевізора.

- Підберіть провислу частину ремня (F) та надійно прикріпіть його до стіни.



- Використовуйте гвинт діаметром 5 мм або еквівалентний (не входить до комплекту постачання).

### Примітка

- Спробуйте легко потягнути нижню частину телевізора на себе, щоб переконаватися, що вона не рухається вперед. Якщо телевізор рухається, його закріплено неправильно і необхідно ще раз надійно закріпити ремінь (F).

UA

## Перевірка після завершення встановлення

Перевірте зазначені нижче пункти.

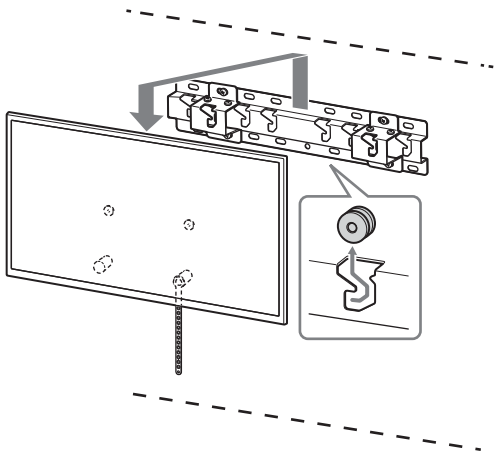
- Блоки ⑥ надійно вставлено в базу або в перехідник для бази.
- Шнур і кабель не перекручені й не затиснені.
- Ремінь ⑥ міцно закріплено без провисання.

### ЗАСТЕРЕЖЕННЯ

- Неправильне розміщення шнура живлення змінного струму тощо може стати причиною пожежі або ураження електричним струмом унаслідок короткого замикання. З метою безпеки обов'язково перевірте все після завершення встановлення.

## Інші відомості

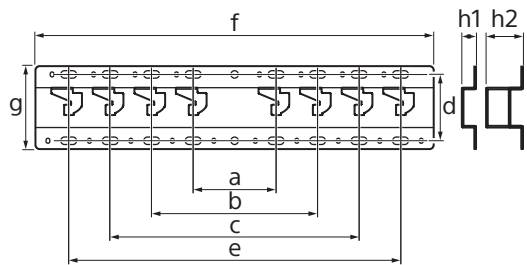
Під час знімання телевізора дотримуйтеся вказаної процедури встановлення у зворотному порядку.



### ЗАСТЕРЕЖЕННЯ

- Знімати телевізор мають принаймні дві особи.

## Технічні характеристики



### Розміри: (прибл.) [мм]

- a : 100
- b : 200
- c : 300
- d : 80
- e : 400
- f : 480
- g : 100

h1 : 20 (випадок 2-b)

h2 : 60 (випадок 2-a)

### Вага (тільки база): (прибл.) [кг]

0,8

Конструкція та технічні характеристики можуть бути змінені без попередження.

# Paigaldusteave Sony seinale paigaldamise kinnituse (SU-WL450) kasutamise kohta

## Toetatud mudelid:

**KD-55XD80□□\*/49XD83□□\*/49XD80□□\*/43XD83□□\*/  
43XD80□□\***

\* Tegelikes mudelite nimedes tähendab „□□“ numbreid ja/või märke, mis on omased igale mudelile.

### Klientidele

Toote kaitsmiseks ja ohutuse tagamiseks soovib Sony tungivalt, et teleri paigaldaks Sony edasimüüja või litsentseeritud töövõtja. Ärge proovige seda ise paigaldada.

### Sony edasimüüjatele ja töövõtjatele

Pöörake selle toote paigaldamisel, regulaarsel hooldamisel ja kontrollimisel täielikult tähelepanu ohutusele.

Selle toote paigaldamiseks on vajalik piisav kogemus, eriti teleri raskusele vastupidava seina tugevuse välja selgitamiseks. Laske see toode kinnitada seinale Sony edasimüüjal või litsentseeritud töövõtjal ja pöörake paigaldamisel piisavalt tähelepanu ohutusele. Sony ei vastuta kahjustuste ega vigastuste eest, mille on põhjustanud sobimatu käsitlemine või vale paigaldamine.

Ohutuse ja korrektse paigaldamise tagamiseks järgige seinale paigaldamise kinnituse kasutusjuhendit, teleri kiirjuhendit ja selles juhendis toodud juhiseid.



## Ohutusest

Täname teid selle toote soetamise eest.

### Klientidele

Käesoleva toote paigaldamine eeldab piisavat asjatundlikkust. Laske paigaldamine teostada kas Sony edasimüüjatel või litsentsitud töövõtjatel ja pöörake paigaldamise käigus erilist tähelepanu ohutusele. Sony ei vastuta kahjustuste või vigastuste eest, mis on tingitud toote valest kasutamisest, ebakorrektest paigaldusest või kui asendate paigaldamisel ettenähtud toote. See ei mõjuta teie seadusejärgseid õigusi (kui neid on).

### Sony edasimüüjatele

Käesoleva toote paigaldamine eeldab piisavat asjatundlikkust. Lugege käesolev kasutusjuhend hoolikalt läbi, et tagada ohutu paigaldus. Sony ei vastuta kahjustuste või vigastuste eest, mis on tingitud toote valest kasutamisest või ebakorrektest paigaldusest. Andke see juhend pärast paigalduse lõpetamist klientidele.

Käesolev kasutusjuhend tutvustab toote õiget kasutamist ja olulisi ettevaatusabinõusid õnnetuste vältimiseks. Lugege see juhend kindlasti läbi ja kasutage toodet õigesti. Säilitage juhend edaspidiseks kasutamiseks.

Sony toodete loomisel on lähtutud ohutusest. Toodete vale kasutamine võib tekitada tõsiseid vigastusi tulekahju, elektrilöögi, toote ümberminemise või kukkumise tagajärjel. Nimetatud õnnetuste vältimiseks tuleb järgida ohutusabinõusid.

## ETTEVAATUST

### Sobivad tooted

See seinakinnitus on mõeldud kasutamiseks koos kindlate teleritega. Telerite puhul vaadake nende viitejuhti, et kontrollida, kas seinale paigaldamise kinnitust saab nendega kasutada.

## Klientidele

### HOIATUS

Järgmiste ettevaatusabinõude eiramine võib põhjustada tõsiseid vigastusi või surma tulekahju, elektrilöögi, toote ümberminemise või kukkumise tagajärjel.

### Laske paigaldamine teostada litsentsitud töövõtjatel ja hoidke väikesed lapsed paigaldustöödest eemal.

Seinakinnituse või teleri vale paigaldamine võib põhjustada järgmisi õnnetusi. Laske paigaldus teostada litsentsitud töövõtjatel.

- Teler võib kukkuda ja tekitada tõsise vigastuse, nt verevalum või luumurd.
- Kui seinakinnitus paigaldatakse ebastabiilsele, ebatasasele või pörandaga mittevertikaalsele seinale, võib teler kukkuda ja tekitada vigastusi või varalist kahju. Sein peab taluma vähemalt neljakordset teleri raskust. (Vaadake teleri viitejuhist selle raskust.)
- Kui seinakinnitus ei ole paigaldatud piisavalt tugevalt, võib teler kukkuda ja tekitada vigastusi või varalist kahju.

### Laske teleri liigutamist või eemaldamist teostada litsentsitud töövõtjatel.

Kui telerit transpordivad või eemaldavad seinalt mittelitsentsitud töövõtjad, võib teler kukkuda ja tekitada vigastusi või varalist kahju. Veenduge, et telerit transpordivad või paigaldavad vähemalt kaks isikut.

### Ärge eemaldage pärast teleri paigaldamist kruvisid vms.

Seda tehes võib teler kukkuda ja tekitada vigastusi või varalist kahju.

### Ärge tehke seinakinnituse osadele muudatusi.

Seda tehes võib seinakinnitus kukkuda ja tekitada vigastusi või varalist kahju.

### Paigaldage seinakinnitusele ainult selleks ettenähtud tooteid.

See seinakinnitus on mõeldud kasutamiseks ainult kindlate toodetega. Muude seadmete paigaldamisel võib seinakinnitus kukkuda või puruneda ja tekitada vigastusi või varalist kahju.

### Ärge asetage seinakinnitusele telerist suuremat koormust. Ärge raputage telerit vasakule/paremale ega üles/alla.

Seda tehes võib teler kukkuda ja tekitada vigastusi või varalist kahju.

### Ärge toetuge telerile või rippuge selle küljes.

Ärge toetuge telerile või rippuge selle küljes, kuna see võib teile peale kukkuda ja tekitada tõsise vigastuse.

## ETTEVAATUST

Järgmiste ettevaatusabinõude eiramine võib tekitada vigastusi või varalist kahju.

### Ärge rakendage toote puhastamisel või hooldamisel liigset jõudu.

Ärge rakendage teleri pealmisele küljele liigset jõudu. Seda tehes võib teler kukkuda ja tekitada vigastusi või varalist kahju.

## Ettevaatusabinõud

- Teleri pikaajalisel kasutamisel seinakinnitusele paigaldatuna võib teleri taga või selle kohal olev sein värvi muuta või tapeet lahti tulla, olenevalt materjalist.
- Seinakinnituse seinalt eemaldamisel jäävad seinasse sisse alles augud.
- Ärge kasutage seinakinnitust kohas, kus see puutub kokku mehaaniliste vibratsioonidega.

## Seinakinnituse paigaldamine

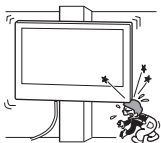
### Sony edasimüüjatele

### HOIATUS

Järgmised suunised on mõeldud ainult Sony edasimüüjatele. Lugege läbi eelnevalt kirjeldatud ohutusabinõud ja pöörake toote paigaldamisel, hooldamisel ja kontrollimisel erilist tähelepanu ohutusele.

## Ärge paigaldage seinakinnitust seinale, kus teleri nurgad või küljed eenduvad seinast.

Ärge paigaldage seinakinnitust seinale, nt piilarile, kus teleri nurgad või küljed eenduvad seinast. Teleri eenduva nurga või külje vastu pörkumine võib tekitada vigastusi või varalist kahju.

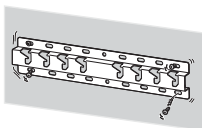


## Ärge paigaldage telerit õhukonditsioneeriga alla või selle kohale.

Teleri pikaajaline kokkupuude õhukonditsioneerist tuleva õhuvoolu või sellest lekkiva veega võib tekitada tulekahju või elektrilöögi või põhjustada teleri rikke.

## Paigaldage seinakinnitust tugevalt seinale, järgides käesoleva kasutusjuhendi suuniseid.

Kui mõni kruvi on halvasti kinnitatud või kukub välja, võib seinakinnitust kukkuda ja tekitada vigastusi või varalist kahju. Kasutage seinamaterjalile vastavaid nõuetekohaseid kruvisid ja paigaldage seinakinnitust tugevalt vähemalt nelja 8 mm läbimõõduga (või samaväärse) kruviga.



**Veenduge, et kasutate kaasasolevaid kruvisid ja kinnitusdetalle õigesti vastavalt käesoleva kasutusjuhendi suunistele. Kinnitusvahendite asendamisel võib teler kukkuda ja saada kahjustusi või põhjustada kellelegi kehavigastuse.**

## Pange seinakinnitust õigesti kokku vastavalt käesoleva kasutusjuhendi suunistele.

Kui mõni kruvi on halvasti kinnitatud või kukub välja, võib teler kukkuda ja tekitada vigastusi või kahjustada telerit.

## Keerake kruvid tugevalt kinni ettenähtud kohtades.

Vastasel korral võib teler kukkuda ja saada kahjustusi või põhjustada kellelegi kehavigastuse.

## Veenduge, et teler ei saaks paigaldamise ajal pörutada.

Pörutuste korral võib teler kukkuda või puruneda. See võib tekitada vigastuse.

## Paigaldage teler vertikaalsele ja siledale seinale.

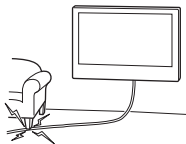
Vastasel korral võib teler kukkuda ja tekitada vigastuse.

## Pärast teleri nõuetekohast paigaldamist veenduge, et kaablid on paigaldatud ohutult.

Kaablitessetakerdumine võib tekitada vigastuse või kahjustada telerit.

## Vältige vahelduvvoolu toitekaabli või ühenduskaabli muljumist.

Kui vahelduvvoolu toitekaabel või ühenduskaabel on seinakinnituse ja teleri vahele surutud või neid on jõuga väänatud, võivad kaablisisesed elektrijuhtmed tekitada lühise või põhjustada elektrikatkestuse. See võib põhjustada tulekahju või elektrilöögi.



## Seinakinnituse seinale kinnitamiseks ettenähtud kruvid ei kuulu komplekti.

Kasutage seinakinnituse paigaldamisel seinamaterjalile ja konstruktsioonile vastavaid kruvisid.

## Teleri paigaldamine seinale

Paigaldusprotsess on sõltuvalt telerist erinev. Kasutage teleri seinale paigaldamiseks seinale paigaldamise kinnitust SU-WL450.

### Märkus.

- Hoidke eemaldatud kruvisid kindlas, lastele kättesaamatus kohas.

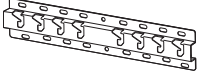













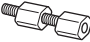



## Ettevalmistus

- Hoidke teleri viitejuht enne paigaldamist käepärases kohas.
- Enne paigaldamist veenduge, et teil olemas sobiv Phillipsi kruvikeeraja.
- Määrake kindlaks teleri paigalduskoht.
- Varuge vähemalt neli 8 mm läbimõõduga ja üks 5 mm läbimõõduga kruvi või samaväärsed (ei kuulu komplekti). Valige seinamaterjaliga sobivad kruvid.


## Osade kontroll

### Komplektis SU-WL450-ga

- Veenduge, et kõik osad on olemas.

Ⓐ Alus (20) (1) 	Ⓑ Rihmaratas (2) 
Ⓒ PSW 6 x 20 (4) 	Ⓓ PSW 4 x 20 koos vahepuksiga (2) 
Ⓔ Vaherõngas (20) (2) 	Ⓕ Rihm (1) 
Ⓖ Puks (20) (M4) (2) 	Ⓗ PSW 4 x 20 (2) 
Ⓘ Aluse adapter (2) 	Ⓙ PSW 4 x 10 (8) 
Ⓚ Vaherõngas (60) (2) 	Ⓛ PSW 6 x 50 (2) 
Ⓜ Puks (M4) (2) 	Ⓝ PSW 4 x 50 (2) 
Ⓞ Seinale paigaldamise kinnitus (5) (2) 	Ⓟ Vaherõngas (2) 
Ⓠ Seib (1) 	Ⓡ PSW 5 x 12 (1) 

### Komplektis teleriga (kinnitatud tagaküljele)

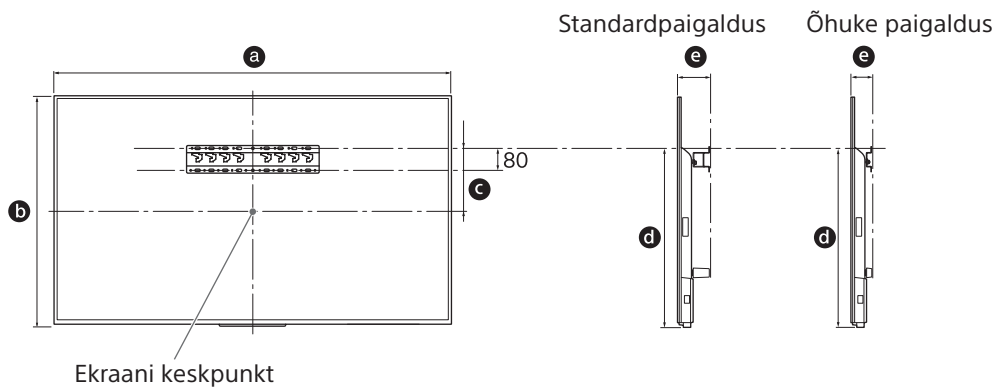
Kaablihoidja (1) 
---

# Paigalduskoha valimine

## 1 Tehke kindlaks paigalduskoht.

Veenduge, et seinal oleks teleri jaoks piisavalt ruumi ja see suudab kanda vähemalt neljakordset teleri raskust.

Vaadake teleri seinale paigaldamisel järgmist tabelit. Vaadake teleri raskust teleri viitejuhust.



Ühik: mm

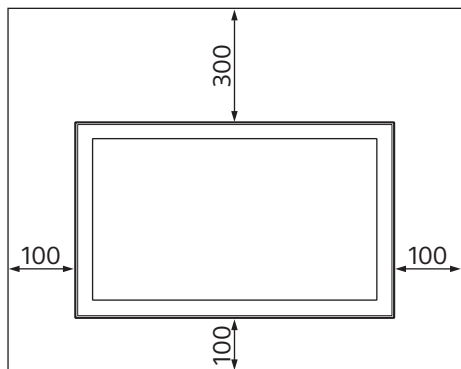
Mudeli nimi KD-	Ekraani mõõtmed		Ekraani keskpunkti mõõde	Paigalduse pikkus		
	a	b	c	d	e	
					Standard- paigaldus	Õhuke paigaldus
55XD80□□	1231	717	129	494	102	60
49XD83□□ 49XD80□□	1093	639	181	508	102	60
43XD83□□	960	564	209	498	108	66
43XD80□□	960	564	209	498	107	65

### Märkus.

- Sõltuvalt paigaldusest võivad tabelis olevad arvud vähesel määral erineda.

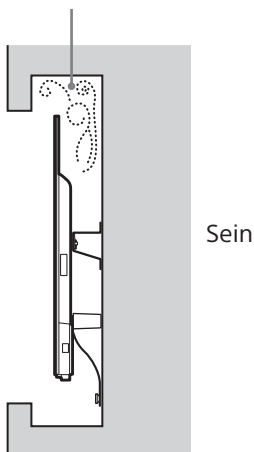
Jätke teleri ja lae ning seina eenduvate osade vahele piisavalt vaba ruum, nagu allpool näidatud.

Ühik: mm



- Korraliku ventilatsiooni tagamiseks ja tolmu ning mustuse kogunemise vältimiseks tehke järgmist:
  - ärge asetage telerit lamedalt, tagurpidi, selg väljapoole ega külili;
  - ärge asetage telerit riulisse, vaibale, voodisse ega kappi;
  - ärge katke telerit riidega, nagu kardinad, ega ajalehtede vms;
  - ärge paigaldage telerit nii, nagu näidatud allpool.

Õhuringlus on blokeeritud.



### Märkus.

- Kui teil on plaanis vedada juhtmed seina seest, tehke enne teleri paigaldamist seina sisse kaablite jaoks auk.
- Kaablite kokkusurumise vältimiseks tehke seina sisse auk aluse (20) **A**, aluse adapter (1) ja vaherõnga (20) **B**, vaherõnga (60) **K** perimeetrist kaugemale.

## 2 Valige seinale paigaldamise viis.

Kauguse teleri tagaküljest seinani saab valida järgmiselt.

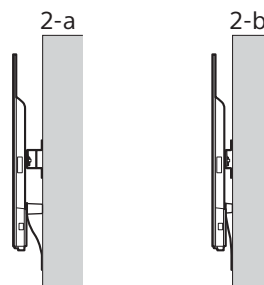
**2-a** Standardkinnitus

**2-b** Õhuke kinnitus

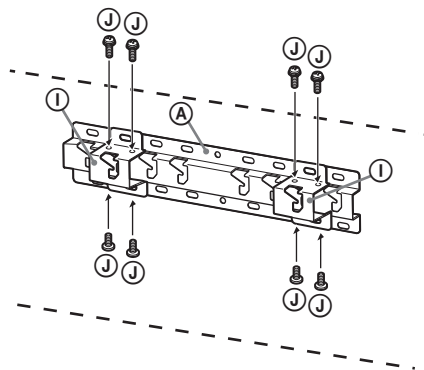
Vaadake sammus 1 olevat tabelit.

### HOIATUS

- 2-b valimisel on juurdepääs tagumisele liitmikule piiratud.

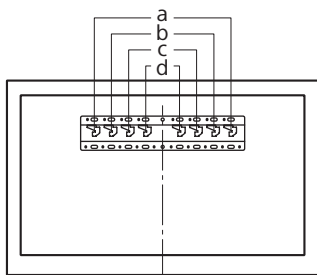


2-a valimisel paigaldage aluse adapter **I** kruviga (PSW 4 x 10) **J** alusele (20) **A**.



- 3 Aluse adapteri kinnituskoha jaoks vaadake allolevat tabelit. 2-b valimisel jätke see samm vahele.

Mudeli nimi KD-	Konksu asukoht
55XD80□□	c
49XD83□□	
49XD80□□	
43XD83□□	d
43XD80□□	



- 4 Määrake kindlaks aluse (20) A paigaldamiseks mõeldud kruvide kinnituskohad.

Vt tehnilisi andmeid lk 12.

2-a valimisel kasutage aluse adapteri ① augukohti.

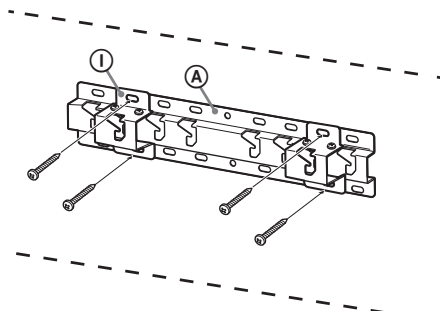
#### HOIATUS

- Sein, kuhu teler paigaldatakse, peab taluma vähemalt **neljakordset** teleri massi (Vaadake teleri viitejuhust selle raskust.).
- Tehke kindlaks seina tugevus, millele teler paigaldatakse. Vajaduse korral tugevdage seina piisaval määral.

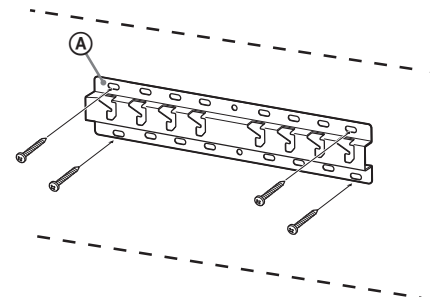
## Aluse paigaldamine seinale

- Kasutage vähemalt nelja 8 mm läbimõõduga kruvi või samaväärset (ei kuulu komplekti).
- **Pange neli kruvi aluse adapteri ① aukudesse koos alusega (20) A (Ainult 2-a).**
- Paigaldage alus (20) A seinale horisontaalselt.

2-a

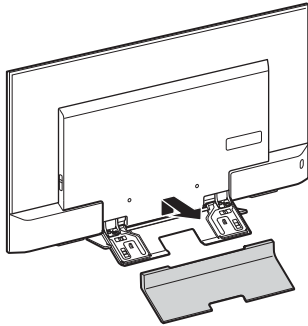


2-b



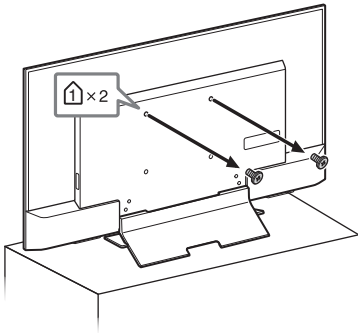
## Ettevalmistus teleri paigaldamiseks

- 1 Eemaldage aluse kate.  
(Ainult mudel KD-55XD80□□)

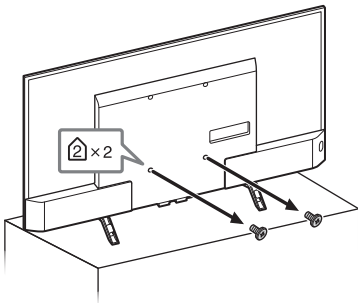


- 2 Eemaldage teleri tagaküljelt kruvid.

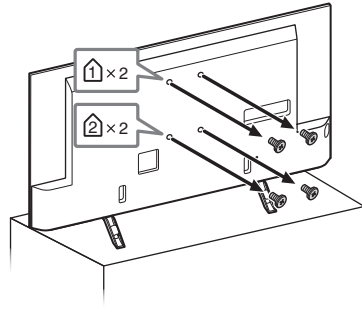
KD-55XD80□□



KD-49XD83□□/49XD80□□



KD-43XD83□□/43XD80□□

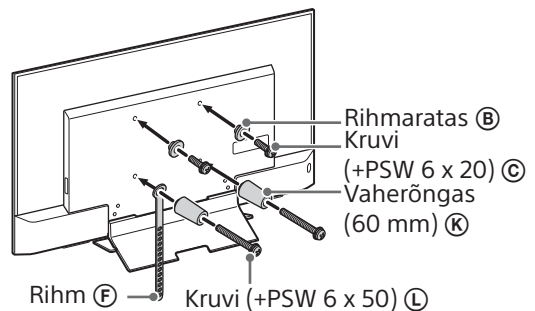


- 3 Kinnitage seinale paigaldamise kinnituse kinnitusdetailid. Kontrollige kinnitusdetailide vastavalt jaotise „Osade kontroll“ lõigule „Komplektis SU-WL450-ga“ lk 5.

### Märkus.

- Kinnitage kinnitusdetailid tugevalt kruvidega.
- Kui kasutate elektroonilist kruvikeerajat, seadistage kinnitusemomendiks umbes 1,5 N·m {15 kgf·cm}.
- Hoidke kasutamata detaile hilisemaks kasutamiseks kindlas kohas. Hoidke see juhend hilisemaks lugemiseks alles.

### Standardpaigaldus (2-a)

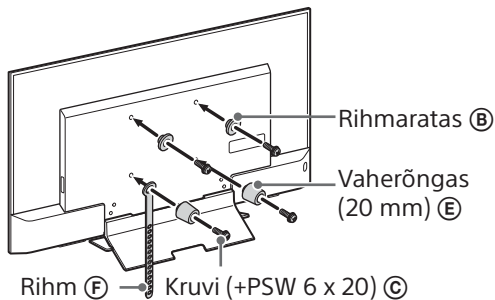
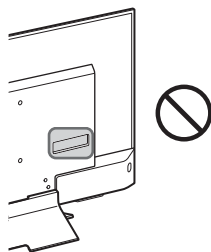


EE

## Õhuke paigaldus (2-b)

### Märkus.

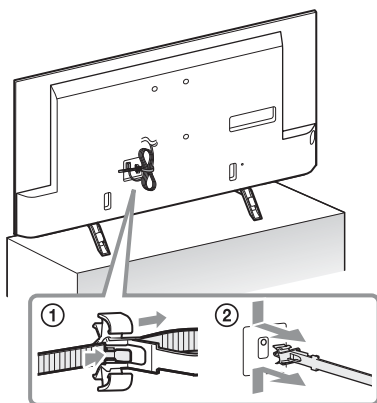
- Seda kinnitusstiili kasutades ei saa te kasutada mõnesid teleri tagaküljel olevaid klemme.



## 4 Ühendage vajalikud kaablid teleriga.

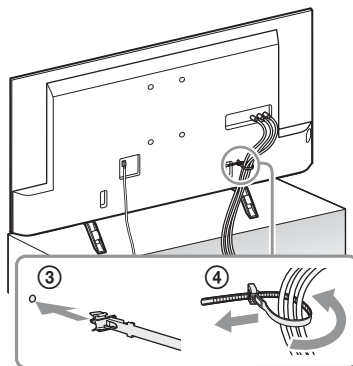
Ühendage kaablid enne teleri paigaldamist seinale. Pärast teleri paigaldamist ei saa kaableid ühendada. Vaadake teleriga komplektis olevat viitejuhti.

## 5 Eemaldage kaablihoidja (komplektis teleriga). (Ainult mudel KD-43XD83□□/43XD80□□)



## 6 Siduge kaablid klambriga kokku.

KD-43XD83□□/43XD80□□ korral kinnitage kaablihoidja ühte siseaukudest.

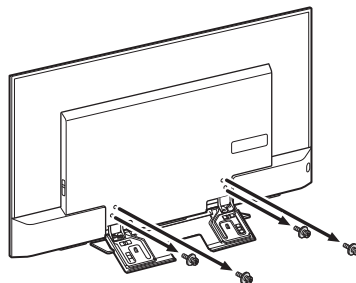


### Märkus.

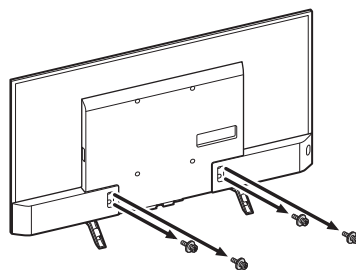
- Laske kaablite vedamine seinale seest teha litsentsitud töövõtjal.
- Siduge ühenduskaablid enne teleri seinale paigaldamist omavahel kokku, et vältida nendele astumist.

## 7 Eemaldage lauapealne alus telerilt.

Ainult mudel KD-55XD80□□



V.a KD-55XD80□□



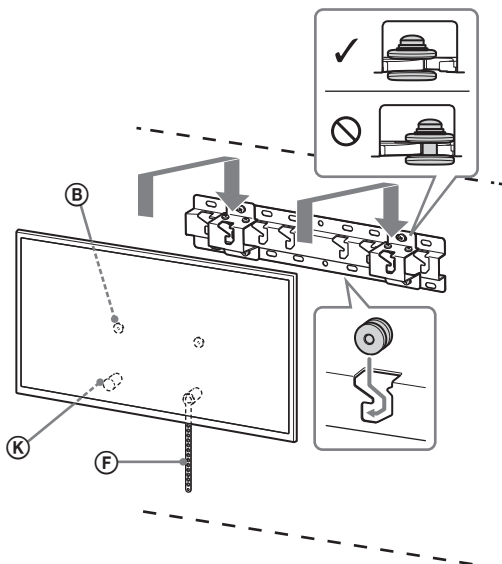


# Teleri paigaldamine seinale

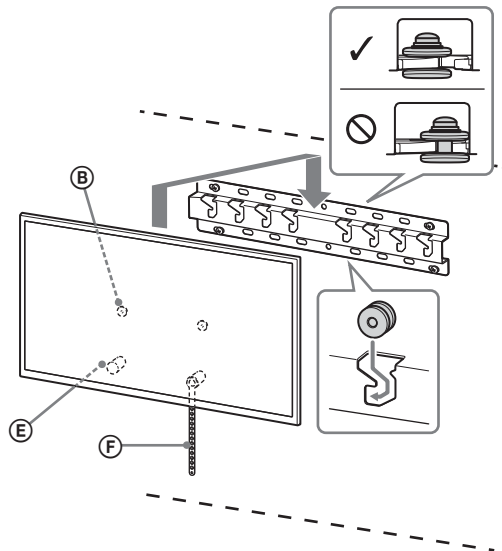
## 1 Kinnitage teler aluse külge.

- Rihmarataste ② kohtade määramiseks alusele toetamiseks vaadake lk 8 jaotise „Paigalduskoha valimine” sammus 3 olevat tabelit.
- Hoidke telerist kahe käega tugevalt kinni ja toetage teleri tagaküljele kinnitatud rihmarattad ② ettevaatlikult alusele ning veenduge, et aukude kujud sobivad.
- Pärast teleri paigaldamist seinale veenduge, et rihmarattad ② on tugevalt alusele või aluse adapterile kinnitunud.

2-a



2-b

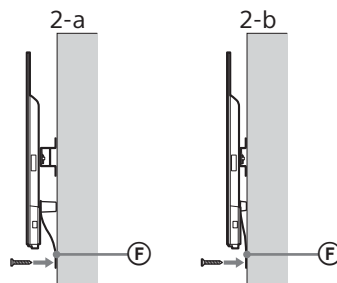


### HOIATUS

- Veenduge, et telerit transpordivad vähemalt kaks inimest.

## 2 Teleri alumise osa liikumise takistamine.

- Tõmmake rihtm ⑥ pingule ja kinnitage tugevalt seina külge.



- Kasutage 5 mm läbimõõduga kruvi või samaväärset (ei kuulu komplekti).

### Märkus.

- Proovige tõmmata teleri alla veidi ettepoole, veendumaks, et teler ei liigu ettepoole. Kui teler liigub ettepoole, ei ole see korralikult fikseeritud ja rihtm ⑥ tuleb uuesti tugevalt kinnitada.

EE

## Paigaldusjärgne kontroll

Kontrollige järgmist.

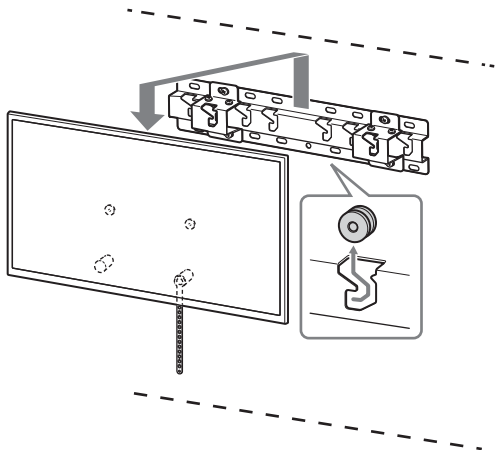
- Rihmarattad (B) on tugevalt alusele või aluse adapterile kinnitunud.
- Toite- ja ühenduskaablid ei ole väändunud ega kokku surutud.
- Rihm (E) on korralikult pingul.

### HOIATUS

- Vahelduvvoolu toitekaabli jms paigaldamine valesse kohta võib põhjustada lühise tagajärjel elektrilöögi või tulekahju. Teostage paigaldusjärgne kontroll, et tagada ohutus.

## Muu teave

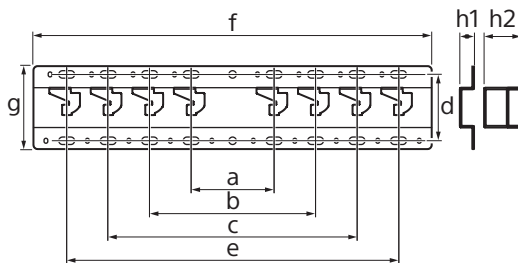
Teleri seinalt eemaldamisel järgige eelpool kirjeldatud paigaldustoimingut vastupidises järjekorras.



### HOIATUS

- Veenduge, et telerit eemaldavad vähemalt kaks inimest.

## Tehnilised andmed



### Mõõtmed: (umbes) [mm]

- a : 100
- b : 200
- c : 300
- d : 80
- e : 400
- f : 480
- g : 100

h1 : 20 (korpus 2-b)

h2 : 60 (korpus 2-a)

### Mass (ainult alus): (umbes) [kg]

0,8

Disaini ja tehnilisi andmeid võidakse muuta ilma etteteatamata.

# Uzstādīšanas informācija Sony sienas montāžas kronšteina izmantošanai (SU-WL450)

## Atbalstītie modeļi:

**KD-55XD80□□\*/49XD83□□\*/49XD80□□\*/43XD83□□\*/  
43XD80□□\***

\* Piedāvāto modeļu nosaukumos "□□" norāda katram modelim unikālus skaitļus un/vai rakstzīmes.

Klientiem

izstrādājuma aizsardzības un drošības apsvērumu dēļ "Sony" iesaka televizoru uzstādīšanu uzticēt "Sony" izplatītājiem vai licencētiem uzņēmējiem. Nemēģiniet to uzstādīt saviem spēkiem.

Sony izplatītājiem un darbu izpildītājiem

Uzstādīšanas un arī periodisko apkopju un pārbaūžu laikā pievērsiet lielu uzmanību drošībai.

Šī izstrādājuma uzstādīšanai ir nepieciešamas atbilstošas zināšanas, it īpaši, lai noteiktu, vai siena spēs izturēt televizora svaru. Izstrādājuma piestiprināšanu pie sienas uzticiet "Sony" izplatītājiem vai licencētiem darbu uzņēmējiem un uzstādīšanas laikā pievērsiet uzmanību drošībai. Sony neuzņemsies atbildību par materiāliem zaudējumiem vai traumām, kas radušās nepareizas rīkošanās vai nepareizas uzstādīšanas dēļ.

Lai veiktu drošu un pareizu nostiprināšanu, ievērojiet sienas montāžas kronšteina lietošanas instrukcijas, kā arī televizora uzsākšanas ceļvedis un šīs rokasgrāmatas norādījumus.

## Drošība

Pateicamies, ka iegādājāties šo izstrādājumu.

### Informācija klientiem

Lai uzstādītu šo izstrādājumu, vajadzīgas atbilstīgas prasmes. Uzticiet uzstādīšanu "Sony" izplatītājiem vai licencētiem līgumstrādniekiem un raugieties, lai uzstādīšanas laikā tiktu ievērota drošība. "Sony" neuzņemas atbildību par bojājumiem vai traumām, kas rodas, ja izstrādājums netiek izmantots vai uzstādīts pareizi vai ja tiek uzstādīts neapstiprināts izstrādājums. Jūsu likumīgās tiesības (ja tādas attiecināmas) paliek spēkā.

### Informācija "Sony" izplatītājiem

Lai uzstādītu šo izstrādājumu, vajadzīgas atbilstīgas prasmes. Lai varētu droši uzstādīt izstrādājumu, noteikti izlasiet šo rokasgrāmatu. "Sony" neuzņemas atbildību par bojājumiem vai traumām, kas rodas, ja izstrādājums netiek izmantots vai uzstādīts pareizi. Pēc izstrādājuma uzstādīšanas nododiet šo rokasgrāmatu klientam.

Šajā rokasgrāmatā paskaidrots, kā pareizi apieties ar izstrādājumu un kas jāņem vērā, lai izvairītos no negadījumiem. Rūpīgi izlasiet šo rokasgrāmatu un izmantojiet izstrādājumu pareizi. Saglabājiet šo rokasgrāmatu, lai vajadzības gadījumā varētu to pārskatīt.

Visi "Sony" izstrādājumi ir radīti, domājot par drošību. Taču, ja izstrādājums tiek izmantots nepareizi, jūs varat gūt nopietnas traumas, kuras rada uguns, strāvas trieciens un ierīces apgāšanās vai nokrišana. Noteikti ievērojiet drošības norādes, lai izvairītos no šādiem negadījumiem.

## UZMANĪBU!

### Specializēti izstrādājumi

Šis sienas kronšteins paredzēts lietošanai ar noteiktiem televizoriem. Lai noskaidrotu par iespēju izmantot kronšteinu montāžai pie sienas, skatiet šā televizora atsauces rokasgrāmatu.

## Informācija klientiem

### BRĪDINĀJUMS!

Neievērojot tālākās norādes, var gūt smagas vai nāvējošas traumas aizdegšanās, strāvas trieciena vai ierīces nokrišanas rezultātā.

### Uzticiet uzstādīšanu licencētiem līgumstrādniekiem un raugieties, lai uzstādīšanas laikā tuvumā neatrastos mazi bērni.

Ja kronšteins stiprināšanai pie sienas vai televizors nav uzstādīts pareizi, rodas tālāk norādīto negadījumu risks. Uzstādīšanu noteikti uzticiet licencētiem līgumstrādniekiem.

- Televizors var nokrist un radīt jums nopietnas traumas, piemēram, nobrāzumus vai lūzumus.
- Ja siena, pie kuras piestiprināts kronšteins, ir nestabila, nelidzēna vai tā nav perpendikulāra attiecībā pret grīdu, ierīce var nokrist un radīt jums traumas vai materiālus zaudējumus. Sienai jāspēj noturēt svārs, kas ir vismaz četras reizes lielāks par televizora svaru. (Sava televizora svaru skatiet televizora atsauces rokasgrāmatā.)
- Ja kronšteins pie sienas nav pienācīgi piestiprināts, konstrukcija var nokrist un radīt jums traumas vai materiālus zaudējumus.

### Televizora pārvietošanu vai noņemšanu no kronšteina noteikti uzticiet licencētiem līgumstrādniekiem.

Ja televizoru pārvieto vai noņem nelicencētas personas, tas var nokrist un radīt traumas vai materiālus zaudējumus. Televizors ir jānes vai jānoņem no kronšteina vismaz diviem cilvēkiem.

### Kad televizors ir piestiprināts pie kronšteina, neizskrūvējiet skrūves u. c.

Pretējā gadījumā televizors var nokrist un radīt traumas vai materiālus zaudējumus.

### Nepārveidojiet sienas kronšteina detaļas.

Pretējā gadījumā sienas kronšteins var nokrist un radīt traumas vai materiālus zaudējumus.

### Pie kronšteina piestipriniet tikai tam paredzētas ierīces.

Šis sienas kronšteins ir paredzēts lietošanai ar noteiktām ierīcēm. Uzstādot neapstiprinātas ierīces, tās var nokrist vai salūzt un radīt jums traumas vai materiālus zaudējumus.

### Uz kronšteina atļauts balstīt tikai televizoru. Nekratiet televizoru pa kreisi/labi, uz augšu/leju.

Pretējā gadījumā televizors var nokrist un radīt traumas vai materiālus zaudējumus.

### Neatspiedieties pret televizoru vai nekarājieties pie tā.

Neatspiedieties pret televizoru vai nekarājieties pie tā, jo tas var uzkrīst jums virsū un radīt nopietnas traumas.

## UZMANĪBU!

Neievērojot tālāk norādītās instrukcijas, jums var rasties traumas vai materiāli zaudējumi.

### Tīrot vai veicot apkopi, nepielietojiet pārāk daudz spēka.

Darbojoties ar televizora augšpusi, nepielietojiet pārāk daudz spēka. Pretējā gadījumā televizors var nokrist un radīt traumas vai materiālus zaudējumus.

## Noderīga informācija

- Ja televizors pie sienas kronšteina ir piestiprināts ilgu laiku, atkarībā no sienas materiāla siena aiz vai virs televizora var iekrāsoties citā krāsā vai var atīmēties tapetes.
- Kad sienas kronšteins tiek noņemts, sienā paliek skrūvju caurumi.
- Nelietojiet sienas kronšteinu vietās, kur uz to var iedarboties mehāniskas vibrācijas.

### Sienas kronšteina uzstādīšana

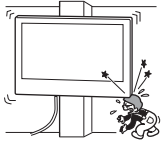
#### Informācija "Sony" izplatītājiem

### BRĪDINĀJUMS!

Tālākās instrukcijas paredzētas tikai "Sony" izplatītājiem. Noteikti izlasiet iepriekš norādīto drošības informāciju un ievērojiet drošību, kad uzstādāt, apkopjat vai pārbaudāt šo izstrādājumu.

## Neuzstādiet sienas kronšteinu vietās, kur televizora stūri vai sāni pēc tam atradīsies nost no uzstādīšanas virsmas.

Neuzstādiet sienas kronšteinu vietās, kur televizora stūri vai sāni pēc tam atradīsies nost no uzstādīšanas virsmas, piemēram, pie kolonnas. Ja cilvēks vai priekšmets uzgrūdsies televizora sāniem vai stūrim, kas atrodas nost no virsmas, var rasties traumas vai materiāli zaudējumi.

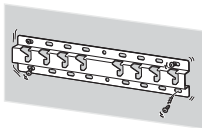


## Neuzstādiet televizoru virs vai zem gaisa kondicionētāja.

Ja uz televizora nonāk ūdens vai uz to ilgstoši tiek pūsta gaisa plūsma no kondicionētāja, var rasties uguns vai strāvas trieciena risks vai televizors var sākt darboties nepareizi.

## Noteikti uzstādiet sienas kronšteinu pareizi un ievērojiet norādes šajā rokasgrāmatā.

Ja kāda no skrūvēm ir vaļīga vai izkritusi, sienas kronšteins var nokrist un radīt traumas vai materiālus zaudējumus. Noteikti izmantojiet sienas materiālam atbilstīgas skrūves un pareizi uzstādiet izstrādājumu, izmantojot četras vai vairāk 8 mm diametra skrūves (vai līdzvērtīgas).



**Piegādātās skrūves un stiprinājuma detaļas izmantojiet pareizi, kā norādīts šajā lietošanas rokasgrāmatā. Izmantojot citas detaļas, televizors var nokrist un tikt bojāts vai radīt traumas.**

## Kronšteinu samontējiet, ievērojot lietošanas rokasgrāmatā norādīto procesu.

Ja kāda no skrūvēm ir vaļīga vai izkritusi, televizors var nokrist un tikt bojāts vai arī radīt traumas.

## Kārtīgi pievelciet skrūves paredzētajās vietās.

Pretējā gadījumā televizors var nokrist un tikt bojāts vai arī radīt traumas citiem.

## Uzstādot televizoru, nepakļaujiet to triecieniem.

Ja televizors tiek pakļauts triecienam, tas var nokrist vai salūzt. Tas var radīt traumas.

## Televizoru uzstādiet uz sienas, kas ir gan perpendikulāra attiecībā pret grīdu, gan līdzena.

Pretējā gadījumā televizors var nokrist un radīt traumas.

## Kad televizors ir uzstādīts, cieši nostipriniet vadus.

Ja cilvēki vai priekšmeti sapīsies vadus, tas var radīt traumas cilvēkiem vai bojāt televizoru.

## Nesaspiediet maiņstrāvas vadu vai savienojuma kabeli.

Ja maiņstrāvas vads vai savienojuma kabelis ir iespiests starp kronšteinu un sienu vai ar spēku tiek locīts vai vērpts, iekšējie vadi var atsegties un radīt issavienojumu vai strāvas caursīti. Tas var izraisīt aizdegšanos vai strāvas triecienu.



## Skrūves kronšteina piestiprināšanai pie sienas nav iekļautas komplektā.

Piestiprinot sienas kronšteinu, izmantojiet skrūves, kas piemērotas sienas materiālam un uzbūvei.

## Televizora piestiprināšana pie sienas

Uzstādīšanas process katram televizoram ir atšķirīgs.

Televizora montāžai pie sienas izmantojiet sienas montāžas kronšteinu SU-WL450.

### Piezīme

- Noteikti novietojiet izskrūvētās skrūves drošā, bērniem nesasniedzamā vietā.

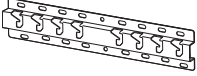













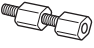



## Sagatavošanās uzstādīšanai

- Pirms uzstādīšanas jau sameklējiet televizora atsaucis rokasgrāmatas.
- Vēl pirms detaļu montēšanas pārlicinieties, vai jums ir krustveida skrūvgriezis, kas der attiecīgajām skrūvēm.
- Pārbaudiet televizora uzstādīšanas pozīciju.
- Sagatavojiet četras vai vairāk 8 mm diametra skrūves un vienu 5 mm diametra skrūvi vai līdzvērtīgas (nav iekļautas komplektā). Izvēlieties skrūves, kas piemērotas sienas materiālam.

## Detaļu pārbaude

### Komplektā ar SU-WL450

- Pārbaudiet, vai iekļautas visas detaļas.

Ⓐ Pamatne (20) (1) 	Ⓑ Trīsis (2) 
Ⓒ PSW 6x20 (4) 	Ⓓ PSW 4x20 ar ieliktni (2) 
Ⓔ Starplika (20) (2) 	Ⓕ Saite (1) 
Ⓖ Bukse (20) (M4) (2) 	Ⓗ PSW 4x20 (8) 
Ⓘ Pamatnes adapteris (2) 	Ⓙ PSW 4x10 (8) 
Ⓚ Starplika (60) (2) 	Ⓛ PSW 6x50 (2) 
Ⓜ Bukse (M4) (2) 	Ⓝ PSW 4x50 (2) 
Ⓞ Sienas montāžas stiprinājums (S) (2) 	Ⓟ Starplika (2) 
Ⓠ Plāksne (1) 	Ⓡ PSW 5x12 (1) 

### Komplektā ar televizoru (piestiprināts aizmugurē)

Kabeļa turētājs (1)

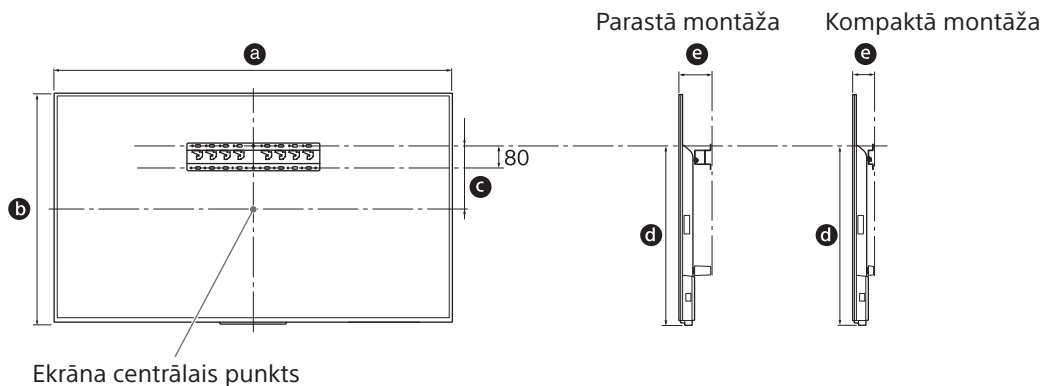


# Uzstādīšanas vietas izvēle

## 1 Izvēlieties uzstādīšanas vietu.

Pārbaudiet, vai siena ir pietiekami liela un spēj noturēt svaru, kas vienāds ar četrkāršu televizora svaru.

Skatiet turpmāk norādīto tabulu televizora uzstādīšanai pie sienas. Televizora svaru skatiet televizora atsauces rokasgrāmatā.



Mērvienība: mm

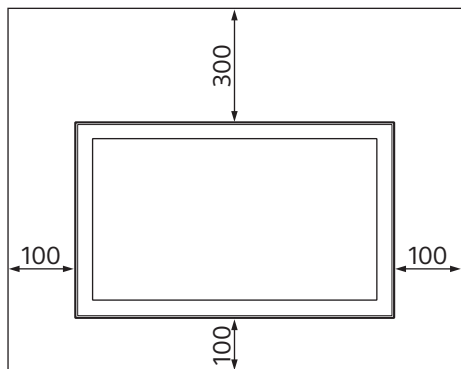
Modeļa nosaukums KD-	Displeja izmēri		Ekrāna centra izmērs	Stiprinājuma garums		
	a	b	c	d	e	
					Parastā montāža	Kompaktā montāža
55XD80□□	1231	717	129	494	102	60
49XD83□□ 49XD80□□	1093	639	181	508	102	60
43XD83□□	960	564	209	498	108	66
43XD80□□	960	564	209	498	107	65

### Piezīme

- Izmēri tabulā var nedaudz mainīties atkarībā no uzstādīšanas.

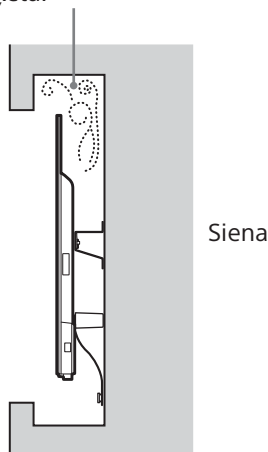
Starp televizoru un griestiem vai sienas izvirkājumiem jānodrošina pietiekami daudz brīvas telpas, kā parādīts tālāk.

Mērvienība: mm



- Lai nodrošinātu atbilstošu ventilāciju un novērstu netīrumu vai putekļu uzkrāšanos, rīkojieties šādi:
  - Nenovietojiet televizoru plakaniski, neuzstādiet to otrādi, atmuguriski vai sāniski.
  - Nenovietojiet televizoru uz skapja, paklāja, gultas vai skapī.
  - Nepārklājiet televizoru ar audumu, piemēram, aizkariem, vai tādiem priekšmetiem, kā, piemēram, avīzes.
  - Neuzstādiet televizoru atbilstoši zemāk redzamajam attēlam.

Gaisa cirkulācija tiek bloķēta.



### Piezīme

- Ja vēlaties vadus vadīt caur sienu, izveidojiet sienā caurumu un ievietojiet vadus pirms uzstādīšanas. Lai nesaspieztu vadus, izveidojiet sienā caurumu nedaudz sāņus no pamatnes (20) (A), pamatnes adapteris (I) un starplikas (20) (E), starplikas (60) (K) perimetra.

2 Izvēlieties, kā piestiprināt ierīci pie sienas. Attālumu no televizora aizmugures līdz sienai izvēlieties atbilstīgi tālākajiem norādījumiem.

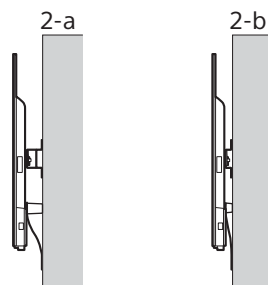
**2-a** Standarta stiprinājums

**2-b** Plānais stiprinājums

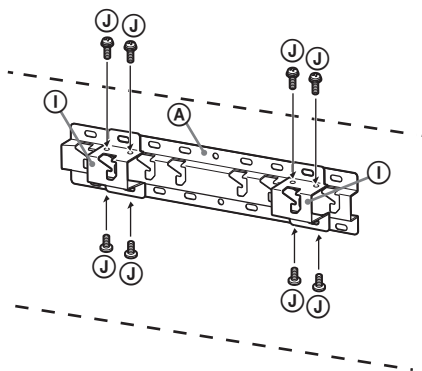
Skatiet 1. darbības tabulu.

### BRĪDINĀJUMS!

- Ja atlasīta 2-b. iespēja, būs ierobežota piekļuve aizmugures ligzdām.



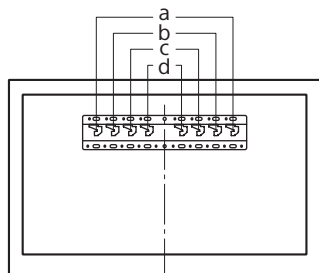
Uzstādiet pamatnes adapteri (I), izmantojot skrūvi (PSW 4x10) (J), pamatnei (20) (A); izmantojot šo metodi, ja izvēlēta 2-a.





- 3 Pamatnes pārejas uzstādīšanas vietu skatiet turpmākajā tabulā. Ja izvēlēta 2-b. iespēja, izlaidiet šo darbību.

Modeļa nosaukums KD-	Āķa atrašanās vieta
55XD80□□	c
49XD83□□	
49XD80□□	
43XD83□□	d
43XD80□□	



- 4 Izvēlieties, kurās vietās skrūvēsit skrūves, lai piestiprinātu pamatni (20) (A).

Skatiet specifikācijas 12. lapā.

**Ja atlasīta 2-a. iespēja, izmantojiet pamatnes adaptera (1) atveres.**

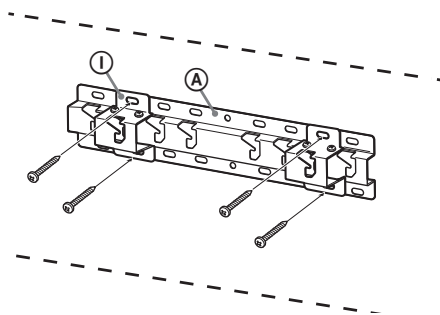
#### BRĪDINĀJUMS!

- Sienai, pie kuras stiprināsiet televizoru, jāspēj noturēt svaru, kas vismaz **četras reizes** pārsniedz televizora svaru (Sava televizora svaru skatiet televizora atsauces rokasgrāmatā.).
- Nosakiet tās sienas izturību, pie kuras stiprināsiet televizoru. Ja vajadzīgs, pastipriniet sienu.

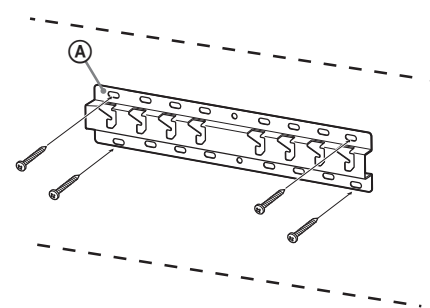
## Pamatnes piestiprināšana pie sienas

- Izmantojiet četras vai vairāk 8 mm diametra skrūves vai līdzvērtīgas (nav iekļautas komplektā).
- **Ieskrūvējiet četras skrūves pamatnes adaptera (1) atverēs, ar pamatni (20) (A) (tikai 2-a).**
- Pamatni (20) (A) uz sienas uzstādiet horizontāli.

2-a

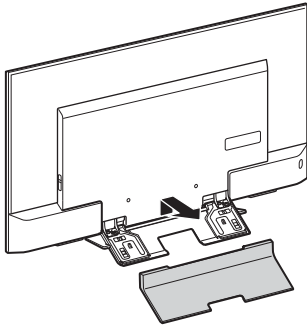


2-b



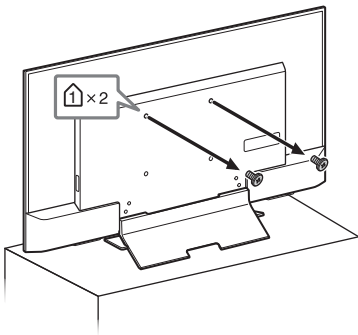
## Sagatavošanās televizora uzstādīšanai

- 1 Noņemiet statīva pārsegu.  
(tikai modelim KD-55XD80□□)

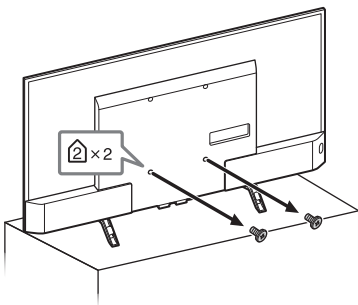


- 2 Izskrūvējiet televizora aizmugurē esošās skrūves.

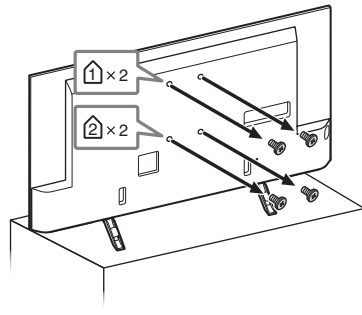
KD-55XD80□□



KD-49XD83□□/49XD80□□



KD-43XD83□□/43XD80□□

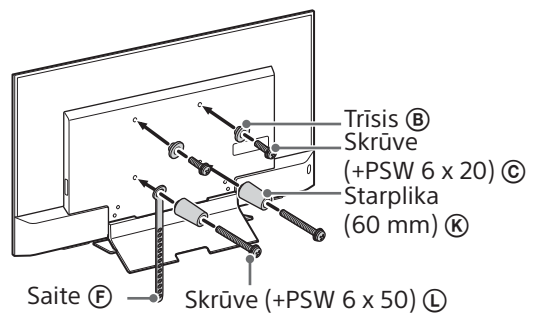


- 3 Piestipriniet sienas montāžas kronšteina stiprinājuma elementus. Pārbaudiet stiprinājuma elementus, skatot 5. lappusē sadaļas "Daļu pārbaude" nodaļu "Komplektā ar SU-WL450".

### Piezīme

- Cieši pieskrūvējiet stiprinājuma elementus.
- Ja tiek izmantots elektriskais skrūvgriezis, iestatiet griezes momentu uz apm. 1,5 Nm {15 kgf/cm}.
- Noteikti uzglabājiet neizmantotos elementus drošā vietā turpmākai lietošanai. Saglabājiet šo rokasgrāmatu turpmākām uzziņām.

### Parastā montāža (2-a)

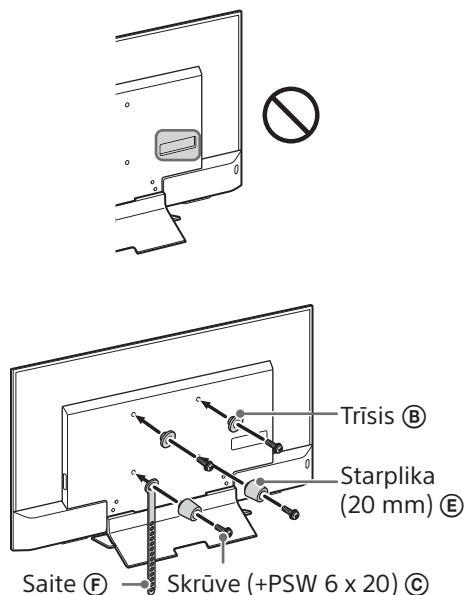


LV

## Kompaktā montāža (2-b)

### Piezīme

- Izmantojot šāda veida montāžu, nevarēsiet lietot dažas televizora aizmugurē esošās pieslēgumvietas.

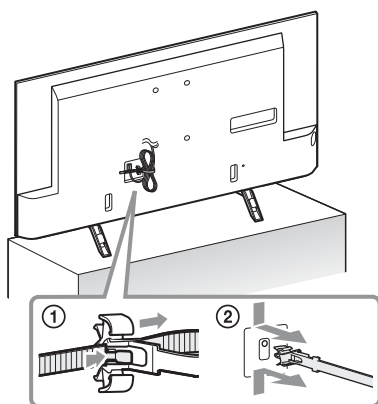


## 4 Iespraidiet televizorā vajadzīgo(-os) kabeļi(-ļus).

Pirms piestiprināt televizoru pie sienas, noteikti savienojiet kabeļus. Kad televizors jau būs uzstādīts, kabeļus nebūs iespējams savienot.

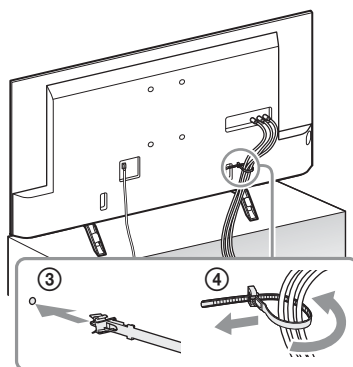
Skatiet televizora komplektācijā iekļauto atsauces rokasgrāmatu.

## 5 Atvienojiet kabeļa turētāju (iekļauts televizora komplektā). (tikai modeļiem KD-43XD83□□/43XD80□□)



## 6 Satiniet kabeļus.

Modeļiem KD-43XD83□□/43XD80□□: iestipriniet kabeļa turētāju kādā no iekšējām atverēm.

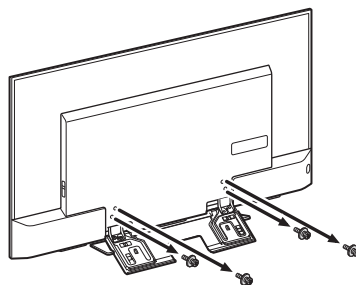


### Piezīme

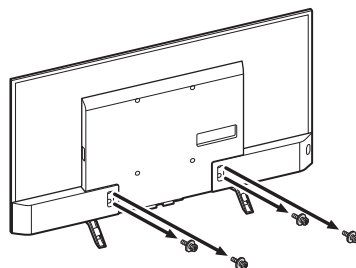
- Kabeļu iestrādāšanu sienā uzticiet licencētam līgumstrādniekam.
- Pirms stiprināt televizoru pie sienas, satiniet visus savienojuma kabeļus, lai neuzkāptu uz tiem.

## 7 Atvienojiet no televizora galda statīvu.

Tikai modeļiem KD-55XD80□□



Izņemot KD-55XD80□□

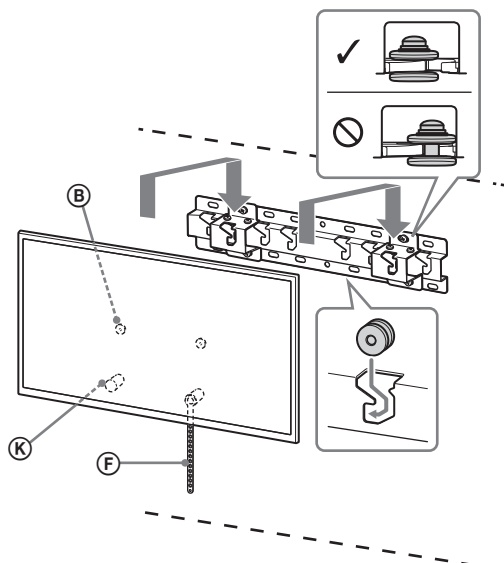


# Televizora piestiprināšana pie sienas

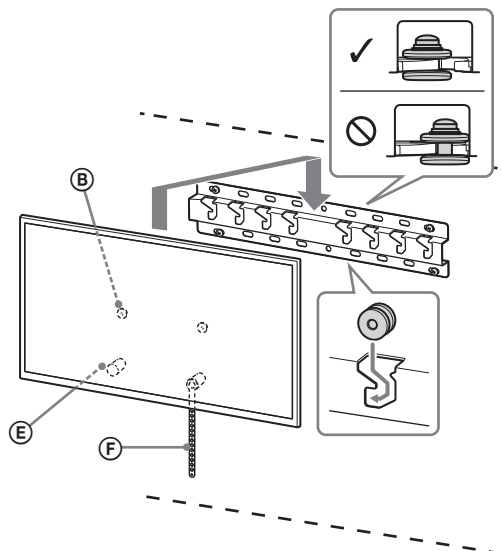
## 1 Uzstādiet televizoru uz pamatnes.

- Lai uzzinātu, kur uz pamatnes jāatrodas trišiem (B), skatiet sadaļas "Uzstādīšanas vietas izvēle" 3. darbību 8 lappusē.
- Turiet televizoru cieši ar abām rokām un uzmanīgi savienojiet televizora aizmugurē piestiprinātos trišus (B) ar pamatni tā, lai tie pareizi iegultu caurumos.
- Pēc televizora uzstādīšanas pie sienas pārbaudiet, vai triši (B) ir cieši piestiprināti pamatnei vai pamatnes adapterim.

2-a



2-b

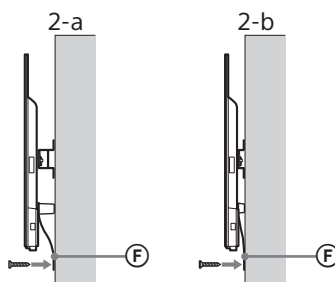


### BRĪDINĀJUMS!

- Lai televizoru nestu ir vajadzīgi vismaz divi cilvēki.

## 2 Nesasveriet televizora apakšpusi.

- Satveriet saites (F) galu un cieši piestipriniet to pie sienas.



- Izmantojiet 5 mm diametra skrūvi vai līdzvērtīgu (nav iekļauta komplektā).

### Piezīme

- Nedaudz pavelciet televizora apakšdaļu savā virzienā, lai pārlicinātos, ka tā nekustas. Ja jūtama kustība, televizors nav pareizi piestiprināts, un saite (F) vēlreiz ir cieši jāpiestiprina pie sienas.

LV

## Pārlicinieties, vai uzstādīšana veiksmīgi pabeigta

Pārlicinieties par tālāko.

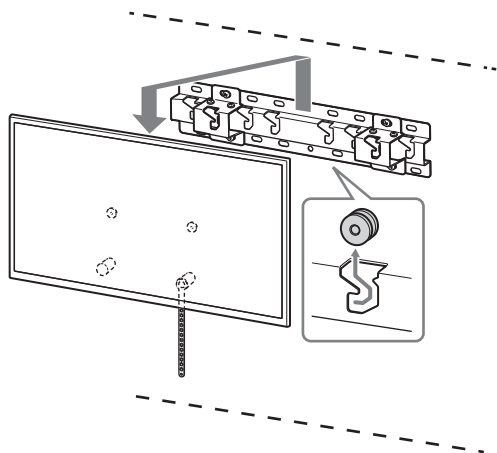
- Triši **(B)** ir cieši uzkarināti uz pamatnes vai pamatnes adaptera.
- Vads un kabelis nav savērpts vai saspiests.
- Saite **(F)** ir stingri nostiepta.

### BRĪDINĀJUMS!

- Ja maiņstrāvas vads tiek novietots nepareizi, var rasties īssavienojums, kas var izraisīt aizdegšanos vai strāvas triecienu. Drošības labad noteikti pārlicinieties, vai uzstādīšana paveikta pareizi.

## Cita informācija

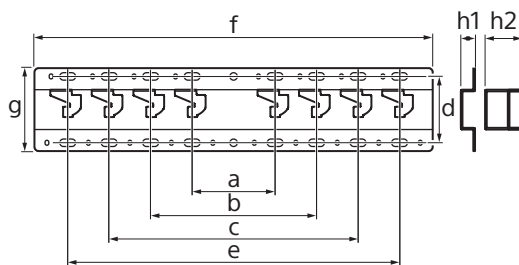
Noņemot televizoru, veiciet uzstādīšanas darbības pretējā secībā.



### BRĪDINĀJUMS!

- Lai televizoru noņemtu ir vajadzīgi vismaz divi cilvēki.

## Specifikācijas



### Izmēri: (aptuveni) [mm]

- a : 100
- b : 200
- c : 300
- d : 80
- e : 400
- f : 480
- g : 100

h1 : 20 (2-b variants)

h2 : 60 (2-a variants)

### Svars (pamatne): (aptuveni) [kg]

0,8

Konstrukcija un specifikācijas var tikt mainītas bez iepriekšēja brīdinājuma.

# Tvirtinimo informacija norint naudoti „Sony“ prie sienos tvirtinamą laikiklį (SU-WL450)

## Palaikomi modeliai:

**KD-55XD80□□\*/49XD83□□\*/49XD80□□\*/43XD83□□\*/  
43XD80□□\***

\* IFaktinių modelių pavadinimuose „□□“ rodo konkrečiai kiekvienam modeliui priskiriamus numerius ir (arba) ženklus.

## Pirkėjams

Siekiant apsaugoti gaminį ir užtikrinti saugumą, „Sony“ griežtai rekomenduoja, kad televizorių pritvirtintų „Sony“ prekybos atstovai arba licencijuoti tiekėjai. Nemėginkite jį tvirtinti patys.

„Sony“ prekybos atstovams ir tiekėjams

Tvirtindami šį gaminį, atlikdami jo reguliarią priežiūrą ir patikrinimą, visą dėmesį skirkite saugumui.

Norint pritvirtinti šį gaminį, reikia turėti pakankamai kompetencijos, ypač nustatant, ar siena galės išlaikyti televizoriaus svorį. Pasirūpinkite, kad „Sony“ prekybos atstovai ar licencijuoti tiekėjai pritvirtintų šį gaminį prie sienos. Tvirtinant pakankamas dėmesys turi būti skirtas saugumui. „Sony“ nėra atsakinga už jokią žalą ar sužalojimus, kilusius dėl netinkamo pernešimo ar montavimo.

Siekdami užtikrinti saugumą ir tinkamai pritvirtinti, vykdykite prie sienos tvirtinamo laikiklio Eksploatacijos instrukcijas, televizoriaus Paleisties vadove ir šiame vadove pateikiamus nurodymus.

## Sauga

Dėkojame, kad įsigijote šį gaminį.

### Pirkėjams

Norint sumontuoti šį gaminį, reikia turėti pakankamai kompetencijos. Dėl montavimo kreipkitės į „Sony“ prekybos atstovus ar licencijuotus tiekėjus, o montavimo metu ypatingą dėmesį skirkite saugai. „Sony“ nėra atsakinga už jokią žalą ar sužalojimus, kilusius dėl neteisingo pernešimo ar montavimo arba montuojant kitus, nei nurodyti, gaminius. Jūsų teisėms pagal įstatymą (jei tokių yra) tai įtakos neturi.

### „Sony“ prekybos atstovams

Norint sumontuoti šį gaminį, reikia turėti pakankamai kompetencijos. Atidžiai perskaitykite šią naudojimo instrukciją, kad montavimo darbus atliktumėte saugiai. „Sony“ nėra atsakinga už jokią žalą ar sužalojimus, kilusius dėl neteisingo pernešimo ar montavimo. Baigę montavimo darbus atiduokite šį vadovą pirkėjui.

Šioje naudojimo instrukcijoje rodoma, kaip teisingai elgtis su gaminiu ir pateikiamos svarbios atsargumo priemonės, kurių reikia laikytis, kad būtų išvengta nelaimingų atsitikimų. Atidžiai perskaitykite šį vadovą ir teisingai naudokite gaminį. Pasilikite šį vadovą, kad galėtumėte jį peržiūrėti ateityje.

„Sony“ gaminiai sukurti galvojant apie saugą. Jei gaminiai naudojami neteisingai, gali kilti gaisras, galima patirti elektros smūgį, gaminys gali nuvirsti ar užkristi ir taip rimtai sužaloti. Laikykites atsargumo priemonių dėl saugos, kad išvengtumėte tokių nelaimingų atsitikimų.

## DĖMESIO

### Tinkami gaminiai

Šis prie sienos tvirtinamas laikiklis skirtas tam tikriems TV. Norėdami patikrinti, su kuriais televizoriais galima naudoti prie sienos tvirtinamą laikiklį, žr. Nuorodinį vadovą.

## Pirkėjams

### ĮSPĖJIMAS

Nesilaikant toliau pateiktų atsargumo priemonių, gali kilti gaisras, galima patirti elektros smūgį arba gaminys gali nukristi – dėl to galima rimtai susižaloti ar net žūti.

### Pasirūpinkite, kad montavimo darbus atliktų licencijuoti tiekėjai, o montavimo metu neleiskite arti būti mažiems vaikams.

Jei prie sienos tvirtinamas laikiklis arba TV sumontuoti netinkamai, gali įvykti toliau nurodyti nelaimingi atsitikimai. Įsitikinkite, kad montavimo darbus atlieka licencijuoti tiekėjai.

- TV gali nukristi ir rimtai sužaloti galite patirti sumušimų arba lūžių.
- Jeigu siena, ant kurios montuojamas prie sienos tvirtinamas laikiklis yra nestabili, nelygi ar nestatmena grindims, įrenginys gali nukristi ir sužaloti arba sugadinti turėtą. Siena turėtų būti pakankamai tvirta, kad išlaikytų bent keturis kartus didesnę svorį nei TV.  
(Norėdami sužinoti televizoriaus svorį, žr. jo Nuorodinį vadovą.)
- Jeigu prie sienos tvirtinamas laikiklis bus sumontuotas nepakankamai tvirtai, įrenginys gali nukristi ir sužaloti arba sugadinti turėtą.

### TV pernešimo ar išėmimo darbus patikėkite licencijuotiems tiekėjams.

Jei TV transportavimo ar išėmimo darbus atliktų ne licencijuoti tiekėjai, TV gali nukristi ir sužaloti arba sugadinti turėtą. Pasirūpinkite, kad TV perneštų ir išimtumė bent du asmenys.

### Sumontavę TV, neišsukite sraigčių ar kt. dalių.

Jei tai padarysite, TV gali nukristi ir sužaloti arba sugadinti turėtą.

### Nekeiskite prie sienos tvirtinamo laikiklio dalių.

Jei tai padarysite, prie sienos tvirtinamas laikiklis gali nukristi ir sužaloti arba sugadinti turėtą.

### Nemontuokite kitos įrangos, išskyrus nurodytą gaminį.

Šis prie sienos tvirtinamas laikiklis skirtas naudoti tik su nurodytu gaminiu. Jeigu montuosite kitą, nei nurodytą, įrangą, ji gali nukristi arba lūžti, todėl sužaloti arba sugadinti turėtą.

### Prie sienos tvirtinamo laikiklio neapkraukite didesne, nei TV apkrova.

### Nekratykite TV kairėn / dešinėn arba aukštyn / žemyn.

Jei tai padarysite, TV gali nukristi ir sužaloti arba sugadinti turėtą.

### Nesilenkite ir nesikabinkite ant TV.

Nesilenkite ir nesikabinkite ant TV, nes jis gali ant jūsų užkristi ir rimtai sužaloti.

## DĖMESIO

Nesilaikant toliau nurodytų atsargumo priemonių, galima susižaloti arba sugadinti turėtą.

### Valydami gaminį ar atlikdami jo techninę priežiūrą, neveikite jo per didelę jėgą.

Nespauskite TV iš viršaus per stipriai. Jei tai padarysite, TV gali nukristi ir sužaloti arba sugadinti turėtą.

## Atsargumo priemonės

- Jei TV, sumontuotą ant prie sienos tvirtinamo laikiklio naudosite ilgą laiką, siena už TV ar virš jo gali nublukti arba tapetai gali atsiklijuoti, priklausomai nuo to, iš kokių medžiagų pastatyta siena.
- Nuėmus prisuktą prie sienos tvirtinamą laikiklį, sienoje liks sraigčių padarytos skylės.
- Nenaudokite prie sienos tvirtinamo laikiklio tokiose vietose, kur jį veikėtų mechaninė vibracija.

### Prie sienos tvirtinamo laikiklio montavimas

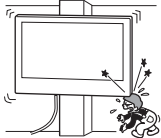
#### „Sony“ pardavimo atstovams

### ĮSPĖJIMAS

Toliau nurodyto instrukcijos skirtos tik „Sony“ tiekėjams. Perskaitykite pirmiau pateiktas atsargumo priemones ir montuodami, eksploatuodami bei tikrindami šį gaminį ypatingą dėmesį skirkite saugai.

## **Nemontuokite prie sienos tvirtinamo laikiklio ant sienos tokioje vietoje, kur TV kampai arba šonai išsikištų už sienos paviršiaus.**

Nemontuokite prie sienos tvirtinamo laikiklio ant kolonų ar panašių paviršių, kur TV kampai arba šonai išsikištų už sienos paviršiaus. Jei asmuo ar objektas užkliudytų išsikišusį TV kampą ar šoną, šis gali sužaloti arba sugadinti turėtą.

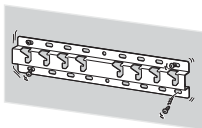


## **Nemontuokite TV virš oro kondicionieriaus arba po juo.**

Jei ant TV laša vanduo arba jį ilgą laiką veikia oro srautas iš oro kondicionieriaus, gali kilti gaisras, galima patirti elektros smūgį arba TV gali sugesti.

## **Pasirūpinkite, kad prie sienos tvirtinamas laikiklis būtų patikimai pritvirtintas prie sienos, laikantis šiame vadove pateiktų instrukcijų.**

Jei kuris nors sraigtas atsilaisvintų ar iškristų, prie sienos tvirtinamas laikiklis gali nukristi ir sužaloti arba sugadinti turėtą. Įsitikinkite, kad naudojate sienos medžiagai tinkamus sraigtus ir patikimai pritvirtinkite įrangą keturiais ar daugiau 8 mm skersmens (arba atitinkamais) sraigtais.



**Tiekiamus sraigtus ir priedų dalis naudokite tinkamai, laikydamiesi šiame vadove pateiktų instrukcijų. Jei naudojame pakaitalus, TV gali nukristi ir ką nors sužaloti arba sugesti.**

## **Pasirūpinkite, kad laikiklis būtų surinktas tinkamai, vadovaujantis šiame vadove pateiktomis procedūromis.**

Jei kuris nors sraigtas atsilaisvintų ar iškristų, TV gali nukristi ir sugesti arba ką nors sužaloti.

## **Pasirūpinkite, kad sraigtais būtų patikimai įsukti reikiamose vietose.**

Jei to nepadarysite, TV gali nukristi ir sugesti arba ką nors sužaloti.

## **Būkite atsargūs, kad montavimo metu TV nebūtų sutrenktas.**

Sutrenkus TV, jis gali nukristi arba perlūžti. Taip galima susižaloti.

## **Įsitikinkite, kad TV montuosite ant statmenos ir plokščios sienos.**

Jei to nepadarysite, TV gali nukristi ir sužaloti.

## **Teisingai sumontavę TV, tinkamai pritvirtinkite laidus.**

Jei žmonės ar objektai įsipainios tarp kabelių, gali būti sužaloti žmonės arba sugadintas TV.

## **Saugokite, kad KS maitinimo laidas arba jungiamasis kabelis nebūtų suspausti.**

Jei KS maitinimo laidas arba jungiamasis kabelis būtų prispaustas tarp įrenginio ir sienos arba per jėgą sulenktas ar suspaustas, gali išlįsti vidiniai laidininkai, todėl gali įvykti trumpasis jungimas arba nutrūkti elektros tiekimas. Dėl to gali kilti gaisras arba galima patirti elektros smūgį.



## **Sraigtais, kurių reikia prie sienos tvirtinamam laikikliui montuoti prie sienos, ne pridėti.**

Montuodami prie sienos tvirtinamą laikiklį, naudokite sienos medžiagai tinkančius sraigtus.



## TV montavimas prie sienos

Montavimo procedūra skiriasi priklausomai nuo TV.

Norėdami pritvirtinti televizorių prie sienos, naudokite prie sienos tvirtinamą laikiklį SU-WL450.

### Pastaba

- Išsuktus sraigtus būtinai laikykite saugioje, vaikams nepasiekiamoje vietoje.

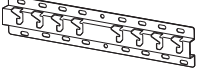









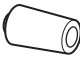

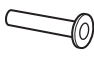

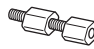



## Pasiruošimas montuoti

- Prieš tvirtindami pasiimkite televizoriaus Nuorodinį vadovą.
- Prieš montuodami įsitikinkite, kad turite sraigtams tinkamą kryžminį atsuktuvą.
- Patikrinkite TV montavimo vietą.
- Pasiruoškite keturis ar daugiau 8 mm skersmens sraigtus ir vieną 5 mm skersmens arba atitinkamą sraigą (nepridėti). Pasirinkite sienos medžiagai tinkamus sraigtus.

## Dalių patikrinimas

### Tiekiami kartu su SU-WL450

- Įsitikinkite, kad yra visos dalys.

Ⓐ Pagrindas (20) (1) 	Ⓑ Skriemulys (2) 
Ⓒ Sraigtai PSW 6x20 (4) 	Ⓓ Sraigtas PSW 4x20 su įvore (2) 
Ⓔ Tarpiklis (20) (2) 	Ⓕ Diržas (1) 
Ⓖ Įvorė (20) (M4) (2) 	Ⓗ Sraigtai PSW 4x20 (2) 
Ⓘ Pagrindo adapteris (2) 	Ⓙ Sraigtai PSW 4x10 (8) 
Ⓚ Tarpiklis (60) (2) 	Ⓛ Sraigtai PSW 6x50 (2) 
Ⓜ Įvorė (M4) (2) 	Ⓝ Sraigtai PSW 4x50 (2) 
Ⓞ Prie sienos tvirtinamas įtaisas (S) (2) 	Ⓟ Tarpiklis (2) 
Ⓠ Poveržlė (1) 	Ⓡ Sraigtas PSW 5x12 (1) 

### Tiekiami kartu su televizoriumi (pritvirtinta užpakalinėje dalyje)

Kabelio laikiklis (1)



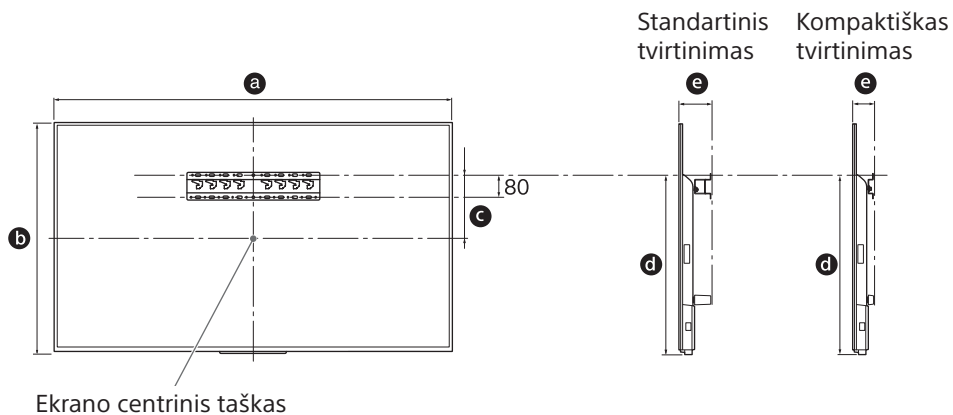
# Montavimo vietos pasirinkimas

## 1 Nuspręskite, kurioje vietoje montuosite.

Įsitikinkite, ar ant sienos pakanka vietos televizoriui ir ar ji galės atlaikyti svorį, bent keturis kartus didesnį už televizoriaus.

Žr. toliau pateiktą lentelę, kur rasite informacijos apie televizoriaus tvirtinimą prie sienos.

Norėdami sužinoti televizoriaus svorį, žr. jo Nuorodinį vadovą.



Vienetai: mm

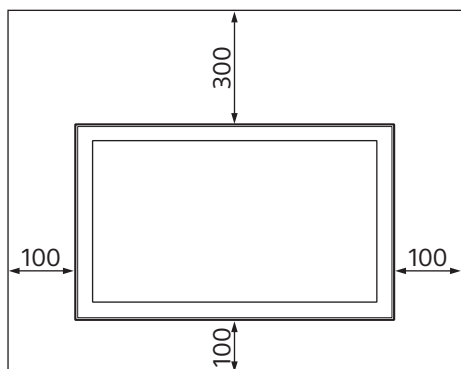
Modelio pavadinimas KD-	Rodyti matmenys		Ekranų išmatavimas iki centro	Tvirtinimo ilgis		
	a	b	c	d	e	e
					Standartinis tvirtinimas	Kompaktiškas tvirtinimas
55XD80□□	1231	717	129	494	102	60
49XD83□□ 49XD80□□	1093	639	181	508	102	60
43XD83□□	960	564	209	498	108	66
43XD80□□	960	564	209	498	107	65

### Pastaba

- Atsižvelgiant į montavimą, lentelėje nurodyti skaičiai gali šiek tiek skirtis.

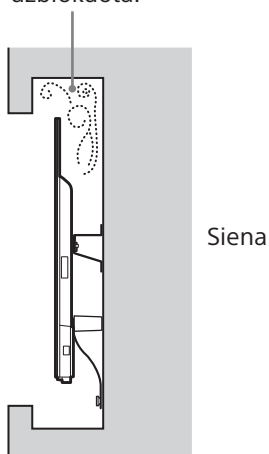
Palikite tinkamą tarpą tarp TV ir lubų bei išsikišusių sienos dalių, kaip parodyta apačioje.

Vienetai: mm



- Siekdami užtikrinti tinkamą ventilaciją ir neleisti kauptis nešvarumams arba dulkėms:
  - nedėkite televizoriaus ant plokštumos, netvirtinkite apversto, atbulai arba įkypai;
  - nedėkite televizoriaus ant lentynos, kilimėlio, lovos arba į spintą;
  - neuždenkite televizoriaus audiniu, pvz., užuolaidomis, daiktais, tokiais kaip laikraščiai ir t. t.;
  - nemontuokite televizoriaus kaip parodyta apačioje.

Oro cirkuliacija užblokuota.



#### Pastaba

- Jei norite kabelius nutiesti sienoje, padarykite sienoje angą ir prieš montuodami kabelius įkiškite į ją. Kad kabeliai nebūtų suspausti, angą padarykite už pagrindo (20) (A), pagrindo adapteris (1) ir tarpiklio (20) (E), tarpiklio (60) (K) perimetro ribų.

2 Pasirinkite tvirtinimo prie sienos būdą. Atstumą tarp TV galinės pusės ir sienos reikia pasirinkti, kaip nurodyta toliau.

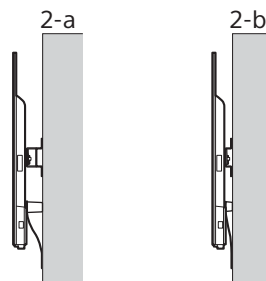
**2-a** Standartinis stovas

**2-b** Plonas stovas

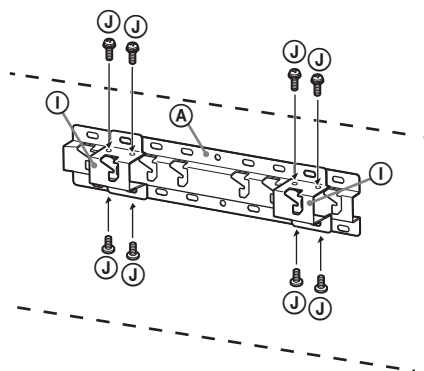
Žr. į 1 veiksmo lentelę.

#### ĮSPĖJIMAS

- Kai pasirenkamas 2-b variantas, prieiga prie gale esančių išvadų tampa ribota.

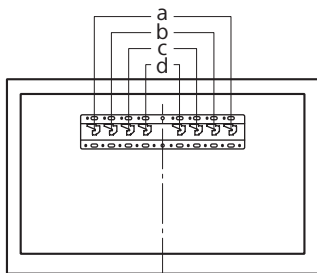


Pagrindo adapterį (1), naudodami sraigta (PSW 4x10) (J) pritvirtinkite prie pagrindo (20) (A), jeigu pasirinkote 2-a montavimo būdą.



**3** Norėdami sužinoti apie pagrindo adapterio tvirtinimo vietą, žr. lentelę toliau. Jeigu pasirinkote 2-b būdą, šį veiksmą praleiskite.

Modelio pavadinimas KD-	Kabliuko vieta
55XD80□□	c
49XD83□□	
49XD80□□	
43XD83□□	d
43XD80□□	



**4** Nustatykite sraigtų vietas, kur montuosite pagrindą (20) (A).

Žr. 12 psl. pateiktus techninius duomenis.

**Jei pasirinkote 2-a būdą, naudokitės skylių, esančių pagrindo adapteryje (I), vietomis.**

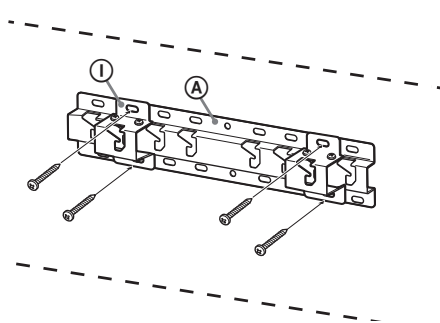
#### ĮSPĖJIMAS

- Siena, ant kurios bus kabinamas TV, turėtų būti pakankamai tvirta, kad išlaikytų bent **keturis kartus** didesnį svorį nei TV (norėdami sužinoti televizoriaus svorį, žr. jo Nuorodinį vadovą.).
- Nustatykite sienos, ant kurios bus kabinamas TV, tvirtumą. Jei reikia, pakankamai sutvirtinkite sieną.

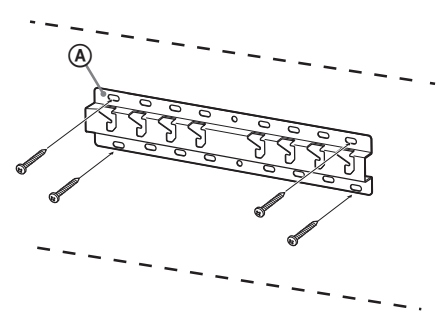
## Pagrindo montavimas prie sienos

- Naudokite keturis ar daugiau 8 mm skersmens arba atitinkamus sraigtus (nepridėti).
- **Keturis sraigtus prakiškite per pagrindo adapteryje (I) esančias angas ir sujunkite su pagrindu (20) (A) (tik 2-a).**
- Sumontuokite pagrindą (20) (A) horizontaliai ant sienos.

2-a

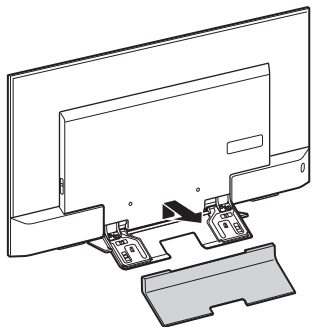


2-b



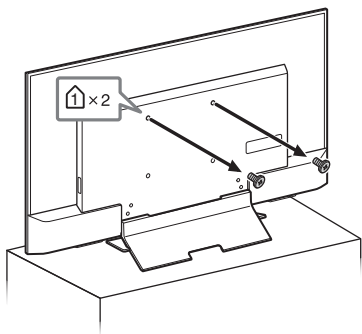
## Pasiruošimas tvirtinti TV

- 1 Nuimkite stovo dangtį.  
(Tik KD-55XD80□□)

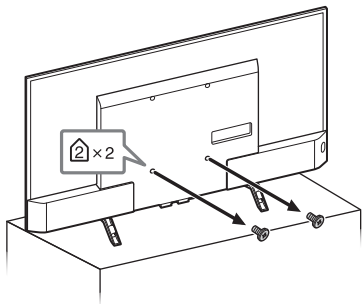


- 2 Išsukite televizoriaus užpakalinėje dalyje esančius varžtus.

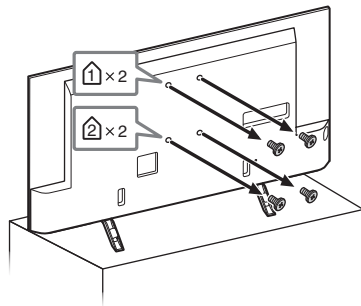
KD-55XD80□□



KD-49XD83□□/49XD80□□



KD-43XD83□□/43XD80□□

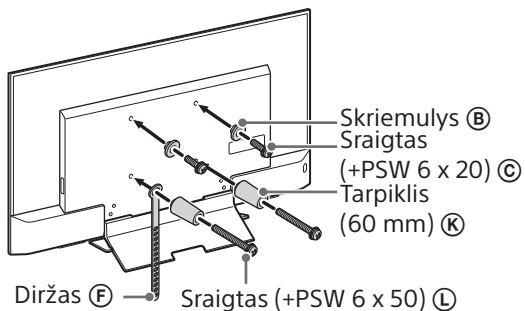


- 3 Pritvirtinkite prie sienos tvirtinamo laikiklio tvirtinimo dalis. Peržiūrėkite skyrių „Dalių patikrinimas“ – „Tiekama kartu su SU-WL450“ 5 psl. ir patikrinkite tvirtinimo dalis.

### Pastaba

- Sraigtais gerai pritvirtinkite papildomas dalis.
- Kai naudojate elektrinį atsuktuvą, sukimo momentą nustatykite iki 1,5 N·m {15 kgf·cm}.
- Nepanaudotas dalis laikykite saugioje vietoje ateičiai. Kad galėtumėte pasižiūrėti ateityje, išsaugokite šį vadovą.

### Standartinis tvirtinimas (2-a)

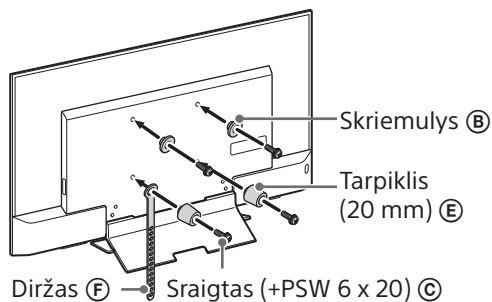
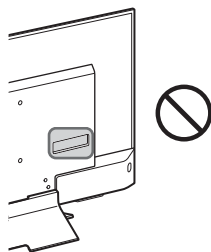


LT

## Kompaktiškas tvirtinimas (2-b)

### Pastaba

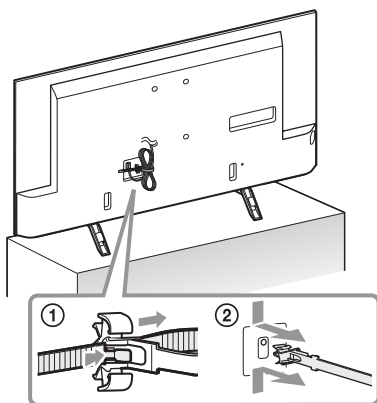
- Jei naudojate šį montavimo būdą, negalėsite naudoti tam tikrų televizoriaus gale esančių jungčių.



## 4 Prijunkite prie TV reikiamą (-us) kabelį (-ius).

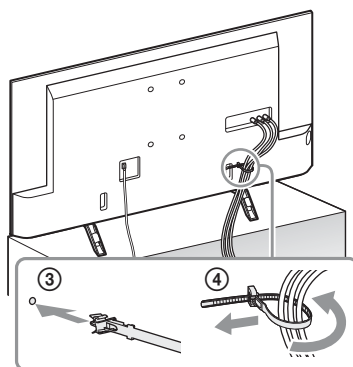
Kabelius prijunkite prieš tvirtindami TV prie sienos. Kai TV bus pritvirtintas, kabelių prijungti nebegalėsite. Žr. kartu su televizoriumi tiekiamą Nuorodinį vadovą.

## 5 Nuimkite kabelio laikiklį ( pridėta prie televizoriaus). (Tik KD-43XD83□□/43XD80□□)



## 6 Suriškite kabelius į ryšulį.

Jei naudojate KD-43XD83□□/43XD80□□, pritvirtinkite kabelio laikiklį prie vienos iš vidinių angų.

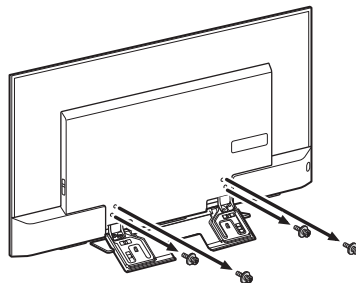


### Pastaba

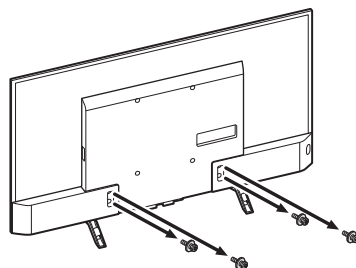
- Kabelius nuvesti sienoje patikėkite licencijuotam tiekėjui.
- Prieš montuodami, jungiamuosius kabelius suriškite, kad ant jų neužliptumėte.

## 7 Atjunkite ant stalo pastatomą stovą nuo televizoriaus.

Tik KD-55XD80□□



Išskyrus KD-55XD80□□

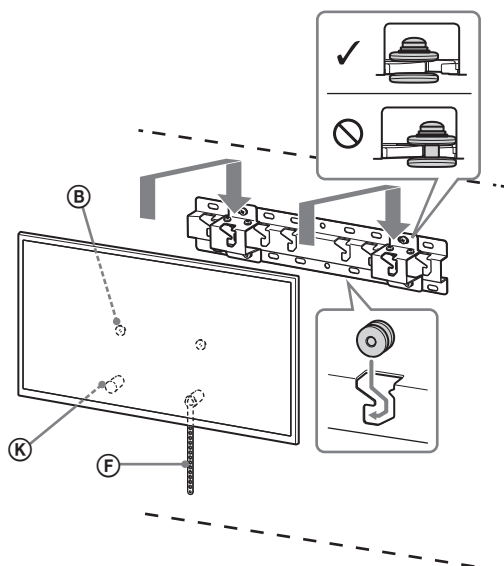


## TV tvirtinimas prie sienos

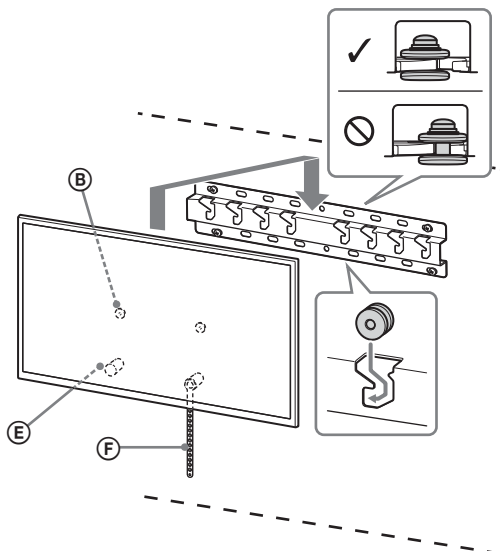
### 1 Sumontuokite TV ant pagrindo.

- Norėdami sužinoti ant pagrindo kabinamų skriemulių **(B)**, žr. į 3 veiksmo lentelę, kuri pateikiama 8 psl. skyrelyje „Montavimo vietos pasirinkimas“.
- Tvirtai laikykite TV abiem rankomis ir skriemulius **(B)**, prijungtus prie TV galinės pusės, atsargiai pakabinkite ant pagrindo, kad jie atitiktų angų formą.
- Sumontavę TV ant sienos, įsitikinkite, kad skriemuliai **(B)** tvirtai užfiksuoti pagrinde arba ant pagrindo adapterio.

2-a



2-b

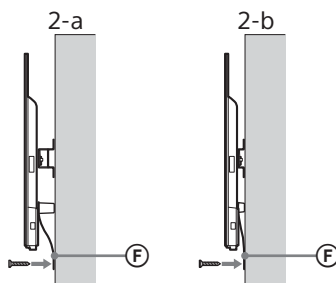


### ĮSPĖJIMAS

- Pasirūpinkite, kad nešant TV, jį laikytų bent du asmenys.

### 2 TV apačios apsauga nuo pakrypimo.

- Paimkite diržas **(F)** ir tvirtai pritvirtinkite prie sienos.



- Naudokite 5 mm skersmens arba atitinkamą sraigatą (nepridėtas).

### Pastaba

- Pabandykite nestipriai patraukti TV apačią tiesiai į save, kad įsitikintumėte, jog jis nejuda. Jei TV nors kiek juda, jis nėra teisingai pritvirtintas ir diržas **(F)** reikia gerai pritvirtinti iš naujo.

LT

## Montavimo darbų užbaigimo patvirtinimas

Patikrinkite toliau nurodytus dalykus.

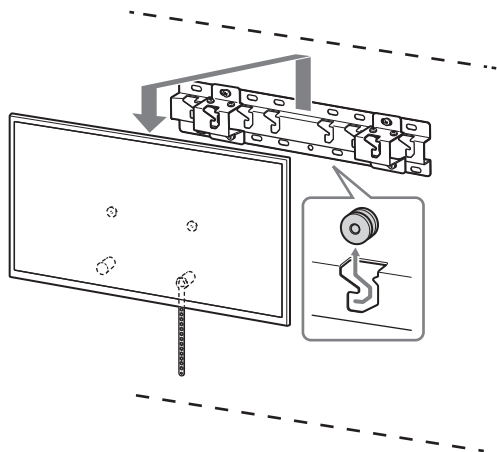
- Skriemuliai **ⓑ** tvirtai kabo ant pagrindo arba pagrindo adapterio.
- Ar laidai ir kabeliai nėra susisukę ar suspausti.
- Ar diržas **ⓕ** yra sandari, be plyšių.

### ĮSPĖJIMAS

- Neteisingai nutiesus KS maitinimo laidą ar kitus kabelius, galima patirti elektros smūgį, įvykus trumpajam jungimui. Dėl saugumo patvirtinkite, kad montavimo darbai baigti.

## Kita informacija

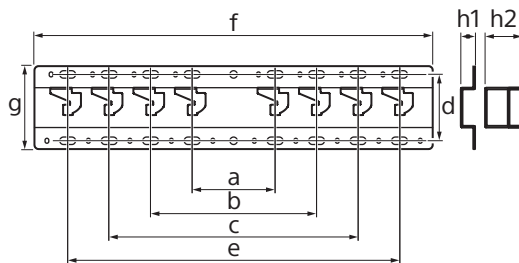
Nuimdami TV, anksčiau aprašytą procedūrą atlikite atvirkščia tvarka.



### ĮSPĖJIMAS

- Pasirūpinkite, kad nuimant TV, jį laikytų bent du asmenys.

## Techniniai duomenys



### Matmenys: (apytiksl.) [mm]

- a : 100
- b : 200
- c : 300
- d : 80
- e : 400
- f : 480
- g : 100

h1 : 20 (2-b atvejis)

h2 : 60 (2-a atvejis)

### Svoris (tik pagrindo) (apytiksl.) [kg]

0,8

Dizainas ir techniniai duomenys gali būti keičiami be įspėjimo.



# Navodila za uporabo nosilca za stensko montažo Sony (SU-WL450)

## Podprti modeli:

**KD-55XD80□□\*/49XD83□□\*/49XD80□□\*/43XD83□□\*/  
43XD80□□\***

\* V imenih dejanskih modelov »□□« označuje številke in/ali znake, ki veljajo za posamezen model.

Za kupce

Za namen zaščite izdelka in iz varnostnih razlogov družba Sony močno priporoča, da montažo televizorja prepustite prodajalcem Sony ali pooblaščenim izvajalcem. Montaže ne poskušajte izvesti sami.

Za prodajalce Sony in pooblaščene izvajalce

Pri montaži, rednem vzdrževanju in pregledih tega izdelka bodite izredno pozorni na varnost.

Za montažo tega izdelka potrebujete dovolj znanja, to še posebej velja za določanje nosilnosti stene glede na težo televizorja. Stensko montažo tega izdelka zaupajte prodajalcem Sony ali pooblaščenim izvajalcem, med samo montažo pa bodite posebej pozorni na varnost. Družba Sony ne odgovarja za nobeno škodo ali poškodbo, ki je posledica malomarnega ravnanja ali nepravilne montaže.

Za pravilno in varno montažo upoštevajte Navodila za uporabo nosilca za stensko montažo, Priročnik za začetnike televizorja in navodila v tem priročniku.

## O varnosti

Zahvaljujemo se vam za nakup tega izdelka.

### Za kupce

Za vgradnjo tega izdelka potrebujete dovolj znanja. Vgradnjo prepustite prodajalcem Sony ali pooblaščenim izvajalcem in bodite med vgradnjo še posebej pozorni na varnost. Podjetje Sony ne prevzema odgovornosti za kakršno koli škodo ali telesne poškodbe, ki nastale zaradi nepravilnega ravnanja ali vgradnje ali zaradi vgradnje česar koli razen predpisanega izdelka. To ne vpliva na vaše (morebitne) pravice, ki jih imate kot potrošnik.

### Za prodajalce Sony

Za vgradnjo tega izdelka potrebujete dovolj znanja. Obvezno temeljito preberite ta priročnik za vgradnjo, da boste lahko varno opravili vgradnjo. Podjetje Sony ne prevzema odgovornosti za kakršno koli škodo ali telesne poškodbe, ki nastale zaradi nepravilnega ravnanja ali vgradnje. Po vgradnji dajte ta priročnik kupcu.

Ta priročnik z navodili opisuje pravilno ravnanje z izdelkom in daje pomembna varnostna navodila za preprečevanje nesreč. Obvezno temeljito preberite ta priročnik in pravilno uporabljajte izdelek. Ta priročnik shranite za uporabo v prihodnje.

Izdelki Sony so razviti tako, da so varni. Vseeno pa lahko pri nepravilni uporabi izdelkov pride do hudih telesnih poškodb zaradi požara, električnega udara, prevračanja izdelka ali padca izdelka. Za preprečevanje takih nesreč obvezno upoštevajte varnostna navodila.

## POZOR

### Predpisani izdelki

Ta nosilec za stensko montažo je namenjen za uporabo s predpisanimi televizorji. Pri televizorjih glejte Referenčni vodič, da vidite, ali lahko uporabljate nosilec za stensko montažo.

## Za kupce

### OPOZORILO

Če ne upoštevate naslednjih varnostnih navodil, lahko pride do hudih telesnih poškodb ali smrti zaradi požara, električnega udara ali padca izdelka.

### Vgradnjo prepustite pooblaščenim izvajalcem in pri tem pazite, da v bližini ni majhnih otrok.

Če nosilec za stensko montažo ali televizor nista pravilno vgrajena, lahko pride do naslednjih nesreč. Poskrbite, da vgradnjo opravijo pooblaščeni izvajalci.

- Televizor lahko pade in povzroči hudo telesno poškodbo, na primer podplutbo ali zlom.
- Če je stena, na katero je vgrajen nosilec za stensko montažo, nestabilna, neravna ali nepravokotna na tla, lahko enota pade in povzroči telesne poškodbe ali materialno škodo. Stena mora prenesti najmanj štirikratno težo televizorja. (Za težo televizorja glejte njegov Referenčni vodič.)
- Če vgradnja nosilca za stensko montažo ni dovolj trdna, lahko enota pade in povzroči telesne poškodbe ali materialno škodo.

### Selitev ali snemanje televizorja prepustite pooblaščenim izvajalcem.

Če televizor prevažajo ali snemajo osebe, ki niso pooblaščeni izvajalci, lahko pade in povzroči telesne poškodbe ali materialno škodo. Poskrbite, da televizor prenašata ali snemata vedno najmanj dve osebi.

### Ne odstranite vijakov itd., ko vgradite televizor.

Sicer lahko televizor pade in povzroči telesne poškodbe ali materialno škodo.

### Ne predelujte delov nosilca za stensko montažo.

Sicer lahko nosilec za stensko montažo pade in povzroči telesne poškodbe ali materialno škodo.

### Ne vgradite opreme, ki se razlikuje od predpisanega izdelka.

Ta nosilec za stensko montažo je namenjen za uporabo samo s predpisanimi izdelki. Če namestite opremo, ki ni predpisana, lahko pade ali se polomi in povzroči telesne poškodbe ali materialno škodo.

### Na nosilec za stensko montažo ne nameščajte nobenega drugega bremena kot televizor. Televizorja ne tresite v smeri levo/desno ali navzgor/navzdol.

Sicer lahko televizor pade in povzroči telesne poškodbe ali materialno škodo.

### Na televizor se ne naslanjajte in se nanj ne obešajte.

Na televizor se ne naslanjajte in se nanj ne obešajte, saj lahko pade na vas in povzroči hude telesne poškodbe.

## POZOR

Če ne upoštevate naslednjih varnostnih navodil, lahko pride do telesnih poškodb ali materialne škode.

### Izdelka med čiščenjem in vzdrževanjem ne obravnavajte s preveliko silo.

Na zgornjo stran televizorja ne delujte s preveliko silo. Sicer lahko televizor pade in povzroči telesne poškodbe ali materialno škodo.

## Varnostna opozorila

- Če dolgo uporabljate televizor, nameščen na nosilcu za stensko montažo, se lahko stena za ali nad televizorjem razbarva ali pa se lahko odlepi tapeta, odvisno od materiala stene.
- Če odstranite na steno vgrajeni nosilec za stensko montažo, ostanejo luknje za vijake.
- Nosilca za stensko montažo ne uporabljate na mestu, kjer bi lahko bil izpostavljen mehanskim tresljajem.

## Vgradnja nosilca za stensko montažo

### Za prodajalce Sony

### OPOZORILO

Ta navodila so namenjena samo za prodajalce Sony. Obvezno preberite zgornja varnostna navodila in bodite med vgradnjo, vzdrževanje ter preverjanjem tega izdelka posebej pozorni na varnost.

## Nosilca za stensko montažo ne namestite na stenske površine, kjer bi vogali ali stranice televizorja štrleli stran od površine stene.

Nosilca za stensko montažo ne namestite na stenske površine, kot so stebri, kjer bi vogali ali stranice televizorja štrleli stran od površine stene. Če se oseba ali predmet zadane ob štrleči vogal ali stranico televizorja, lahko povzroči telesne poškodbe ali materialno škodo.

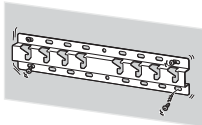


## Televizorja ne vgradite nad ali pod klimatsko napravo.

Če je televizor dolgo izpostavljen puščanju vode ali zračnim tokovom iz klimatske naprave, lahko zato pride do požara, električnega udara ali okvare na televizorju.

## Nosilec za stensko montažo obvezno trdno vgradite na steno po navodilih v teh navodilih za uporabo.

Če je kateri od vijakov razrahljan ali pade, lahko nosilec za stensko montažo pade in povzroči telesne poškodbe ali materialno škodo. Obvezno uporabite primerne vijake za material stene in trdno vgradite enoto z najmanj štirimi vijaki premera 8 mm (ali enakovrednimi).



**Obvezno pravilno uporabite priložene vijake in pritrditvene dele, skladno z navodili v tem priročniku z navodili. Če uporabite druge dele, lahko televizor pade in koga telesno poškoduje ali pa se lahko poškoduje televizor.**

## Obvezno pravilno sestavite nosilec po navodilih, ki so razložena v teh navodilih za uporabo.

Če je kateri od vijakov razrahljan ali pade, lahko televizor pade in povzroči telesne poškodbe ali škodo na televizorju.

## Vijake obvezno trdno zategnite na predvidenem mestu.

Če tega ne storite, lahko televizor pade in koga telesno poškoduje ali pa se lahko poškoduje televizor.

## Pazite, da med vgradnjo televizorja ne izpostavite udarcem.

Če je televizor izpostavljen udarcem, lahko pade ali se polomi. To lahko povzroči telesne poškodbe.

## Televizor obvezno vgradite na navpično in ravno steno.

Sicer lahko televizor pade in povzroči telesne poškodbe.

## Po pravilni vgradnji televizorja pravilno pritrdite kable.

Če se ljudje ali predmeti zapletejo v kable, lahko to koga telesno poškoduje ali pa se lahko poškoduje televizor.

## Ne dovolite, da bi prihajalo do stiskanja napajalnega ali povezovalnih kablov.

Če se napajalni ali povezovalni kabli stisnejo med enoto in steno ali se na silo zvijajo ali upogibajo, se lahko razkrijejo notranji vodniki, kar lahko povzroči kratek stik ali električno prekinitev. To lahko povzroči požar ali električni udar.



## Vijaki za pritrditev nosilca za stensko montažo na steno niso priloženi.

Pri vgradnji nosilca za stensko montažo uporabite vijake, ki so primerni za material in zgradbo stene.

## Vgradnja televizorja na steno

Postopek vgradnje se razlikuje glede na televizor.

Za pritrditev televizorja na steno uporabite Nosilec za stensko montažo SU-WL450.

### Opomba

- Odstranjene vijake shranite na varnem mestu, zunaj dosega otrok.


## Priprava za vgradnjo

- Pred vgradnjo imejte pri roki Referenčni vodič televizorja.
- Pred sestavljanjem poskrbite, da imate križni izvijač, ki se prilega vijakom.
- Potrdite mesto vgradnje televizorja.
- Pripravite najmanj štiri vijake premera 8 mm in en premera 5 mm ali enakovredne (niso priloženi). Izberite vijake, ki so primerni za material stene.

## Preverjanje delov

### Priloženo pri SU-WL450

- Preverite, ali so vsi deli priloženi.

Ⓐ Podstavek (20) (1) 	Ⓑ Škripec (2) 
Ⓒ Vijak 6x20 (4) 	Ⓓ Vijak 4x20 s pušo (2) 
Ⓔ Distančnik (20) (2) 	Ⓕ Jermen (1) 
Ⓖ Puša (20) (M4) (2) 	Ⓗ Vijak 4x20 (2) 
Ⓘ Prilagodilnik podstavka (2) 	Ⓙ Vijak 4x10 (8) 
Ⓚ Distančnik (60) (2) 	Ⓛ Vijak 6x50 (2) 
Ⓜ Puša (M4) (2) 	Ⓝ Vijak 4x50 (2) 
Ⓞ Prikluček za stensko montažo (S) (2) 	Ⓟ Distančnik (2) 
Ⓠ Podložka (1) 	Ⓡ Vijak 5x12 (1) 

### Priloženo televizorju (pritrjeno zadaj)

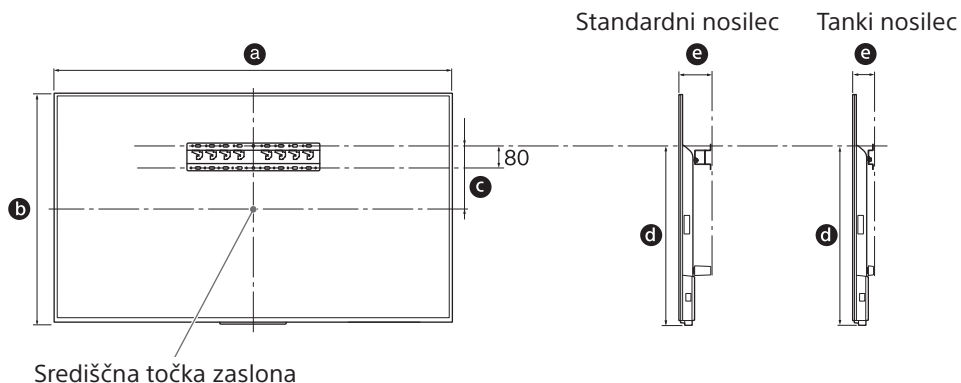
Držalo kablov (1) 
--

# Izbiranje mesta vgradnje

## 1 Odločite se za mesto vgradnje.

Na steni naj bo dovolj prostora za televizor, stena pa mora prenesti najmanj štirikratno težo televizorja.

Za stensko montažo televizorja upoštevajte naslednjo tabelo. Težo televizorja preverite v Referenčnem vodiču televizorja.



Enota: mm

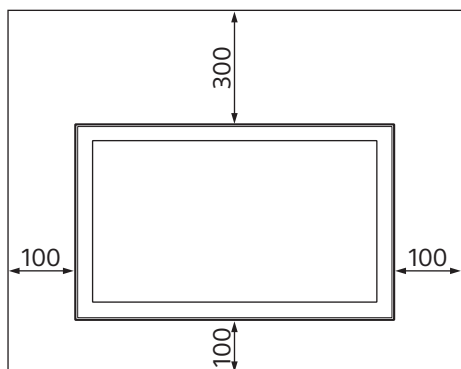
Naziv modela KD-	Mere zaslona		Središčna mera zaslona	Dolžina nosilca		
	a	b	c	d	e	
					Standardni nosilec	Tanki nosilec
55XD80□□	1.231	717	129	494	102	60
49XD83□□ 49XD80□□	1.093	639	181	508	102	60
43XD83□□	960	564	209	498	108	66
43XD80□□	960	564	209	498	107	65

### Opomba

- Vrednosti v tabeli se lahko rahlo razlikujejo glede na vrsto montaže.

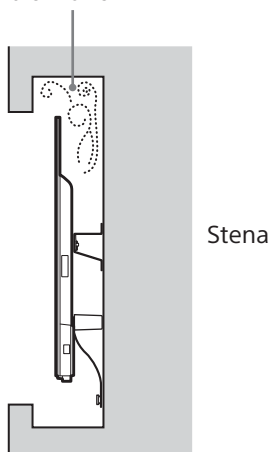
Pazite na primerno razdaljo med televizorjem in stropom ter štrlečimi deli stene, kot je prikazano spodaj.

Enota: mm



- Za zagotovitev ustreznega prezračevanja in preprečevanje nabiranja umazanije ali prahu:
  - Televizorja ne polagajte plosko, ne nameščajte ga obrnjenega na glavo ali z zaslonom ali s stranico proti steni.
  - Televizorja ne postavljajte na polico, preprogo, posteljo ali v omaro.
  - Televizorja ne pokrivajte s krpo ali predmeti, kot je časopis ipd.
  - Televizorja ne nameščajte, kot je prikazano spodaj.

Kroženje zraka je blokirano.



### Opomba

- Če nameravate napeljati kable po steni, pred začetkom vgradnje naredite luknjo v steni, da vstavite kable. Da preprečite stiskanje kablov, pripravite luknjo v steni zunaj območja podstavka (20) (A), prilagodilnik podstavka (1) in distančnika (20) (E), distančnika (60) (K).

2 Izberite način vgradnje na steno. Razdalja od zadnje strani televizorja do stene je nastavljiva, kot kaže spodnja slika.

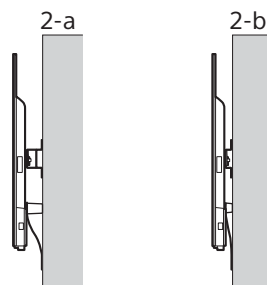
**2-a** Standardni nosilec

**2-b** Tanki nosilec

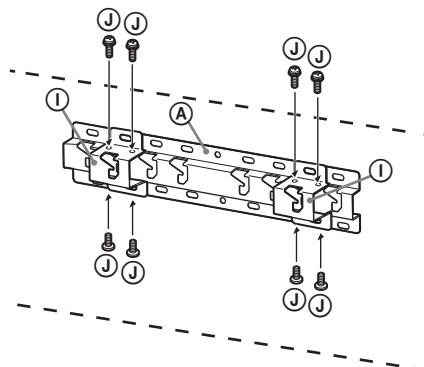
Glejte tabelo v 1. koraku.

### OPOZORILO

- Če izberete 2-b, je dostop do zadnjih priključkov omejen.

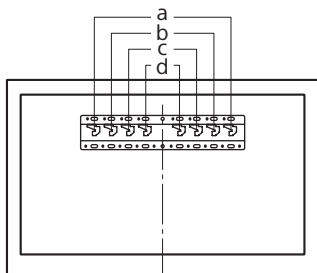


Namestite prilagodilnik podstavka (1) z vijakom (PSW 4x10) (J) na podstavek (20) (A), če izberete 2-a.



- 3** Za položaj pritrditve osnovnega podstavka glejte spodnjo tabelo. Če izberete 2-b, preskočite ta korak.

Naziv modela KD-	Lokacija kavlja
55XD80□□	c
49XD83□□	
49XD80□□	
43XD83□□	d
43XD80□□	



- 4** Določite položaje vijakov za vgradnjo podstavka (20) (A). Glejte tehnične podatke na strani 12. Če izberete 2-a, uporabite položaje lukenj prilagodilnika podstavka (I).

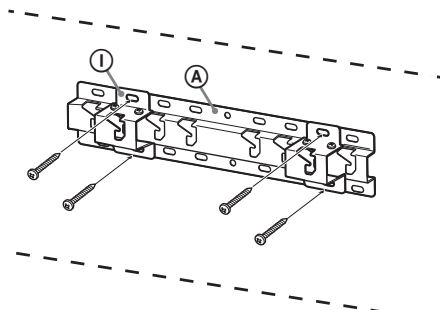
**OPOZORILO**

- Stena mora prenesti najmanj **štirikratno** težo televizorja (Za težo televizorja glejte njegov Referenčni vodič.).
- Določite nosilnost stene, na katero boste namestili televizor. Po potrebi ustrezno okrepite steno.

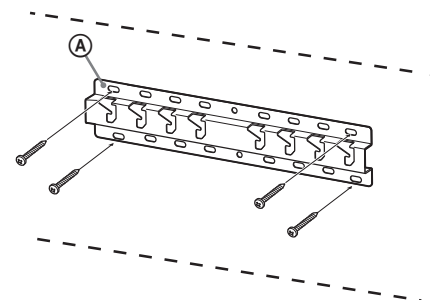
## Vgradnja podstavka na steno

- Pripravite najmanj štiri vijake premera 8 mm ali enakovredne (niso priloženi).
- **Namestite štiri vijake na luknje prilagodilnika podstavka (I) s podstavkom (20) (A) (samo 2-a).**
- Podstavek (20) (A) vgradite vodoravno na steno.

2-a

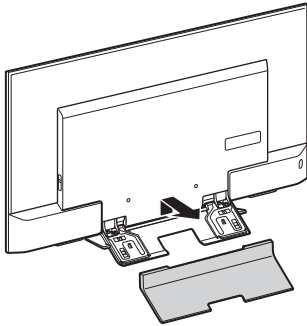


2-b



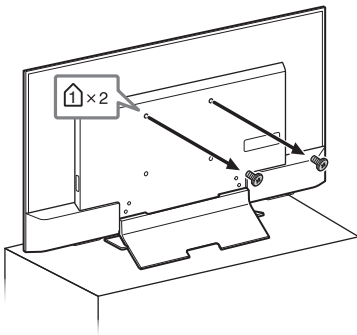
## Priprava na vgradnjo televizorja

- 1 Odstranite pokrov stojala.  
(Samo KD-55XD80□□)

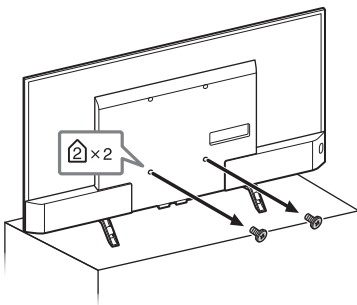


- 2 Odstranite vijake s hrbtne stranice televizorja.

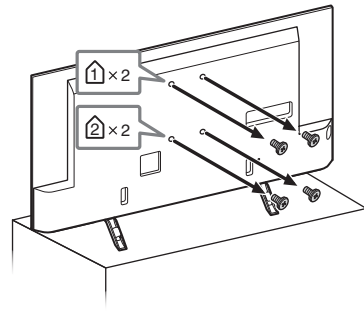
KD-55XD80□□



KD-49XD83□□/49XD80□□



KD-43XD83□□/43XD80□□

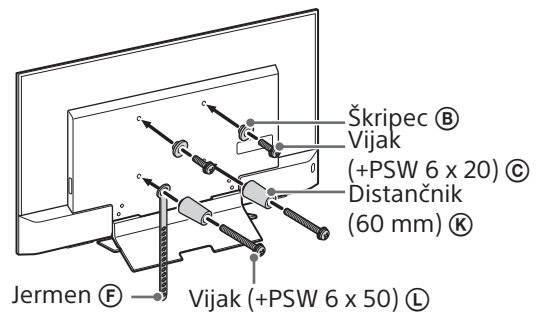


- 3 Namestite dele za pritrnitev Nosilca za stensko montažo. Preverite dele za pritrnitev, glejte »Priloženo pri SU-WL450« v »Preverjanje delov« na 5. strani.

### Opomba

- Dele za pritrnitev trdno pritrдите z vijaki.
- Pri uporabi električnega izvijača nastavite na približno 1,5 N·m (15 kgf·cm).
- Neuporabljene dele shranite na varno mesto za prihodnjo uporabo. Shranite ta priročnik za prihodnjo uporabo.

### Standardni nosilec (2-a)



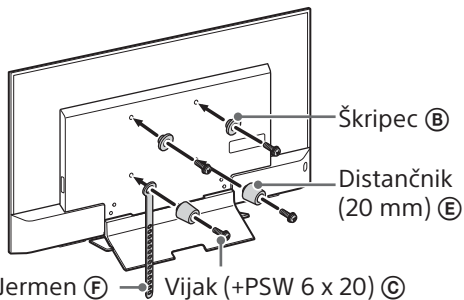
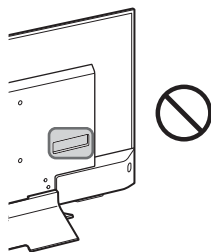
SI



## Tanki nosilec (2-b)

### Opomba

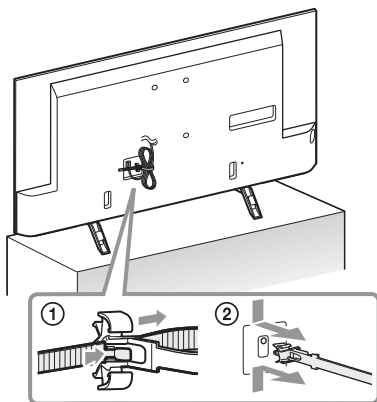
- Pri uporabi tega načina montaže uporaba določenih priključkov na hrbtni strani televizorja ni mogoča.



## 4 Na televizor priključite potrebne kable.

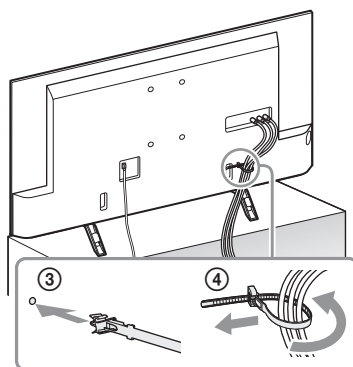
Pred vgradnjo televizorja na steno obvezno priključite kable. Ko je televizor vgrajen, kablov ne boste mogli priključiti. Glejte televizorju priložen Referenčni vodič.

## 5 Odstranite držalo za kable (priloženo televizorju). (Samo KD-43XD83□□/43XD80□□)



## 6 Združite kable.

Pri modelih KD-43XD83□□/43XD80□□ držalo za kable pritrdite na eno od notranjih lukenj.

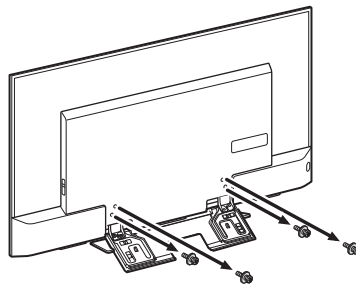


### Opomba

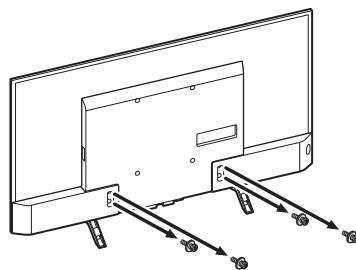
- Napeljevanje kablov v steni prepustite izvajalcu z ustreznimi dovoljenji.
- Povezovalne kable pred vgradnjo na steno združite v snope, da preprečite hojo po njih.

## 7 Namizno stojalo odstranite s televizorja.

Samo KD-55XD80□□



Razen KD-55XD80□□

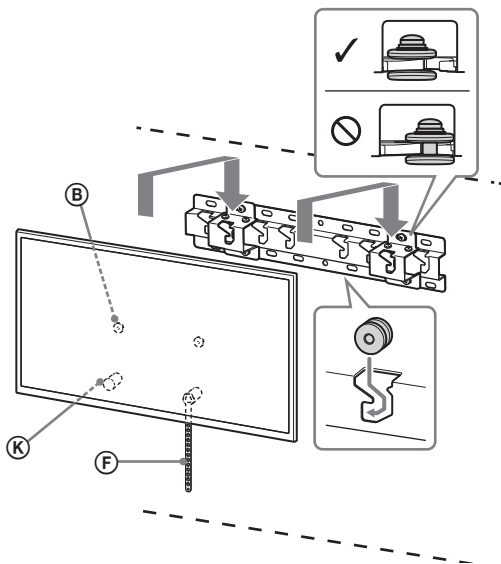


# Namestitev televizorja na steno

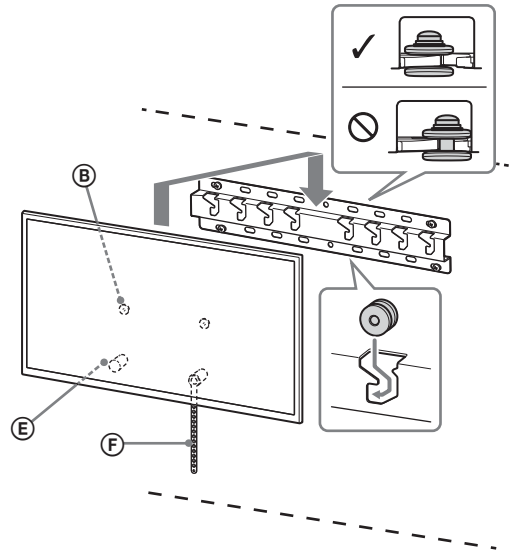
## 1 Televizor vgradite na podstavek.

- Za mesto škripcev **B** za obešanje na podstavek glejte tabelo z merami v 3. koraku v odseku »Izbiranje mesta vgradnje« na 8. strani.
- Televizor trdno držite z obema rokama in previdno obesite škripce **B**, ki so pritrjeni na zadnjo stran televizorja, na podstavek, pri tem pa obvezno preverite obliko lukenj.
- Po vgradnji televizorja na steno potrdite, da so škripci **B** trdno zatakneni v podstavek ali prilagodilnik podstavka.

2-a



2-b

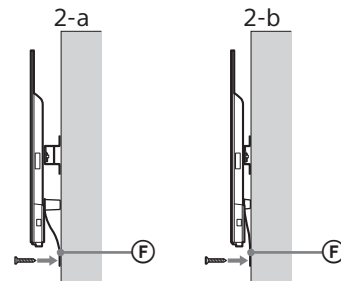


### OPOZORILO

- Poskrbite, da televizor prenašata vedno najmanj dve osebi.

## 2 Preprečevanje premikanja spodnjega dela televizorja.

- Potegnite ohlapni del jermena **F** in ga dobro pritrдите na steno.



- Uporabite vijak premera 5 mm ali enakovrednega (ni priložen).

### Opomba

- Spodnji del televizorja poskusite potegniti malo k sebi, da se prepričate, da se ne bo premaknil naprej. Če se premika, ni pravilno pritrjen in morate znova trdno pritrđiti jermen **E**.

SI

## Preverjanje vgradnje

Preverite naslednje točke.

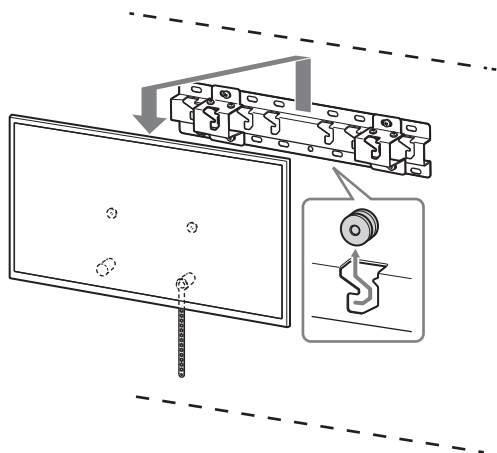
- Škripci **(B)** so trdno zatakneni v podstavek ali prilagodilnik podstavka.
- Kabli niso zviti ali stisnjeni.
- Jermen **(F)** je napet.

### OPOZORILO

- Napačna postavitev izmeničnega napajalnega kabla itd. lahko povzroči požar ali električni udar zaradi kratkega stika. Poskrbite, da zaradi varnosti preverite vgradnjo.

## Druge informacije

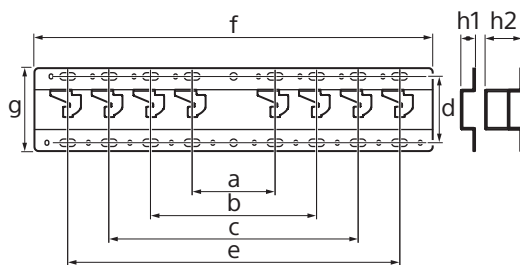
Pri odstranjevanju televizorja opravite prejšnji postopek vgradnje v obratnem vrstnem redu.



### OPOZORILO

- Poskrbite, da televizor odstranita vedno najmanj dve osebi.

## Tehnični podatki



### Mere: (približno) (mm)

- a : 100
- b : 200
- c : 300
- d : 80
- e : 400
- f : 480
- g : 100

h1 : 20 (pri 2-b)

h2 : 60 (pri 2-a)

### Teža (samo podstavek): (približno) (kg)

0,8

Zasnove in tehnični podatki se lahko kadar koli nenapovedano spremenijo.

# Informacije za instalaciju Sony nosača za postavljanje na zid (SU-WL450)

## Podržani modeli:

**KD-55XD80□□\*/49XD83□□\*/49XD80□□\*/43XD83□□\*/  
43XD80□□\***

\* U stvarnim nazivima modela »□□« označava brojke i/ili slova specifične za pojedini model.

### Za korisnike

Radi zaštite proizvoda i iz sigurnosnih razloga, Sony svesrdno preporučuje da postavljanje Vašeg TV-a obave Sony trgovci ili ovlašteni dobavljači. Nemojte ga pokušavati postaviti sami.

### Za Sony trgovce i dobavljače

Posvetite punu pozornost sigurnosti za vrijeme postavljanja, periodičkoga održavanja i ispitivanja ovoga proizvoda.

Za postavljanje ovoga proizvoda, naročito za određivanje čvrstoće zida za podnošenje težine TV-a, potrebna je odgovarajuća stručnost. Pobrinite se da se pričvršćivanje ovoga proizvoda na zid povjeri Sony trgovcima ili ovlaštenim dobavljačima, te da se za vrijeme postavljanja odgovarajuća pozornost posveti sigurnosti. Sony ne odgovara ni za kakvo oštećenje ili ozljedu uzrokovanu nepravilnim postupanjem ili postavljanjem.

Radi sigurnosti i pravilnoga postavljanja, slijedite Upute za upotrebnosaača za postavljanje na zid, Vodič za početak rada TV-a i naputke u ovome vodiču.

## O sigurnosti

Zahvaljujemo na kupnji ovog proizvoda.

### Kupcima

Za postavljanje proizvoda potrebna je određena stručnost. Postavljanje svakako prepustite Sonyjevim dobavljačima ili licenciranim izvođačima te prilikom postavljanja posebno pazite na sigurnost. Tvrtka Sony nije odgovorna za štete ili ozljede uzrokovane neispravnim rukovanjem ili nepravilnim postavljanjem ili instaliranjem proizvoda koji nisu ovdje navedeni. To ne utječe na vaša statutorna prava.

### Sonyjevim dobavljačima

Za postavljanje proizvoda potrebna je određena stručnost. Svakako pažljivo pročitajte korisnički priručnik da biste proizvod sigurno postavili. Tvrtka Sony nije odgovorna za štete ili ozljede uzrokovane neispravnim rukovanjem ili nepravilnim postavljanjem. Priručnik nakon postavljanja predajte kupcu.

Ovaj korisnički priručnik pokazuje kako pravilno rukovati proizvodom i sadrži važne mjere opreza neophodne za izbjegavanje nezgoda. Svakako pažljivo pročitajte priručnik i pravilno se koristite ovim proizvodom. Priručnik zadržite za buduću upotrebu.

Sony proizvodi dizajnirani su sa sigurnošću u vidu. Međutim, ako se proizvod ne upotrebljava ispravno, to može dovesti do ozbiljne ozljede vatrom, do strujnog udara, prevrtanja proizvoda ili njegova pada. Svakako se pridržavajte mjera opreza da biste spriječili takve nezgode.

## OPREZ

### Specificirani proizvodi

Ovaj nosač za postavljanje na zid dizajniran je za upotrebu sa specificiranim modelima TV-a. Provjerite u Referentnom vodiču televizora može li se koristiti ovaj nosač za postavljanje na zid.

## Kupcima

### UPOZORENJE

Ako se ne pridržavate sljedećih mjera opreza, može doći do ozbiljnih ozljeda ili smrtnog slučaja zbog izbijanja požara, strujnog udara ili pada proizvoda.

### Postavljanje svakako prepustite licenciranim izvođačima te ne dopuštajte pristup djeci tijekom postavljanja.

Ako nosač za postavljanje na zid ili TV nisu pravilno postavljeni, može doći do sljedećih nezgoda. Postavljanje neka obavljaju isključivo licencirani izvođači.

- TV može pasti i uzrokovati ozbiljne ozljede poput ogrebotina ili lomova.
- Ako zid na koji je nosač za postavljanje na zid nije stabilan, ravan ili okomit na pod, proizvod može pasti i uzrokovati ozljede ili materijalnu štetu. Zid mora izdržati težinu barem četiri puta veću od težine televizora. (Pogledajte Referentni vodič Vašeg televizora za podatak o njegovoj težini.)
- Ako instalacija nosača za postavljanje na zid nije dovoljno čvrsta, jedinica može pasti i uzrokovati ozljede ili materijalnu štetu.

### Premještanje ili skidanje televizora svakako prepustite licenciranim izvođačima.

Ako prijevoz i skidanje radi netko tko nije licencirani izvođač, TV može pasti i uzrokovati ozljede ili materijalnu štetu. Televizor neka svakako nose ili skidaju dvije ili više osoba.

### Ne uklanjajte vijke itd. nakon postavljanja TV-a.

Ako to učinite, TV može pasti i uzrokovati ozljede ili materijalnu štetu.

### Ne mijenjajte dijelove nosača za postavljanje na zid.

Ako to učinite, nosač za postavljanje na zid može pasti i uzrokovati ozljede ili materijalnu štetu.

### Na instalirajte drugu opremu osim specificiranog proizvoda.

Ovaj nosač za postavljanje na zid dizajniran je za upotrebu samo sa specificiranim modelima. Ako na njega stavite neku drugu opremu, može pasti ili se slomiti, te može uzrokovati ozljede ili materijalnu štetu.

### Na nosač za postavljanje na zid ne stavljajte drugi teret osim TV-a.

### Ne tresite TV prijemnik desno/lijevo, gore/dolje.

Ako to učinite, TV može pasti i uzrokovati ozljede ili materijalnu štetu.

### Ne oslanjajte se na TV i ne vješajte o njega.

Ne oslanjajte se na TV i ne vješajte o njega jer može pasti i uzrokovati ozbiljne ozljede.

## OPREZ

Ako se ne pridržavate navedenih mjera opreza, može doći do ozljeda ili materijalne štete.

### Ne rukujte proizvodom prekomjernom silom dok ga čistite ili održavate.

Ne primijenjujte prekomjernu silu s gornje strane televizora. Ako to učinite, TV može pasti i uzrokovati ozljede ili materijalnu štetu.

## Mjere opreza

- Ako duže vrijeme televizor držite na nosaču za postavljanje na zid, zid iza TV-a može izgubiti boju ili se tapeta može odlijepiti, ovisno o materijalu na zidu.
- Ako uklonite nosač za postavljanje na zid nakon postavljanja na zid, ostat će vidljive rupe od vijaka.
- Ne postavljajte nosač za postavljanje na zid na mjestu na kojima je izložen mehaničkim vibracijama.

### Postavljanje nosača za postavljanje na zid

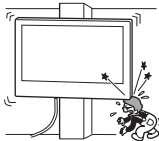
#### Sonyjevim dobavljačima

### UPOZORENJE

Sljedeće upute odnose se isključivo na Sonyjeve dobavljače. Svakako pročitajte gore navedene mjere opreza i posebnu pozornost posvetite sigurnosti tijekom postavljanja, održavanja i provjere proizvoda.

## Ne postavljajte nosač za postavljanje na zidove na kojima kutovi ili rubovi televizora mogu stršiti.

Ne postavljajte nosač za postavljanje na zid na zidove na kojima kutovi ili rubovi televizora mogu stršati. Ako neka osoba ili predmet udare o stršeci kut ili bočnu stranu televizora, može doći do ozljede ili nastati materijalna šteta.

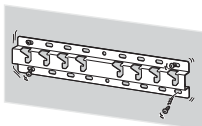


## Ne postavljajte televizor iznad ili ispod klimatizacijskog uređaja.

Ako je televizor izložen curenju vode ili struji zraka iz klimatizacijskog uređaja, može doći do izbijanja požara, strujnog udara ili kvara televizora.

## Svakako dobro učvrstite nosač za postavljanje na zid slijedeći upute iz ovog korisničkog priručnika.

Ako su neki vijci slabo zavijeni ili ispadnu, nosač za postavljanje na zid može se srušiti i uzrokovati ozljede ili materijalnu štetu. Upotrijebite odgovarajuće vijke za materijal od kojega je sagrađen zid i dobro učvrstite jedinicu upotrijebivši četiri ili više vijaka promjera 8 mm (ili odgovarajuće).



**Upotrijebite isporučene vijke i pričvrtni pribor slijedeći upute iz ovog korisničkog priručnika. Ako se koristite zamjenskim dijelovima, televizor može pasti i uzrokovati tjelesne ozljede ili oštećenje televizora.**

## Pravilno sastavite nosač slijedeći postupak opisan u ovom korisničkom priručniku.

Ako vijci nisu dobro pritegnuti ili ispadnu, televizor može pasti i uzrokovati tjelesne ozljede ili oštećenje televizora.

## Obavezno dobro pritegnite vijke na označenom mjestu.

Ako to ne učinite, televizor može pasti i uzrokovati tjelesne ozljede ili oštećenje televizora.

## Pazite da televizor ne bude izložen udarcima tijekom postavljanja.

Udarci mogu uzrokovati pad ili lomljenje televizora. To može uzrokovati ozljede.

## Televizor obavezno postavite na zid koji je okomit i ravan.

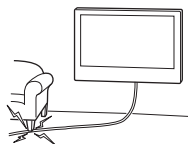
Ako to ne učinite, televizor može pasti i uzrokovati ozljede.

## Nakon što pravilno postavite televizor ispravno učvrstite kabele.

Ako se o kabele zapletu ljudi ili predmeti, može doći do ozljede ili može nastati materijalna šteta.

## Pazite da ne dođe do priklještenja naponskog kabela izmjenične struje ili priključnog kabela.

Ako se naponski kabel izmjenične struje ili priključni kabel uklješti između jedinice i zida, ili su silom zavrnuti ili savijeni, može doći do izlaganja unutarnjih vodiča, što može uzrokovati kratki spoj ili strujni udar. To može izazvati požar ili strujni udar.



## Vijci kojima se nosač za postavljanje na zid treba učvrstiti nisu isporučeni.

Kada instalirate nosač za postavljanje na zid, upotrijebite odgovarajuće vijke za materijal od kojega je zid izgrađen.

## Postavljanje televizora na zid

Način postavljanja razlikuje se ovisno o televizoru.

Upotrijebite Nosač za postavljanje na zid SU-WL450 za postavljanje TV-a na zid.

### Napomena

- Uklonjene vijke spremite na sigurno, držeći ih dalje od djece.

## Priprema za postavljanje

- Neka Vam Referentni vodič televizora bude pri ruci prije postavljanja.
- Obavezno pripremite križni odvijač koji odgovara vijcima.
- Provjerite mjesto postavljanja televizora.
- Pripremite četiri ili više vijaka promjera 8 mm i jedan vijak promjera 5 mm ili sličan (nije isporučen). Odaberite vijke koji odgovaraju materijalu od kojega je izgrađen zid.

## Provjera dijelova

### Isporučeno sa SU-WL450

- Provjerite imate li sve dijelove.

Ⓐ Baza (20) (1) 	Ⓑ Kolotur (2) 
Ⓒ PSW 6x20 (4) 	Ⓓ PSW 4x20 s čahurom (2) 
Ⓔ Odbojnik (20) (2) 	Ⓕ Remen (1) 
Ⓖ Čahura (20) (M4) (2) 	Ⓗ PSW 4x20 (2) 
Ⓘ Adapter za bazu (2) 	Ⓙ PSW 4x10 (8) 
Ⓚ Odbojnik (60) (2) 	Ⓛ PSW 6x50 (2) 
Ⓜ Čahura (M4) (2) 	Ⓝ PSW 4x50 (2) 
Ⓞ Pričvrtni element za postavljanje na zid (S) (2) 	Ⓟ Odbojnik (2) 
Ⓠ Podloška (1) 	Ⓡ PSW 5x12 (1) 

### Isporučeno s TV-om (pričvršćen otraga)

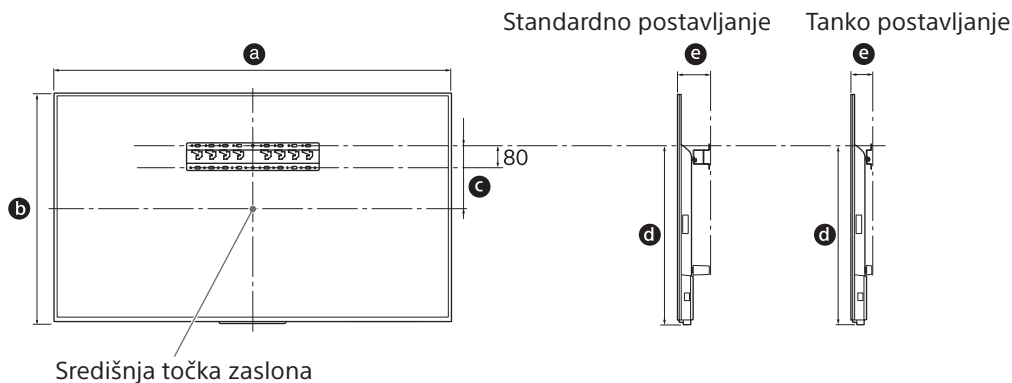
Držač kabela (1) 
----------------------

# Odlučivanje o mjestu postavljanja

## 1 Odlučite o mjestu postavljanja.

Provjerite ima li na zidu dovoljno mjesta za TV, te može li nositi najmanje četverostruku težinu TV-a.

Za postavljanje TV-a na zid pogledajte sljedeću tablicu. U Referentnom vodiču svog TV-a potražite težinu TV-a.



Jedinica: mm

Naziv modela KD-	Prikaz dimenzija		Dimenzija središta zaslona	Dužina za postavljanje		
	a	b	c	d	e	e
					Standardno postavljanje	Tanko postavljanje
55XD80□□	1.231	717	129	494	102	60
49XD83□□ 49XD80□□	1.093	639	181	508	102	60
43XD83□□	960	564	209	498	108	66
43XD80□□	960	564	209	498	107	65

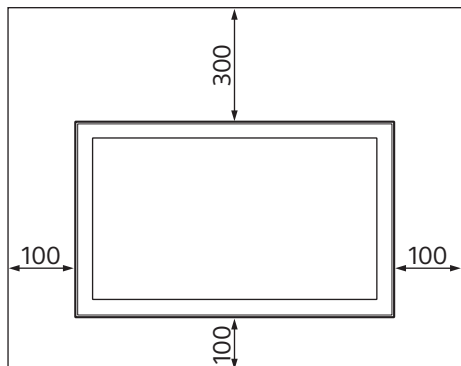
### Napomena

- Podaci u tablici mogu neznatno odstupati ovisno o instalaciji.



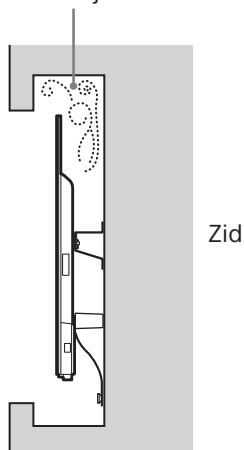
Pazite da ostavite dovoljno prostora između televizora i stropa i stršućih dijelova zida, kao što je prikazano u nastavku.

Jedinica: mm



- Kako biste osigurali odgovarajuće prozračivanje i spriječili skupljanje prljavštine ili prašine:
  - Nemojte TV ostavljati položen, ili ga postaviti obrnuto, na stražnju ili bočnu stranu.
  - Nemojte TV smjestiti u policu, na tepih, krevet ili u ormar.
  - Nemojte pokrivati TV tkaninom poput zavjese ili predmetima kao što su novine i sl.
  - Nemojte postaviti TV kao što je prikazano ispod.

Blokirana je cirkulacija zraka.



### Napomena

- Ako namjeravate provlačiti kabele kroz zid, napravite rupu u zidu i umetnite kabele prije nego što krenete s postavljanjem. Da biste spriječili prignječenje kabela, pripremite rupu u zidu dalje od baze (20) (A), adapter za bazu (1) i odbojnika (20) (E), odbojnika (60) (K).

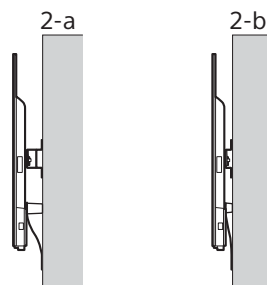
2 Odaberite način postavljanja na zid. Udaljenost stražnje strane TV prijemnika od zida moguće je odrediti kako je prikazano dolje.

**2-a** Standardna udaljenost  
**2-b** Mala udaljenost

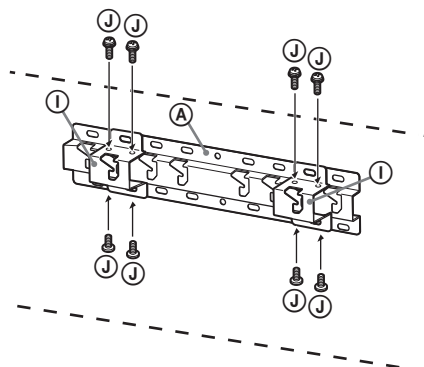
Pogledajte tablicu iz 1. koraka.

### UPOZORENJE

- Kada je odabrana opcija 2-b, pristup stražnjoj ploči ograničen je.

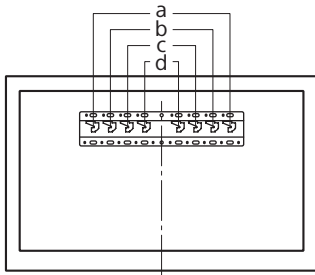


Postavite bazu adaptera (1) pomoću vijka (PSW 4x10) (J) za bazu (20) (A) kada odaberete opciju 2-a.



- 3** Pogledajte donju tablicu za položaj adaptera za postolje. U slučaju odabira opcije 2-b, preskočite ovaj korak.

Naziv modela KD-	Položaj kuke
55XD80□□ 49XD83□□ 49XD80□□	c
43XD83□□ 43XD80□□	d



- 4** Odlučite o položaju vijaka za postavljanje baze (20) (A).

Pogledajte specifikaciju na stranici 12.

**Kada odaberete opciju 2-a, poslužite se položajima rupa za adapter baze (I).**

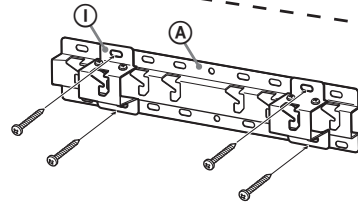
#### UPOZORENJE

- Zid na koji postavljate televizor mora izdržati težinu barem **četiri puta** veću od težine televizora (Pogledajte Referentni vodič Vašeg televizora za podatak o njegovoj težini.).
- Provjerite čvrstoću zida na koji ćete postaviti televizor. Ako je potrebno, ojačajte zid.

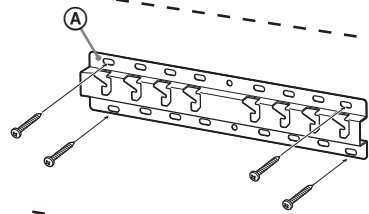
## Postavljanje baze na zid

- Pripremite četiri ili više vijaka promjera 8 mm ili slične vijke (nisu isporučeni).
- **Pričvrstite četiri vijka u rupe za bazu adaptera (I) U slučaju baze (20) (A) (samo 2-a).**
- Postavite bazu (20) (A) na zid vodoravno.

2-a

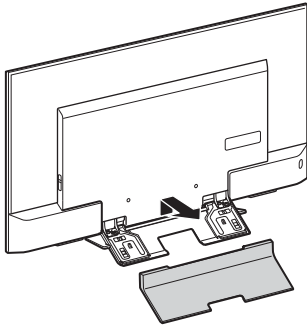


2-b



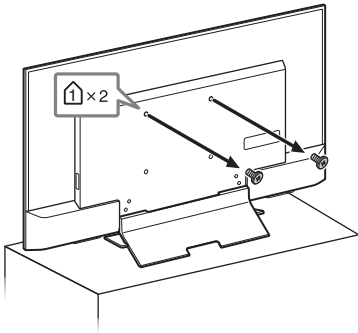
## Priprema za postavljanje televizora na zid

- 1 Skinite navlaku sa postolja.  
(samo KD-55XD80□□)

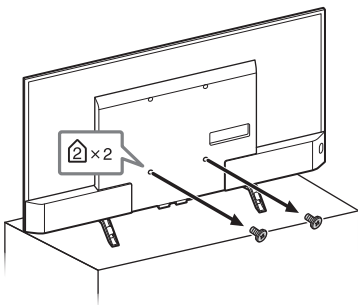


- 2 Skinite vijke sa stražnje strane TV-a.

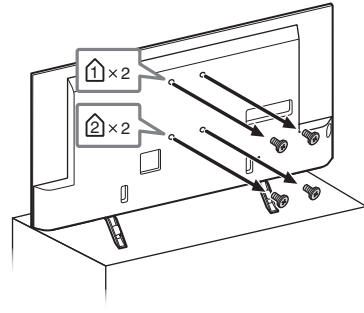
KD-55XD80□□



KD-49XD83□□/49XD80□□



KD-43XD83□□/43XD80□□

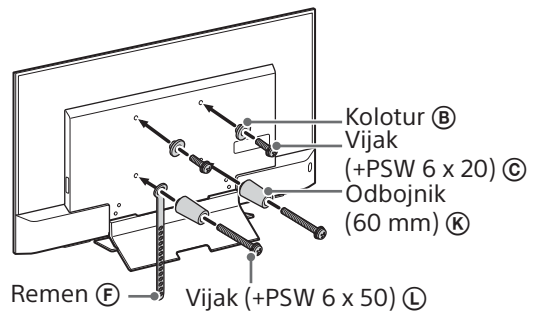


- 3 Pričvrstite dijelove za pričvršćivanje nosača za postavljanje na zid. Provjerite dijelove za pričvršćivanje pod »Isporučeno sa SU-WL450« u odjeljku »Provjera dijelova« na stranici 5.

### Napomena

- Dijelove za pričvršćivanje čvrsto pritegnite vijcima.
- Ako koristite električni odvijač, pritezni moment postavite na otprilike 1,5 N·m {15 kgf·cm}.
- Neupotrijebljene dijelove spremite na sigurno za korištenje kasnije. Sačuvajte ove upute za korištenje kasnije.

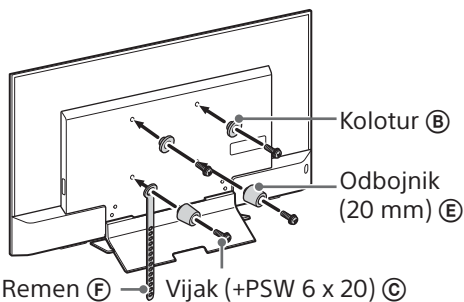
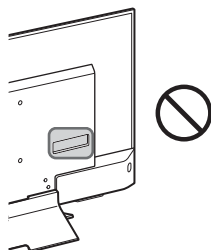
### Standardno postavljanje (2-a)



## Tanko postavljanje (2-b)

### Napomena

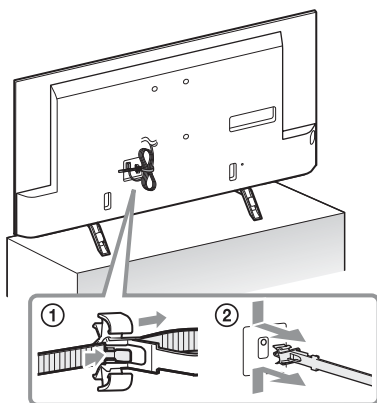
- Kada koristite ovaj način postavljanja, ne možete koristiti neke priključke na stražnjoj strani TV-a.



## 4 Priključite potrebne kabele u televizor.

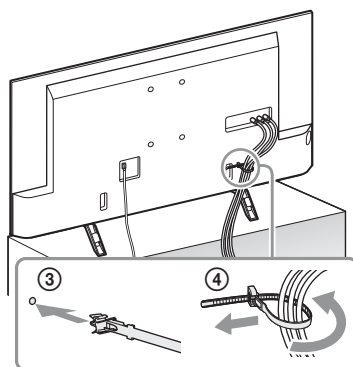
Svakako spojite kabele prije postavljanja televizora na zid. Kabele nećete moći priključiti kada je televizor bude postavljen. Pogledajte Referentni vodič isporučен s Vašim TV-om.

## 5 Odvojite držač kabela (isporučен s TV-om). (samo KD-43XD83□□/43XD80□□)



## 6 Privežite kabele.

Kod KD-43XD83□□/43XD80□□, pričvrstite držač kabela na jednu od unutarnjih rupa.

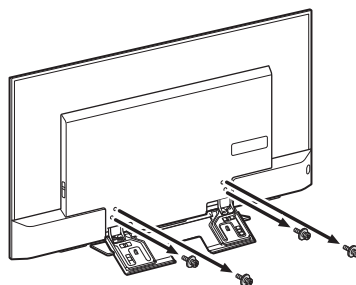


### Napomena

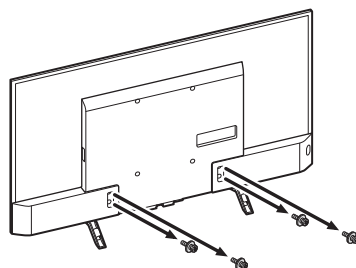
- Prepustite provlačenje kabela u zidu licenciranom izvodaču.
- Povežite spojne kabele da ne biste na njih nagazili prilikom postavljanja na zid.

## 7 Skinite Postolje za stol s TV-a.

Samo KD-55XD80□□



Osim KD-55XD80□□

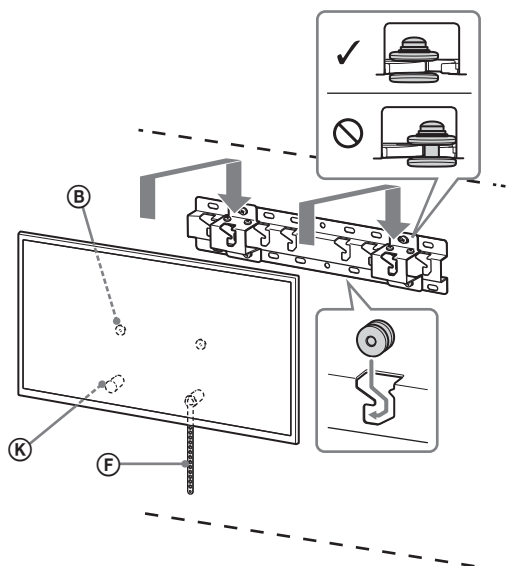


# Postavljanje televizora na zid

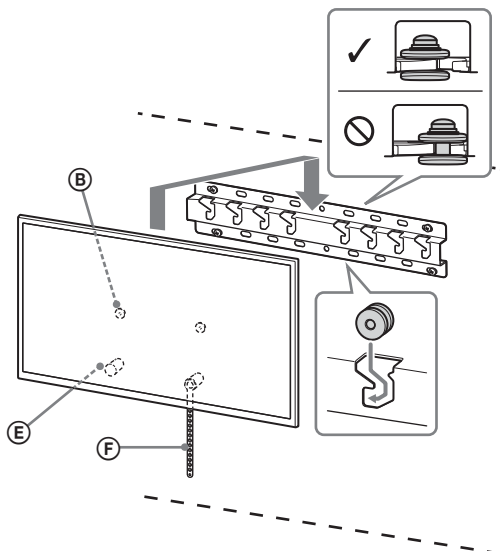
## 1 Postavite televizor na bazu.

- Kako biste pronašli mjesto kologura ② za vješanje na bazu, pogledajte tablicu u 3. koraku poglavlja »Odlučivanje o mjestu postavljanja« na stranici 8.
- Čvrsto primite televizor s obje ruke i nježno objesite koloture ② pričvršćene sa stražnje strane televizora na bazu pazeći da odgovaraju obliku rupa.
- Nakon postavljanja televizora na zid, provjerite da su koloturi ② dobro pričvršćeni za bazu ili Adapter za bazu.

2-a



2-b

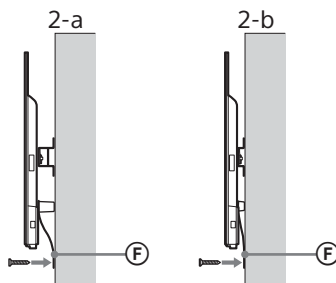


### UPOZORENJE

- Pri nošenju televizora svakako neka ga drže dvije ili više osoba.

## 2 Sprječavanje prevrtanja televizora.

- Uzmite komad remen ⑥ i lagano je pričvrstite za zid.



- Upotrijebite vijak promjera 5 mm ili odgovarajući (nije isporučen).



### Napomena

- Lagano povucite donji dio televizora prema sebi da biste se uvjerali da se neće pomaknuti prema naprijed. Ako se televizor imalo pomakne, nije pravilno učvršćen, i remen ⑥ treba ponovo dobro učvrstiti.

HR

## Potvrda dovršetka postavljanja

Provjerite sljedeće.

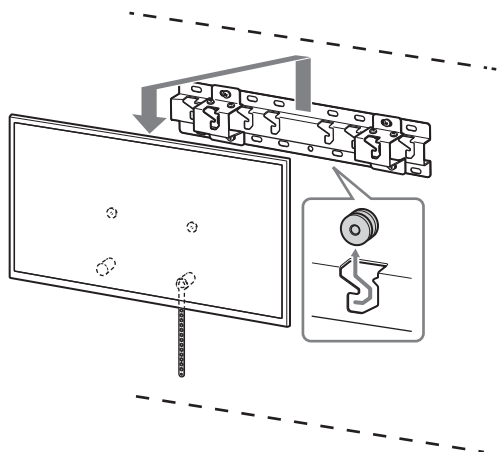
- Koloturi  su čvrsto obješeni o bazu ili Adapter za bazu.
- Uže i kabel nisu uvrnuti ili priključeni.
- Remen  je zategnuta bez opuštenih dijelova.

### UPOZORENJE

- Nepravilan smještaj kabela za napajanje izmjeničnom strujom može uzrokovati požar ili strujni udar zbog kratkog spoja. Radi sigurnosti svakako potvrdite da ste dovršili postavljanje.

## Druge informacije

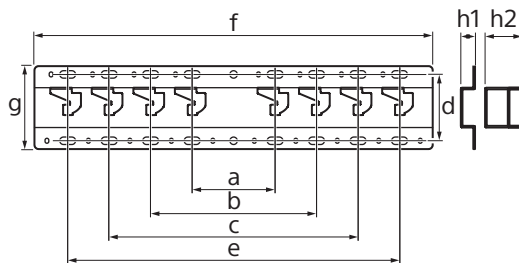
Kada uklanjate televizor, obrnite postupak postavljanja.



### UPOZORENJE

- Pri uklanjanju televizora svakako neka ga drže dvije ili više osoba.

## Specifikacije



### Dimenzije: (približno) [mm]

- a : 100
- b : 200
- c : 300
- d : 80
- e : 400
- f : 480
- g : 100

h1 : 20 (situacija 2-b)

h2 : 60 (situacija 2-a)

### Težina (samo baza): (približno) [kg]

0,8

Dizajn i specifikacije podložne su promjenama bez obavijesti.

# Sony қабырғаға орнататын кронштейнді (SU-WL450) пайдалану туралы орнату ақпараты

## Қолдау көрсетілетін моделдер:

**KD-55XD80□□\*/49XD83□□\*/49XD80□□\*/43XD83□□\*/  
43XD80□□\***

\* Нақты модель атауындағы «□□» белгісі әрбір арнайы модель үшін сандарды және/немесе таңбаларды көрсетеді.

### Тұтынушыларға

Өнім қорғанысы және қауіпсіздік себептері үшін Sony компаниясы ТД-ды орнату Sony дилерлері немесе лицензияланған мердігерлер тарапынан орындалуын қатаң ұсынады. Оны өзіңіз орнатуға әрекет етпеңіз.

### Sony дилерлері мен мердігерлеріне

Бұл өнімді орнату, мерзімді түрде техникалық қызмет көрсету және тексеру барысында қауіпсіздікке толық назар аударыңыз.

Бұл өнімді орнату үшін, әсіресе ТД ауырлығын көтеріп тұру үшін қабырғаның бекемдігін анықтау үшін тиісті сараптама жасау керек. Бұл өнімді қабырғаға бекітуді Sony дилерлеріне немесе лицензияланған мердігерлерге тапсырыңыз және орнату барысында қауіпсіздікке тиісті назар аударыңыз. Қате қолдану немесе қате орнату арқылы кез келген зақым немесе жарақат үшін Sony компаниясы жауапты емес.

Қауіпсіз және тиісті түрде орнату үшін қабырға орнататын кронштейннің пайдалану нұсқаулығын, теледидардың Іске кірісу нұсқаулығын және осы нұсқаулықтағы әдістерді орындаңыз.

## Қауіпсіздік туралы

Осы өнімді сатып алғаныңыз үшін рақмет.

### Тұтынушылар үшін

Осы құрылғыны орнатуға жеткілікті түрде тәжірибе қажет. Орнату жұмыстарын Sony дилерлері немесе лицензиясы бар мердігерлер жасауы керек және орнату барысында қауіпсіздікке аса назар аударыңыз. Sony дұрыс қолданбау, дұрыс орнатпау немесе көрсетілген құрылғыдан басқаны орнату салдарынан болған зақымдарға немесе жарақатқа жауапты емес. Заңды құқығыңыз (қандай да бір) жарамайды.

### Sony дилерлері үшін

Осы құрылғыны орнатуға жеткілікті түрде тәжірибе қажет. Орнату жұмыстарын қауіпсіз түрде орындау үшін осы нұсқаулықты толық оқып шығыңыз. Sony дұрыс қолданбау немесе дұрыс орнатпау салдарынан болған зақымдарға немесе жарақатқа жауапты емес. Орнатқаннан кейін тұтынушыға осы нұсқаулықты беріңіз.

Осы пайдалану нұсқаулығы өнімнің дұрыс қолданылуын және зақымды болдырмауға қажетті алдын алу шараларын көрсетеді. Осы нұсқаулықты толық оқып шығып, өнімді дұрыс қолданыңыз. Болашақта ақпарат алу үшін осы нұсқаулықты қолжетімді жерде сақтаңыз.

Sony өнімдері қауіпсіздікті ескере отырып жасалған. Өнімдер дұрыс қолданылмаса, өрт, ток соғу, өнімнің құлауы немесе оны лақтыру салдарынан ауыр жарақатқа әкелуі мүмкін. Осындай жағдайлардың алдын алу үшін алдын алу шараларын қараңыз.

Қазақстан Республикасы жерінде тұтынушылардан кінәрат-талаптар қабылдайтын ұйым Қазақстандағы «Сони Электроникс» ЖАК Өкілдігі 050059 Алматы қаласы, Иванилов көшесі, 58 үй

## АБАЙ БОЛЫҢЫЗ!

### Арнайы құрылғылар

Қабырғаға бекіту кронштейні теледидарға арналған құрылғылармен бірге қолдану үшін жасалған. Қабырғаға орнататын кронштейнді пайдалануға болатынын тексеру үшін теледидарға арналған Анықтамалық нұсқау бөлімін қараңыз.

## Тұтынушылар үшін

### ЕСКЕРТУ

Осы алдын алу шаралары сақталмаса, өрт, ток соғу немесе құрылғының құлауы салдарынан ауыр жарақатқа немесе өлімге әкелуі мүмкін.

### Орнату жұмыстарын лицензиясы бар мердігерлер жасауы керек және құрылғыны орнату кезінде кішкентай балаларды алыс ұстаңыз.

Қабырғаға бекіту кронштейні немесе теледидар дұрыс орнатылмаса, келесі жағдайлар болуы мүмкін. Лицензиясы бар мердігерлер орнату жұмыстарын жүргізе алатындығына көз жеткізіңіз.

- Теледидар құлап, дененің көгеруі немесе сынық секілді ауыр жарақаттарға әкелуі мүмкін.
- Қабырғаға бекіту кронштейні орнатылатын қабырға тұрақсыз, қисық болса немесе еденге перпендикуляр болмаса, құрал құлап, жарақатқа не мүлктің зақымдануына әкелуі мүмкін. Қабырға теледидардың салмағынан төрт есе ауыр салмақты көтере алуы қажет. (Салмағын тексеру үшін теледидардың Анықтамалық нұсқау бөлімін қараңыз.)
- Қабырғаға бекіту кронштейні қабырғаға берік бекітілмесе, құрал құлап, жарақатқа немесе мүлктің зақымдануына әкелуі мүмкін.

### Балалар үшін

- Балаларға теледидар үстіне шығуға рұқсат бермеңіз.
- Ұсақ жабдықтарын балалардан аулақ ұстаңыз, жұтып қоймасын.

### Теледидарды тасымалдау немесе бөлшектеу жұмыстарын лицензиясы бар мердігерлер жасауы керек.

Лицензия бар мердігерлерден басқа адамдар теледидарды тасымалдаса немесе бөлшектесе, ол құлап, жарақатқа немесе мүлктің зақымдануына әкелуі мүмкін. Теледидарды екі немесе одан да көп адам бекітуі немесе бөлшектеуі керек.

### Теледидарды бекіткеннен кейін бұрандаларды және т.б. босатпаңыз.

Егер солай істейтін болсаңыз, теледидар құлауы немесе мүлктің зақымдануы мүмкін.

## Қабырғаға бекіту кронштейнінің бөлшектерін ауыстырмаңыз.

Егер солай істейтін болсаңыз, қабырғаға бекіту кронштейні құлауы немесе мүлктің зақымдануы мүмкін.

### Арнайы құрылғыдан басқа құралды бекітпеңіз.

Осы қабырғаға бекіту кронштейні тек арнайы құрылғылармен бірге қолдану үшін жасалған. Арнайы құрылғыдан бөлек құралды бекітсеңіз, ол құлап не сынып, жарақатқа не мүлктің зақымдануына әкелуі мүмкін.

### Қабырғаға бекіту кронштейніне теледидардан басқа затты қолданбаңыз. Теледидарды солға/оңға, жоғары/төмен шайқамаңыз.

Егер солай істейтін болсаңыз, теледидар құлауы немесе мүлктің зақымдануы мүмкін.

### Теледидарға сүйенбеңіз немесе асылып тұрмаңыз.

Теледидарға сүйенсеңіз не асылып тұрсаңыз, ол сізге құлап, ауыр жарақат алуыңыз мүмкін.

## АБАЙ БОЛЫҢЫЗ!

Осы алдын алу шаралары сақталмаса, жарақат алуыңыз немесе мүлік зақымдануы мүмкін.

### Құрылғыны тазалау не оған күтім жасау кезінде қатты күш салмаңыз.

Теледидардың жоғарғы бөлігіне қатты күш салмаңыз. Егер солай істейтін болсаңыз, теледидар құлауы немесе мүлктің зақымдануы мүмкін.

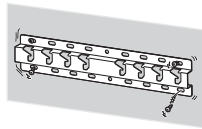
## Алдын алу шаралары

- Қабырғаға бекіту кронштейніне орнатылған теледидарды ұзақ уақыт бойы пайдалансаңыз, қабырғаның материалына байланысты теледидар артындағы не үстіндегі түс өзгеруі немесе тұсқағаздың түсі кетуі мүмкін.
- Қабырғаға бекіту кронштейнін орнатқаннан кейін қайта алсаңыз, қабырғада бұранда саңылаулары қалады.
- Қабырғаға бекіту кронштейнін механикалық тербеліс әсер ететін орында пайдаланбаңыз.



## Қабырғаға бекіту кронштейнін орнату

Sony дилерлері үшін

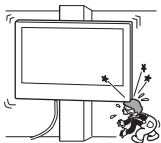


### ЕСКЕРТУ

Келесі нұсқаулар тек Sony дилерлеріне арналған. Жоғарыда берілген алдын алу шараларын оқып шығыңыз және осы құрылғыны орнату, оған күтім жасау, оны тексеру кезінде аса назар аударыңыз.

### Қабырғаға бекіту кронштейнін теледидардың бұрыштары не қапталы қабырға бетінен шығып тұратын орындарға орнатпаңыз.

Қабырғаға бекіту кронштейнін теледидардың бұрыштары не қапталы қабырға бетінен шығып тұратын баған секілді орындарға орнатпаңыз. Адам немесе басқа зат теледидардың шығып тұған бұрышына не қапталына соқса, ол жарақат алуы немесе мүлік зақымдануы мүмкін.



### Теледидардың салқындатқыштың үстіне не астына орнатпаңыз.

Теледидарға салқындатқыштан ұзақ уақыт бойы су тамшылары ақса не салқын ауа соқса, ол өртке, ток соғуға немесе теледидардың дұрыс жұмыс істеуіне әкелуі мүмкін.

### Қабырғаға бекіту кронштейнін осы пайдалану нұсқаулығына сүйене отырып мықтап бекітіңіз.

Бұрандалардың бірі жоғалып не түсіп қалған болса, қабырғаға бекіту кронштейнін құлап, жарақатқа немесе мүліктің зақымдануына әкелуі мүмкін. Қабырғаның материалына сай бұрандаларды пайдаланыңыз және диаметрі 8 мм (немесе ұқсас) болатын төрт не одан да көп бұрандаларды пайдалана отырып құралды мықтап бекітіңіз.

**Берілген бұрандалар мен бекіту бөлшектерін осы нұсқаулықтағы нұсқауларға сүйене отырып дұрыс пайдаланыңыз. Қосалқы элементтерді пайдалансаңыз, теледидар құлап, біреуге дене жарақатын салуы немесе теледидарды зақымдауы мүмкін.**

### Нұсқаулықта берілген процедураларға сүйене отырып кронштейнді дұрыстап құрастырыңыз.

Бұрандалардың бірі жоғалса немесе түсіп қалған болса, теледидар құлап, біреуге дене жарақатын салуы немесе теледидарды зақымдауы мүмкін.

### Бұрандалар көрсетілген орында мықтап бекітілуі керек.

Осылай орындалмаса, теледидар құлап, біреуге дене жарақатын салуы немесе теледидарды зақымдауы мүмкін.

### Орнату кезінде теледидарды соғып алмаңыз.

Теледидарды соғып алсаңыз, ол құлауы немесе сынуы мүмкін. Бұдан жарақат алуыңыз мүмкін.

### Теледидарды қабырға мен еденге перпендикуляр болатындай етіп орнату керек.

Егер солай болмаса, теледидар құлауы немесе жарақат алуыңыз мүмкін.

### Теледидар дұрыс орнатылғаннан кейін кабельдерді дұрыс бекітіңіз.

Адамдар немесе басқа заттар кабельге оралатын болса, жарақатқа не теледидардың зақымдануына әкелуі мүмкін.

### Айнымалы ток сымы немесе қосу кабелі қысылып қалмауы керек.

Айнымалы ток сымы немесе қосу кабелі құрал мен қабырға арасында қысылып қалса, майысқан немесе күштеп оралған болса, ішкі бағыттағыштар зақымданып, қысқа тұйықталуға немесе электр көзінің үзілуіне себеп болуы мүмкін. Бұл өрттің пайда болуына немесе ток соғуға әкелуі мүмкін.



### Кронштейнді қабырғаға бекітуге қажетті бұрандалар берілмеген.

Қабырғаға бекіту кронштейнін бекіту кезінде қабырғаның материалы мен құрылымына сай бұрандаларды пайдаланыңыз.

## Теледидарды қабырғаға орнату

Теледидардың түріне байланысты орнату процедурасы өзгеше болады.

ТД-ды қабырғаға орнату үшін SU-WL450 қабырғаға орнататын кронштейнін пайдаланыңыз.

### Нұсқау

- Алынған бұрандаларды балалардан алыс, қауіпсіз орынға қойыңыз.

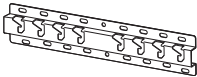









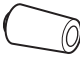



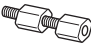



## Орнатуға дайындық

- Орнатудың алдында теледидардың Анықтамалық нұсқау бөлімін қараңыз.
- Құрастырмас бұрын бұрандаларға сай келетін Phillips бұрауышы болуы керек.
- Теледидар бекітілетін орынды анықтаңыз.
- Диаметрі 8 мм болатын төрт немесе одан да көп бұранда және 5 мм-лік немесе ұқсас (берілмеген) бұранда дайындаңыз. Қабырғаның материалына сай келетін бұрандаларды таңдаңыз.

## Бөлшектерді тексеру

### SU-WL450 құрылғысымен беріледі

- Барлық бөлшектердің бар екендігін тексеріңіз.

<b>А</b> Тұғыр (20) (1) 	<b>В</b> Шкив (2) 
<b>С</b> PSW 6x20 (4) 	<b>Д</b> Штативті саңылауы бар PSW 4x20 (2) 
<b>Е</b> Аралық (20) (2) 	<b>Ф</b> Белдік (1) 
<b>Г</b> Тығын (20) (M4) (2) 	<b>Н</b> PSW 4x20 (2) 
<b>І</b> Негізгі адаптер (2) 	<b>Ж</b> PSW 4x10 (8) 
<b>К</b> Аралық (60) (2) 	<b>Л</b> PSW 6x50 (2) 
<b>М</b> Тығын (M4) (2) 	<b>Н</b> PSW 4x50 (2) 
<b>О</b> Қабырғаға орнататын тіркеме (S) (2) 	<b>Р</b> Аралық (2) 
<b>Q</b> Шайба (1) 	<b>Р</b> PSW 5x12 (1) 

### Теледидармен беріледі (артқы жағына бекітілген)

Кабель ұстағыш (1)

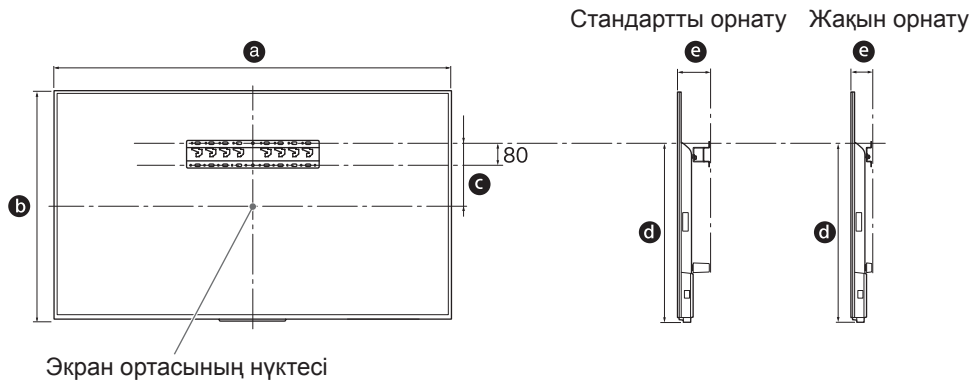


# Орнатылатын орынды анықтау

## 1 Орнатылатын орынды анықтаңыз.

Қабырғада ТД үшін жеткілікті орын бар екенін және ТД-дың кемінде төрт есе ауырлығын көтере алатындаған тексеріңіз.

Теледидарды қабырғаға орнату туралы келесі кестені қараңыз. Теледидардың салмағын тексеру үшін теледидардың Анықтамалық нұсқау бөлімін қараңыз.



Құрал: мм

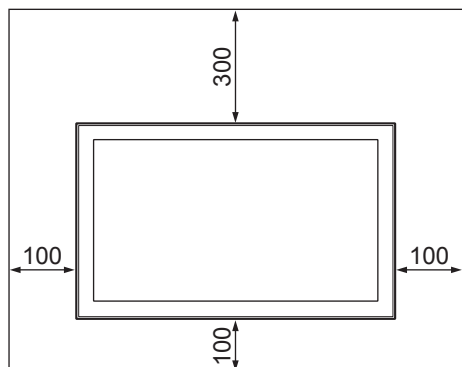
Үлгі нөмірі KD-	Экран өлшемдері		Экран ортасының өлшемі	Орнату ұзындығы		
	a	b	c	d	Стандартты орнату	Жақын орнату
55XD80□□	1231	717	129	494	102	60
49XD83□□ 49XD80□□	1093	639	181	508	102	60
43XD83□□	960	564	209	498	108	66
43XD80□□	960	564	209	498	107	65

### Нұсқау

- Кестедегі деректер орнатуға байланысты аздап өзгешеленуі мүмкін.

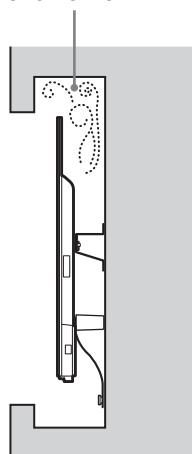
Теледидар мен төбе және қабырғаның шығыңқы бөліктері арасында төменде көрсетілгендей ашық орын қалдыңыз.

Құрал: мм



- Тиісті желдету және кір мен шаңның жиналуын болдырмау үшін:
  - ТД-ды жалпағына қоймаңыз, жоғарғы жағын төмен қарай, артқа қаратып немесе қырымен орнатпаңыз.
  - ТД-ды сөреге, кілемге, төсекке немесе шкафқа қоймаңыз.
  - ТД-ды перделер сияқты шүберекпен немесе газеттер т.б. сияқты элементтермен жаппаңыз.
  - ТД-ды төменде көрсетілгендей орнатпаңыз.

Ауа айналымы  
блокталған.



Қабырға

### Ескерту

- Кабельдерді қабырға ішіне салып болсаңыз, орнатпас бұрын кабель салынатын қабырғаны тесіп алуыңыз керек. Кабельдер қысылып қалмас үшін тұғыр (20) **A**, негізгі адаптер **I** мен аралық (20) **E**, аралық (60) **K** периметрінен тыс қабырғадан саңылау дайындаңыз.

**2** Қабырғаға орнату стилін таңдаңыз. Теледидардың артқы жағы мен қабырға арақашықтығын төменде көрсетілгендей таңдауға болады реттеледі.

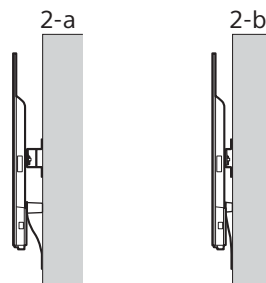
**2-a** Стандартты бекіту

**2-b** Жіңішке бекіту

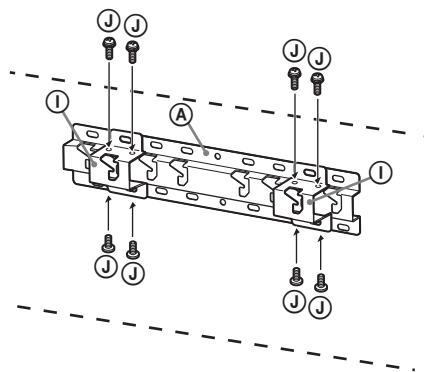
1-қадам кестесіне қараңыз.

### ЕСКЕРТУ

- 2-b таңдалған кезде, Артқы терминалға қатынас шектеулі болады.

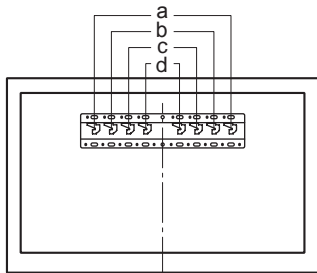


Адаптор **I** негізін (PSW 4x10) **J** Бұрандаларымен 2-a таңдалған кезде (20) **A** негізіне бекіту.



**3** Негізгі адаптерді бекіту орны туралы төмендегі кестеден қараңыз. 2-б таңдалған жағдайда, осы қадамды өткізіп жіберіңіз.

Үлгі нөмірі KD-	Ілмек орны
55XD80□□	c
49XD83□□	
49XD80□□	
43XD83□□	d
43XD80□□	



**4** Тұғырды (20) (A) орнату үшін бұрандалардың орнын анықтаңыз.

12-беттегі сипаттамаларды қараңыз.

**2-а таңдалған кезде, (1) Адаптор негізінің тесік орнын пайдаланыңыз.**

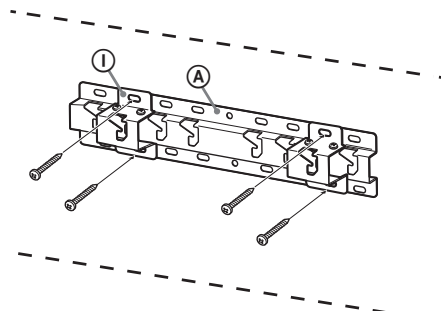
**ЕСКЕРТУ**

- Теледидар орнатылатын қабырға теледидар салмағынан **төрт есе** ауыр салсақты көтере алуы тиіс (Салмағын тексеру үшін теледидардың Анықтамалық нұсқау бөлімін қараңыз.).
- Теледидар бекітілетін қабырғаның беріктігін анықтаңыз. Қажет болса, қабырғаны жеткілікті түрде күшейтіңіз.

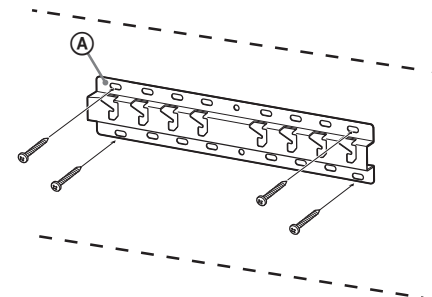
**Қабырғаға тұғырды орнату**

- Диаметрі 8 мм болатын не ұқсас төрт немесе одан да көп бұранданы пайдаланыңыз (берілмеген).
- (1) **Адапторының негізіне төрт бұрандаларды (20) (A) Негізімен бекітіңіз (Тек 2-а).**
- Тұғырды (20) (A) қабырғаға көлденең етіп орнатыңыз.

**2-а**

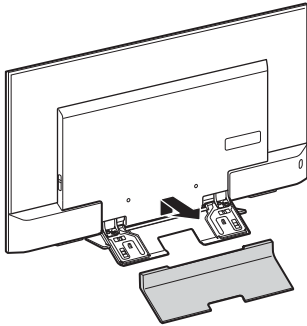


**2-б**



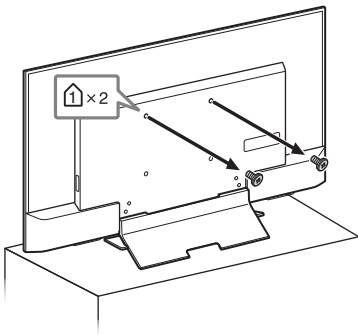
## Теледидарды орнатуға дайындау

- 1 Тіректің қақпағын алыңыз.  
(Тек KD-55XD80□□)

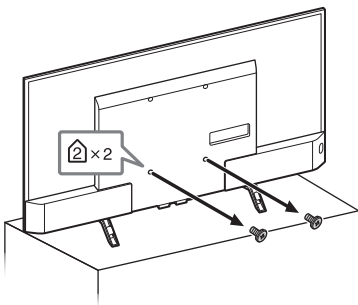


- 2 Теледидардың артындағы бұрандаларды алып тастаңыз.

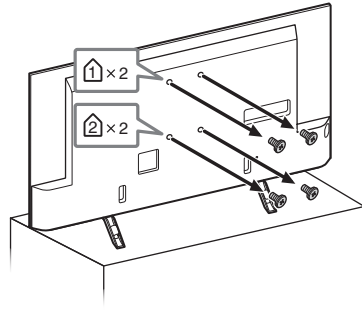
KD-55XD80□□



KD-49XD83□□/49XD80□□



KD-43XD83□□/43XD80□□

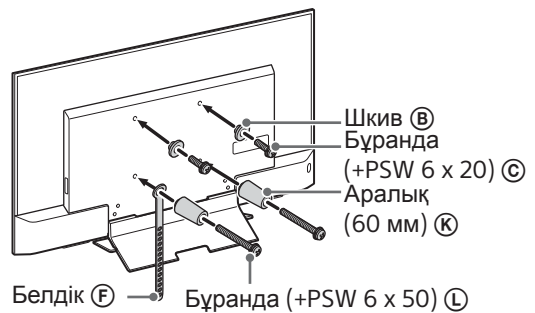


- 3 Қабырғаға орнататын кронштейн үшін тіркеу бөлшектерін тіркеңіз. 5-беттегі «Бөлшектерді тексеру» бөліміндегі «SU-WL450 құрылғысымен беріледі» тармағын қарау арқылы монтаждау бөлшектерін тексеріңіз.

### Нұсқау

- Бекіту бөлшектерін бұрандалар арқылы мықтап бекітіңіз.
- Электр бұрауышты пайдаланғанда, айналу шамасын шамамен 1,5 Н·м {15 кг·см} орнатыңыз.
- Пайдаланылмаған бөлшектерді болашақта пайдалану үшін қауіпсіз орынға сақтаңыз. Бұл нұсқаулықты болашақта қарау үшін сақтаңыз.

### Стандартты орнату (2-а)

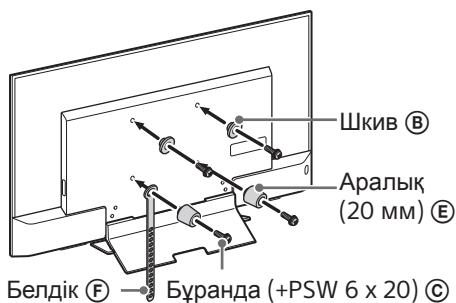
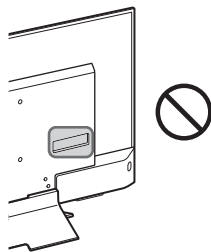


KZ

## Жақын орнату (2-b)

### Нұсқау

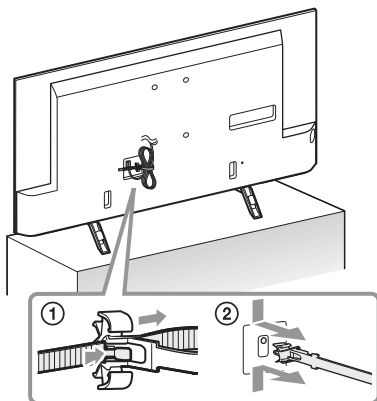
- Осы орнату стилін пайдалану кезінде ТД-дың артқы жағындағы кейбір терминалдарды пайдалану мүмкін емес.



## 4 Қажетті кабельді (кабельдерді) теледидарға жалғау.

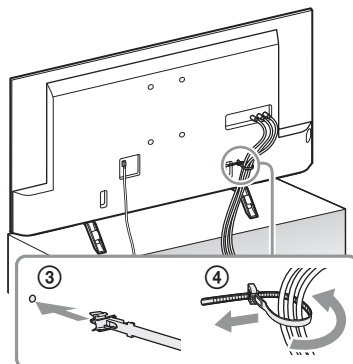
Теледидарды қабырғаға орнатпас бұрын кабельдердің жалғанғанын тексеріңіз. Теледидарды орнатқаннан кейін кабельдерді жалғау мүмкін болмайды. Теледидармен берілетін Анықтамалық нұсқау бөлімін қараңыз.

## 5 Кабель ұстағышын (теледидармен бірге берілген) босатыңыз. (Тек KD-43XD83□□/43XD80□□)



## 6 Кабельдерді буыңыз.

KD-43XD83□□/43XD80□□ үшін кабель ұстағышын ішкі ұялардың біріне бекітіңіз.

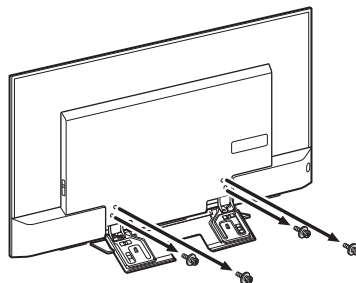


### Ескерту

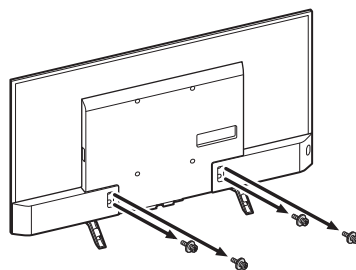
- Кабельді қабырға ішімен жүргізу жұмыстарын лицензиясы бар мердігер жасауы керек.
- Кабельдерді қабырғаға бекітпес бұрын оларды басып кетпес үшін жалғанатын кабельдерді жинаңыз.

## 7 ТД-дан Үстел тұғырын ажыратыңыз.

Тек KD-55XD80□□



KD-55XD80□□ басқа

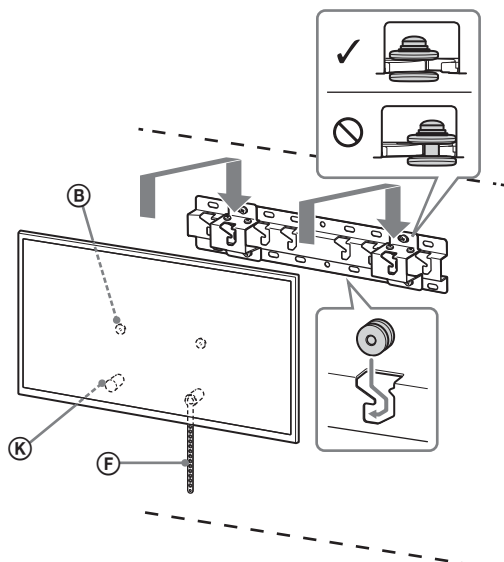


# Қабырғаға теледидарды орнату

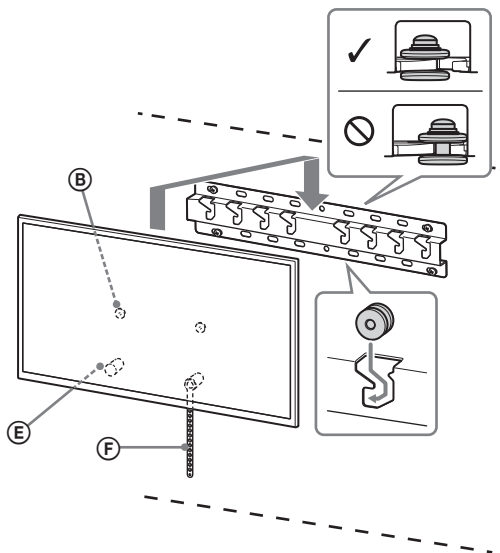
## 1 Теледидарды тұғырға орнату.

- Шкивтердің **В** тұғырда бекітілетін орнын анықтау үшін 8-беттегі «Орнатылатын орынды анықтау» бөліміндегі 3-қадамның кестесін қараңыз.
- Теледидарды екі қолыңызбен мықтап ұстап теледидардың артына бекітілген шкивтерді саңылаулардың кескініне сәйкестендіре отырып **В** тұғырға ақырын бекітіңіз.
- ТД-ды қабырғаға орнатқаннан кейін тегершіктер **В** негізге немесе Негізгі адаптерге бекем ілінгендігін тексеріңіз.

2-a



2-b

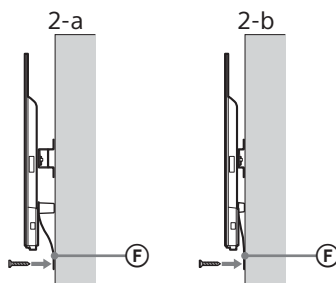


### ЕСКЕРТУ

- Жұмыс істеу кезінде екі немесе одан да көп адам теледидарды ұстап тұруы керек.

## 2 Теледидардың төменгі бөлігінің жылжып кетуін болдырмау.

- Белдікті **F** алып, оны қабырғаға мықтап бекітіңіз.



- Диаметрі 5 мм болатын немесе ұқсас бұранданы пайдаланыңыз (берілмеген).

### Ескерту

- Теледидардың алға қарай жылжымайтынын тексеру үшін теледидардың төменгі бөлігін өзіңізге қарай ақырын тартып көріңіз. Жылжитын болса, дұрыс бекітілмеген болғаны және белдікті **F** қайта бекітіңіз.

KZ



## Орнатудың аяқталғандығын тексеру

Келесілерді тексеріңіз.

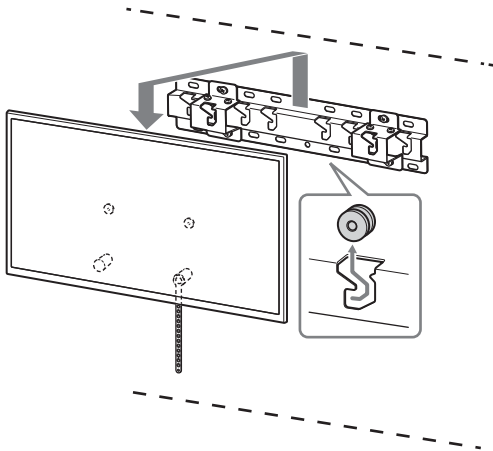
- Тегершіктер **ⓑ** негізге немесе Негізгі адаптерге адаптеріне бекем ілінді.
- Сым мен кабель оралмаған немесе қысылмаған.
- Белдік **ⓕ** мықтап бекітілген.

### ЕСКЕРТУ

- Айнымалы ток сымның немесе т.б. қате орналасуы қысқа тұйықталу салдарынан өрттің пайда болуына немесе ток соғу қаупіне әкелуі мүмкін. Орнату жұмыстарының қауіпсіздік талаптарына сай орындалғанына көз жеткізіңіз.

## Басқа ақпарат

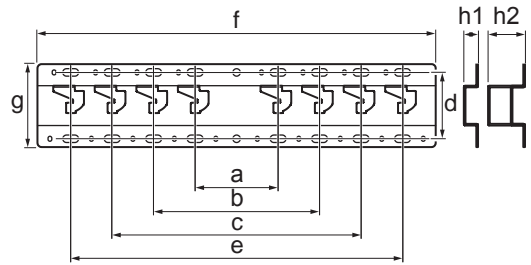
Теледидарды алған кезде алдыңғы орнату процедурасын керісінше орындаңыз.



### ЕСКЕРТУ

- Теледидарды алған кезде екі немесе одан да көп адам теледидарды ұстап тұруы керек.

## Техникалық сипаттамалары



### Өлшемдері: (шамамен) [мм]

- a : 100
- b : 200
- c : 300
- d : 80
- e : 400
- f : 480
- g : 100

h1 : 20 (2-b түрі)

h2 : 60 (2-a түрі)

### Салмағы (тек тұғыр): (шамамен) [кг]

0,8

Дизайн мен техникалық сипаттамалары ескертусіз өзгертіледі.

# Informacije za montažu za upotrebu Sony nosača za postavljanje na zid (SU-WL450)

## Podržani modeli:

**KD-55XD80□□\*/49XD83□□\*/49XD80□□\*/43XD83□□\*/  
43XD80□□\***

\* U konkretnim nazivima modela, „□□“ označava brojeve i/ili slova specifične za svaki model.

### Za kupce

Radi zaštite proizvoda i iz bezbednosnih razloga, Sony striktno preporučuje da montažu vašeg TV-a obave dileri ili licencirani ugovarači kompanije Sony. Ne pokušavajte sami da ga montirate.

### Za dilere ili licencirane ugovarače kompanije Sony

Obezbedite punu pažnju bezbednosti tokom montaže, periodičnog održavanja i pregleda ovog proizvoda.

Za montažu ovog proizvoda je potrebna dovoljna stručnost, posebno za određivanje jačine zida da bi podneo težinu TV-a. Obavezno poverite pričvršćenje ovog proizvoda na zid dilerima ili licenciranim ugovaračima kompanije Sony i posvetite odgovarajuću pažnju bezbednosti tokom montaže. Sony nije odgovoran za bilo kakve štete ili povrede prouzrokovane nepravilnim rukovanjem ili nepropisnom montažom.

Za bezbedno i pravilno postavljanje, sledite Uputstva za rukovanje za nosač za montažu na zid, Vodič za početak rada TV -a i uputstva u ovom priručniku.

## O bezbednosti

Hvala vam što ste kupili ovaj proizvod.

### Za kupce

Za postavljanje ovog proizvoda je potrebna dovoljna stručnost. Obavezno poverite postavljanje dilerima ili licenciranim ugovaračima kompanije Sony i posvetite posebnu pažnju bezbednosti tokom montaže. Sony nije odgovoran za bilo kakve štete ili povrede prouzrokovane nepravilnim rukovanjem ili nepropisnom montažom, ili postavljanjem bilo kog drugog osim navedenog proizvoda. Vaša zakonska prava (ako ih ima) se ne povređuju.

### Za dilere kompanije Sony

Za postavljanje ovog proizvoda je potrebna dovoljna stručnost. Obavezno pažljivo pročitajte ovaj priručnik da biste bezbedno obavili rad na postavljanju. Sony nije odgovoran za bilo kakve štete ili povrede prouzrokovane nepravilnim rukovanjem ili nepropisnim postavljanjem. Ovaj priručnik dajte kupcu nakon postavljanja.

Ovaj priručnik sa uputstvima prikazuje ispravno rukovanje proizvodom i važne mere predostrožnosti koje su potrebne da bi se sprečile nesreće. Obavezno pažljivo pročitajte ovaj priručnik i pravilno koristite proizvod. Držite ovaj priručnik dostupnim za buduću upotrebu.

Proizvodi kompanije Sony su projektovani da budu bezbedni. Međutim, ako se proizvodi nepravilno koriste, to može da dovede do ozbiljnih povreda usled požara, strujnog udara, prevrtanja proizvoda ili padanja proizvoda. Obavezno poštujujte mere predostrožnosti za bezbednost radi sprečavanja takvih nesreća.

## OPREZ

### Određeni proizvodi

Ovaj nosač za montažu na zid je projektovan za upotrebu sa određenim modelima TV-a. Za TV prijemnike, pogledajte njihov Vodič za referencu da biste proverili da li nosač za postavljanje na zid može da se koristi.

## Za kupce

### UPOZORENJE

Ako se sledeće mere predostrožnosti ne poštuju, to može da dovede do teških telesnih povreda ili smrti usled požara, strujnog udara ili padanja proizvoda.

### Obavezno poverite postavljanje licenciranim ugovaračima i držite malu decu dalje tokom postavljanja.

Ako se nosač za montažu na zid ili TV ne postave pravilno, može doći do sledećih nesreća. Licencirani ugovarači treba obavezno da izvrše postavljanje.

- TV može da padne i da dovede do ozbiljnih povreda, kao što su modrica ili prelom.
- Ako je zid na koji se postavlja nosač za montažu na zid nestabilan, neravan ili nije vertikalan u odnosu na pod, uređaj može da padne i izazove povrede ili oštećenje imovine. Zid treba da bude u stanju da podnese najmanje četiri puta veću težinu od težine TV-a. (Pogledajte Vodič za referencu svog TV-a radi njegove težine.)
- Ako postavljanje nosača za montažu na zid nije dovoljno čvrsto, uređaj može da padne i izazove povrede ili oštećenje imovine.

### Obavezno poverite pomeranje ili demontažu TV-a licenciranim ugovaračima.

Ako druge osobe osim licenciranih ugovarača prebacuju ili demontiraju TV, on može da padne i izazove povrede ili oštećenje imovine. Neka obavezno dve ili više osoba nose ili demontiraju TV.

### Ne skidajte vijke, i slično, nakon montiranja TV-a.

Ako to učinite, TV može da padne i izazove povrede ili oštećenje imovine.

### Ne vršite izmene na delovima nosača za montažu na zid.

Ako to učinite, nosač za montažu na zid može da padne i izazove povrede ili oštećenje imovine.

### Nemojte montirati nikakvu opremu osim navedenog proizvoda.

Ovaj nosač za montažu na zid je projektovan samo za upotrebu sa navedenim proizvodom. Ako montirate opremu osim navedene, ona može da padne ili da se polomi i izazove povrede ili oštećenje imovine.

### Ne primenjujte nikakvo opterećenje osim TV-a na nosač za montažu na zid. Ne tresite TV prijemnik levo/desno, gore/dole.

Ako to učinite, TV može da padne i izazove povrede ili oštećenje imovine.

### Ne oslanjajte se ili ne kačite na TV.

Ne oslanjajte se ili ne kačite na TV, pošto on može da padne na vas i izazove ozbiljne povrede.

## OPREZ

Ako se ne poštuju sledeće mere predostrožnosti, može da dođe do povreda ili oštećenja imovine.

### Ne rukujte proizvodom sa prekomernom silom tokom čišćenja ili održavanja.

Ne primenjujte prekomernu silu na gornjoj strani TV-a. Ako to učinite, TV može da padne i izazove povrede ili oštećenje imovine.

## Mere predostrožnosti

- Ako koristite TV postavljen na nosač za montažu na zid dugo vremena, zid iza i iznad TV-a može da promeni boju ili se tapete mogu odlepti, u zavisnosti od materijala zida.
- Ako se kompletan nosač za montažu skine nakon postavljanja, ostaju rupe od vijaka.
- Ne koristite nosač za montažu na zid na mestu gde je podložan mehaničkim vibracijama.

## Postavljanje nosača za montažu na zid

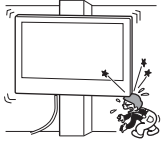
### Za dilere kompanije Sony

## UPOZORENJE

Sledeća uputstva su namenjena samo za dilere kompanije Sony. Obavezno pročitajte gore opisana bezbednosna uputstva i obratite posebnu pažnju na bezbednost tokom postavljanja, održavanja i provere ovog proizvoda.

## Ne postavljajte nosač za montažu na zid na zidnim površinama gde su uglovi ili strane televizora izbočeni od površine zida.

Ne postavljajte nosač za montažu na zid na zidnim površinama kao što je stub, gde su uglovi ili strane televizora izbočeni od površine zida. Ako se desi da osoba ili predmet udare u izbočeni ugao ili bočnu stranu TV-a, to može da dovede do povreda ili oštećenje imovine.

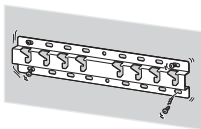


## Ne postavljajte TV iznad ili ispod klima uređaja.

Ako je TV izložen dugo vreme prodoru vode ili toplog vazduha iz klima uređaja, to može da dovede do požara, strujnog udara ili kvara na TV-u.

## Obavezno postavite nosač za montažu na zid čvrsto na zid postupajući prema uputstvima iz ovog priručnika.

Ako bilo koji od vijaka postane labav ili ispadne, nosač za montažu na zid može da padne i dovede do povreda ili oštećenja imovine. Obavezno koristite odgovarajuće vijke za materijal zida i postavite uređaj bezbedno pomoću četiri ili više vijaka prečnika 8 mm (ili ekvivalentne).



**Obavezno pravilno koristite isporučene vijke i delove za pričvršćenje postupajući prema uputstvima iz ovog priručnika. Ako koristite delove koji nisu originalni, TV može da padne i da nekome dovede do telesne povrede ili do oštećenja TV-a.**

## Proverite da li ste pravilno sklopili nosač za zid postupajući prema datom postupku objašnjenom u ovom priručniku sa uputstvima.

Ako su bilo koji od vijaka labavi ili ispadnu, TV može da padne i da nekome dovede do telesne povrede ili do oštećenja TV-a.

## Obavezno pritegnite vijke čvrsto u određenom položaju.

Ako propustite da to učinite, TV može da padne i da nekome dovede do telesne povrede ili do oštećenja TV-a.

## Pazite da ne izlažete televizor udaru tokom postavljanja.

Ako se TV izloži udaru, može da padne ili da se polomi. Ovo može da dovede do povreda.

## Obavezno postavite TV na zid koji je istovremeno vertikalna i ravan.

Ako propustite da to učinite, TV može da padne i izazove povrede.

## Nakon pravilnog postavljanja TV-a, propisno obezbedite kablove.

Ako se ljudi ili predmeti zapletu sa kablovima, to može da dovede do povreda ili do oštećenja TV-a.

## Ne dozvolite da strujni kabl ili kabl za povezivanje budu prikliješteni.

Ako se strujni kabl ili kabl za povezivanje priklešti između uređaja i zida ili se savije ili iskrivi silom, unutrašnji provodnici mogu da postanu otkriveni i izazovu kratak spoj ili prekid struje. Ovo može da izazove požar ili strujni udar.



## Vijci potrebni za pričvršćenje nosača za montažu na zid se ne isporučuju.

Koristite odgovarajuće vijke za materijal i strukturu zida prilikom montiranja nosača za montažu na zid.

## Postavljanje TV-a na zid

Postupak postavljanja se razlikuje, u zavisnosti od vašeg TV-a.

Upotrebite nosač za postavljanje na zid SU-WL450 da biste montirali TV na zid.

### Napomena

- Obavezno čuvajte izvađene vijke na bezbednom mestu, držeći ih dalje od dece.

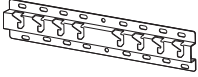

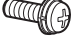







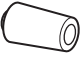



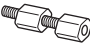



## Priprema za postavljanje

- Neka vam Vodič za reference TV-a bude pri ruci pre montaže.
- Proverite pre sklapanja da li imate Filipsov odvijač koji odgovara za vijke.
- Proverite položaj za postavljanje vašeg TV-a.
- Pripremite četiri ili više vijaka prečnika 8 mm i jedan vijak prečnika 5 mm ili ekvivalentan (nisu isporučeni). Izaberite vijke koji odgovaraju za materijal zida.

## Provera delova

### Isporučeno uz SU-WL450

- Proverite da li su svi delovi isporučeni.

<b>A</b> Osnova (20) (1) 	<b>B</b> Remenica (2) 
<b>C</b> PSW 6x20 (4) 	<b>D</b> PSW 4x20 sa čaurom (2) 
<b>E</b> Odstojnik (20) (2) 	<b>F</b> Remen (1) 
<b>G</b> Čaura (20) (M4) (2) 	<b>H</b> PSW 4x20 (2) 
<b>I</b> Spojnica za osnovu (2) 	<b>J</b> PSW 4x10 (8) 
<b>K</b> Odstojnik (60) (2) 	<b>L</b> PSW 6x50 (2) 
<b>M</b> Čaura (M4) (2) 	<b>N</b> PSW 4x50 (2) 
<b>O</b> Deo za pričvršćenje za montažu na zid (S) (2) 	<b>P</b> Odstojnik (2) 
<b>Q</b> Podloška (1) 	<b>R</b> PSW 5x12 (1) 

### Isporučeno uz TV (pričvršćen na zadnjoj strani)

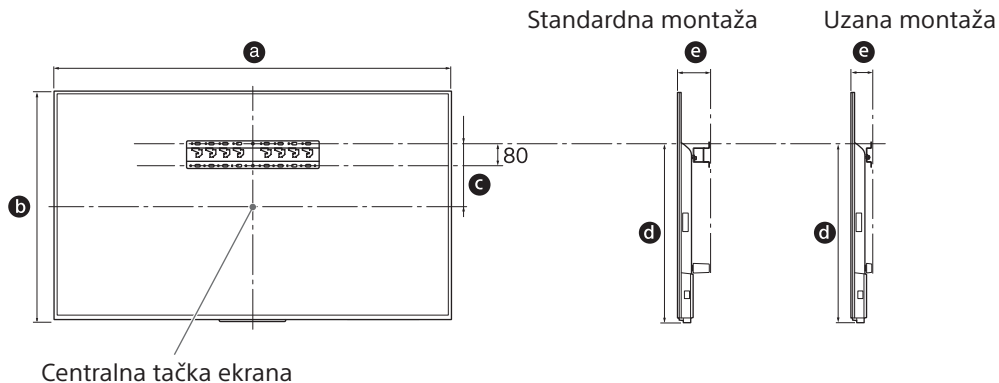
<b>S</b> Držač kablova (1) 
---

# Odlučivanje o mestu za postavljanje

## 1 Odlučite o mestu za postavljanje.

Uverite se da zid ima dovoljno prostora za TV i da može da podnese težinu bar četiri puta veću od težine TV-a.

Pogledajte sledeću tabelu o montaži TV-a na zid. Pogledajte Vodič za reference svog TV-a radi težine TV-a.



Jedinica: mm

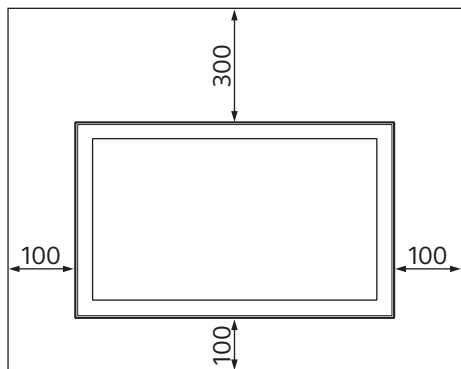
Naziv modela KD-	Dimenzije ekrana		Dimenzija centra ekrana	Dužina za postavljanje		
	a	b	c	d	e	
					Standardna montaža	Uzana montaža
55XD80□□	1.231	717	129	494	102	60
49XD83□□ 49XD80□□	1.093	639	181	508	102	60
43XD83□□	960	564	209	498	108	66
43XD80□□	960	564	209	498	107	65

### Napomena

- Cifre u tabeli mogu neznatno da se razlikuju u zavisnosti od montaže.

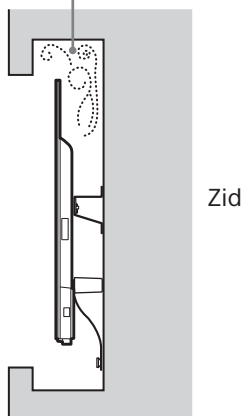
Ostavite odgovarajući razmak između TV-a i plafona i izbočenih delova zida kako je prikazano ispod.

Jedinica: mm



- Da biste osigurali odgovarajuću ventilaciju i sprečili sakupljanje prljavštine ili prašine:
  - Ne postavljajte TV prijemnik ravno, ne montirajte ga naopačke, unazad ili bočno.
  - Ne postavljajte TV prijemnik na policu, tepih, krevet ili u orman.
  - Ne prekrivajte TV prijemnik tkaninom, kao što su zavese ili predmetima kao što su novine, itd.
  - Ne montirajte TV kao što je prikazano ispod.

Cirkulacija vazduha je blokirana.



### Napomena

- Ako nameravate da vodite kablove kroz zid, napravite otvor u zidu da biste umetnuli kablove pre započinjanja postavljanja. Da biste sprečili priklještenje kablova, pripremite rupu u zidu negde van opsega osnove (20) (A), spojnica za osnovu (1) i odstojnika (20) (E), odstojnika (60) (B).

2 Izaberite stil montaže na zid. Udaljenost zadnje strane TV-a od zida može da se izabere kao što je pokazano ispod.

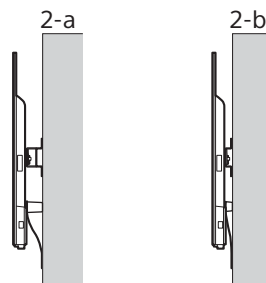
**2-a** Standardna montaža

**2-b** Uzana montaža

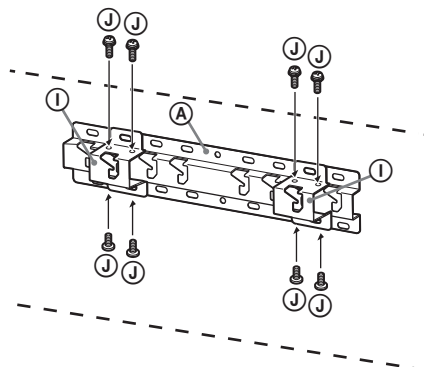
Pogledajte tabelu koraka 1.

### UPOZORENJE

- Kada se izabere 2-b, pristup priključku na zadnjoj strani je ograničen.

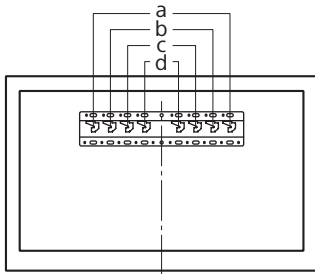


Postavite spojnicu osnove (1) pomoću vijka (PSW 4x10) (J) na osnovu (20) (A) prilikom izbora 2-a.



- 3 Pogledajte donju tabelu o mestu za pričvršćenje priključka osnove. U slučaju da izaberete 2-b, tada preskočite ovaj korak.

Naziv modela KD-	Mesto za kuke
55XD80□□ 49XD83□□ 49XD80□□	c
43XD83□□ 43XD80□□	d



- 4 Odlučite o položajima vijaka za postavljanje osnove (20) (A).

Pogledajte specifikacije na strani 12.

**Prilikom izbora 2-a, izaberite položaje rupa spojnice adaptera (I).**

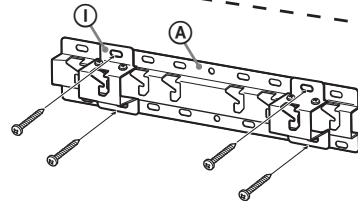
#### UPOZORENJE

- Zid na koji će se montirati TV treba da bude u stanju da podnese **težinu od najmanje četiri puta težine** TV-a (Pogledajte Vodič za reference svog TV-a radi njegove težine.).
- Odredite jačinu zida na koji će TV biti montiran. Ojačajte dovoljno zid, ako je potrebno.

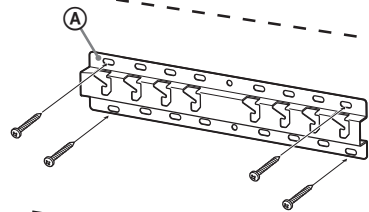
## Postavljanje osnove na zid

- Upotrebite četiri ili više vijaka prečnika 8 mm ili ekvivalentne (nisu isporučeni).
- **Postavite četiri vijka u rupe spojnice osnove (I) sa osnovom (20) (A) (samo 2-a).**
- Postavite horizontalno osnovu (20) (A) na zid.

2-a



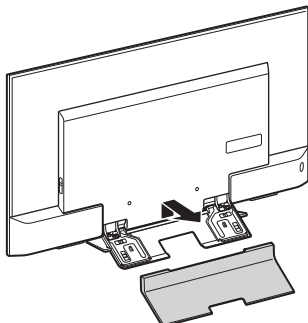
2-b





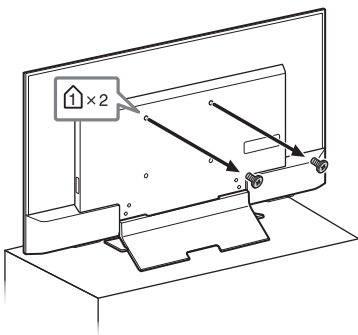
## Priprema za postavljanje TV-a

- 1 Skinite omot postolja.  
(samo KD-55XD80□□)

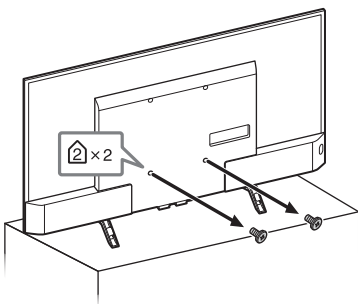


- 2 Izvadite vijke sa zadnje strane TV -a.

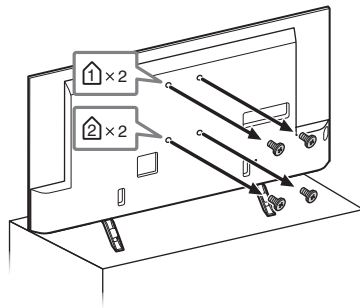
KD-55XD80□□



KD-49XD83□□/49XD80□□



KD-43XD83□□/43XD80□□

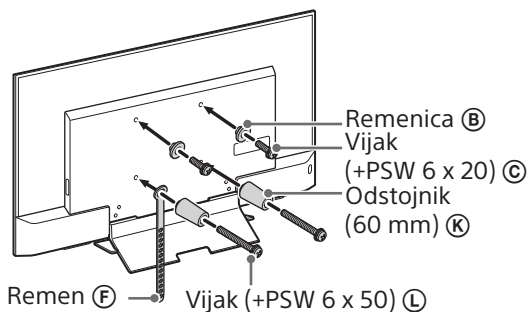


- 3 Pričvrstite delove za pričvršćenje za nosač za postavljanje na zid. Proverite delove za pričvršćenje pozivajući se na „Isporučeno uz SU-WL450“ u „Provera delova“ na strani 5.

### Napomena

- Čvrsto osigurajte delove za pričvršćenje pomoću vijaka.
- Kada koristite električni odvijač, podesite zatezni moment na približno 1,5 N·m {15 kgf·cm}.
- Obavezno čuvajte neiskorišćene delove za buduću upotrebu. Zadržite ovaj priručnik za buduće potrebe.

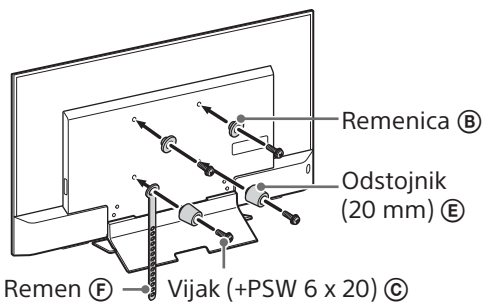
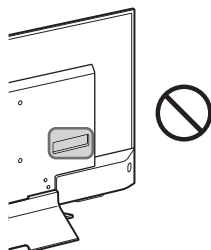
### Standardna montaža (2-a)



## Uzana montaža (2-b)

### Napomena

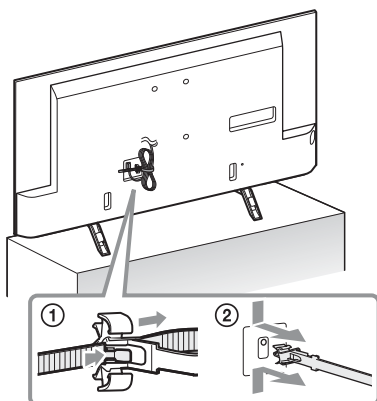
- Ne možete koristiti neke terminale na zadnjoj strani TV-a kada koristite ovaj stil za montažu.



## 4 Povežite potrebni kabl(ove) sa TV-om.

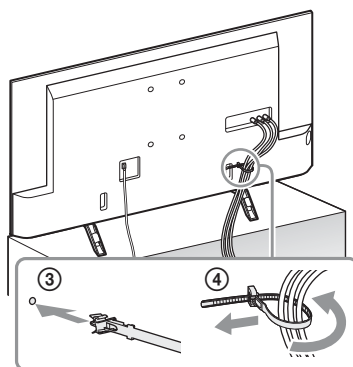
Obavezno povežite kablove pre postavljanja TV-a na zid. Nećete moći da povežete kablove kada se TV postavi. Pogledajte Vodič za reference isporučen uz vaš TV.

## 5 Odvojite držač kablova (isporučen sa TV-om). (samo KD-43XD83□□/43XD80□□)



## 6 Spojite kablove.

Za KD-43XD83□□/43XD80□□, pričvrstite držač kablova na jednu od unutrašnjih rupa.

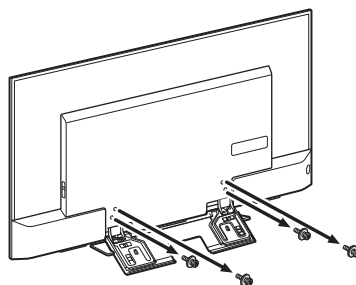


### Napomena

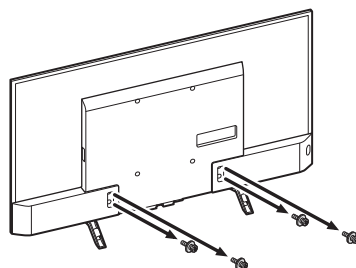
- Poverite vođenje kablova u zidu licenciranom ugovaraču.
- Spojite kablove za povezivanje pre montaže na zid da biste sprečili da stanete na njih.

## 7 Odvojite postolje za sto od TV-a.

### Samo KD-55XD80□□



### Osim KD-55XD80□□

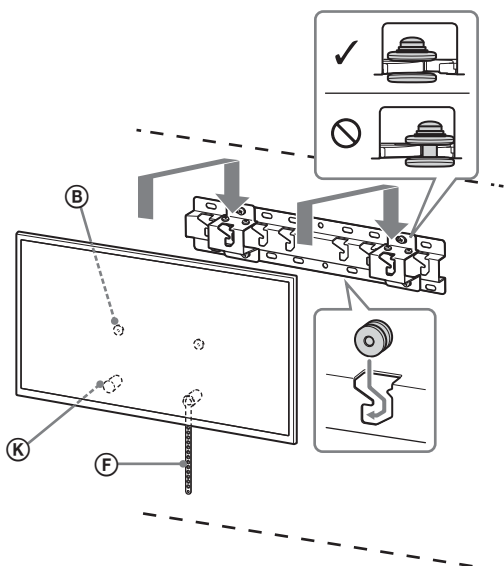


## Postavljanje TV-a na zid

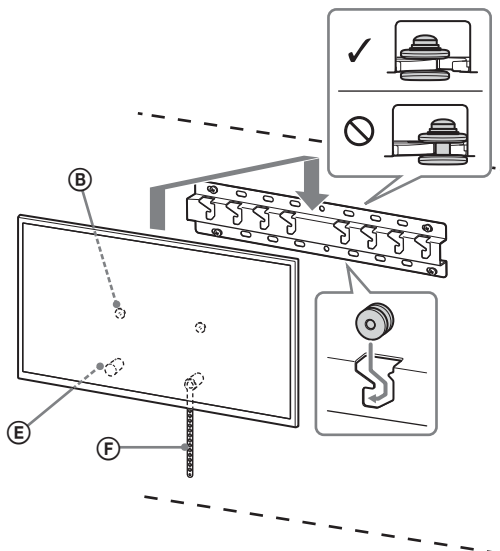
### 1 Postavite TV na osnovu.

- Za mesto remenica ② da bi se okačile na osnovu, pogledajte tabelu koraka 3 u „Odlučivanje o mestu za postavljanje“ na strani 8.
- Držite čvrsto TV sa obe ruke i pažljivo okačite remenice ② pričvršćene na zadnjoj strani TV-a na osnovu, pazeći da proverite oblik otvora.
- Nakon montaže TV-a na zid, proverite da li su remenice ② čvrsto pričvršćene u osnovu ili spojnicu za osnovu.

2-a



2-b

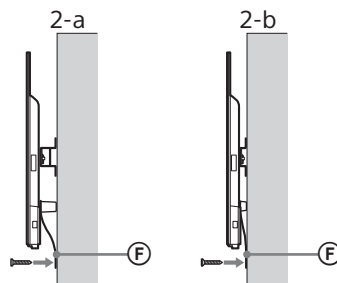


#### UPOZORENJE

- Neka obavezno dve ili više osoba drže TV kada se nosi.

### 2 Sprečavanje pomeranja dna TV-a.

- Podignite labavi deo remena ⑥ i pričvrstite ga čvrsto na zid.



- Upotrebite vijak prečnika 5 mm ili ekvivalentan (nije isporučan).

#### Napomena

- Pokušajte da povučete dno TV-a malo napred prema vama, da biste se uverili da se ne pomera napred. Ako postoji bilo kakvo pomeranje, on nije ispravno pričvršćen, a remen ⑥ treba ponovo čvrsto da se pričvrsti.

SR

## Potvrđivanje završetka postavljanja

Proverite sledeće tačke.

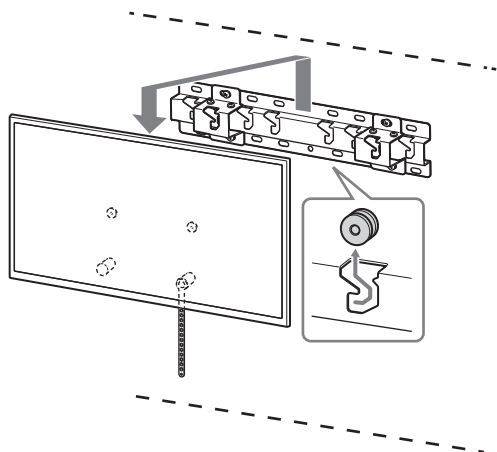
- Remenice ② su čvrsto okačene na osnovu ili spojnicu za osnovu.
- Strujni kabl i kabl nisu uvrnuti ili priklješteni.
- Remen ③ je zategnut bez labavog dela.

### UPOZORENJE

- Neproписno postavljanje strujnog kabla naizmenične struje, i slično, može da dovede do požara ili strujnog udara preko kratkog spoja. Obavezno proverite završetak postavljanja radi bezbednosti.

## Ostale informacije

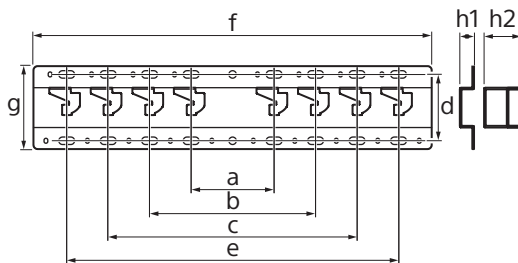
Prilikom skidanja TV-a, postupajte obrnutim redosledom od prethodnog postupka za postavljanje.



### UPOZORENJE

- Neka obavezno dve ili više osoba drže TV kada se skida.

## Specifikacije



### Dimenzije: (približ.) [mm]

- a : 100
- b : 200
- c : 300
- d : 80
- e : 400
- f : 480
- g : 100

h1 : 20 (slučaj 2-b)

h2 : 60 (slučaj 2-a)

### Težina (samo osnova): (približ.) [kg]

0,8

Dizajn i specifikacije podležu izmenama bez obaveštenja.

# מידע להתקנה לשימוש במתלה קיר (SU-WL450) של Sony

**דגמים נתמכים:**

**KD-55XD80□□\*/49XD83□□\*/49XD80□□\*/43XD83□□\*/  
43XD80□□\***

\* בשמות הדגמים בפועל, "□□" מציין מספרים ו/או תווים ספציפיים לכל דגם.

ללקוחות  
להגנה על המוצר ומטעמי בטיחות, Sony ממליצה מאוד שהתקנת הטלוויזיה תבוצע על-ידי סוכנים או קבלנים מורשים של Sony. אל תנסה לבצע את ההתקנה בעצמך.

לסוכני Sony וקבלנים  
יש להקפיד על בטיחות מלאה במהלך ההתקנה, פעילויות תחזוקה שגרתיות ובדיקות של המוצר.

נדרשת מומחיות מספקת להתקנת המוצר, בייחוד לצורך קביעת חוזק הקיר לנשיאת משקל הטלוויזיה. יש להקפיד שחיבור המוצר לקיר יבוצע על-ידי סוכני Sony או קבלנים מורשים שלה, ולהקפיד על בטיחות נאותה במהלך ההתקנה. Sony אינה אחראית לנזקים או פגיעות גופניות שנגרמים בשל טיפול שגוי או התקנה לא הולמת.

למען הבטיחות וכדי להבטיח התקנה נאותה, פעל בהתאם להוראות ההפעלה של מתלה הקיר, מדריך ההפעלה של הטלוויזיה וההוראות שבמדריך זה.

## על בטיחות

תודה שרכשת מוצר זה.

### ללקוחות

נדרשת מומחיות על-מנת להתקין מוצר זה. הקפד שההתקנה תבוצע על-ידי סוכנים של Sony או קבלנים מורשים ושי לב לבטיחות בזמן ההתקנה. Sony אינה אחראית לכל נזק או פגיעה שתיגרם כתוצאה מטיפול או התקנה בלתי נאותים, או כתוצאה מהתקנה אחרת זולת המוצר המפורט. זכויותך המעוגנות בחוק (אם קיימות) לא יושפעו.

### לספקים של Sony

נדרשת מומחיות על-מנת להתקין מוצר זה. קרא היטב את מדריך ההוראות הזה כדי לבצע את עבודת ההתקנה בבטחה. Sony אינה אחראית לכל נזק או פגיעה שתיגרם כתוצאה מטיפול או התקנה בלתי נאותים. מסור חוברת זו ללקוח לאחר ההתקנה.

מדריך הוראות זה מראה את הטיפול הנכון במוצר ואמצעי זהירות חשובים הנחוצים למניעת תאומות. הקפד לקרוא מדריך זה היטב ולהשתמש ככון במוצר. שמור את המדריך לעיון עתידי.

התכנון של מוצרי Sony מתבצע תוך מחשבה על בטיחות. שימוש לא ככון במוצרים עלול לגרום לפגיעה חמורה בעקבות שריפה, התחשמלות, התחככות המוצר או נפילתו. הקפד על נקיטת אמצעי הזהירות למניעת תאונות שכאלה.

## זהירות

### המוצרים המפורטים

מתלה הקיר מיועד לשימוש רק עם הטלוויזיות המפורטות. עבור מכשירי טלוויזיה, עיין במדריך העיון הרלוונטי כדי לאמת שניתן להשתמש במתלה הקיר.

## ללקוחות

### אזהרה

אי הקפדה על אמצעי הזהירות הבאים עלולה לגרום לפגיעה חמורה או מוות כתוצאה משריפה, התחשמלות או נפילת המוצר.

### הקפד שההתקנה תבוצע על-ידי סוכנים מורשים והרחק ילדים בזמן ההתקנה.

התקנה לא נכונה של מתלה הקיר או הטלוויזיה עלולים לגרום לתאונות הבאות. הקפד שההתקנה תבוצע על-ידי קבלנים מורשים.

- הטלוויזיה עלולה ליפול ולגרום לפגיעה חמורה כגון חבורה או שבר.
- אם הקיר שעליו מותקן מתלה הקיר אינו יציב, אינו אחיד או אינו מאונך לרצפה, היחידה עלולה ליפול ולגרום לפגיעה או נזק לרכוש. על הקיר להיות מסוגל לתמוך במשקל של לפחות פי ארבע ממשקל הטלוויזיה.
- (עיין במדריך העיון של הטלוויזיה כדי לדעת מה משקלה).
- אם התקנת מתלה הקיר על הקיר אינה מספיק איתנה, היחידה עלולה ליפול ולגרום לפגיעה או נזק לרכוש.

### הקפד שהעברת הטלוויזיה או הסרתה תבוצע על-ידי קבלנים מורשים.

אם העברת הטלוויזיה או הסרתה תבוצע על-ידי אנשים שאינם קבלנים מורשים, היא עלולה ליפול ולגרום לפגיעה או נזק לרכוש. הקפד שנשיאת הטלוויזיה או הסרתה תבוצע על-ידי שני אנשים או יותר.

### אל תסיר ברגים וכו' לאחר תליית הטלוויזיה.

אם תעשה כן, הטלוויזיה עלולה ליפול ולגרום לפגיעה או נזק לרכוש.

### אל תבצע שינויים לחלקים של מתלה הקיר.

אם תעשה כן, מתלה הקיר עלול ליפול ולגרום לפגיעה או נזק לרכוש.

### את תתלה ציוד זולת המוצר המפורט.

מתלה הקיר מיועד לשימוש רק עם המוצר המפורט. אם תתלה ציוד השונה מזה שפורט, הוא עלול ליפול או להישבר ולגרום לפגיעה או נזק לרכוש.

### אל תתלה שום עומס זולת הטלוויזיה על מתלה הקיר. אל תטלטל את הטלוויזיה שמאלה/ימינה, למעלה/למטה.

אם תעשה כן, הטלוויזיה עלולה ליפול ולגרום לפגיעה או נזק לרכוש.

### אל תישען על הטלוויזיה או תתלה ממנה.

אל תישען על הטלוויזיה או תיתלה עליה שכן היא עלולה ליפול עלידך ולגרום לפגיעה חמורה.

### זהירות

אי הקפדה על אמצעי הזהירות הבאים עלולה להוביל לפגיעה או נזק לרכוש.

### אין לטפל המוצר בכוח מופרז במהלך הניקוי או התחזוקה.

אל תפעיל כוח מופרז על החלק העליון של הטלוויזיה. אם תעשה כן, הטלוויזיה עלולה ליפול ולגרום לפגיעה או נזק לרכוש.

### אמצעי זהירות

- אם השתמש בטלוויזיה המותקנת על מתלה קישר למשך זמן רב, צבע הקיר מאחורי או מעל לטלוויזיה עלול לשנות את צבעו או שהטפט עלול להתנתק מהקיר. בהתאם לחומר שממנו עשוי הקיר.
- הסרת מתלה הקיר לאחר התקנתו תשאיר חורי ברגים בקיר.
- אין להשתמש במתלה הקיר במקום הנתון לרעידות מכניות.

### התקנת מתלה הקיר

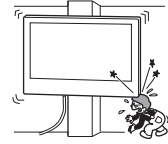
#### לספקים של Sony

### אזהרה

ההוראות הבאות מיועדות לספקי Sony בלבד. הקפד לקרוא את אמצעי הזהירות המתוארים למעלה ושים לב במיוחד לבטיחות במהלך ההתקנה, התחזוקה והבדיקה של מוצר זה.

### אל תתקין את מתלה הקיר על משטחי קירות שבהם פינות או צידי הטלוויזיה בולטים משטח פני הקיר.

אל תתקין את מתלה הקיר על משטחי קירות כגון עמודים שבהם פינות או צידי הטלוויזיה בולטים משטח פני הקיר. פגיעה של אדם או עצם כלשהו בפינה או בצד הבולטים של הטלוויזיה, עלולה לגרום לפגיעה או לנזק לרכוש.

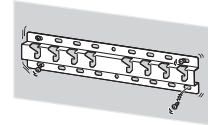


### **אל תתקין את הטלוויזיה מעל או מתחת למזגן.**

אם הטלוויזיה תיחשף לנזילות מים או לזרם אוויר ממזגן למשך זמן ארוך, עלולה להיגרם שריפה, התחשמלות או תקלה בטלוויזיה.

### **הקפד להתקין היטב את מתלה הקיר לקיר תוך הקפדה על ההוראות שבמדריך זה.**

אם חברגים יהיו רופפים או יפלו, מתלה הקיר עלול ליפול ולגרום לפגיעה או נזק לרכוש. הקפד להשתמש בברגים המתאימים לחומר שממנו עשוי הקיר והתקן את היחידה היטב באמצעות ארבעה ברגים או יותר בקוטר 8 מ"מ (או שווה ערך).



**הקפד להשתמש בברגים ובחלקי החיבור המסופקים בהתאם להוראות הכלולות במדריך הוראות זה. אם תשתמש בחלקים חלופיים, הטלוויזיה עלולה ליפול ולגרום לפגיעה גופנית או לנזק לרכוש.**

### **הקפד להרכיב כהלכה את הזווית לפי התהליך המתואר במדריך הוראות זה.**

אם חברגים יהיו רופפים או יפלו, הטלוויזיה עלולה ליפול ולגרום לפגיעה גופנית או לנזק לטלוויזיה.

### **הקפד להדק את הברגים היטב במקומם המיועד.**

אם לא תעשה כן, הטלוויזיה עלולה ליפול ולגרום לפגיעה גופנית או לנזק לטלוויזיה.

### **שים לב לא לזעזע את הטלוויזיה במהלך ההתקנה.**

זעזוע הטלוויזיה עלול לגרום לנפילתה או שבירתה. פעולה זו עלולה לגרום לפגיעה.

### **הקפד להתקין את הטלוויזיה על קיר מאונך וישר.**

אם לא תעשה כן, הטלוויזיה עלולה ליפול ולגרום לפגיעה.

### **לאחר התנה נאותה של הטלוויזיה, הדק היטב את הכבלים.**

אם אנשים או עצמים ייתקלו בכבלים, עלולה להיגרם פגיעה או עלול להיגרם נזק לטלוויזיה.

### **אל תאפשר לכבל המתח או לכבל המחבר להיצט.**

אם כבל המתח או הכבל המחבר צבויים בין היחידה לבין הקיר או שהם מכופפים או מסובבים בכוח, המוליכים הפנימיים עלולים להיחשף ולגרום לקצר או נתק חשמלי. דבר זה עלול לגרום לשריפה או להתחשמלות.


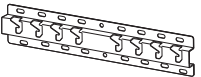









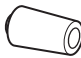

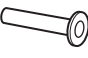

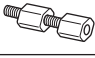




### **הברגים הנחוצים לקיבוע מתלה הקיר לקיר אינם מסופקים.**

השתמש בברגים המתאימים לחומר שממנו עשוי הקיר בעת התקנת מתלה הקיר.

## בדיקת החלקים

פריטים המסופקים עם דגם SU-WL450  
 • ודא שכל החלקים נמצאים.

(B) גלגלת (2) 	(A) בסיס (20) (1) 
(D) PSW 4x20 עם תותב (2) 	(C) PSW 6x20 (4) 
(F) רצועה (1) 	(E) מרווח (20) (2) 
(H) PSW 4x20 (2) 	(G) תותב (2) (20) (M4) 
(J) PSW 4x10 (8) 	(I) מתאם בסיס (2) 
(L) PSW 6x50 (2) 	(K) מרווח (60) (2) 
(N) PSW 4x50 (2) 	(M) תותב (M4) (2) 
(P) מרווח (2) 	(O) חיבורים למתלה הקיר (S) (2) 
(R) PSW 5x12 (1) 	(Q) אום (1) 

פריטים המסופקים עם הטלויזיה  
 (מצורף לחלק האחורי)



## התקנת הטלויזיה על-גבי הקיר

נוהל ההתקנה משתנה בהתאם לטלויזיה.  
 השתמש במתלה קיר מדגם SU-WL450 להתקנת  
 הטלויזיה על הקיר.

### הערה

- הקפד לאחסן את הברגים שהסרת במקום בטוח,  
 ולהרחיקם מהישג ידם של ילדים.

## הכנה להתקנה

- לפני ההתקנה, דאג לכך שמדריך העיון של  
 הטלויזיה יהיה בהישג יד.
- הקפד להכין מברג פיליפס שמתאים לברגים  
 לפני ההרכבה.
- ודא את מיקום ההתקנה של הטלויזיה שלך.  
 הכן ארבעה ברגים או יותר בקוטר 8 מ"מ ובורג  
 אחד בקוטר 5 מ"מ או שווה ערך (לא  
 מסופקים). בחר ברגים המתאימים לחומר  
 שממנו עשוי הקיר.

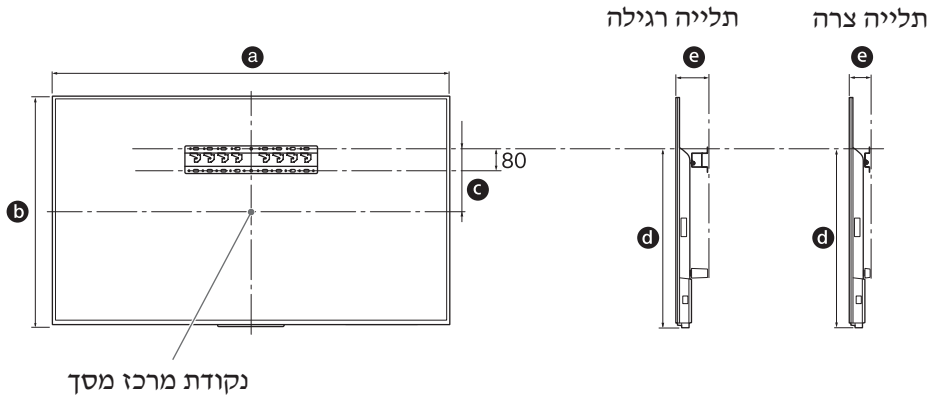


# החלטה על מיקום ההתקנה

## 1 החלט על מיקום ההתקנה.

ודא שיש על הקיר מספיק מקום לאכלוס הטלויזיה ושבאפשרותו לתמוך במשקל של לפחות פי ארבעה מזה של הטלויזיה.

עיון בטבלה הבאה שעוסקת בהרכבת הטלויזיה על הקיר. לקבלת פרטי המשקל של הטלויזיה, עיין במדריך העיון.



יחידה: מ"מ

אורך לתלייה		מידת מרכז מסך		הצג מידות		שם דגם KD-
e	d	c	b	a		
תלייה צרה	תלייה רגילה					
60	102	494	129	717	1,231	55XD80□□
60	102	508	181	639	1,093	49XD83□□ 49XD80□□
66	108	498	209	564	960	43XD83□□
65	107	498	209	564	960	43XD80□□

### הערה

- הנתונים בטבלה עשויים להשתנות במקצת בהתאם להתקנה.

**2** בחר סגנון תלייה על הקיר. המרחק בין גב הטלויזיה לקיר ניתן לבחירה כמוצג להלן.

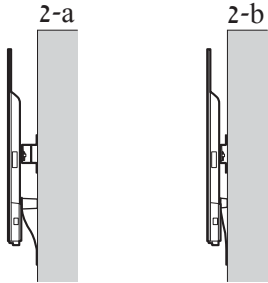
**2-a** תושבת רגילה

**2-b** תושבת דקה

עייין בטבלה שבשלב 1.

**אזהרה**

- כאשר בוחרים 2-b, הגישה לשקעים האחוריים תהיה מוגבלת.

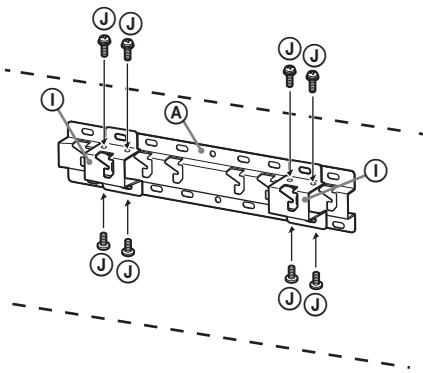


בעת בחירת 2-a, התקן את מתאם

הבסיס ① באמצעות הבורג

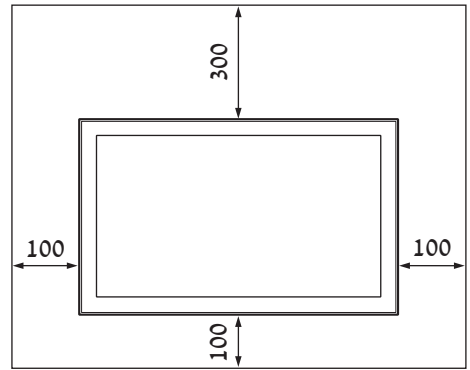
② (PSW 4x10) אל הבסיס (20)

Ⓐ

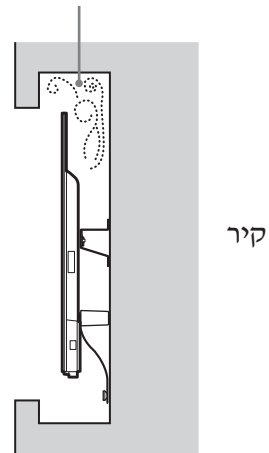


אפשר מרווח מתאים בין הטלויזיה לבין התקרה והחלקים הבולטים של קיר כפי שמתואר למטה.

יחידה: מ"מ



- כדי להבטיח אוורור נאות ולמנוע הצטברות של אבק או לכלוך:
  - אין למקם את הטלויזיה באופן אופקי, הפוך או על הצד.
  - אין למקם את הטלויזיה על מדף, שטיח, מיטה או בתוך ארון.
  - אין לכסות את מכשיר הטלויזיה באמצעות אריגים, כגון וילונות, או פריטים כגון עיתונים וכיוצא בזה.
  - אין להתקין את הטלויזיה כמוצג להלן.
- זרימת האוויר חסומה.



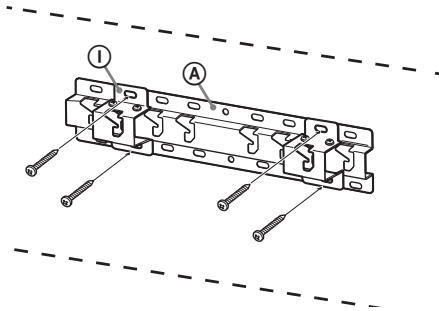
**הערה**

- אם אתה מתכוון להעביר את הכבלים בקיר, הכן חור בקיר להכנסת הכבלים לפני התחלת ההתקנה. כדי למנוע צביטה של הכבלים, הכן חור בקיר מחוץ להיקף הבסיס (20) Ⓐ, מתאם בסיס ① והמרווח (20) Ⓔ, והמרווח (60) Ⓚ.

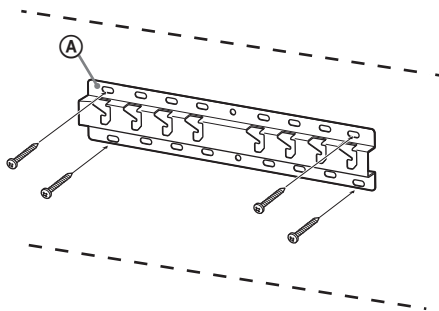
## התקנת הבסיס על-גבי הקיר

- השתמש בארבעה ברגים או יותר בקוטר 8 מ"מ או שווה ערך (לא מסופקים).
- הברג את ארבעת הברגים לחורים שבמתאם הבסיס ① אל בסיס (20) ② (2-a בלבד).
- התקן את הבסיס (20) ② על הקיר באופן אופקי.

2-a

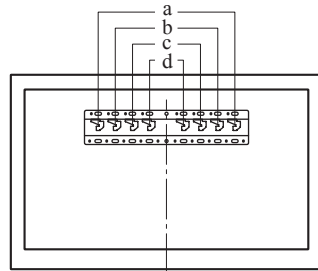


2-b



3 עיין בטבלה שלהלן שעוסקת במיקום להתקנת מתאם הבסיס. אם בוחרים 2-b, דלג על שלב זה.

מיקום הו	שם דגם-KD
c	55XD80□□
	49XD83□□
	49XD80□□
d	43XD83□□
	43XD80□□



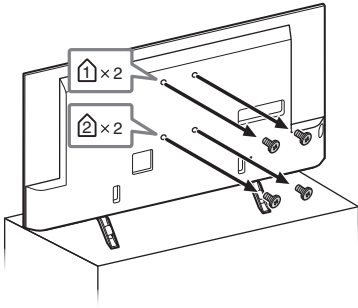
4 החלט על מיקום הברגים להתקנת הבסיס (20) ②.

עיין במפרטים שבמודד 12. בעת בחירת 2-a, השתמש במיקומי החורים של מתאם הבסיס ①.

### אזהרה

- הקיר שעליו תותקן הטלויזיה חייב להיות מסוגל לשאת משקל הגדול לפחות פי ארבע מזה של הטלויזיה (עיין במדריך העיון של הטלויזיה כדי לדעת מה משקלה).
- קבע את חוזק הקיר שעליו תותקן הטלויזיה. במקרה הצורך, חזק את הקיר.

KD-43XD83□□/43XD80□□

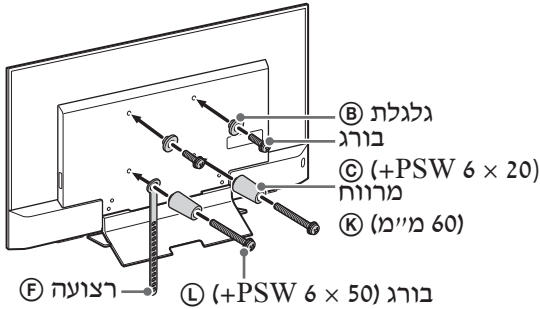


3 חבר את רכיבי החיבור של מתלה הקיר. בדוק את רכיבי החיבור על-ידי עיון בסעיף "פריטים המסופקים עם דגם SU-WL450" בפרק "בדיקת החלקים" בעמוד 5.

**הערה**

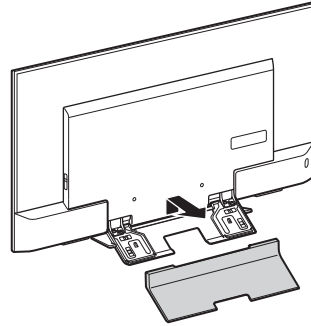
- קבע את הרכיבים המוצמדים באופן מאובטח באמצעות ברגים.
- בעת שימוש במברג חשמלי, קבע את ההגדרה של מומנט הפיתול לכ-1.5 ניוטון מטר {15 קג"כ ס"מ}.
- הקפד לאחסן את החלקים שלא נעשה בהם שימוש במקום בטוח, לשימוש עתידי. שמור על מדריך זה לעיון בעתיד.

**תלייה רגילה (2-a)**



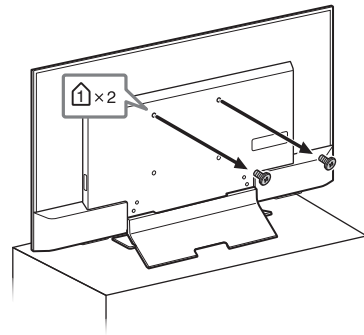
**הכנה להתקנת הטלויזיה**

1 הסר את כיסוי המעמד. (בלבד KD-55XD80□□)

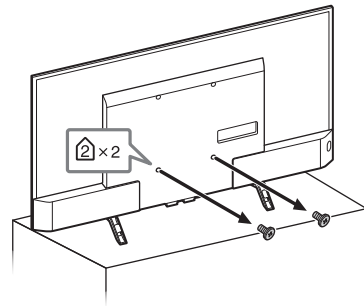


2 הסר את הברגים מהחלק האחורי של הטלויזיה.

KD-55XD80□□



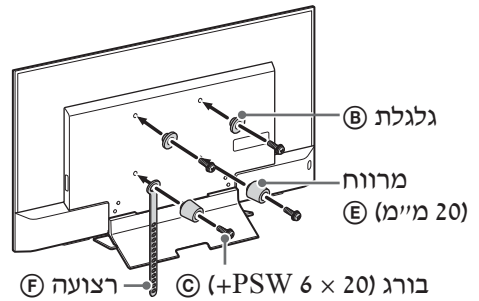
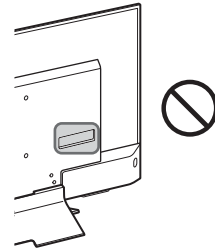
KD-49XD83□□/49XD80□□



## תלייה צרה (2-b)

### הערה

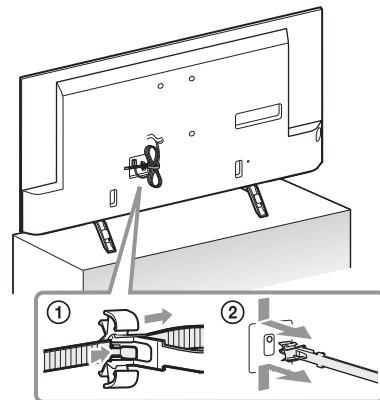
- לא ניתן להשתמש בחלק מהמסופים שבגב הטלוויזיה בעת תלייתה באופן זה.



## 4 חבר את הכבלים הנחוצים לטלוויזיה.

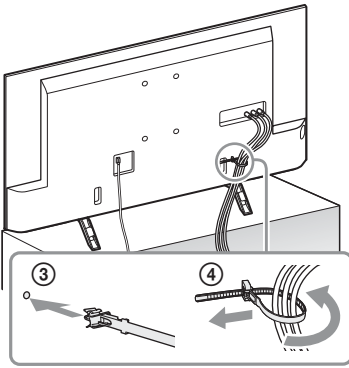
הקפד לחבר את הכבלים לפני התקנת הטלוויזיה על-גבי הקיר. לא תוכל לנתק את הכבלים כאשר הטלוויזיה מותקנת. עיין במדריך העיון שסופק עם הטלוויזיה.

## 5 נתק את מחזיק הכבלים (מצורף למכשיר הטלוויזיה). (בלבד /KD-43XD83□□ /43XD80□□)



## 6 אגד את הכבלים בדגמים

KD-43XD83□□/43XD80□□, הצמד את מחזיק הכבלים לאחר החורים הפנימיים.

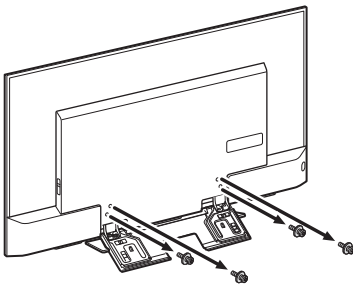


### הערה

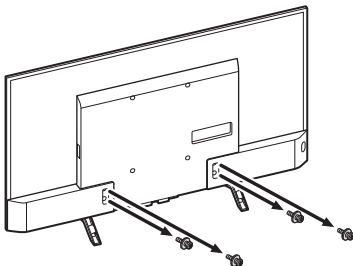
- בצע את העברת הכבלים בקיר באמצעות קבלן מורשה.
- קבץ יחד את הכבלים במחברים כדי להימנע מדריכה עליהם לפני התלייה על הקיר.

## 7 נתק את המעמד השולחני מן הטלוויזיה.

בלבד KD-55XD80□□



מלבד KD-55XD80□□

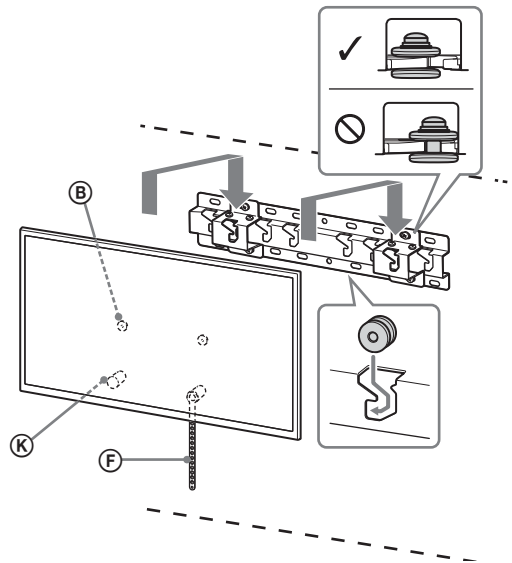


# התקנת הטלויזיה על-גבי הקיר

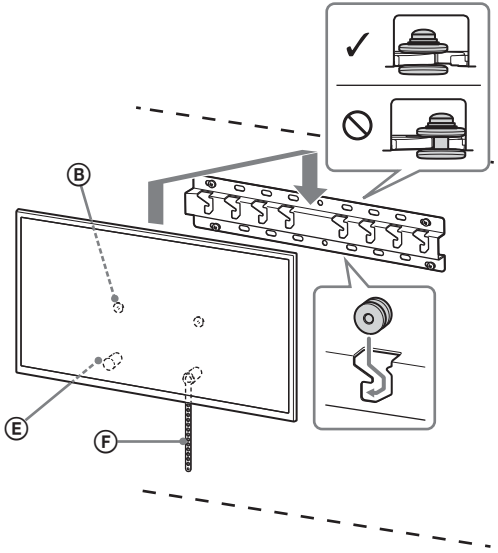
## 1 התקן את הטלויזיה על הבסיס.

- לקבלת פרטים אודות מיקום הגלגלות ⓑ שיש לתלות על הבסיס, ראה טבלה בסעיף 3 "החלטה על מיקום ההתקנה" שבעמוד 8.
- אחוז היטב את הטלויזיה בשתי ידיים ותלה בעדינות את הגלגלות ⓑ המחוברות לגב הטלויזיה על הבסיס, תוך הקפדה על בדיקת צורת החורים.
- אחרי התקנת הטלויזיה על הקיר, ודא שהגלגלות ⓑ מחוברות היטב לבסיס או למתאם הבסיס.

2-a



2-b

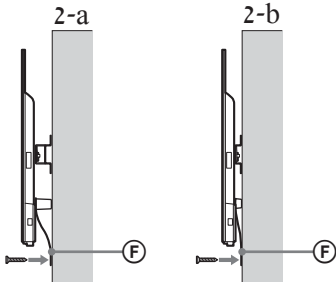


### אזהרה

- הקפד על נשיאת הטלויזיה על-ידי שני אנשים.

## 2 מניעת תזוזה של תחתית הטלויזיה.

- הרם את יתרת הרצועה ⓕ וחבר אותה לקיר בחוזקה.

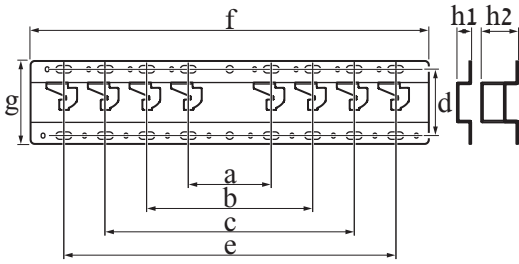


- השתמש בבורג בקוטר 5 מ"מ או שווה ערך (לא מסופק).

### הערה

- נסה למשוך קלות את תחתית הטלויזיה אליך על-מנת לוודא שהיא לא נעה קדימה. אם ישנה תנועה כלשהי, אז היא אינה מורכבת נכון, ויש לחזק שוב את הרצועה ⓕ.

## מפרט



### מידות: (בערך) [מ"מ]

100:	a
200:	b
300:	c
80:	d
400:	e
480:	f
100:	g

h1: 20 (מקרה b-2)

h2: 60 (מקרה a-2)

### משקל (בסיס בלבד): (בערך) [ק"ג]

0.8

העיצוב והמפרטים עשויים להשתנות ללא הודעה מוקדמת.

## אישור השלמת ההתקנה

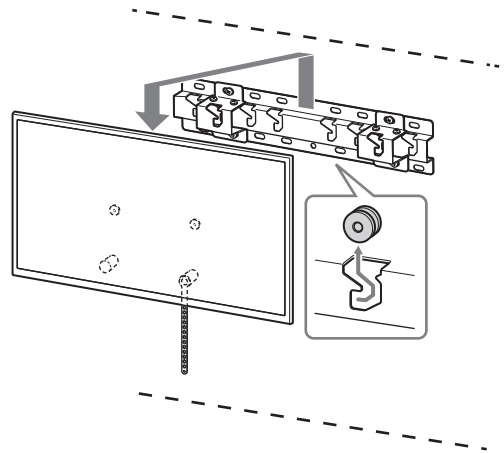
- בדוק את הנקודות הבעות.
- הגלגלות B תלויות היטב על הבסיס או על מתאם הבסיס.
  - הכבל לא מסובב או צבוט.
  - הרצועה E מהודקת ללא חופש.

### אזהרה

- מיקום לא נכון של כבל המתח וכו' עלול לגרום לשריפה או התחשמלות כתוצאה מקצר. הקפד להשלים את ההתקנה למען הבטיחות.

## מידע אחר

בעת הסרת הטלויזיה, בצע את תהליך ההתקנה במהופך.



### אזהרה

- הקפד על נשיאת הטלויזיה על-ידי שני אנשים בעת הסרתה.