



XL Series

Click on the guide you would like to read:

User Guide

Entertainment Guide



User Guide

Personal Computer
VGC-XL Series(PCV-H21M)

Before Use

Congratulations on your purchase of this Sony VAIO computer, and welcome to the on-screen User Guide. Sony has combined leading-edge technology in audio, video, computing, and communications to provide state-of-the-art personal computing.

Notice

© 2005 Sony Corporation. All rights reserved.

This manual and the software described herein, in whole or in part, may not be reproduced, translated, or reduced to any machine-readable form without prior written approval.

Sony Corporation provides no warranty with regard to this manual, the software, or other information contained herein and hereby expressly disclaims any implied warranties or merchantability or fitness for any particular purpose with regard to this manual, the software or such other information. In no event shall Sony Corporation be liable for any incidental, consequential, or special damages, whether based on tort, contract, or otherwise, arising out of or in connection with this manual, the software, or other information contained herein or the use thereof.

In the manual, the ™ or ® marks are not specified.

Sony Corporation reserves the right to make any modification to this manual or the information contained herein at any time without notice. The software described herein is governed by the terms of a separate user license agreement.


Documentation

Your documentation includes printed information and user guides to read on your VAIO computer.

Guides are provided in PDF format, which you can easily browse through and print out.

The **My Club VAIO** portal is a perfect starting point to use your computer — a comprehensive collection of everything you need to get the most from your computer.

The user guides are collected under **Documentation**, which can be shown as follows:

- 1 Click **Start** and then the **My Club VAIO** icon .
- 2 Click **Documentation**.
- 3 Select the guide you want to read.



You can manually browse to the user guides by going to **My Computer > VAIO (C:)** (your C drive) > **Documentation > Documentation** and opening the folder for your language.

Printed Documentation

- **A Setting Up Poster** — Describes the process from unpacking to starting up your VAIO.
- **Troubleshooting Guide** — Contains solutions to common problems.
- **Recovery Guide** — Contains an explanation of how to recover your computer's system if you need to.
- Booklets containing the following information: **Sony Guarantee** conditions, **Safety Regulations**, **Modem Regulations** and **Wireless LAN Regulations**.

Non-printed Documentation

- **User Guide (this manual)** — Contains features of your computer. It also includes information about the software programs included with your computer, as well as information on solving common problems.
- **Specifications** — The online **Specifications** describe the hardware and software configuration of your VAIO computer.
- To view the online **Specifications**:
- Connect to the Internet.
- Go to the Sony VAIO-Link online support Web site at <http://www.vaio-link.com>
- **VAIO Recovery Guide** — Provides information about restoring individual software programs, software drivers, and drive partition(s) or your entire hard disk drive to the original factory installed settings.
- **MCE guide** — Provides information about using the Windows XP Media Center Edition operating system.

My Club VAIO

In **My Club VAIO** you can find:


Documentation, which gives you:

- Access to the **User Guide**. This manual explains the features of your computer in detail, how to use these features confidently and safely, connect peripheral devices and more.
- Access to **Help and Training**. This is the portal of **VAIO Help and Support Center**.
- Important information about your computer, in the form of notices and announcements.
- In **My Club VAIO** you can also find:
 - **Accessories**
Want to expand the capabilities of your computer? Click on this icon and have a look at your compatible accessories.
 - **Software**
Feeling creative? Click this icon for an overview of your software and check out our upgrade options.
 - **Wallpapers**
Click this icon and check out our most popular Sony and Club VAIO wallpapers.
 - **Links**
Click this icon and check out our most popular Sony and Club VAIO web sites.

Help and Support Center

Help and Support Center is a comprehensive resource for practical advice, tutorials, and demonstrations to help you learn to use Microsoft Windows XP and your computer.

Use the Search feature, Index, or table of contents to view all Windows Help resources, including those that are on the Internet.

To access **Help and Support Center**, click **Start** and then **Help and Support**. Or go to the **Help and Support Center** by pressing the Microsoft Windows key  and the **F1** key.

Further Sources

Consult the **Online Help** files of the software you are using for detailed information on features and troubleshooting.

Go to www.club-vaio.com to find online tutorials about your favorite VAIO software.

Ergonomic Considerations

Whenever possible, you should attempt to take account of the following ergonomic considerations:

- **Position of your computer** – Place the display directly in front of you . Keep your forearms horizontal, with your wrists in a neutral, comfortable position while using the keyboard, pointing device, or external mouse. Let your upper arms hang naturally at your sides. Have breaks during sessions with your computer. Excessive use of the computer may strain muscles or tendons.
- **Furniture and posture** – Sit in a chair with good back support. Adjust the level of the chair so your feet are flat on the floor. A footrest may make you more comfortable. Sit in a relaxed, upright posture and avoid slouching forward or leaning far backwards.
- **Viewing angle of the display** – Set the display at a comfortable viewing distance. Make sure the display screen is at eye or slightly lower. Use the display tilting feature, if available, to find the best position. You can reduce eye strain and muscle fatigue by adjusting the tilt of the display to the proper position. Adjust the brightness setting of the display as well.
-
- **Lighting** – Choose a location where windows and lights do not create glare and reflection on the display. Use indirect lighting to avoid bright spots on the display. You can also purchase accessories for your display that help reduce glare. Proper lighting adds to your comfort and work effectiveness.
- **Ventilation** – Make sure you leave at least 5 cm of space behind and on each side of the main unit.

Chapter 1: Getting Started

Introduction

Welcome to the VGX-XL100 Living Room Entertainment Computer User Guide. This guide contains the following information:

- Chapter 1: Getting Started
- Chapter 2: Setting Up Your VGX-XL100 computer
- Chapter 3: Hardware Upgrades & Maintenance
- Appendix A: Wireless Local Area Networks
- Appendix B: Troubleshooting

What is the VGX-XL100 Living Room Entertainment Computer?

The **VGX-XL100** is both a powerful computer and a state of the art home entertainment system. Let **VGX-XL100** lead you into the exciting world of VAIO where new standards are established for digital content management.

- Leverages the latest Intel components
- Uses the latest Microsoft® Windows® XP Media Center operating system
- Offers High Definition connectivity for Sony HD Camcorders

Operating System Software

The operating system for the VGX-XL100 Living Room Entertainment Computer is Microsoft® Windows® XP Media Center Edition 2005. VAIO value-added software provides you with additional features and capabilities and when teamed with Media Center, provides you with an even greater entertainment value.

Even though the digital entertainment features of the VGX-XL100 is designed to work through Media Center, the features can also be accessed through independent software applications pre-installed on the computer.

Media Center Edition 2005

The following list contains a high-level overview of the features available to you in Media Center. For in-depth information about each feature, go to the specific topic in the VGX-XL100 Living Room Entertainment Guide.

Feature	Description
Online Spotlight	The Online Spotlight provides Internet access to the latest entertainment news and events.
My Pictures	Categorize your pictures in as many folders as you wish. Then, select a group to view a single picture or a slide of all pictures in the folder.
My TV	Take control of your TV viewing experience. Watch live TV or record your favorite show for later viewing.
My Music	Enjoy access to all the music stored on your hard drive. Organize, locate, and play your favorite music files in Media Center.
Create DVD	Create DVDs from your favorite recorded TV series. Select only the episodes you want to burn to DVD.
More Programs	To enhance your entertainment experience, links have been included to additional programs for your enjoyment.
Settings	Set your personal preferences for your digital entertainment experience. Review this section carefully to get the most out of your digital entertainment experience.

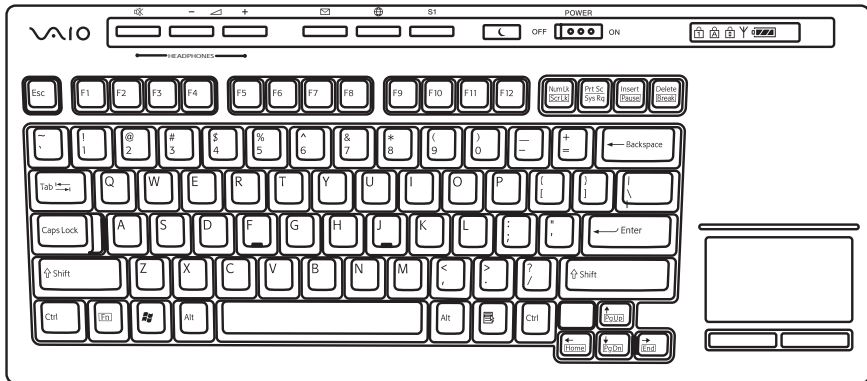
Getting to know the VGX-XL100

Unpacking the VAIO VGX-XL100 Personal Computer

Make sure you have the following items:

VGX-XL100 PC	Wireless Keyboard w/Integrated Pointing Device	
WLAN Antenna	Power Cord	Infrared Blaster Cable
HDMI Cable	Optical S/PDIF Cable	Keyboard Batteries (4)
Remote Batteries (2)	HDMI to DVI-D Adapter	Remote Control
8cm disc adapter		

Setting up the Keyboard



Insert the Batteries

On the back of the Keyboard, remove the battery compartment cover and insert four (4) Alkaline AA batteries (Supplied) oriented as shown in the battery compartment. Replace the battery compartment cover.

Activate Wireless Keyboard Communication

Before using the keyboard, you must activate communications between the computer and the wireless keyboard w/integrated pointing device.

To activate wireless keyboard communications

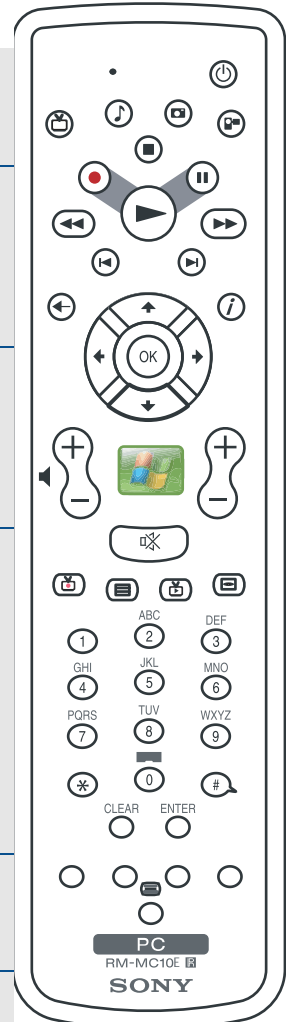
Make sure there are no obstructions between the computer and the wireless keyboard when activating communications.

- 1 On the front of the keyboard, slide the Power button to On.
- 2 On the back of the keyboard, slide the Point Device button to On.
- 3 On the back of the keyboard, and the front panel of the computer, press the connect buttons within 10 seconds.
- 4 Test the keyboard and the pointing device to make sure both are functioning properly.

VAIO Remote Control

Setting Up the Remote Control

- 1 Start **MY TV, MY MUSIC, MY PICTURES, MY VIDEO** in Media Center. Press **STANDBY** to place your computer in Standby mode.
- 2 Control the playback for **TV, MUSIC, VIDEOS**, and ends a slide show. Buttons include: **STOP, PAUSE, FWD, SKIP, REPLAY, REW**, and **RECORD**. The right arrow button serves as a **PLAY** button.
- 3 Use the arrow buttons to move to a specific location, the **OK** button to make your selection, the **BACK** button to go to the previous screen, and the **MORE** button to view additional information.
- 4 Use the **START** button to open Media Center. Volume Controls (VOL) are on the left and **Channel (CH)** or **Page (PG)** on the right of the **START** button. A **MUTE** button is also provided to suppress sound.
Important Note: The VAIO remote control will NOT control the sound for your TV. You must use the remote control that you are currently using to control the sound for your TV.
- 5 Open the following screens **RECORDED TV, GUIDE, LIVE TV, DVD MENU**. (**DVD MENU** is available only when Media Center is active.)
- 6 Use these buttons to change channels and enter text or numbers in a specific location.



TV Preset for Europe

PreNo		Vendor					
PrePro No.	Input Code #	MCE(RC6) Default	Sony	Philips	Sumsung	Sharp	LG
-	01	●					
501	02		●				
515	03				●		●
518	04			●			
534	05				●		●
535	06					●	
556	07				●		●
557	08			●	●		
558	09			●			
570	10			●			
571	11			●	●		

Insert the Batteries

On the back of the remote control, remove the battery compartment cover and insert two (2) Sony Super Mangan Alkaline AA batteries (Supplied) oriented as shown in the battery compartment. Replace the battery compartment cover.

Note: When using the VAIO remote control, remember to point the remote at the VGX-XL100 personal computer, not at the TV or monitor.

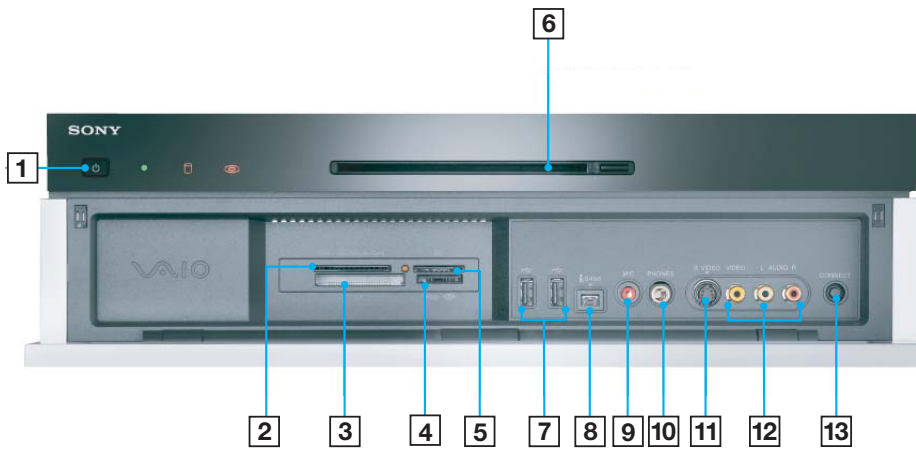
About the Keyboard and Remote Control Batteries

When replacing batteries, please use the "same" kind of new batteries from the same "manufacturer." Mixing new batteries and used batteries, and mixing different kinds of batteries (combination of manganese batteries and alkaline batteries, etc.) can cause "leaking and damage".

Help Hints

- Turn the POWER switch "OFF" if you will not be using the keyboard for a while. Also, please take the batteries out if you will not be using the keyboard for a long time.
- The capacity of the batteries in the keyboard can be checked using the battery indicator located on the LCD panel of the keyboard.
- Replace the batteries when they get low. If you leave the batteries in the device even when the batteries are dead, it may cause leaking.
- Replace with new batteries after cleaning the liquid when liquid leaks from the batteries.
- Use regular batteries. Re-chargeable batteries are not supported.
- Use alkaline batteries for the keyboard.

Computer Front Panel



- | | |
|---|--|
| 1 Power button | 8 i-Link (4 pin) |
| 2 SmartMedia (SM) xD-Picture Card | 9 Microphone |
| 3 Compactflash & Microdrive | 10 Headphone/Line-out volume |
| 4 Memory Stick Pro/Duo | 11 S-video |
| 5 Secure Digital (SD) & MultiMediaCard (MMC) | 12 Composite Audio/Video IN |
| 6 CD-RW/DVD combo drive | 13 Connect keyboard/pointing device |
| 7 USB 2.0 x2 | |

The Front Inputs and Outputs

Power Button

Press to turn on the power to this device. If you press this button during the operation of this device, it will enter a hibernation state and the power lamp will be turned off.

Power Lamp

The power lamp blinks green when the electric power to this device is turned on. The power lamp blinks orange when it is in Standby mode.

(Hard Disk) Access Lamp

The access lamp blinks orange when you read or write data by accessing the disc or hard disc.

WLAN (wireless Lan lamp)

The wireless LAN lamp turns green when the wireless LAN is ready to be used.

DVD+/-RW Drive (Double layer recording capable)

It will read data from DVD-ROM/DVD+R DL/DVD+R/DVD+RW/DVD-R/DVD-RW/CD-ROM/CD-R/CD-RW and write data to DVD+R DL/DVD+R/DVD+RW/DVD-R/DVD-RW/CD-R/CD-RW.

Eject button

Press when the disc is to be removed from the drive.

SmartMedia™ (SM) xD-Picture Card™ memory card reader

Reads and writes data from and to SmartMedia or xD-Picture Card media.

Memory card access Lamp

It blinks orange when you read or write data from a "Memory Stick", xD-Picture Card, Smart Media, Compact Flash, or SD memory card.

CompactFlash® & Microdrive™ memory card reader

Reads and writes data from and to CompactFlash and Microdrive media.

Memory Stick Pro/Duo™

Data from the "Memory Stick" is read and written.

Secure Digital (SD) & MultiMediaCard™ (MMC) memory card reader

Data from the SD memory card is read and written.

USB Connector (x2)

Connects to a device which supports the USB standard.

The USB 2.0 is the standard for USB (Universal Serial Bus). The connector supports the USB 2.0 standard and can also be connected to a device which supports the USB 1.1 standard.

i.LINK® S400 port IEEE 1394 connector (4 pin)

Connects to an i.LINK supported device.

Note: A digital high vision device can not be connected.

MIC (Microphone Connector)

Connection for a microphone (stereo supported).

Headphone

Connection for headphones.

S VIDEO (S video input)

Connection for an S Video cable.

Composite Audio/Video IN

Connection for an Audio/Video cables.

Connect Keyboard/Pointing Device

Use this button when activating the wireless keyboard/pointing device.

Using Memory Cards and Memory Card Readers

This section provides basic information about using your computer's installed memory card readers and includes the following information:

- About Your Memory Card Readers
- About Memory Stick Media
- Inserting a Memory Card
- Removing a Memory Card
- Sharing Memory Cards

About Your Memory Card Reader

Your VAIO computer is equipped with memory card readers that are compatible with many popular types of memory cards. You can use your computer's memory card readers to transfer data between digital cameras, camcorders, music players, and other audio/video devices.

Supported Memory Card Readers and Compatible Media

Smart Media™



xD-Picture Card™



Secure Digital (SD)



MultiMediaCard™



Compact Flash®



Microdrive™



Memory Stick Duo™



Memory Stick®



Memory Stick Pro™



About Memory Stick

Memory Stick[®] media are a compact, portable, and versatile data storage media designed for exchanging and sharing digital data with compatible devices. The following types of Memory Stick[®] media are available, but compatibility with your computer can vary.

- **MagicGate™ Memory Stick[®] Media** - Provides copyright protection with authentication and encryption, using Sony MagicGate technology. Authentication ensures that protected content is only transferred between compliant devices and media. Protected content can be recorded and transferred in an encrypted format that prevents unauthorized duplication or playback. You can store different data formats on a single Memory Stick media.
- **Memory Stick Pro™ media** - Provides MagicGate copyright protection and high-speed data transfer features when used with compatible Memory Stick PRO devices. VAIO computers support Memory Stick PRO media for data storage purposes only. High-speed data transfer and MagicGate technology features, such as authentication and encryption, may not be available. You can store different data formats on a single Memory Stick media.
- **Memory Stick Pro Duo™ media** - Provides the same features and benefits of Memory Stick PRO™ media, in a form that is 1/3 smaller in size.
- **Memory Stick[®] media** - Provides data storage only. The Memory Stick media does not provide MagicGate technology or high-speed data transfer. You can store different data formats on a single Memory Stick media.
- **Memory Stick Duo™ media** - Provides the same features and benefits of MagicGate™ Memory Stick media, in a form that is 1/3 smaller in size.

Compatibility between software programs and Memory Stick[®] media formats may vary. At this time, Sony suggests using only MagicGate Memory Stick media to store and transfer any data created with SonicStage™ software.

Visit the Sony online support Web site at <http://www.vaio-link.com> regularly for the latest information on Memory Stick[®] media.

Note: Memory Stick media do not support AVI file playback directly from the media. Copy the video file to your hard disk drive and then play back the file.

Inserting a Memory Card

The memory card reader(s) are located behind a protective cover on the front of the computer. To access the Memory Card Readers, flip the front cover down.

▶ To insert Memory Cards

- 1 From the front panel, locate the appropriate reader(s) for the memory card(s) you want to use.
- 2 Insert the memory card into the reader, in the direction indicated of the arrow on the media. Do not force the card into the reader.

Note: If the memory card does not go in easily, gently remove the card and verify you are entering the card in the proper direction.

▶ To Protect data on Memory Stick® Media

Some Memory Stick media are equipped with a write-protect tab*. The write protect tab prevents accidental changes to information recorded on your Memory Stick media. When you slide the write-protect tab to the **LOCK** position, your Memory Stick media is write-protected. You cannot delete, copy, or save information on the media while the write-protect tab in the **LOCK** position. When you slide the tab to the **un-LOCK** position, you can write to or modify your Memory Stick media's contents.

▶ Locking the Memory Stick

If your computer stops recognizing your Memory Stick® media, you may have removed the media from the Memory Stick drive before the data access process completed. If this occurs, follow these steps:

- 1 Remove the Memory Stick media from the slot.
- 2 Shut down your computer, closing any open software programs, and then turn your computer off.
- 3 Wait approximately 30 seconds, and then restart your computer.

Your computer recognizes the Memory Stick media, when you insert it into the Memory Stick slot again.

Removing a Memory Card

The correct way to remove a memory card from a memory card reader varies, depending upon the media, reader, or computer model. Use care when removing a memory card to avoid damage to the reader or card.

Note: Do not remove a media card while the media access indicator light is on. The card or its data may be damaged.

▶ **To remove a Memory Stick[®] media, Secure Digital (SD), MultiMediaCard[™], SmartMedia[™], or xD-Picture Card[™] media**

- 1 Press the extended part of the memory card, causing it to extend out from the reader's slot.
- 2 When the card extends, carefully remove it.

▶ **To remove a CompactFlash[®] media**

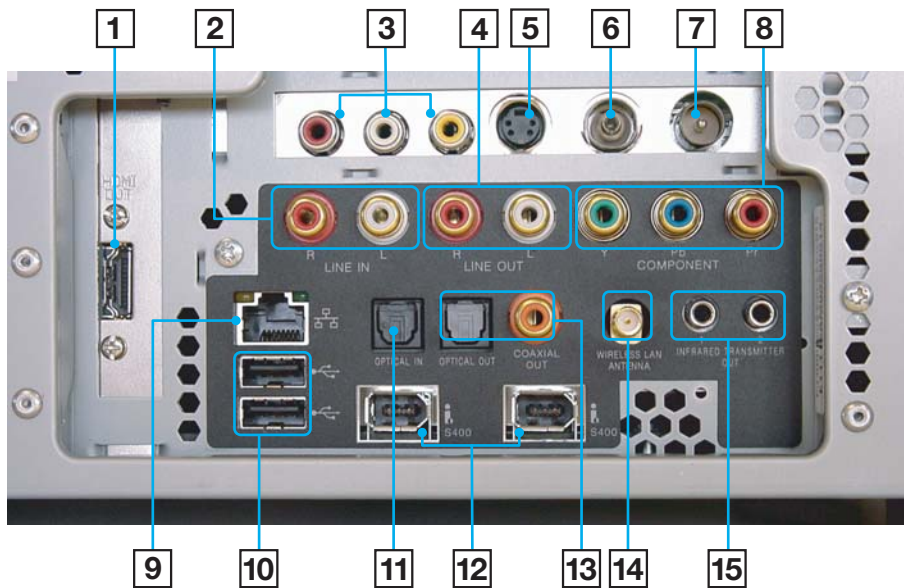
- 1 Firmly grasp the extended part of the memory card.
- 2 Pull to remove from the reader.

Sharing Memory Cards

If you plan to share your memory card between your VAIO computer and devices such as a digital camera or music player, the card must be formatted properly. Follow the steps below to format your memory card.

- 1 Format the memory card by using it in the device first. See the information supplied with the device for details how to format the memory card.
- 2 If your device does not recognize memory card that has been formatted by your computer, so the following:
 - Save the card's contents to your hard disk drive.
 - Reformat the memory card using the device, not your computer.

Computer Back Panel



- | | | | |
|---|---------------------|----|---|
| 1 | HDMI | 9 | Ethernet |
| 2 | Line IN (L/R) | 10 | USB |
| 3 | Audio/Video IN | 11 | Headphone/Line-out volume |
| 4 | Line OUT (L/R) | 12 | S-video |
| 5 | S-video IN | 13 | Optical S/PDIF OUT & coaxial S/PDIF OUT |
| 6 | Antenna/cable | 14 | Wireless LAN antenna |
| 7 | Antenna | 15 | Infrared transmitter OUT |
| 8 | Component Video OUT | | |

Back Inputs and Output.

Line IN (L/R)

Connection for an external device.

Audio/Video IN

Connection for an Audio/Video cable to bring signal to the VGX-XL100 computer.

S-Video IN

Connection for an S Video cable.

Antenna/Cable

Connection for cable provider or external antenna.

Line OUT (L/R)

Connection for an external device.

HDMI™

Connection for HDMI cable for high definition video and/or sound for TV.

Ethernet 10/100/1000baseT

Connection for a 10BASE-T/100BASE-TX Ethernet.

(The port marked with the Network symbol is for LAN connections only.)

USB 2.0 (x2)

Connects to a device which supports the USB standard.

The USB 2.0 standard is a new standard for USB (Universal Serial Bus). The connector supports the USB 2.0 standard and can also be connected to a device which supports the USB 1.1 standard.

Optical S/PDIF IN

Connection for Audio In.

i.LINK® (x2)

Your VAIO computer is equipped with a 4-pin (front panel) and a 6-pin (back panel) i.LINK® port. A 4-pin i.LINK port cannot supply power to a connected i.LINK device. A 6-pin i.LINK port can supply power (10V to 12V) to a connected i.LINK device, if the device is equipped with a 6-pin connector.

Optical S/PDIF OUT & Coaxial S/PDIF OUT

Connections for Audio Out.

Wireless LAN Antenna

Connection for Wireless LAN Antenna.

Infrared Transmitter OUT (x2)

Controls VCR, Setup box, and other devices in MCE.

Component Video OUT (480i, 480p, 1080i, 720p)

Connections for Video Out.

Power Cord

Connection for supplied power cord.

Display output support for HDCP

This device supports the HDCP (High-bandwidth Digital Content Protection) standard, which makes it possible to receive digital video signals that have been encrypted for the purpose of copy protection.

In this way it is possible to play output content that is required to have copy protection, and you can enjoy a wider variety of high definition content.

In order to play the copy protected content, it is necessary to connect a display that supports the HDCP standard. If a display that does not support the standard is connected, you will not be able to play or display the copy protected contents.

Copy protection

You can not use this device for recording of content for other than your personal enjoyment without the copyright holders permission under the copyright law.

It is necessary to obey the copyright law and permitted usage conditions for each copyrighted work and for making multiple copies of copyrighted works. It is prohibited to make copies or use, change, delete or make other revisions to or alter the integrity of captured video, images, or audio without the copyright owners permission.

Chapter 2: Setting Up Your VGX-XL100

Before You Begin

Before setting up your VGX-XL100 Living Room Entertainment Computer, consider the environment in which it will be placed. Listed below are some general guidelines.

- The maximum distance between the computer and the keyboard can be up to 10 m.
- Placing the keyboard near a metallic object may affect communication between the keyboard and the computer.
- Do not set up the VGX-XL100 in the following locations:
 - in direct sunlight
 - near a magnet or an item that generates a magnetic field
 - areas with high heat, such as near a heater
 - areas with excessive heat, dust, and humidity
 - areas with poor ventilation

Please observe the following items to avoid damage.

- Always turn off the power before the device is moved. Damage may be caused to the hard disk if the device is transferred or moved with the power on.
- Do not tip or hit this device. Even a small impact or vibration may cause some damage to your hard disk.
- Do not set up where it is not secure.
- Do not place an object over the ventilation holes.
- If the computer is placed in an enclosed entertainment cabinet, make sure there is sufficient airflow.

Step 1: Connecting your TV

HDMI™ Connector

If your TV has an HDMI™ connector, use the supplied HDMI™ cable and connect one end to your TV and the other end to the HDMI™ connector on the back panel of the computer.

DVI-D Connector

If your TV has a DVI-D connector, use the supplied HDMI cable and the HDMI™ to DVI-D adapter. Insert the adapter into the DVI-D TV/monitor. Then using the supplied HDMI™ cable, connect one end of the cable to the adapter and the other end to the HDMI™ connector on the back panel of the VGX-XL100 computer.

Component Connectors (Y, Pb, Pr)

If your TV has component connectors, use an RCA cable (not supplied) and connect one end to the corresponding outputs on your TV and on the back panel of the VGX-XL100 computer.

Additional Notes:

- If your TV has an HDMI™ connector and a DVI-D connector, Sony recommends using the HDMI™ connector.
- The HDMI cable carries both video and audio signals.
- You cannot use HDMI™ and Component connections at the same time.
- If a device driver other than the ones provided by Sony is used to update a device driver related to the video and audio, the image will not be displayed and the audio will not be heard. Always use the device driver provided by Sony for updates.
- You can connect the HDMI™ out to an A/V amp and audio will be heard through the AV amp and then another HDMI™ cable can be connected from the AV amp to the TV for the display.
- The VGX-XL100 computer cannot support 192kHz sampling rate sound on HDMI out connector. Please select less than 192kHz Rate on [HDMI] setting in "Advanced" tab of Sound Reality Control Panel.
- If your display does not support HDMI, or if you connect the VGX-XL100 to display via AV amplifier, then content protected source cannot be seen because some software does not support this kind of connections. It is

required that display can support HDMI and XL100 is connected to display directly."

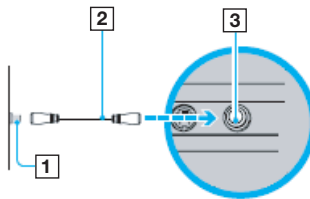
Additional TV Connections

Note: Your computer is supplied with certain video cables. Depending on your in home cable access, you may require extra cables, adapters or connection equipment not supplied with your computer.

Connecting to standard cable access (CATV)

Option 1

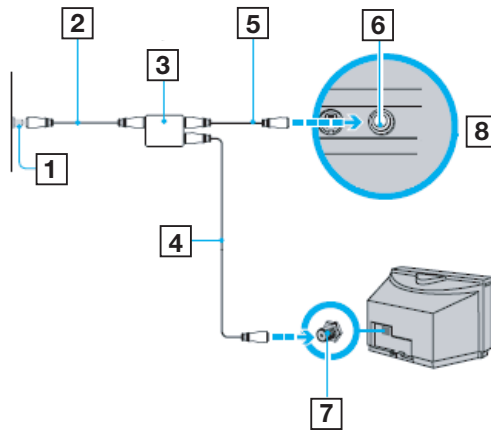
- 1 Connect one end of the TV coaxial cable (optional) to your cable service access.
- 2 Connect the other end of the TV coaxial cable to the VHF/UHF port on the back panel of your computer.



- 1 Cable service (wall outlet)
- 2 TV coaxial cable (optional)
- 3 VHF/UHF port

Option 2

- 1 Connect one end of a TV coaxial cable to your cable service access. Connect the other end to the single-connection side of a splitter adapter.
- 2 Connect a second TV coaxial cable (optional) to the double-connection side of the splitter adapter. Connect the other end to the VHF/UHF port on the back panel of your computer.
- 3 Connect a third TV coaxial cable (optional) to the double-connection side of the splitter adapter. Connect the other end to the VHF/UHF port on the back of your TV monitor or display.



- | | | | |
|---|-----------------------------|---|-----------------------------|
| 1 | Cable service (wall outlet) | 5 | TV coaxial cable (optional) |
| 2 | TV coaxial cable (optional) | 6 | VHF/UVF port |
| 3 | Splitter (optional) | 7 | VHF/UVF port |
| 4 | TV coaxial cable (optional) | 8 | VGX-XL1 computer |

Connecting to a standard antenna (air) system

You can connect your computer to an indoor/outdoor antenna system, using Option 1 or 2 from the previous section, “Connecting to standard cable access (CATV).” The antenna system in your home may require a VHF/UHF RF combiner/transformer (optional) to connect your computer and the indoor/outdoor antenna system.

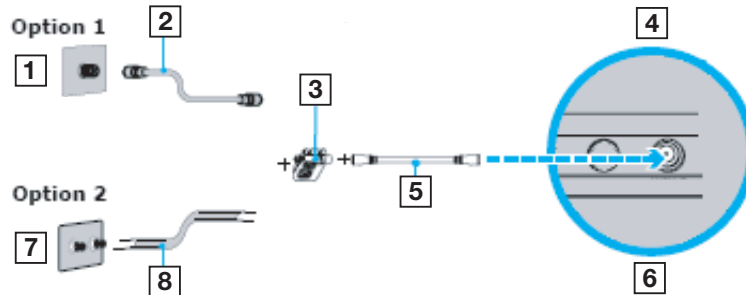
Option 1

- 1 Connect one end of a TV coaxial cable (optional) to your antenna outlet. Connect the other end to a VHF/UHF RF combiner/transformer (optional).
- 2 Connect a second TV coaxial cable (optional) from the combiner/transformer to the VHF/UHF port on the back panel of the VGX-XL100 Computer.

Option 2

- 1 Connect both ends of the antenna's twin lead cable to the screw-type grips on the combiner/transformer.
- 2 Connect the TV coaxial cable (optional) from the combiner/transformer to the VHF/UHF port on the back panel of your computer.

If you are connecting to an indoor/outdoor antenna system, you may need to re-orient the antenna for better reception.



- | | | | |
|---|--|---|---------------------------------------|
| 1 | Antenna system | 5 | TV coaxial cable (optional) |
| 2 | TV coaxial cable (optional) | 6 | VHF/UVF port |
| 3 | VHF/UHF RF combiner/
Transformer (optional) | 7 | Antenna system (air) |
| 4 | VGX-XL100 computer | 8 | 300-ohm Twin lead cable
(optional) |

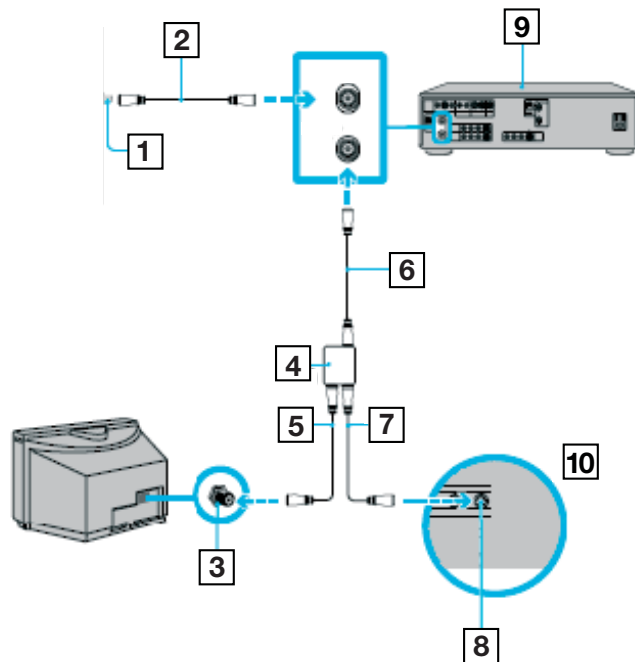
Connecting a Cable or Satellite Set-top Box

You can connect your computer to cable or satellite service that requires a set-top box.

Option 1

- 1 Connect one end of a TV coaxial cable (optional) to your cable service access. Connect the other end to the In jack on the back panel of your set-top box.
- 2 Connect a second TV coaxial cable (optional) to the Out jack on your set-top box. Connect the other end to the single-connection end of a splitter adapter (optional).

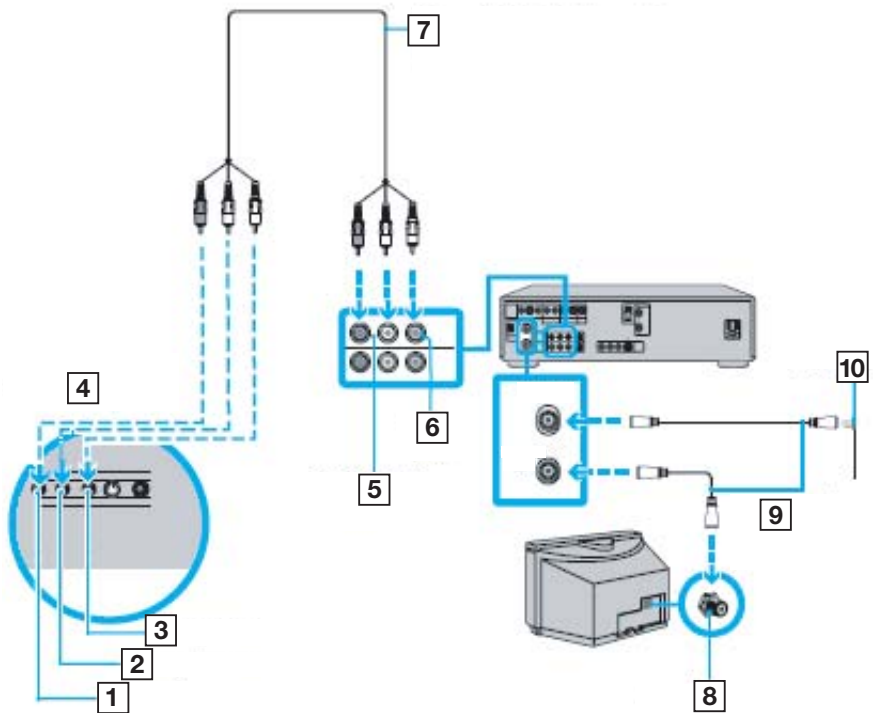
- 3** Connect a third TV coaxial cable (optional) to the double-connection end of the splitter adapter. Connect the other end to the VHF/UHF port on the back panel of your computer.
- 4** Connect a fourth TV coaxial cable (optional) to the double-connection end of the splitter adapter. Connect the other end to the VHF/UHF port on the rear of your TV monitor or display.



- | | | | |
|----------|-----------------------------|-----------|-----------------------------|
| 1 | Cable service (wall outlet) | 6 | TV coaxial cable (optional) |
| 2 | TV coaxial cable (optional) | 7 | TV coaxial cable (optional) |
| 3 | VHF/UVF port | 8 | VHF/UVF port |
| 4 | Splitter (optional) | 9 | Set-top-box (STB) |
| 5 | TV coaxial cable (optional) | 10 | VGX-XL100 computer |

Option 2

- 1** Connect one end of the TV coaxial cable (optional) to your cable service access. Connect the other end to the In jack on the back panel of your set-top box.
- 2** Connect a second TV coaxial cable (optional) to the Out jack on your set-top box. Connect the other end to the VHF/UHF port on the rear of your TV monitor or display.
- 3** Connect one end of a stereo A/V dubbing cable with triple RCA plugs (optional) to the Video-Out and Audio-OUT (L/R) jacks on the back panel of your set-top box, matching the plug and jack colors.
- 4** Connect the other ends of the stereo A/V dubbing cable into the Audio Input-L, Audio Input-R, and Video Input jacks on the back panel of your computer, matching the plug and jack colors.



- | | | | |
|---|----------------------|----|--------------------------------------|
| 1 | Composite audio R-in | 6 | Video OUT |
| 2 | Composite audio L-in | 7 | Stereo A/V dubbing cables (optional) |
| 3 | Composite video jack | 8 | VHF/UVF port |
| 4 | VGX-XL100 computer | 9 | TV coaxial cable (optional) |
| 5 | Audio OUT (L/R) | 10 | Cable service access |

Step 2: Connecting your Home Theater / Speakers

Two-channel sound system

If your sound system has two channels, use the LINE OUT (L) (R) on the back panel of the computer and the LINE IN composite audio connectors on your speakers/receiver.

More than two-channel sound system

If your sound system has more than two channels, use the supplied optical S/PDIF cable and connect one end to the S/PDIF OPTICAL OUT connector on the back panel of the computer and the other end to the OPTICAL IN connector on your sound system. You can also use a coaxial S/PDIF connection when connecting a multi-channel sound system.

Additional Notes

- An optical/coaxial connection will provide a higher quality output than a composite connection.

Configuring software for your speaker system

When using a multiple channel speaker system, certain software programs require setting changes to make certain you have proper audio performance.

Your computer's factory default settings for audio can be changed using the Media Center Settings feature. You can switch between 2-channel, 6-channel, or S/PDIF output modes.

▶ To change speaker settings, do the following:

This procedure will demonstrate how to set up 5.1 surround sound speakers. Your selections may differ depending on your type of speakers.

- 1 From the Media Center Start menu, select **Settings > General > Media Center Setup, Set Up Your Speakers**.

The Speaker Setup screen displays.

- 2 Select **Next**. The Choose number of speakers screen displays.
- 3 Select **5.1 surround speakers**. The Speaker Connection Type screen displays.
- 4 Select the appropriate connection type. Your selection depends on the type of cable used to connect your 5.1 surround sound speakers. Select **Single RCA (digital)** for coaxial S/PDIF or **Toslink (digital)** for optical S/PDIF and HDMI.
- 5 Select **Next**.
- 6 From the Test Your Speakers screen, select the **Test** button. The system will test your speakers for sound.
Important: Then select **I heard sound from all my speakers**, even if you did not hear sound from all your speakers. The You Are Done! screen displays.
- 7 Select **Finish**.
- 8 Return to the Media Center Start menu and select **Settings > DVD > Audio. InterVideo** opens and displays the Welcome to Audio Settings screen.

- 9 Select Configuration. The Speaker Configuration screen displays.
- 10 Verify that **Analog - 5.1 Channel** displays in the Set sound output to match your system text box. Select **Save** and close Media Center.

Note: Even if you are using a S/PDIF connection, **ALWAYS** choose **Analog - 5.1 Channel**. **DO NOT SELECT S/PDIF**.

- ▶ **To complete Speaker Setup, go to the Windows Control Panel.**
- 1 Open the Control Panel. Select Windows **Start > Control Panel**.
 - 2 From the Category view, select Sounds, Speech, and Audio Devices.
 - 3 From the Sounds, Speech, and Audio Devices screen, select **Sound Reality Audio** from the Pick a Control Panel icon section. The Sound Reality Control panel displays.
 - 4 Select the **Advanced** tab.

From the S/PDIF group box:

- Check the **Enable Dolby Digital Live** check box.
- Verify that **AC3** is the option selected for **Format**.
- Verify that **Enable Digital Output** is checked in the S/PDIF group box.

Note: If you are using an HDMI connection through a TV or an amplifier that supports 5.1 sound, do the following:

- check **Enable HDMI Output**
- select **AC3** for the format
- check **Enable Digital Output**

- 5 Close the Sound Reality Control Panel and the Windows Control Panel.

Your 5.1 Surround Sound Speaker Setup is complete.

Speaker Setup Notes

- After the 5.1 channel sound is setup, sound will not be outputted through the HDMI connection. To enable HDMI sound, uncheck the **Enable Dolby Digital Live** check box and check/select the **Enable HDMI Output** check box located on the Sound Reality Control Panel, Advanced tab. This will disable the 5.1 channel sound output.
- Dolby Digital 5.1 must be selected for the audio output of the DVD from the DVD menu.

Note: The VGX-XL100 does not support dts sound decoding.

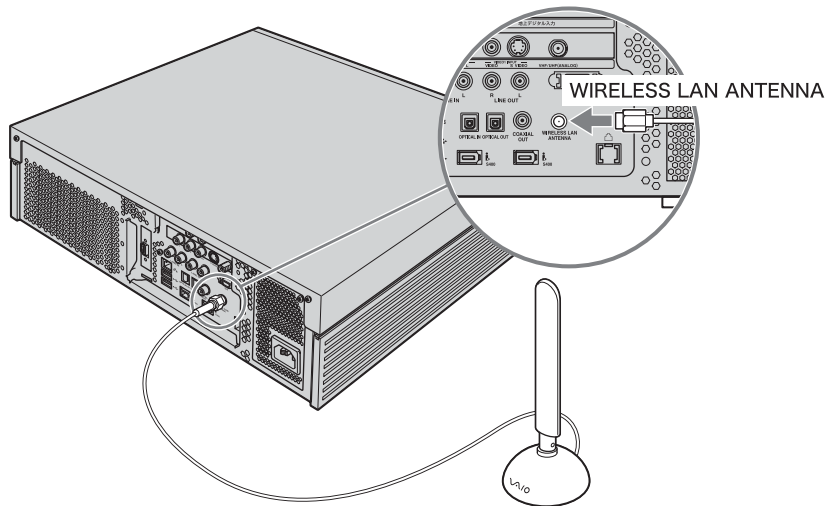
Step 3: Connecting to the Internet

Wired Network

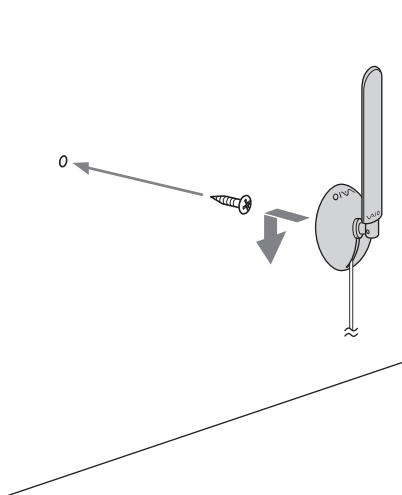
Use an RJ-45 connector cable. Connect one end to the Ethernet connector on the computer and the other end to your cable or modem.

Wireless Network

Connect the WLAN antenna (included) to the connector on the back panel of the VGX-XL100 computer.



For better reception, if needed, you may mount the wireless LAN antenna to a wall using the included screws.



Launch the Marvel Client Utility Application. Select **Station** as the operation mode. Then proceed to Windows Wireless Zero Configuration service to set up your connection with your preferred Access Point.

For additional information about setting up a wireless LAN, go to Appendix A.

Step 4: Turning Power On

Make sure all hardware is connected and that power cables are plugged into properly grounded electrical outlets.

▶ **Turn on the power to the computer, TV, and speakers.**

Activate Wireless Keyboard Communication

- 1 From the front of the keyboard, slide the **Power** button to **On**.
- 2 From the back of the keyboard, slide the **Pointing Device** button to **On**.
- 3 From the back of the keyboard, and the front panel of the computer, **press the Connect buttons simultaneously** and hold for a few seconds.
- 4 Test the keyboard to make sure it is functioning properly.

Step 5: Software Setup

Microsoft Windows operating system setup

The first time you start your computer you will be presented with a series of screens for Windows XP Setup. Please follow the on-screen instructions.

Note: For information concerning Firewall, Automatic Updates, Virus Protection, and other security related features of Microsoft Windows XP, see the Windows Help file.

Software Setup Notes

- If Media Center automatically opens, and you need to adjust your picture quality, minimize Media Center and go to Step 6: Resolution Setup. When complete return to Media Center.
- Make sure your Internet connection is working properly.
- **Media Center Setup:** The first time Media Center starts, you will be presented with a series of screens that will guide you through Media Center Setup. Please follow all on-screen instructions.
- **Media Center Wireless Network:** If you have an existing wireless network, and you wish to add your computer to the network, start Media Center and from Settings, go to General > Media Center Setup > Join Wireless Network. Then follow all on-screen instructions.

Step 6: Resolution Setup

▶ **To set the resolution for your TV or monitor, do the following:**

- 1 Using the pointing device on your wireless keyboard, right click anywhere on the Windows desktop.
- 2 From the menu, point to or click **NVIDIA® Display**. A new menu option opens. The menu option name depends on what TV or monitor is connected to the computer.
- 3 Click the new menu command. The following screen displays.
- 4 From the Directory list, click **nView Display Settings**, if necessary.
- 5 Click the **Device Settings** button.
- 6 From the side menu, click **TV Format** and select the appropriate option for your TV from the list.
- 7 Continue with **Media Center Setup**.

10 Feet User Interface

This application provides simple, dynamic tools to expand the capabilities of Internet Explorer to make your web experience more productive.

With Internet Explorer

When Internet Explorer is launched, the Liquid Surf toolbar is loaded into the Internet Explorer toolbar area at the top of the window. Liquid Surf includes a Magnification tool for resizing web content from 75% to 250%, a View tool that changes the Internet Explorer window to any one of three options: Full View, Extended View, or Split View, and an option menu with links to the Help File, online Updates, and online Technical Support.

See the Liquid Surf online help, for more info

With Windows MCE

You can also browse the web using your VAIO remote control.

Click **More Programs** and click the **Internet Explorer** icon to start the application.

There are 3 navigation modes available: Navigation, Mouse Pointer and Scroll that you can operate with the following buttons on your remote control.

- 1 Navigation

- **Arrow** buttons: to navigate links
- **OK** button: to jump to the selected link
- **CH +/-** buttons: to change navigation mode
- **More** button: to display the toolbar

2 Mouse Pointer

- **Arrow** buttons: to move the mouse pointer
- **OK** button: to left-click
- **CH +/-** buttons: to change navigation mode
- **More** button: to display the toolbar

3 Scroll

- **UP & DOWN Arrow** buttons: to scroll the web page
- **CH +/-** buttons: to change navigation mode
- **More** button: to display the toolbar

To control the toolbar

- **Arrow** buttons: to select a function
- **OK** button: to execute the selected function
- **More** button: to return to the selected Navigation mode

Setting Up a Local Area Network

For detailed information on setting up your Wireless LAN, see Appendix A, “Setting up a Wireless LAN.”

Wired Network

Use an RJ-45 connector cable. Connect one end to the Ethernet connector on your computer and the other end to your cable or your modem.

Wireless Network

Wireless LAN removes all of the trouble of cable connections and helps to build a wireless LAN (Local Area Network) environment. This device is equipped with a 2.4 GHz wireless LAN (IEEE802.11b/g compliant).

Turning the Power Off

Please follow the following procedure when turning the power off to the computer.

- 1 Select the Windows **Start** button.
- 2 Select **Turn Off Computer** and then from the Turn Off Computer screen, select **Turn Off**.

In a short time the power to the computer goes off automatically and the power lamp goes off.

Note: If the power does not turn off by this procedure, you can turn the power off by holding down the Power button on the VGX-XL100 computer for more than four (4) seconds. **WARNING:** Any changes that have not been saved will be lost.

Wireless LAN Antenna Setup Notes

If you put objects (especially, metal or wet objects) around this antenna, it makes hard to send radio waves. Please do not put objects too close to the antenna..

If you put objects (especially, metal or wet objects) between this antenna and the other party, radio wave becomes hard to reach. Please put this antenna on high position as much as possible, with avoiding obstacles between antennas.

If you set antenna to wrong direction, radio wave becomes hard to reach. In such a case, you can change antenna direction as much as you can do it smoothly by finger.

Power Saving Functions

The VGX-XL100 personal computer offers two power-saving function modes, Standby and Hibernation, which are used to reduce power consumption when not in use.

The table below list the characteristics of each function:

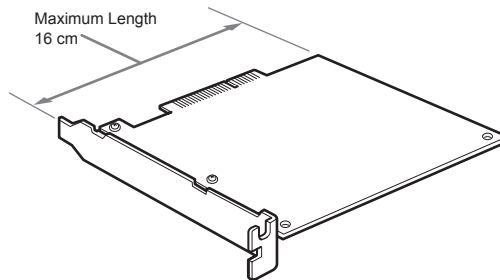
Standby Mode	
Power Lamp	Blinks in orange.
State	Reduces power consumption because it turns off the components other than the minimum components necessary while maintaining the current working status.
Enter Standby Mode	<ul style="list-style-type: none"> • Press the Power/Standby key on the keyboard. • Click Standby in the Turn Off Computer screen, which displays when selecting Start > Turn Off Computer. • Press the Standby button on the remote control.
Return to normal operation	<ul style="list-style-type: none"> • Either press the Space key or the Power/Standby key on the keyboard, or press the power button on the front of this device. • Press the Standby button on the remote control.
Hibernation State	
Power Lamp	Power lamp is off.
State	Main power is turned off and the fan for the internal main power section is paused. Saves the current working status to the hard disk and turns off the power for this device.
Enter Standby Mode	<ul style="list-style-type: none"> • Press the power button on the front of this device. • Click Hibernate in the Turn Off Computer screen, which displays when selecting Start > Turn Off Computer.
Return to normal operation	<ul style="list-style-type: none"> • Press the Power button on the front of this device. • Press the Power/Standby key on the keyboard. <p>Note: This device will not return to normal operation by remote control when in hibernation.</p>

Chapter 3: Hardware Upgrades & Maintenance

Adding PCI/Add-on Card

A PCI standard based expansion card can be installed in this device. Check if the expansion card supports Windows XP and the PCI standard before purchasing the card. There is an open slot (place for an upgrade expansion card) to install one PCI expansion card in this device.

The maximum length of the expansion card to be installed in the computer is 16 cm.



Safety Information

Please read the following safety information before installing a PCI Card.

- Do not touch the electronic components on the circuit board of this device. They are susceptible to pressure and static, which may cause a failure.
- Do not directly touch the parts on the expansion card. This may cause a failure due to static from the body. Discharge the static from your body by touching something metallic before touching the expansion card.
- Do not leave the expansion card on a surface that easily produces static electricity such as carpet. The part of expansion card may be damaged due to the effects of static electricity.
- Do not touch the connection pads directly.
- There are delicate electronic components on the expansion card. Do not drop or allow a strong impact to the expansion card.

- Always follow the user's manual for this device when removing the expansion card. Forcefully removing the expansion card may cause failure of this device.
- Do not get the expansion card wet.

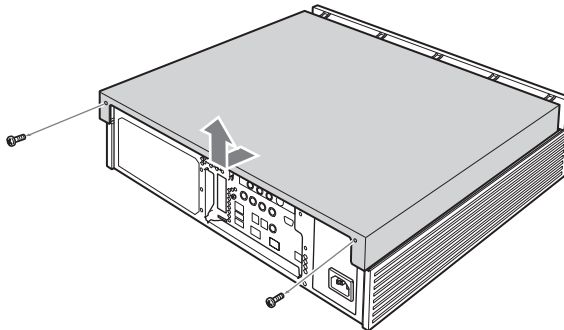
Warning: The entire repair cost will be charged if there is a failure or accident when installing an expansion card by yourself.

Installing a PCI Card

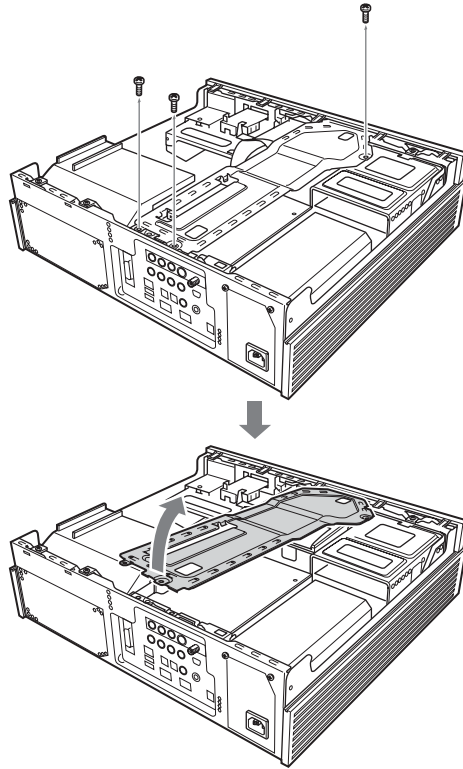
- 1 Turn off the power to this device and any peripheral devices, and remove the power cord and all cables connecting peripheral devices.

Wait about one hour after turning off the power to this device. The inside of this device may be hot right after the power is turned off and may cause burns.

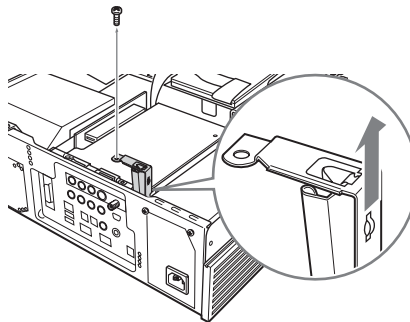
- 2 Remove the upper cover. Then remove the screws at the rear of the unit and slide the cover off.



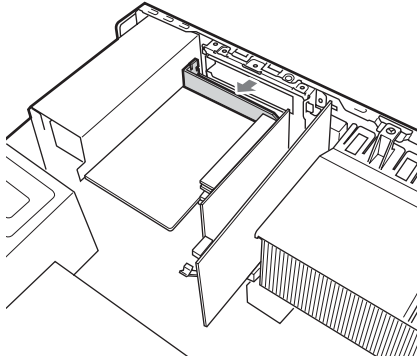
- 3** Remove the inside support panel. Remove the screws from the inside support panel and remove the panel.



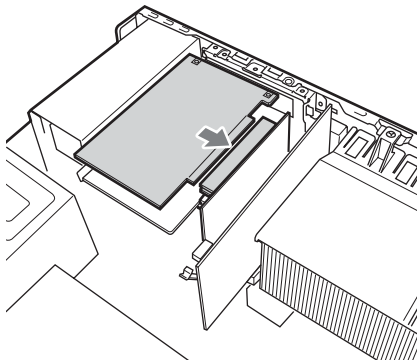
- 4** Remove the clip. Remove the screw and remove the clip by pulling up.



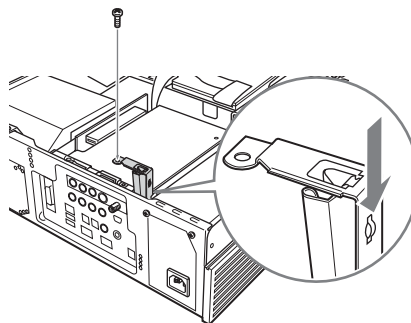
- 5 Remove the slot cover from the inside of this device. Be careful not to damage the circuit board and cables inside.



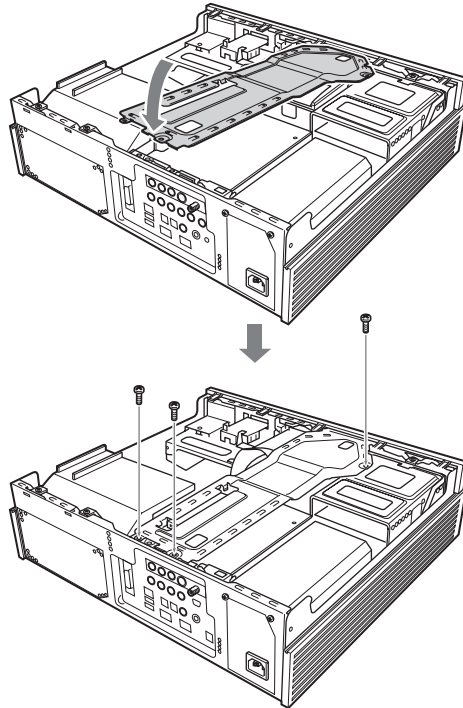
- 6 Install the PCI card in the open slot. Refer to the card's user's manual for details. **Warning:** Touching other parts when installing the expansion card may cause a failure.



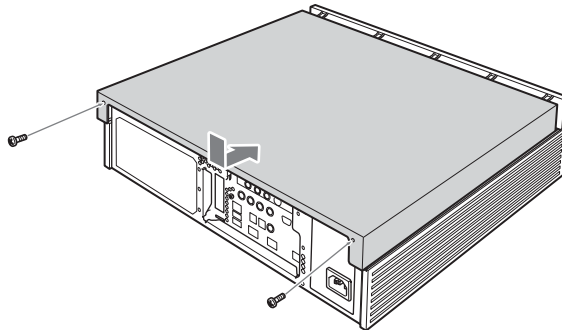
- 7 Install the clip. Insert the clip and tighten the screw.



- 8** Install the inside support panel. Insert the inside support panel and tighten the screws.



- 9** Install the cover and tighten the screws at the back of the unit.



Note: Make sure all foreign objects have been removed before replacing the cover.

- 10** Connect the power cord and the peripheral devices that were removed in Step 1 and turn on the power.

- 11 Follow the directions on the screen and in the PCI expansion card user's manual once the message "Windows has found new hardware and is installing the software for it." displays after starting Windows.

Note: A driver is software that is necessary to properly operate the peripheral device, notifying the computer of what type of peripheral device is connected in what way. A driver may need to be installed if an expansion card is upgraded.

To remove the expansion card

If it becomes necessary to remove the PCI expansion card, reverse the installation procedures to remove the card. Turn off the power to the computer, any peripheral devices, and remove the power cord and all cables connecting peripheral devices before removing the expansion card.

Adding Memory

Memory can be upgraded using the expansion memory slot inside this device. Upgrading memory increases the data processing speed and allows faster response time when running multiple programs at the same time.

There are 4 slots available in this device to install memory modules and it can be upgraded to a total of 2 GB. Upgrade the memory by installing memory modules sold separately.

Safety Information

Please read the following safety information before installing a memory modules.

- Please be careful not to get cut by the parts or the circuit board inside this device when installing the memory.
- Be careful not to catch your fingers on the cables inside this device and remove or dislodge the cable when installing the memory.
- Turning the power on with a foreign object (metal, such as a screw) left inside the device at the time of upgrading the memory may cause damage. Always remove any foreign objects and replace the cover before turning the power on.
- Don't touch the electronic components on the circuit board of this device. They are susceptible to pressure and static, which may cause a failure.

- Wait about one hour after turning off the power. The inside of this device may be hot right after the power is turned off and may cause burns.

Please be careful when upgrading memory. Mishandling when installing and removing can cause a failure of this device. You are encouraged to request the installation be done by a dealer or professional.

If you upgrade the memory by yourself and forget to close the inside connector, insert the memory backward, or not completely seat the memory, a failure or damage may result. Repair costs in these and similar situations will be charged to the owner.

Contact customer support for questions about upgrading the memory. The Sony repair centers provide a service for charge for those who can't install the memory by themselves and for people who purchased or plan to purchase Sony memory.

Sony Supported Memory Types

The following Sony memory modules can be installed in this device:

Capacity	Speed	Memory Module
512 MB	DDR2 533 (PC2-4200)	VGP-MM512J

Important Note: Always use DDR2 533 SDRAM DIMM VGP-MM512J.

Memory Capacity After an Upgrade.

Using Standard Memory: DDR2 533(PC2-4200)

	Standard	Upgrade
Capacity	Bank 0	Bank 1
Standard (1024MB)	512MB x 2 DDR2 533	
1536MB	256MB x 2 DDR2 533	512MB x 2 DDR2 533

Removing Standard Memory and upgrading to 512MB x 4

	Standard	Upgrade	
Capacity	Bank 0	Bank 1	Speed
2048MB	512MB x 2 DDR2 533	512MB x 2 DDR2 533	8528MB/sec Dual Channel

Note: Dual channel is a technology that doubles the memory bandwidth capability to transfer 128 bits using two 64-bit wide channels for the DDR memory interface. A total 128-bit wide dual channel DDR memory interface is achieved by loading identical pairs of two DDR memory modules with the same speed and the same capacity.

Precautions when selecting memory modules.

- There are various types of memory modules. Make sure that the products purchased at a store have a written warranty for the device when installing.
- Sony do not provide support for memory module purchased at stores. Consult with the dealer where you purchased the memory module with questions.

Install Notes:

Observe the following when installing a memory module in order to not damage the memory module with static.

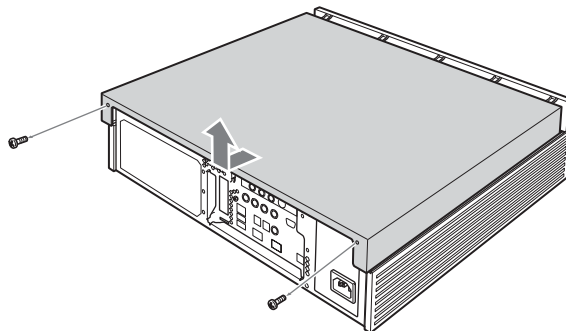
- Do not work in a location where static builds up (such as on the carpet) when upgrading the memory.
- Touch the metal in this device to discharge the static in your body first and then proceed with the work.
- The memory module comes in a static protection bag. Do not take the memory module out from the bag until right before installing.
- Do not touch the semiconductor chip or the connectors when you hold the memory module.
- Cover the memory module with a static protection bag or aluminum foil to store.

Please be careful of the following when upgrading the memory as the memory slots for this device are separated into two banks.

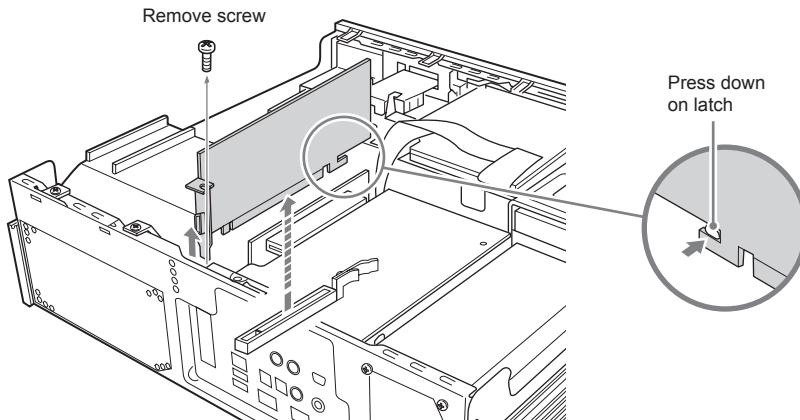
- There are two banks and four slots (two in each bank) available to install memory modules in this device. Each slot can hold a 512 MB memory module.
- Install memory modules of the same type, name, speed, and capacity in both slots in the same bank.
- Always install from bank 0 when installing memory modules.
- Also, refer to the memory module user's manual when installing.
- The memory modules have a proper direction.
- Properly match the notch area on the edge of the memory module connector and the projections (inside the connector) in the slot.
- Please be careful not to forcefully insert the memory module in the slot in the opposite direction which can cause damage to the memory module and the slot or loosen it from the circuit board.

Install and remove memory modules

- 1 Turn off the power to this device and all peripheral devices, and remove the power cord and all cables connecting peripheral devices. Some inside components may be hot. Wait approximately one hour before proceeding to work.
- 2 Remove the upper cover. Remove the screws at the rear and slide the cover off.



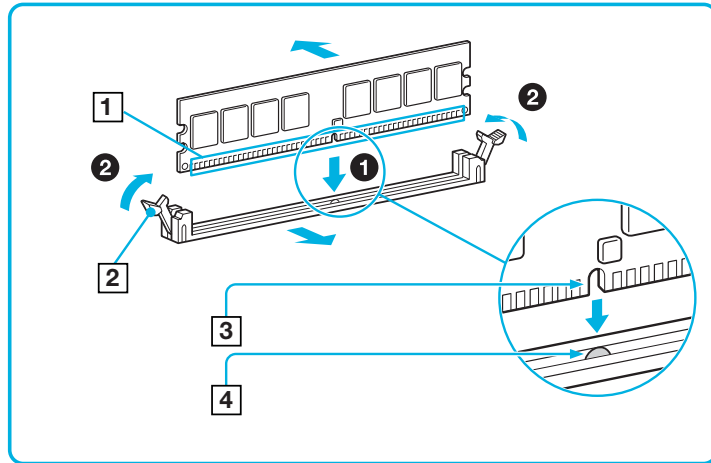
- 3** Remove the graphic card. Remove the cable and screw first and remove the graphic card while pressing the latch.



- 4** Touch metal to discharge any static buildup in your body and then remove the memory module from of the package.

- 5** Carefully install the memory module. (Please refer to the Install Notes listed above.) If you have any problems please contact your Sony Technical Support Representative. See VAIO Support Central.

- Match the memory module to the slot by paying attention to the direction of the notch as shown in the illustration below.
- Insert the memory module in the slot vertically until the clips come up and secure it.
- Install two memory modules as one set. There is no guarantee that it will work if only one memory module is installed. Also, use two memory modules of the same model name and same capacity and install them in the same bank.
- Please be careful not to catch your finger on the cables inside this device and remove the cable when installing the memory.
- The harness connector may be raised when installing the memory. Check by pressing the harness connector to make sure there is no gap.
- Please be careful not to get cut on the parts or the circuit board inside this device when installing the memory.

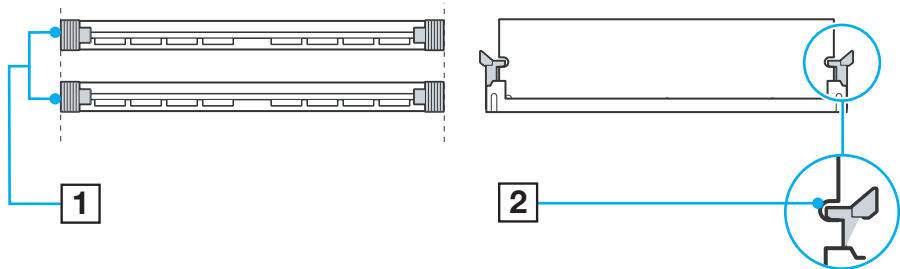


- 1 Connectors go down
- 2 Locking cap
- 3 Align the memory module notch as shown
- 4 Make sure the locking caps are back and the notch is aligned.
Press down the memory module until the locking caps pop up.
Press in to secure
- 5 Use both hands to place the memory module

6 Make sure that the memory module is installed properly.

Check the following after installing the memory module:

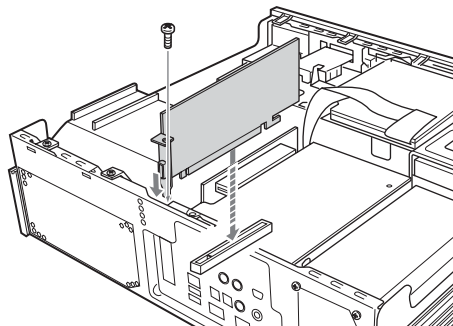
- The clips on both sides are aligned with each other.
- The clips on both sides fit into the notches of the memory module properly.



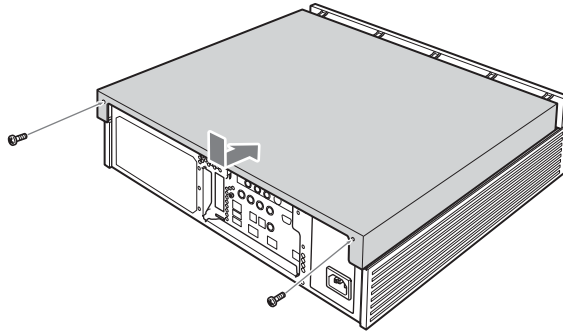
1 Align clips on both sides of memory module

2 Clips on both sides must fit into the notches on the memory module.

7 Install the graphics card. Install the graphics card, connect the cable and tighten the screw.



- 8 Install the upper cover. Install the cover and tighten the screws on the back.

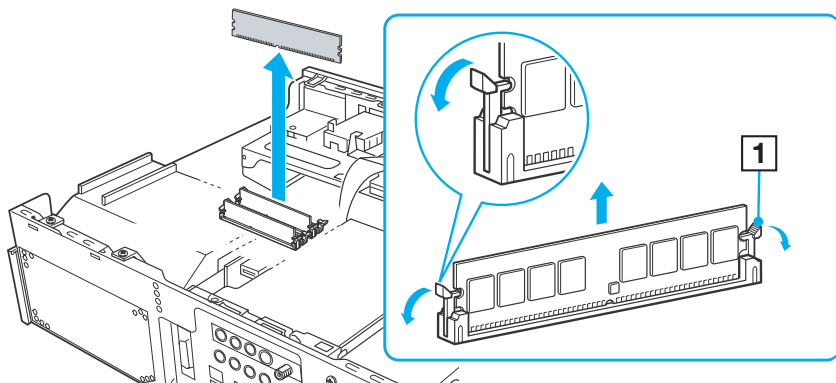


- 9 Connect the power cord and the peripheral devices that were removed in Step 1 and turn on the power to this device.
- 10 Click the **Start** button and then point to **All Programs, VAIO System Information** and then click **VAIO System Information**.

Make sure that **System Memory** displays the correct memory capacity. If the memory capacity is correct, memory installation is complete. If the memory capacity has not increased, remove the memory module after turning off the power to this device, and repeat the procedure to properly install the memory module again.

Remove Memory Module

Discharge static in your body by touching the metal inside this device, and then press out and down on the clips on both of the memory slots. Carefully lift the memory module out of the slot.



1 Press out and down

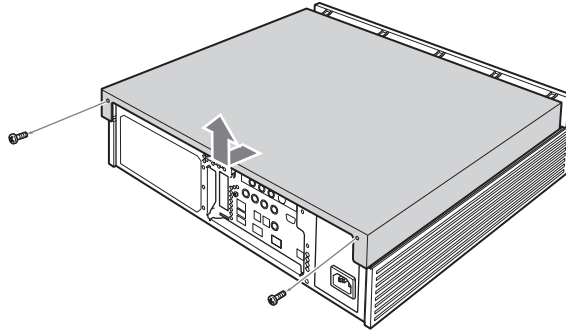
Add a Hard Disk

A total of 3 serial ATA hard disks (the pre-installed hard disk plus two additional) can be installed in the hard disk drive bay inside this device. Please read the following information before adding additional hard disks.

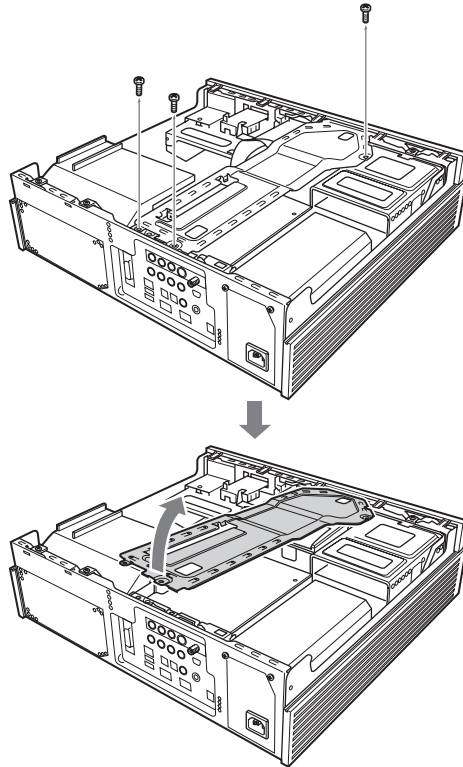
- All of the repair cost may be charged if a failure or accident happens when installing the hard disk by yourself.
- Be careful when upgrading hard disks. Mishandling when installing and removing can cause a failure or damage to this device.
- Contact your VAIO Technical Support Representative for questions regarding upgrading the hard disk.
- Be careful not to catch a finger in the cable inside this device and remove the cable when installing the hard disk.
- Please be careful not to get cut by the parts or the circuit board inside this device when installing the hard disk.
- Turning the power on with a foreign object (metal, such as a screw) left inside the device at the time of upgrading the hard disk may cause damage. Always remove any foreign objects and replace the cover before turning the power on.
- Don't touch the electronic components on the circuit board of this device. They are susceptible to pressure and static, which may cause a failure.
- The size of the drive bay is 3.5 inches.
- This device may not operate depending on the hard disk used to upgrade. Contact the manufacturer of the device for more detailed information when upgrading.
- There may be a limit on downloading video from i.LINK support devices depending on the hard disk used to upgrade.
- Always install or remove a hard disk after pulling the power cord of this device or the peripheral device from the power outlet. Installing or removing the hard disk with the power cord still plugged in may cause damage to the hard disk, this device, or a peripheral device.
- The inside of this device may be hot right after the power is turned off and may cause burns. Please wait to work until the device has cooled off.
- The drive number for the upgraded hard disk may vary depending on the environment you use ("Local disk (E:)" or "Local disk (F:)" may be displayed). Also, please note that the drive number for the upgraded hard disk may change when recovering this device.
- Recorded video is saved to the C: drive, by default.

To Add / Upgrade a Hard Disk

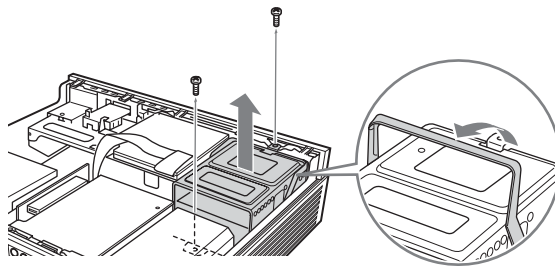
- 1 Turn off the power to this device and all peripheral devices, and remove the power cord and all cables connecting peripheral devices. Some inside components may be hot. Wait approximately one hour before proceeding to work.
- 2 Remove the upper cover. Remove the screws in the rear and slide the cover off.



- 3 Remove the inside panel. Remove the screws from the inside panel and remove the panel.

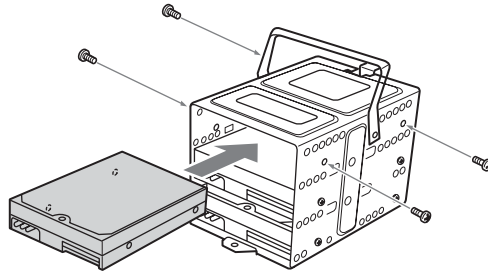


- 4 Remove the hard disk bay. Remove the cables connected to the hard disk installed at the time of purchase and remove the hard disk drive bay.



Note: Touching other parts can cause a failure when installing the hard disk drive bay. Be careful not to drop the screws inside this device when unscrewing.

- 5 Install the hard disk upgrade in the hard disk drive bay. Secure the hard disk upgrade in the hard disk drive bay with the screws. Install in the lower bay when there is an open space in the lower bay.

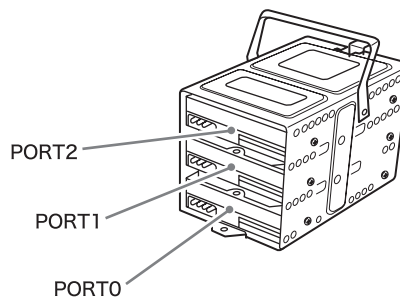


- 6 Connect the cables to both of the hard disks, the one installed at the time of purchasing and the upgraded hard disk.

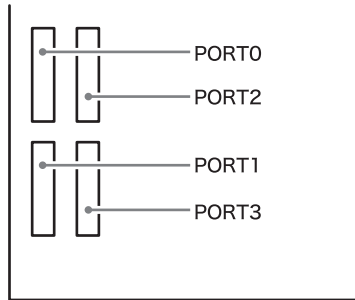
Always install the serial ATA power cable and the serial ATA cable. In the meantime, connect the serial ATA cable between the PORT (Serial ATA) connector on the circuit board inside this device and the hard disk according to the following list:

Main Unit Expansion Connector Designation	Hard Disk to Connect
PORT 0 (Port 0)	Hard disk in the lower drive bay
PORT 1 (Port 1)	Hard disk in the middle drive bay
PORT 2 (Port 2)	Hard disk in the upper drive bay

Below is the install location of the hard disk and the corresponding PORT (Serial ATA) connector

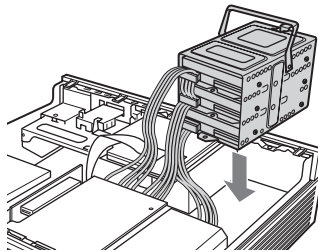


Below is the location of the main unit expansion connector.



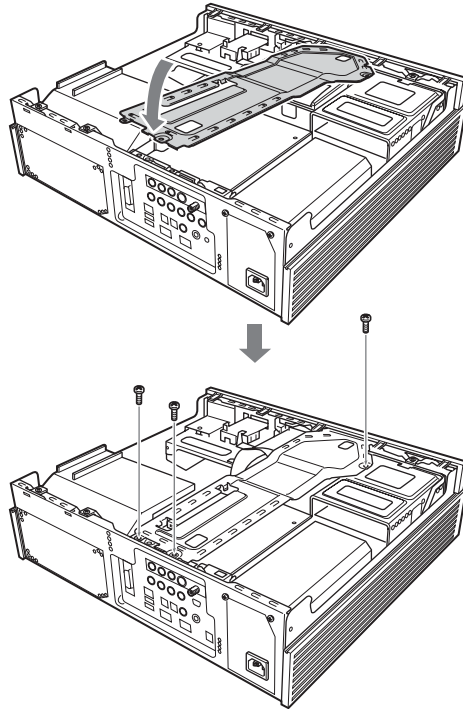
Cables may be pulled out to open/close the cover if serial ATA cables with a straight connectors are used. However, the use of serial ATA cables with a L shaped connector areas is recommended.

- 7 Install the hard disk drive bay in the original location.

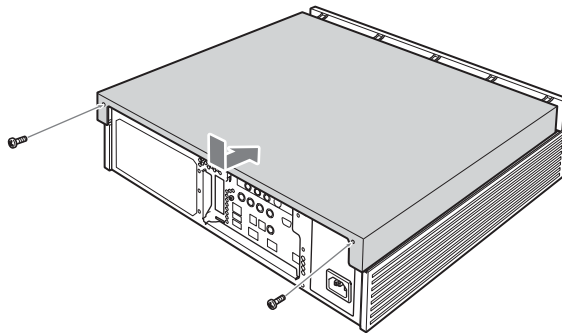


Note: Touching other parts when installing the hard disk drive bay can cause damage.

- 8** Install the inside panel. Insert the inside panel and tighten the screws.



- 9** Install the upper cover. Install the cover and tighten the screws on the back.



- 10** Connect the power cord and the peripheral devices that were removed in Step 1 and turn on the power to this device.

Remove a Hard Disk

Remove a hard disk by doing the reverse of the installation procedures. Turn off the power to this device and any peripheral devices and remove the power cord and all cables connecting to peripheral devices before removing the hard disk.

Using the upgraded hard disk

Login with administrator privileges and follow the procedures below for "Creating the partition", "Setting the partition type", and "Formatting the partition". The upgraded hard disk is created as an extended partition and this device may not operate properly without NTFS formatting.

- 1 Turn the power on and log in with Administrator privileges.
- 2 Click Windows **Start**, then **Control Panel**.
- 3 From the Category View, click **Performance and Maintenance** and then click the Control Panel icon **Administrative Tools**.
- 4 Double-click the **Computer Management** shortcut icon to display the Computer Management properties box.
- 5 Click **Disk Management** located in the Computer Management directory tree.
The status of partitions displays in the right side of the window. A new hard disk or a hard disk that has not been used will display a Status of **Not Assigned**.
- 6 Right click on the upgraded hard disk, **Disk "x"** (where x equals 1 or 2) and select **Initialize Disk**.
- 7 Make sure the disk selected in Step 6 is checked and click **OK**.

Note: The above procedure may not be necessary depending on the hard disk to be upgraded.

- 8 Right click on the **Not Assigned** area and click **New Partition**. The **New Partition Wizard** screen displays.
- 9 Click **Next**. The **Select Partition Type** screen displays.
- 10 Select **Extended Partition** and click **Next**. The **Specify Partition Size** screen is displays.

Note: Always select **Extended Partition** when creating a partition. Failure in the software operation happens if the **Primary Partition** is selected.

- 11 Enter the size of the partition you want to create in the **Partition Size** field and click **Next**. The Partition Creation **Completion** screen is displays.
- 12 Click **Complete**. The Partition Creation **Completion** screen closes and the hard disk display now shows the partition has changed from **Not Assigned** to **Open Space**.
- 13 Right click on the Open Space area and click **Create New Logical Drive**. The **Create New Partition** screen displays.
- 14 Click **Next**. The **Select Partition Type** screen is displays.
- 15 Select the **Logic Drive** and click **Next**. The Specify Partition Size screen is displays.
- 16 Enter the size of the partition you want to create in the **Partition Size** field and click **Next**. The **Assign Drive Letter or Path** screen is displays.
- 17 Select **Assign a Drive Letter** and click **Next**. The **Partition Format** screen displays.
- 18 Set the options in **Format** as follows:
 - File system to use: **NTFS**
 - Allocation size: **Default**
 - Volume label: **Volume**
- 19 When complete, click **Next**. The New Partition **Completion** screen is displays.
Click **Complete**.

Appendix A: Wireless Local Area Network

Overview

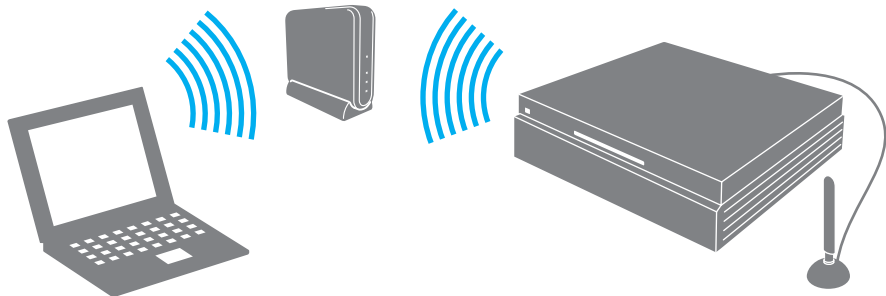
The Wireless LAN removes all of the trouble of cable connections and helps to build a wireless LAN (Local Area Network) environment.

This device is equipped with a 2.4 GHz wireless LAN (IEEE802.11b/g compliant). IEEE802.11g is capable of higher speed communication than IEEE802.11b.

Note: 5 GHz wireless LAN (IEEE80.11a) technology and 2.4 GHz wireless LAN (IEEE8022.11b/g) technology do not work together due to different frequencies.

There are two types of wireless LAN connection topologies:

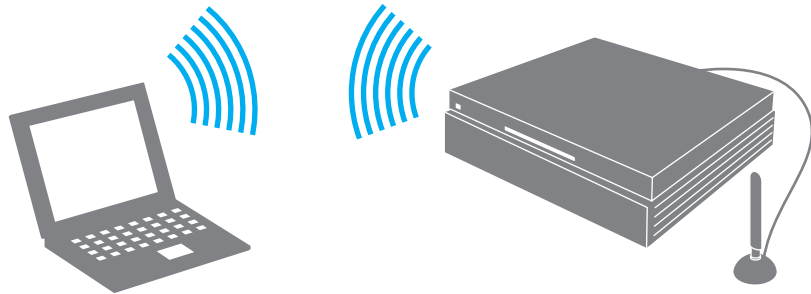
- **Infrastructure mode** which has a network structure based on a wireless LAN access point. The VGX-XL100 personal computer can act as an access point for a LAN setup. when Infrastructure mode is used, you can



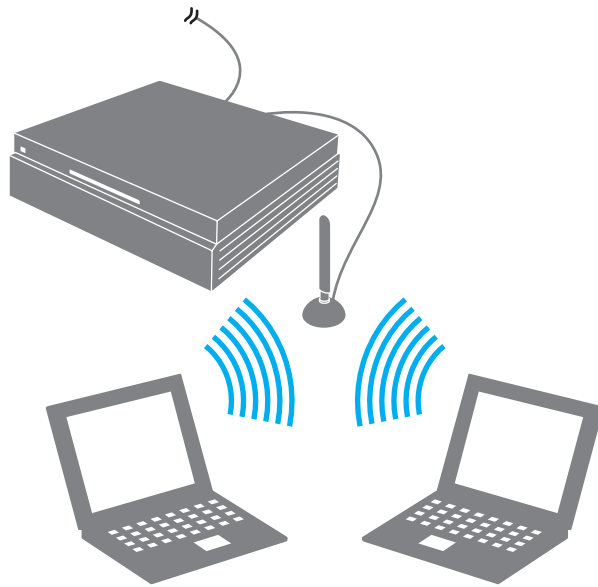
enjoy the Internet and E-mail communications where ever a wireless access point is set up. Also, a broadband network is possible if you communicate with an access point connected to ADSL modem, etc. Furthermore, this device itself can be used as an access point.

Note: You may need to enter into a contract with a wireless LAN connection service provider to use wireless LAN communications when you are away.

- **Ad hoc mode** which connects computers directly without an access point.



Use the VGX-XL100 as an Access Point



- You may need to enter into a contract with a wireless LAN connections service provider to use wireless LAN communications when your are away.
- 5 GHz wireless LAN (IEEE802.11a) technology and 2.4 GHz wireless LAN (IEEE802.11b/g) technology do not work together due to different frequencies.

Communicate Using Infrastructure Mode

Wireless LAN Access Point

Note: Before setting up your wireless LAN access point, make sure you have connected the Wireless LAN Antenna to the Wireless LAN Antenna connector located on the back panel of the VGX-XL100 computer.

This device and a wireless LAN access point (sold separately) can be connected using the following procedure. For details, please refer to Windows Help.

Further access point settings are required to connect to the Internet or a LAN, etc. at work via an access point. For details, please refer to the manual included with the access point you use.

To connect to an access point:




- 1 Select Turn Radio On by right clicking the red icon in the taskbar notification area on the lower right desktop screen. The wireless LAN is turned on and the WLAN (wireless LAN) lamp turns green.



or

When the icon is not displayed in the taskbar notification area, click the Windows **Start** button. Then select **All Programs > Marvell Wireless SoftAP > Marvell Wireless Soft_g_SoftAP Configuration Utility**.

- Select Station Mode and make sure that Radio Off check box is unchecked from the Operation Mode screen. Then proceed to Step 4.

- 2 Right click  in the taskbar notification area on the lower right desktop screen and select **Select Mode**.

- 3 From the Select Operations Mode screen, select **Station**. Make sure the Radio Off check box is unchecked and click **OK**. (See above image)



- 4 Click Wireless Network in the taskbar notification area at the lower right of the screen on the desktop or the Wireless Network icon.

- 5 From the Wireless network connection screen, select the wireless LAN access point to connect to from the **Choose a wireless network** list and click **Connect**.

Note: If you can't find the wireless LAN access point to connect to in the **Choose a wireless network list**, click on **Refresh network list** in Network tasks.

- 6 The screen to enter the Network Key displays.
- 7 Input the "Network key" as needed, and click **Connect**. For information about the network key, please refer to "About Network Keys".

"**Connected**" displays on the line of the selected wireless LAN access point when it is connected.

▶ **To confirm the connection status of the wireless LAN access point**



- Click the Wireless Network On or the Wireless Network Off icon in the taskbar notification area. The Wireless Network Connection Status screen displays and you can confirm the connection status for the wireless LAN access point.

Once you input the Network Key and connect, the wireless LAN access point is registered and you can connect without entering the Network Key again.

▶ **To confirm the individual information for the wireless LAN access point**

- 1 Click Windows the Windows **Start** menu and then click **Control Panel**.
- 2 From the Control Panel, click the **Network Connections** icon.
- 3 From the wireless network device listed, right-click the device and select **Properties**. The Wireless Network Connections Properties screen displays.
- 4 Click the **Wireless Networks** tab. The list of **Preferred Networks** displays.
- 5 From the Preferred Networks list, select the network device you want to confirm and then click **Properties**. The properties screen is displays. Confirm the detailed information about the wireless LAN access point is correct.

▶ **To create a new connection or switch connections**

You can create new location to connect to or switch connections to another wireless LAN access point with wireless LAN while connected. For additional information, please refer to Windows **Help**

- 1 Click the Windows **Start** button and then click **Control Panel**.
- 2 From the Control Panel, click the **Network Connections** icon. The Network Connections screen displays.
- 3 Right click the **Wireless Network Connections** icon and then click **Properties**. The Wireless Network Connection Properties screen displays.
- 4 Click the **Wireless Networks** tab. The list of **Preferred Networks** displays.
- 5 Click **Add** in the Preferred Networks. The Wireless Network Properties screen displays.

Adjust the following access point settings to be used:

- Enter Network name (SSID). You can enter a maximum of 32 characters (case-sensitive) for the Network name (SSID).
 - Set **Network Authentication** and **Data Encryption**.
 - If **WPA-PSK** and **WEP** are selected, remove the check mark by clicking **Key is Provided Automatically** and, if necessary, enter the **Network key**.
- 6 Click **OK**. If you successfully connect to the new wireless LAN access point, a message displays in the communication area saying you are connected.

▶ To set the priority of the wireless LAN access points that are available for connection

Note: If you move outside of the range for connecting to a wireless LAN access point, it automatically switches to the next registered access point in order of priority, choosing from available access points.

- 1 Click **Start** from the Windows task bar, and then click **Control Panel**.
- 2 From the Control Panel, click the **Network Connections** icon.
- 3 From anywhere on the Network Connections screen, right-click and select **Properties**. The Wireless Network Connections Properties screen displays.
- 4 Click the **Wireless Network Connections** icon and click **Properties**.
- 5 From the Wireless Network Connections Properties screen, click the **Wireless Networks** tab. The list of **Preferred Networks** displays.
- 6 Select the one you want to change from the **Priority Network** list and click **Move up** or **Move down**.
- 7 Click **OK**.

Communicate Using Ad Hoc Mode

Wireless Ad Hoc Connection

If Ad Hoc mode is used (connecting directly to another computer), the wireless LAN devices can directly connect to each other without a wireless LAN access point. Set the first computer to Ad hoc mode and then connect the other computers to the first computer.

To create an Ad Hoc network



- 1 Select **Turn Radio On** by right-clicking the red icon in the taskbar notification area on the lower right desktop screen.



The wireless LAN turns on and the WLAN (wireless LAN) lamp turns green.

Or, If the icon is not displayed in the communication area, click Windows **Start**, point to **All Programs > Marvell Wireless SoftAP** and then click **Marvell Wireless Soft_g_SoftAP Configuration Utility**.

- From the Operation Mode screen, select **Station Mode** and make sure the Radio Off check box is unchecked. Proceed to Step 4.
- 2 Select **Select Mode** by right clicking the red icon in the taskbar notification area on the lower right desktop screen. The Select Operation Mode screen displays.
 - 3 Select **Station** in the Select Operation Mode screen and click **OK**.
 - 4 Click Windows **Start** and then click **Control Panel**. The Control Panel screen displays.
 - 5 Click the **Network and Internet Connections** icon.
 - 6 Click the **Network Connections** icon. The Network Connections screen displays.
 - 7 Right click the **Wireless Network Connections** icon and click on **Properties**. The Wireless Network Connection Properties screen displays.
 - 8 Click the **Wireless Networks** tab.
 - 9 Click **Advanced**. The Advanced screen displays.
 - 10 Select **Only computer-to-computer (ad hoc) networks** in Network to Access and click **Close**.

This allows you to connect only to Ad Hoc networks.
 - 11 Click **Add**. The Wireless Network Properties screen displays.

- 12 Enter Network Name (**SSID**). You can enter a maximum of 32 characters (case-sensitive) for the Network name (SSID).
- 13 Click to remove the check on **The key is provided for me automatically**, as needed.
- 14 Enter the Network key and again to confirm the entry. Click **OK**.
Confirm that the **Network name (SSID)** entered in Step 12 is added to the top of the list of Preferred Networks.
- 15 Click **OK**.
Please follow your computer setting method to set up the second computer.

To Participate in a Current Ad Hoc Network



- 1 Select **Turn Radio On** by right clicking the red icon located in the taskbar notification area on the lower right desktop screen.



The Wireless LAN turns on and the WLAN (wireless LAN) lamp turns green.

Or, If the icon is not displayed in the communication area, click Windows **Start**, point to **All Programs > Marvell Wireless SoftAP** and then click **Marvell Wireless Soft_g_SoftAP Configuration Utility**.

- From the Operation Mode screen, select Station Mode and make sure the Radio Off check box is unchecked. Proceed to Step 4.



- 2 Select **Select Mode** by right clicking the green icon in the taskbar notification area on the lower right desktop screen.

The Select Operation Mode screen displays.

- 3 Select a **Station** in the Select Operation Mode screen and click **OK**.



Click the Wireless Network On icon in the taskbar notification area at the lower right of the screen on the desktop or the Wireless Network Off icon.

5 Connecting to the Ad Hoc Network.

- Select the Ad hoc network to connect to from the **Select a Wireless Network** list and click **Connect**. If you can't find the Ad Hoc Network to connect to in the **Select a Wireless Network** list, click **Refresh the Network List** in Network task.

The screen to input the network key displays.

- Enter the Network Key (case-sensitive) as needed, and click **Connect**.
- Please follow your computer setting method to set up the second computer.

Note: The channel for Ad hoc mode is automatically set for this device. Users cannot change this setting.

To quit Ad Hoc mode

Quit the Ad Hoc Mode with the following procedure and return to Infrastructure Mode.

- 1 Click **Start** from the Windows taskbar, and then click **Control Panel**.
- 2 From the Control Panel, click the **Network Connections** icon.
- 3 From anywhere on the Network Connections screen, right-click and select **Properties**. The Wireless Network Connections Properties screen displays.
- 4 Click the **Wireless Network Connections** icon and click **Properties**.
- 5 From the Wireless Network Connections Properties screen, click the **Wireless Networks** tab. The list of **Preferred Networks** displays.
- 6 Click **Advanced** and select **Any Available Network (access point preferred)** in Network to Access and click **Close**.
- 7 Select the network selected in Ad Hoc Mode from the Preferred Network list and click **Delete**.
- 8 Click **OK**.

About network keys

This is a data key for encrypting the wireless LAN communication between IEEE802.11b/g devices. This is also called a Private Key, Encryption Key or WEP Key.

This enables the wireless LAN communication only between the wireless LAN access points and computers which use same key information.

The network key is pre-set in each access point (please confirm that the network key setting is changed after purchasing to prevent illegal usage). If you don't know the network key, please refer to the manual that came with the access point or check with the access point administrator.

Use this device to function as an access point

Set this device to function as an access point for other computers.

To use this device as an access point



- 1 Select **Turn Radio On** by right-clicking the red icon in the taskbar notification area on the lower right desktop screen.



The wireless LAN turns on and the WLAN (wireless LAN) lamp turns green.

Or, If the icon is not displayed in the communication area, click Windows **Start**, point to **All Programs > Marvell Wireless SoftAP** and then click **Marvell Wireless Soft_g_SoftAP Configuration Utility**.

- From the Operation Mode screen, select Station Mode and make sure the Radio Off check box is unchecked. Proceed to Step 4.



- 2 Select **Select Mode** by right-clicking the red icon in the taskbar notification area on the lower right desktop screen.

The "Select Operation Mode" screen displays.

- 3 Select **Access Point (AP)** in the Select Operation Mode screen and click **OK**.

The Marvell(R) CB-35P/MB-35P Wireless Client Card Settings Utility screen displays.

Note: When you set this as an access point for the first time or change the settings, the AP Information screen displays. The current access point settings are displayed in the AP Information screen.

Note: Do not continue displaying the settings because the network key is displayed in the AP Information screen.

- 4 Click **Cancel**.

You can now use this device as an access point.

Set a Network Bridge.

Click **How to use VAIO > Network (LAN) in "Internet/Network" > Use Network Bridge**.

Marvell(R) CB-35P/MB-35P Wireless Client Card Settings Utility screen

This allows you to change various settings to use this device as an access point.

AP Settings

The AP Settings screen displays below.

Basic Settings

Setting	Description
SSID	Enter an access point name to be displayed to the clients.
BSSID	This is a network identifier in the wireless LAN and has the same value as the MAC address.
IEEE 802.11 mode	802.11b: Only stations which support 802.11b are able to connect to this access point. 802.11g: Only stations which support 802.11g are able to connect to this access point. 802.11g/b: Only stations which support 802.11g/b are able to connect to this access point.
Channel	Selects the channel to use. Automatic Channel Selection: <ul style="list-style-type: none">• If the check box is checked, the channel is automatically selected.• If the check box is not checked, the channel is manually selected.
Security Settings	The current access point security settings are displayed. Click Edit Security Settings to display the Security Settings screen.

Detailed Settings

Settings	Description
Protocol Settings	Detailed settings of the access point can be modified. Normally, you don't need to change these.
Access Control	Use this setting when you want to limit the clients that can connect to the access point.
Wake on WLAN	Use this setting when you want to use the Wake on Wireless LAN function.
Wireless Disabled	Switches the wireless LAN on/off.

Security Settings screen

Set the security for the access point in the Security Settings screen.

Setting	Description
Invalid	Security settings can't be set.
WEP	<p>The transmitted packets are encrypted using WEP. Select the authentication method in Authentication]</p> <p>Open System: This does not authenticate when connecting to the access point. However, the network key is required to decode the communication data.</p> <p>If the network key is wrong, you are able to connect to the access point, but unable to communicate.</p> <p>Shared Key: Authentication can be done using the network key when connecting to the access point. A network key is required for both authentication and encoding the communication data.</p> <p>If the network key is wrong, you are unable to connect to the access point (authentication failed).</p> <p>Automatic Switch: The client determines whether to use a shared key, and is able to connect to the access point.</p> <p>WEP Key Settings: Key 1 - key 4 are able to be set.</p>
WPA-PSK	When the client is set to WPA, the access point can be connected.

Access control screen

The Access control screen provides control over which computers are able to connect to the access point of this device.

Setting	Description
Allow all stations	Detailed settings of the access point can be modified. Normally, you don't need to change these.
Allow the list below	Use this setting when you want to limit the clients that can connect to the access point.

Wake on wireless LAN settings screen

The Wake on Wireless LAN Setting screen provides settings related to the Wake on Wireless LAN function. Wake on Wireless LAN is a function to run this device automatically from standby or hibernate when access is made to the access point if this device is functioning as an access point.

Setting	Description
Disable Wake On wireless LAN (WOW)	Disables the Wake On Wireless LAN function.
Enable WOW and allow Wake On for all clients	Enables this device to run access from any client.
Enable WOW and allow Wake On for the following clients	Enables this device to run only when accessed from a client added to the list.

Important Note: If the setting **Allow this device to bring the computer out of standby** in Power Management in the “Marvell Livertas Wireless 802.11g/b Wireless (CB35) property” driver screen is not checked, the Wake on Wireless LAN does not function.

Close Wireless Communication



Select **Turn Radio Off** by right-clicking the green icon in the taskbar notification area on the lower right desktop screen.

The wireless LAN turns off and the WLAN (wireless LAN) lamp turns off.

Or, if the icon is not displayed in the communication area, click Windows **Start** point to **All Programs**, **Marvell Wireless SoftAP**, and then click **Marvell Wireless Soft_g_SoftAP Configuration Utility** to display the Select Operation Mode screen. Click the check box by **Turn Radio Off** to make it checked, then click **OK**.

Appendix B: Troubleshooting

This section provides you with answers and additional information to questions and issues that may arise during the set up and operation of the VGX-XL100 Living Room Entertainment Computer. If the answers to your questions are not contained in this appendix, go to VAIO Control Central for additional help.

The Troubleshooting appendix is divided into the following sections:

Section Title	Page No.
Power/Start	141
Password	146
Screen/Display	146
Wireless Keyboard/Pointing Device	150
Hard Disk	152
Software Limitations	155
MCE Starting Up	155
DVD Playback Limitations	156
Sound Issues	156
Wireless LAN	157

Power/Start

Event:

Power is not on and green power lamp is not lit.

Comment:

Confirm that the computer's power cord is inserted firmly into an outlet.

- Confirm that all of the cables are connected well.
 - Remove all the cables connected to this device, and connect them again after waiting five minutes, then turn the power on again.
 - If the device does not run after doing the above, please contact VAIO Link.
-

Event:

The power is turned on and the power lamp (green) of the computer is on, but there is no display on the screen.

Comment:

- Make sure the proper input for the display unit (TV, DVI-D monitor) is selected.
- Please confirm that the display unit (TV, DVI-D monitor) power is turned on.

If nothing is displayed on the screen after a time, please follow the procedures below.

- Make sure the computer is connected to the proper input.
 - Hold the power button of this device for at least four seconds, make sure the power lamp turns off and then turn the power on again.
 - If nothing is displayed after the above operation, hold the power button of this device again for at least four seconds, make sure that the power lamp turns off, then remove all cables connected to this device, and re-connect after waiting five minutes and then turn the power on again.
-

Event:

Unable to shutdown the computer.

Comment:

Methods vary depending on the conditions when the power will not turn off. Confirm the following and follow the procedures below.

- Quit all software you are using, then try to turn off the power again.
- If peripheral devices such as printers or USB devices, etc. are connected, or if a network is used, make sure that they are not connected and then turn off the power.

When Windows is communicating with a peripheral device or network, the power can't be turned off.

- Confirm any newly installed software, data, and its operation, etc.
 - The **Turn Off Computer** in the **Start** menu is selected and the Turn Off Computer does not display. Hold down the Alt key and press F4. When the Turn Off Computer screen displays, click **Turn Off**.
 - When the screen freezes or doesn't move, hold down the Ctl and Alt keys and press **Delete**. Once the "Windows Task Manager" screen displays, click **Turn Off** from the Shut Down menu.
 - When "Saving the settings" or "Shutting down Windows" displays and does not change, follow these steps.
 - Press **Enter**. If the power still will not turn off, hold the power button of this device for at least four seconds and make sure the power lamp turns off.
-

Event:

When the power is turned on a message is displayed and Windows does not load.

Comment:

- Remove any third-party USB devices including floppy drives and printers.
- When "Bad CMOS Checksum" is displayed, the battery needs to be replaced due to the draining of the battery in this device.

Please contact the VAIO Customer Support for replacing the battery.

- When "CMOS Checksum Error" is displayed, the BIOS configuration contents may be damaged.

To return the BIOS to the original configuration, perform the following steps.

- 1 Press the power button, and when the "VAIO" logo is displayed on the screen, press the F2 key on the keyboard. The BIOS setup menu runs and the "BIOS SETUP UTILITY" screen is displayed.
 - 2 Press the F5 key. The message "Load Setup Defaults" displays.
 - 3 Press the Left Arrow or Right Arrow key and select **OK**, then press the **Enter** key. All the configuration items return to the original configuration.
 - 4 Press the F10 key (Save and Exit). The message "Save configuration changes and exit now?" is displayed.
 - 5 Press the Left Arrow or Right Arrow key and select **OK**, then press the **Enter** key. The changed configuration is saved, the BIOS setup menu ends and Windows XP starts.
-

Event:

A message with "Insert the disk with the Windows XP CD-ROM label and click on **OK**." displays.

Comment:

This message may be displayed when the configuration of this device has changed. Follow the procedures below. Do not insert the recovery disk into the drive.

- 1 Click **OK** after the message displays. The Copy Files screen displays.
 - 2 Enter **C:\WINDOWS\I386** in the "Source to copy files from" and click **OK**. The necessary files are copied.
-

Event:

Windows doesn't start after installing the upgraded drivers.

Comment:

Run in Safe mode by following the following steps and re-install the driver.

- 1 Press the power button of this device, and when the VAIO logo is displayed on the screen press the F8 key on the keyboard.
 - 2 When "Windows extended options menu" displays, press the Page Up key or the Page Down key, select **Safe mode** and press the **Enter** key.
 - 3 When Windows runs, click the **Start** button. Then select **Control Panel > Performance and Maintenance > System**. From the Systems Properties screen, click the **Hardware** tab and click **Device Manager**.
 - 4 Select the installed device or the updated device in the Device Manger screen. Display the properties screen by clicking Properties in the list, which displays by right clicking. Then click the **Driver** tab.
 - 5 Click **Roll Back Driver** and install the driver that was running normally.
 - 6 Restart this device with a normal restart.
-

Event:

Windows operation becomes unstable.

Comment:

Quit the software you are using and restart this VGX-XL100 computer.

If this device doesn't restart, turn the power off by holding the power button of this device for at least four seconds. The power lamp turns off when the power is off. If the power lamp does not turn off and blinks in orange (standby mode), try to turn off the power again by holding the power button for at least four seconds. However, the file you are creating or editing may not be usable if you turn off the power using this method.

Event:

How do I know if the battery level of the keyboard is sufficient.

Comment:

The level of the batteries in the keyboard can be checked using the battery indicator located on the LCD panel of the keyboard.

Note: Please turn off the power to the keyboard when you replace the batteries for the keyboard.


Event:

The unit will not stay in hibernation or standby mode.

Comment:

When using the wireless LAN of this device as an access point and the WOW (Wake on Wireless LAN) function is enabled, it may return from Standby mode or Hibernation as a result of a wireless packet from the VGX-XL100 computer if there is a wireless device near you.

Disable the WOW (Wake on Wireless LAN) function or the wireless function of supported device.




Password

Event:

Unable to log on to Windows XP.

Comment:

- The password is case-sensitive. Confirm the password and re-enter.
 - If there is an account that was created by a user with administrative privileges, change the password from a "Computer Administrator" account other than that of the user who forgot the password.
 - If there is not a user with administrative privileges, and if no password is set for "Administrator (username)", you can change the user password by starting Windows in Safe mode and logging on as "Administrator (username)".
- 

Screen/Display

Event:

My display distorts for a few seconds while system starts up, or resumes from standby/hibernation.

Comment:

This is normal. The display may distort for a few seconds while system starts up, restarts, resumes from standby/hibernation when connected to a TV.

Event:

My MCE screen flickers sometimes.

Comment:

The MCE screen will flicker when it's in a windowed screen and a balloon pops up in the taskbar. You can close the pop-up balloon in the task bar or maximize the MCE screen.

Event:

Colors on the screen are not displayed clearly,

Comment:

- Turn off the power, and then restart the computer.
 - Check the other inputs on your display to make sure the display is working properly.
-

Event:

The screen is frozen

Comment:

- Verify the keyboard is turned on, the battery level is sufficient, and the keyboard is connected to the PC (antenna icon on the keyboard display).

Restart this device according to the following procedure.

- 1** Hold down the Ctrl key and the Alt key and press **Delete**. The Windows Task Manager screen displays.
- 2** Select the software application that displays as "Not responding" in the "Windows Task Manager" screen, and click **End Task**.
- 3** Click **Turn Off** from the Shut Down menu. After the power to the VGX-XL100 computer has been off approximately 30 seconds, turn the power on again.

Note: If this device does not restart by following the above procedures, turn off the power by holding the power button of this device for more than 4 seconds. The power lamp turns off when the power is off. When the power lamp is on (orange), turn off the power again by holding the power button for at least four seconds. Files you are creating or editing may not be usable using this method to turn off the power to the computer.

Event:

The screen is dark

Comment:

- Adjust the brightness of TV. Adjusting the brightness will vary depending on the type of TV. For details, please refer to the TV users manual.
 - Verify if other inputs on the TV are dark, if they are please refer to the TV user manual
-

Event:

When playing movies on the TV connected using a component video cable, the following symptoms can occur.

- When playing video, the screen is switched to 525p (480p)
- DVD/video is played as a black screen from the beginning or from a certain place (the audio is normal)
- The DVD/video does not play.
- No images are displayed while playing a movie.

Comment:

The above symptoms may occur when the output format is set to 1125i(1080i) or 750p(720p), because a DVD/video labeled "Copy Prohibited" or images which contain signals to protect the copyright cannot be displayed on a TV with the signal format of 1125i(1080i) or 750p(720p) to protect the copyright.

In order to play the movie, quit the software and change the output signal format to 525i(480i) or 525p(480p).

If the symptoms do not improve with the output signal format changed, restart this device.

Event:

Pictures on the TV screen are distorted

Comment:

- Confirm that this device and the display device are properly connected.
 - When the TV is connected using a component video cable, make sure to use an output format that matches the component terminal of the TV you are using.
 - When the TV is connected using a component cable, make sure to use a resolution that matches the component input of the TV you are using.
-

Event:

Part of the top, bottom, left or right of the screen is not displayed when the TV is displayed.

Comment:

Adjust the over scan width using the over scan adjustment on the graphic card.

Event:

Part of the top, bottom, left or right of the screen is not displayed and is black.


Comment:

Adjust the over scan width using the over scan adjustment on the graphic card.

Event:

When the TV or display is connected to the HDMI OUT (HDMI output) connector, the image does not display.

Comment:

- Re-connect the HDMI cable.
 - It may be connected to a device that does not support HDCP.
Connect to a device which supports HDCP.
 - When a HDMI-DVI adapter is used, the TV or display may not be supported by the HDMI-DVI adapter.
Connect a TV or display which supports the HDMI-DVI adapter.
 - Make sure that HDMI cable connects the computer with the TV and restart the computer.
- 

Wireless Keyboard/Pointing Device:

Event:

My keyboard stops working after a period of time.

Comment:

The keyboard/Pointing Device will sleep when it is not in use. You must press any key on the keyboard to resume the connection.

Event:

My keyboard works, but not the Pointing Device (or vice versa).

Comment:

- 1 Verify that the keyboard switch is on and that the pointing device switch on the back of the keyboard is on.
 - 2 Re-connect the keyboard/touchpad to the computer by pressing the Connect buttons (on the back of the keyboard and the front panel of the computer) within 10 seconds.
-

Event:

Don't know how to enter text using the VAIO Remote Control.

Comment:

Refer to the Entertainment Guide.

Event:

Cannot enter text when I press the keys on the keyboard.

Comment:

Make sure that the "Num Lock" indicator on the LCD panel of the keyboard is not displayed.

Event:

Cannot use the keyboard

Comment:

Response methods vary depending on the reason the keyboard is not able to be used. Confirm the following and follow the procedures below.

Usage environment

The distance between this machine and the keyboard must be within about 10m. If metal is near the keyboard, short range communication may be affected. Please use the computer and the keyboard 15 cm or more apart.

The keyboard operates at 2.4 GHz. If a wireless device which uses the same 2.4 GHz, such as a wireless LAN, is used nearby, it may not operate properly.

Power ON

Make sure the Power switch on the keyboard is turned on. When you are not using the keyboard, turn off the power to preserve the batteries.

Event:

Check whether keys such as Caps Lock and NumLk are enabled.

Comment:

You can check with the various indicators on the LCD panel of the keyboard.

Event:

Cannot use the pointing device.

Comment:

Make sure your pointing device is not disabled.

Refer to the Setting up the Keyboard topic in Chapter 1 of this guide.

Event:

I Want to disable the pointing device.

Comment:


Turn the Pointing Device Switch on the back side of the keyboard to "OFF".

Event:

The "pointer" on the screen does not move.

Comment:

Follow the instructions below.

- 1 Turn off the power to the VGX-XL100 computer and the keyboard.
 - 2 Restart the VGX-XL100 computer and the keyboard.
 - 3 Perform the Activate Keyboard Communications procedure in Chapter 1, if necessary.
- 

Hard Disk Event:

Use 8cm discs in my computer's optical drive.

Comment:

The drive only accepts 12cm discs.

Event:

Use 8cm disc with the 8cm disc adapter.

Comment:

The 8cm disc adapter (included) can be used to insert 8cm discs but the disc can only be read and not written to.

Event:

An error occurred in the initialization of the hard disk.

Comment:

- The files on the hard disk cannot be recovered. This device must be recovered by using the recovery function in the hard disk or your own recovery disk.
-

Event:

Cannot start-up from the hard disk.

Comment:

Please remove any media from the memory card reader and disconnect all third-party devices such as scanners, printers, floppy drivers, etc. and try again.

- If the hard disk does not start-up with above process, you may need to perform hard disk drive recovery. Go to VAIO Support Central. (Click Start from the Windows® taskbar and select All Programs > VAIO Support Central.
-

Event:

Available hard disk space is low.

Comment:


Clean up the disk.

Temporary files and backup files are automatically created to make Windows' processes faster, so the free space on the hard disk is decreased. If you clean up the disk, the temporary files, etc. are deleted and the free space is increased.

Clean up the disk according to the following procedure.

- 1 Click **Start** on the Windows taskbar and select **All Programs > Accessories > System Tools** and click **Disk Clean Up**. The "Select Drive" screen displays.
- 2 Select **Local disk (C:)** or **Local disk (D:)** and click on **OK**.
- 3 Read the description of the files carefully, and check the files to delete.
- 4 Click **OK**. The message "Are you sure you want to perform these actions?" displays.

Click **Yes**. Disk clean up proceeds.



Software Limitations:

Event:

My software application does not launch.

Comment:


Some software applications require a minimum resolution higher than your current resolution setting. Please check back to our support website at <http://www.vaio-link.com>.

Event:

Some of my shortcuts in the start menu are not visible.

Comment:

At 480i/480p resolution, the Start Menu gets cut off and some of the shortcuts are not visible. You can switch the Start Menu to Classic Start Menu will help alleviate this but not complete resolve the issue.




MCE Starting Up:

Event:

MCE appears to be unresponsive after boot up.

Comment:

Even though MCE is launched, there are still other programs in the background that have not finished loading as well as other MCE processes that need to load as well.



DVD Playback Limitations

Event:

What resolution does my DVD playback?

Comment:

- You cannot view copy-protected DVD through component video connection
- with a higher resolution than 480i/480p due to Content Scrambling System (CSS).

Sound Issues:

Event:

The sound volume control does not work (except from the headphone jack output) from my XL100 computer.

Comment:

Windows/MCE cannot control the volume level of HDMI, Optical/Coaxial S/PDIF, and Line Out sound. Windows/MCE will only control the volume of the headphone jack output.

Event:

The sound coming from HDMI or S/PDIF does not work.

Comment:

Check the Sound Reality Control Panel.

- Go to the Windows Control Panel, and then from the Category view, select Sounds, Speech and Audio Devices > Sound Reality Audio.

Make sure the appropriate boxes (HDMI or S/PDIF) are checked.



Wireless LAN

Event:

Cannot use the wireless LAN.

Comment:

Make sure that the wireless LAN function set up correctly and is turned on. Refer to the Appendix A: Wireless Local AreaNetwork in this guide.

Make sure that the Wireless Zero Configuration service is started. Operate according to the following procedure.

- 1 Click **Start** on the Windows taskbar and click **Control Panel**. The Control Panel screen displays.
- 2 From the Category view, click **Performance and Maintenance**.
- 3 Click **Administrative Tools**.
- 4 Double-click the **Services** icon.
- 5 Check the Wireless Zero Configuration item. The Wireless Zero Configuration service has started if the condition is **Start** and type of startup is **Automatic**.

Start the Wireless Zero Configuration service with the following steps if the service has not started.

- 1 Right click **Wireless Zero Configuration** and click **Properties**. The Properties of Wireless Zero Configuration screen displays.
 - 2 Set the type of start-up as Automatic and click **Apply**.
 - 3 Click **Start** in service condition.
 - 4 Click **OK** and close the screen.
-

Event:

This device can't communicate with the wireless LAN access point (can't access the Internet)

Comment

- Check the items in "Can't use the wireless LAN" above.
- Make sure that the power is turned on to the wireless LAN access point.
- Check the settings for the wireless LAN access point.

Refer to the Appendix A: Wireless Local AreaNetwork in this guide.

- Check if this device and the wireless LAN access point are connected.
Refer to the Appendix A: Wireless Local AreaNetwork in this guide.
- The communication distance between the devices varies depending on the actual distance between the communication devices, the surrounding environment such as obstacles, the equipment configuration, the radio wave condition, the presence of walls, materials, and software used, etc.

Move the location of this device or the wireless LAN antenna for this device, or bring both communication devices closer together.

Check if the wireless LAN access point displays in the "Choose a wireless network" list on the "Wireless Network Connection" screen.

- 1 Click **Start** on the Windows taskbar and then click **Control Panel**. The Control Panel screen displays.
- 2 From the Category view, click **Network and Internet Connections**.
- 3 Click **Network Connections**. The Network Connections screen displays.
- 4 Right click **Wireless Network Connections** and click **Display Wireless Network to use**. The Wireless Network Connection screen displays.
- 5 Check if the wireless LAN access point displays in the Choose a Wireless Network screen.

The network key entered may be wrong. Once the network key is set it is displayed with "*" for security purposes and you can't read it. Re-enter the security key. Follow the procedure.

- 1 Click **Start** on the Windows taskbar and then click **Control Panel**. The Control Panel screen displays.
- 2 From the Category view, click **Network and Internet Connections** and then **Network Connections**. The Network Connections screen displays.
- 3 Right click Wireless Network Connections and click **Properties**.

- 4 Click the **Wireless Networks** tab.
- 5 Select the item you want to confirm from the Preferred Networks list and click **Properties**.
- 6 Enter the Network Key and click **OK**.
- 7 Click **OK** in the Wireless Network Connection Properties screen and close the screen.

If access to the internet is limited, communication may not be possible. Change the settings to limit the access according to the instructions below.

- 1 Click **Start** on the Windows taskbar and then click **Control Panel**. The Control Panel screen displays.
- 2 From the Category view, click **Network and Internet Connections** and then **Network Connections**. The Network Connections screen displays.
- 3 Right click Wireless Network Connections and click **Properties**. The Wireless Network Connection Properties screen displays.
- 4 Double click the **Advanced** tab.
- 5 Change the setting as needed by clicking Settings for "Windows firewall". The confirmation screen displays.
- 6 Click Yes. Change the settings as needed if a firewall other than the Windows firewall is used. Refer to the Help section of the firewall software you use for details.

Event:

Can't play video or audio received through the wireless LAN or it is damaged. Also, the communication speed is slow.

Comment:

- Change the environment for receiving the signal by changing the location of this device or bringing it closer to the wireless LAN device.

The communication speed for the wireless LAN or the communication conditions vary depending on the actual distance between the communication devices, the surrounding environment such as obstacles, the equipment configuration, the signal quality, the presence of walls, materials, and software used, etc.

- There is a possibility of convergence in accessing the wireless LAN access point.

Try to access again in a little while.

- Change the channel setting for the access point. The effect of band interference may disappear and this may help to improve the communication speed.

However, the communication speed for IEEE802.11g slows down automatically because IEEE802.11g retains compatibility with IEEE802.11b under mixed circumstances with IEEE802.11b.

Also, channel band interference may cause a slow down in the communication speed for IEEE802.11b devices.

- Set the wireless channel for the wireless LAN access point if it is used with other wireless LAN access points. Refer to the user's manual that came with the wireless LAN access point for detailed settings.
- Make sure that a microwave is not used nearby.

The 2.4 GHz band used by IEEE802.11b/g is a signal band shared with various devices. Using a microwave nearby when the wireless LAN is communicating may cause a decrease in communication speed and the communication distance, or interrupt the communication depending on the circumstances.

Event:

Can't communicate with other computers (Ad Hoc mode).

Comment:

If communication settings are set for use with a wireless LAN access point, communication may not be possible in Ad hoc mode. Change the communication settings according to the instructions below.

- 1 Click **Start** on the Windows taskbar and then click **Control Panel**. The Control Panel screen displays.
 - 2 From the Category view, click **Network and Internet Connections**, and then **Network Connections**.
 - 3 Right click Wireless Network Connections and click **Properties**.
 - 4 Click the **Wireless Networks** tab.
Click **Advanced**, select **Computer-To-Computer (ad hoc) Networks Only** in "Networks to access" and click **Close**.
 - 5 Click **OK**.
-

Event:

I want to confirm a physical address (MAC address) for a built-in wireless LAN

Comment:

Check the physical address (MAC address) for the built-in wireless LAN of this device. Follow the instructions below.

- 1 Click **Start** on the Windows taskbar and then select **All Programs > Accessories** and click **Command Prompt**. The Command Prompt screen displays.
- 2 Enter "ipconfig /all" and press the **Enter** key.
- 3 Check the physical address (MAC address) in the Physical Address field of "Ethernet adapter Wireless Network Connection".

Cancel the network bridge if a network bridge has been created.

Event:

I want to end the wireless LAN communication.

Comment:

- Turn off the wireless LAN function.
Refer to the Appendix A: Wireless Local AreaNetwork in this guide.

Event:

I cannot communicate using Access Point Mode.

Comment:

- It is impossible to communicate with another access point via wireless LAN using the Access Point Mode. Change your wireless LAN to Station Mode when you want to communicate with another access point.
- Please check your security settings when you connect other devices to your VAIO access point. Old types wireless LAN devices may be connected using the 64 bit WEP security only.
- Your VAIO supports the wireless channels 1 - 13. Some wireless LAN devices only support the channels 1-11, so that you cannot use channels 12,13 with these devices. Please check which channels your device is supporting, and change your wireless channel on your VAIO to automatic or to 1 - 11.
- As your VAIO has a feature to access limitation, you can refuse connections from devices which do not have registered MAC addresses.

Please add the MAC address of the devices you want to connect via the **Access Limitation** window to enable this feature. If you don't want to use this feature, please select **Allow all access from any stations** in the **Access Limitation** window.

- When you cannot connect your VAIO access point to other wireless LAN devices, please remove the AC cable from your VAIO computer, and leave it for 5 minutes at least. Then plug the cable back in, turn on your VAIO and launch the Marvell Wireless LAN Utility, after Windows has started.
- When you change the WEP key of access point without selecting Key 1, you will have to change the key index settings of the station:
 - 1 Click the **Start** button and click **Control Panel**.
 - 2 Click the **Network & Internet connection** icon and click **Network Connection**.
 - 3 Right-click the **Wireless Network Connection** icon and click **Properties**.
 - 4 Click the **Wireless Network** tab.
 - 5 Select your access point under **Wired Network** and click **Properties**.
 - 6 Change the settings under **Key Index (detailed)**.
 - 7 Click OK.

Summary

This completes the Troubleshooting Appendix. If still have unanswered questions, go to VAIO Support Control and select a support option.

VAIO



VGX-XL Living Room Entertainment Computer Entertainment Guide

SONY



like.no.other™



VAIO® PC VGX-XL1

Welcome to the VGX-XL1: Sony's Living Room Entertainment Computer

Welcome

What is VGX-XL1?	2
Benefits of the VGX-XL1	3
VGX-XL1 Features	4
Getting Started	5
Using the Remote Control	6
Using the Wireless Keyboard	7
Getting Around Media Center	8
Adding files to Media Center	9
Using the Search Feature	10

The **VGX-XL1** is both a powerful computer and a state of the art home entertainment system.

Let **VGX-XL1** lead you into the exciting world of VAIO where new standards are established for digital content management.

The design of **VGX-XL1** allows it to easily fit into any decor, thus completing your video, audio, and Internet experience by bringing powerful PC capabilities to your home theatre—all in the comfort of your living room.

What is VGX-XL1?

What is VGX-XL1?

VGX-XL1 works just like any other computer, **EXCEPT IT OFFERS MORE!** More of the latest technology and excellence you have come to expect from Sony.



- Leverages the latest Intel components
- Uses the latest Microsoft® Windows® XP Media Center operating system
- Offers High Definition connectivity for Sony HD Camcorders

Benefits of the VGX-XL1

Sony establishes new standards in video and audio home entertainment, and digital content management with the **VGX-XL1** Living Room Entertainment Computer.

Playback and manage your media library using a remote control or wireless keyboard. View it all on your TV or monitor for the optimal entertainment experience.

- **Personal Content**

- Digital Pictures
 - HD Camcorder
 - Mini DV Camcorder

- **Internet Content**

- Downloaded Music
 - Movies
 - Pictures
 - Recorded TV
 - Streaming Video

Full Digital Living System functionality for the living room.

- Operates using the latest Microsoft® Windows® XP operating system (MCE) augmented with advanced VAIO® functionality.
- HD connectivity with Sony HD Camcorder

VGX-XL1 Features

The **XL1** is a technologically advanced and powerful computer that will be right at home in your living room or den. Surf the Internet, download music and movies, record TV, watch videos, make copies of media files, and more— all managed using the wireless keyboard w/intragrated pointing device and the remote control.

The **XL1** is equipped with the following additional features:

Cutting Edge IT Architecture	Pentium D, DDR 2 RAM, PCI-E graphics, S-ATA drives, RAID enabled, and multitasking.
Enhanced Connectivity	PC, wired, and wireless connectivity.
Enhanced Remote Control	Control MCE features, including surfing the Internet.
Improved Web Surfing	Remote Control navigation and alphanumeric input.

Getting Started

VGX-XL1 uses the Microsoft® Windows® XP Media Center Edition operating system (MCE). This version has all of the features and capabilities of other XP operating systems, with one major difference—**Media Center**. This group of advanced features takes you into the world of digital home entertainment, bringing all of your entertainment sources together in a single location, easily managed by the VAIO® remote control or the VAIO® wireless keyboard.

This guide provides an overview of Media Center and additional advanced features unique to **VGX-XL1 Living Room Entertainment Computer**.



This guide will focus on the “living room” experience, using **Media Center** and the remote control to perform all tasks. The next few pages provide examples of how to get around and perform tasks in **Media Center**. Then, you will be guided through setting up **Media Center**, and finally, an overview of available features.

Using the Remote Control

Press a Remote Control button to do the following:

Start **MY TV, MY MUSIC, MY PICTURES, MY VIDEO** in Media Center. Press **STANDBY** to place your computer in Standby mode.

Control the playback for **TV, MUSIC, VIDEOS**, and end a side show. Buttons include: **STOP, PAUSE, FWD, SKIP, REPLAY, REW**, and **RECORD**. The right arrow button serves as a **PLAY** button.

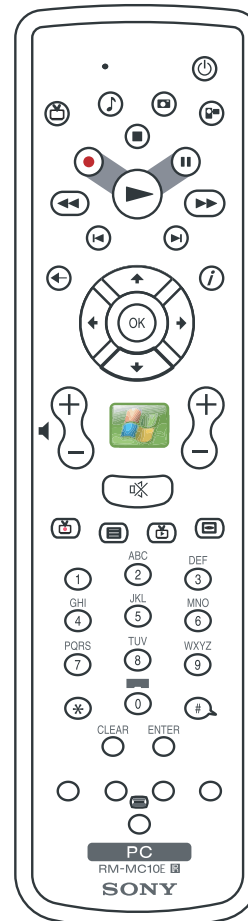
Use the arrow buttons to move to a specific location, the **OK** button to make your selection, the **BACK** button to go to the previous screen, and the **MORE** button to view additional information.

Use the **START** button to open Media Center. Volume Controls (**VOL**) are on the left and Channel (**CH**) or Page (**PG**) on the right of the **START** button. A **MUTE** button is also provided to suppress sound.

Important Note: The VAIO® remote control will **NOT** control the sound for your TV. You must use the remote control that you are currently using to control the sound for your TV.

Open the following screens **RECORDED TV, GUIDE, LIVE TV, DVD MENU**. (DVD MENU is available only when Media Center is active.)

Use these buttons to change channels and enter text or numbers in a specific location.







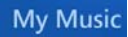




Using the Wireless Keyboard

Before using the keyboard, you must activate communication between the computer and the keyboard. Please complete the following steps for keyboard installation.

Step 1: Insert the batteries	Step 2: Activate Communication
<ul style="list-style-type: none">• Turn the keyboard over	<ul style="list-style-type: none">• Slide the Power button to On
<ul style="list-style-type: none">• Open the battery compartment	<ul style="list-style-type: none">• Turn the keyboard over
<ul style="list-style-type: none">• Insert supplied batteries as indicated	<ul style="list-style-type: none">• Slide Pointing Device button to On
<ul style="list-style-type: none">• Replace battery compartment cover	<ul style="list-style-type: none">• Press Connect on computer and on back of keyboard at the same time.
<ul style="list-style-type: none">• Return keyboard to its upright position	

Getting Around Media Center

From inside Media Center:

Select this...	To do this...
	Start Media Center and return to Start menu.
	Close Media Center . Options for close include Media Center, Log Off, Shut Down, Restart, and Standby.
	Open Media Center Help .
	Press an arrow to move to a specific command or option. Then press OK to make your selection.
	Highlighted command button - Performs a function.
	Green Highlight - Indicates selected object. Press OK .
	Option button: Highlight, then press OK to select.
	Minus/Plus button: Press OK for more options in a list.
	Check boxes: Highlight, then press OK to select.

Adding files to Media Center

In order to access your media files to view **pictures**, **videos**, **recorded TV**, or listen to **music** you must place the files in a folder recognized by Media Center. Media Center recognizes the following folders located in the **My Documents** directory.

Note: The Recorded TV folder may be located in a separate partition on your hard drive.

You can add media files to recognized folders in the following ways:

- Copy files or folders directly to recognized folders using Windows Explorer.
- Download media files (Internet, Music CD's, Video) directly to recognized folders.
- Add additional folders, or shared folders for Media Center to recognize by pressing the **MORE** button and selecting **Add Pictures/Videos/Music/Recording** from the menu. Then follow the on-screen instructions.

Each time you open **My Pictures**, **My Videos**, or **My Music** a message appears asking if you would like to add new media files. You must respond to continue. To add files, select **Yes** and follow the on-screen instructions. This method will allow you to add folders, not individual files for Media Center to recognize. If you select the **Don't ask me this again** check box, you must add media files by pressing the **MORE** button and selecting the **"Add"** menu command.

Using the Search Feature

In Media Center, you can search through the TV listings or your media library to find just the right TV show or movie to watch, or just the right song to listen too—all by remote control.

Use the keypad on the remote control to enter text, much like you would using an address book on a cellular phone.

Each time you press a button on the numeric keypad on the remote control, you scroll through the characters that are available for that button.

Press a number repeatedly to scroll through the choices that are available for that number. With each repeated press of a number, a different character appears. When entering text, you can also do the following:

- To switch between uppercase, lowercase, and symbol modes, press the **CH/PG+** or **CH/PG-** button on the remote.
- To backspace, press the **CLEAR** button on the remote control.
- To enter a space between words, press the **(0)** button on the remote control.
- When you find the character you want, press the **ENTER** button on the remote control.



Media Center

Welcome to Sony VAIO and Microsoft Windows XP Media Center

Media Center Setup

Sony VAIO® and Microsoft® Windows® XP Media Center Edition 2005 let you do amazing things with your VAIO Living Room Entertainment Computer Personal Computer. With a full range of powerful, yet easy-to-use digital entertainment features, you can experience TV, movies, music, and photos like never before.



With VAIO and Media Center, you can bring all of your entertainment sources—**TV, Recording, Music, Pictures, CD/DVD Player, Internet**—together in a single location. This guide will assist you in setting up Media Center for your distinct entertainment needs, and then provide you with an overview of the major features.



Settings

General	13
TV	32
Pictures	45
Music	46
DVD	49
Messenger and Caller ID	54
Settings	
Help	55

Once you have set up your computer and have connected any additional hardware devices, you are ready to set up your Media Center preferences.

The first time you start Media Center, a setup “**wizard**” (a series of setup screens) opens. To enjoy the full benefit of Media Center, it is best to complete all screens. You may return to Settings at any time to change your preferences.

Please note: The Media Center setup wizard requires Internet connection to complete the process. Also, remember to check for Windows updates before you begin to make sure Media Center has the most recent software and security updates.



General

Start Up and Window Behavior	14
Visual and Sound Effects	15
More Programs Options	16
Media Center Setup	17
Parental Controls	27
Automatic Download Options	28
Optimization	29
About Media Center	30
Privacy Settings	31

The **General** settings are a series of options that effect Media Center and some general preferences for your computer.

You might want to take the time to review all of the **General** settings options to see what might improve your entertainment experience.

Set Up and Window Behavior

Start Menu | Settings | General

Start Up and Window Behavior

You can decide how Media Center starts and reacts to your environment. You can determine if Media Center:

- is always the top window.
- will warn you if a file or action is not designed for Media Center.
- starts when Windows starts.
- shows task bar notification.
- shows TV tips.



Use the arrow keys on your remote control to move to the buttons for each option. Press the **OK** button to select (add a check mark) or deselect (remove a check mark). When finished, select **Save**.

Visual and Sound Effects

Start Menu | Settings | General

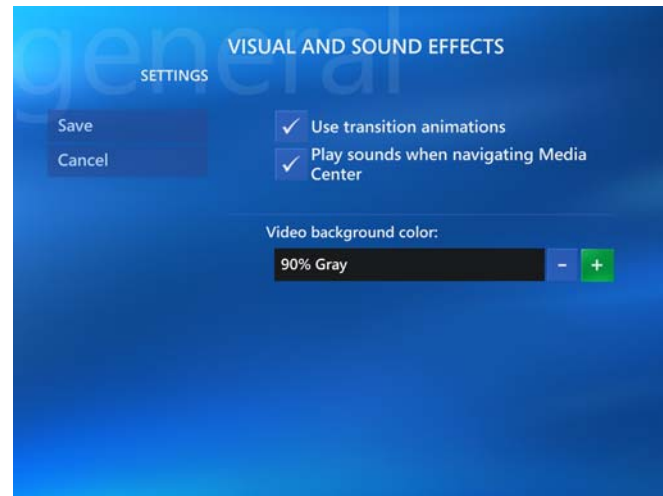
Visual and Sound Effects

Adding visual and sound effects can add a new dimension to your entertainment enjoyment.

Here you can add transition animations, play sounds when navigating Media Center, and even change your video background color.

(Background colors include Black, White and various shades of Gray.)

Use the arrow keys on your remote control to move to the buttons for each option. Press the **OK** button to select (add a check mark) or deselect (remove a check mark). To change the video background color, select the (+) or (-) button and press the **OK** button. When finished, select **Save**.



More Programs Options

Start Menu | Settings | General

More Programs Options

Media Center has teamed with other applications and Internet sites to not only make your entertainment experience better, but to also make it easier to create media, and to have access to more entertainment information.

You can control the media experience in Media Center and which application you can access within Media Center.

Use the arrow keys on your remote control to move to the buttons for each option. Press the **OK** button to select (add a check mark) or deselect (remove a check mark). When finished, select **Save**.





Media Center Setup

Set Up Internet Connection	18
Set Up TV Signal	19
Set Up Your Speakers	20
Configure Your TV or Monitor Settings	21
Set Up The Remote Desktop	22
Automatic Updates	23
Join Wireless Network	24
Run Media Center Setup Again	25
Restore Start Page Defaults	26

Media Center Setup takes you to the basic level of settings that are required for you to use Media Center.

Most of these options will guide you through a “wizard” (a series of screens) to make it easier for you to set up Media Center and your entertainment preferences.

Set Up Internet Connection

Start Menu | Settings | Media Center Setup

Set Up Internet Connection

Media Center makes it easy to set up your Internet connection. Just read the on-screen information and answer a few questions—Media Center does the rest!



Use the arrow keys on your remote control to move the **Yes** or **No** option. Press the **OK** button to select the option. Select **Next** to continue.

Set Up TV Signal

Start Menu | Settings | Media Center Setup

Set Up TV Signal

Media Center makes it easy to set up your TV signal for viewing. Just read the on-screen information and answer a few questions—Media Center does the rest!

You will need to confirm the region that you live in and then decide if you want Media Center to automatically configure your TV signal (recommended) or if you want to do it yourself.

If you choose **Yes** to let Media Center configure your TV signal, make sure you read the **Prepare for Automatic Configuration** screen carefully before continuing.



Set Up Your Speakers

[Start Menu](#) | [Settings](#) | [Media Center Setup](#)

Set Up Your Speakers

Media Center makes it easy to set up your speakers for your listening pleasure. Just read the on-screen information and answer a few questions—Media Center does the rest!

Media Center will ask you for the number (or type) of speakers you have and then select the **Test** button.

After the test, select whether or not you heard sound coming from all your speakers and select **Next** to continue. If the test was successful, you're done! If not, Media Center will provide you with additional setting options.

Installation Note: For the best possible sound, use the HDMI cable (if possible) when connecting your speakers.



Configure Your TV or Monitor

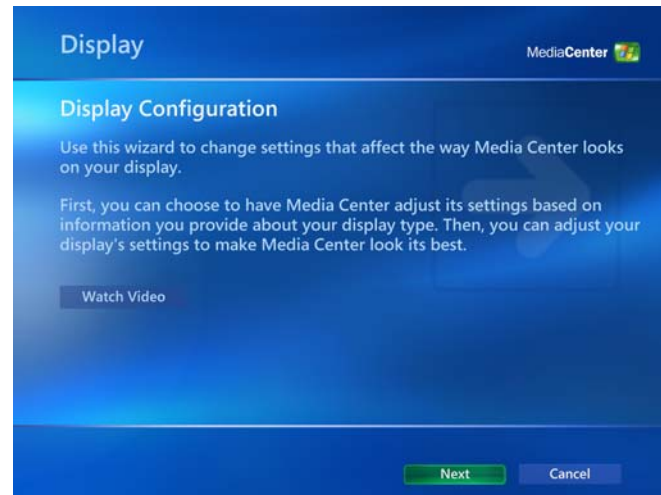
Start Menu | Settings | Media Center Setup

Configure Your TV or Monitor Settings

Media Center makes it easy to set up your TV or monitor for viewing. Just read the on-screen information and answer a few questions—Media Center does the rest!

Select **Watch Video** or **Next** to continue.

A video is provided that contains additional information on setting up your display and improving the quality of your video viewing.



Set Up The Remote

Start Menu | Settings | Media Center Setup

Set Up The Remote Desktop

Media Center makes it easy to set up your Remote Desktop. For each step, read the on-screen information and answer a few questions—Media Center does the rest!

Select **Next** to Continue.



Automatic Updates

Start Menu | Settings | Media Center Setup

Automatic Updates

Media Center can help you keep your computer secure and running efficiently by automatically downloading and installing critical updates from Microsoft.

You should also continue to check for additional software and driver updates on a regular basis by selecting **Windows Update** from the **Start | All Programs** menu.



Use the arrow keys on your remote control to move the **Yes** or **No** option. Press the **OK** button to select the option. Select **Next** to continue.

Join Wireless Network

[Start Menu](#) | [Settings](#) | [Media Center](#)

Join Wireless Network

The advanced features of Media Center and the Living Room Entertainment Computer personal computer let you easily connect to an existing wireless local area network.

Media Center will guide you through a series of screens that provide step-by-step instructions for connecting to your network.



Important Note: You must already have a working wireless local area network to use this feature. Selections made on these screens may overwrite your existing wireless network settings. Please follow the on-screen instructions carefully.

Run Media Center Setup Again

Start Menu | Settings | Media Center Setup

Run Media Center Setup Again

The first time you started Media Center, you were guided through a series of screens that helped you set up Media Center.

To go through the entire set up of Media Center again—screen by screen, select **Yes**.

You will be guided through two sections: **Required Setup** (checks for components like networking and Internet) and **Optional Setup** (advanced settings and features).

Select **Next** to Continue.



Restore Start Page Defaults

Start Menu | Settings | Media Center Setup

Restore Start Page Defaults

During the course of working with various software programs and many different types of entertainment components, you might find it advantageous or necessary to restore the **Start** page defaults.

Doing this will remove any changes you may have made to the **Start** menu and restore it back to its original state.

Selecting **Yes** or **No** is the only action available for this option. Selecting **Yes** will automatically restore your **Start** page to its default settings.



Parental Controls

Start Menu | Settings | General

Parental Controls

Media Center provides a process by which selected programs can be blocked from viewing. The first time you enter Parental Control, you will be asked to enter, and then confirm a new four digit access code. Once complete, you will be given access to the following parental controls:

TV Ratings	If you turn on TV blocking, you can then select allowable TV ratings for viewing, and by selecting Advanced , you can choose more restrictive rating than TV-MA for specific types of content.
Movie/DVD Ratings	If you turn on movie blocking, you can then select the maximum allowed movie rating for viewing.
Change Access Code	To change the access code, enter and then confirm a new code. You must be logged on as Administrator .
Reset Parental Controls	Resets the Parental Control back to the default settings.

Use the arrow keys on your remote control to move to the buttons for each option. Press the **OK** button to select (add a check mark) or deselect (remove a check mark). When finished, select **Save**.

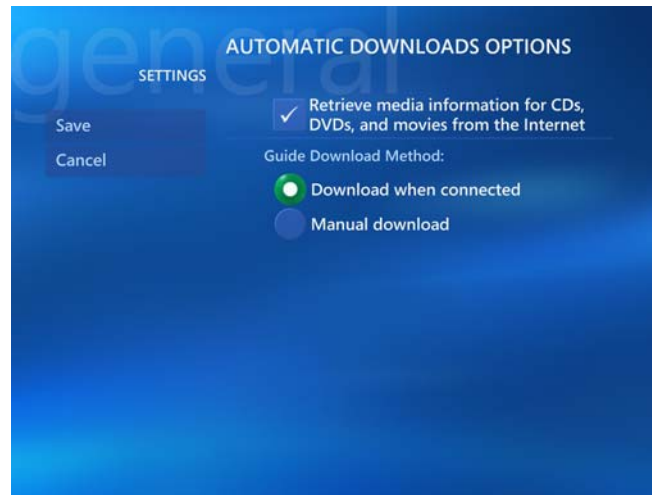
Automatic Download Options

Start Menu | Settings | General

Automatic Download Options

With Media Center and your Internet connection, you can view media information for your CDs, DVDs, and movies. Learn interesting new details about the music and movies you listen to and watch.

You also have the option to download Guide information automatically every time you start your computer, or you can choose to download manually.



Use the arrow keys on your remote control to move to the buttons for each option. Press the **OK** button to select (add a check mark or dot) or deselect (remove a check mark or dot). When finished, select **Save**.

Optimization

[Start Menu](#) | [Settings](#) | [General](#)

Optimization

The **Optimization** feature is designed to help you keep your system running efficiently and smoothly.

Select the **Perform Optimization** check box and then select the plus (+) or minus (-) options to set a schedule time.

You might want to set the **Optimization** schedule to run when you are certain you will not need to access Media Center.

For additional information, go to Media Center help.

About Media Center

Start Menu | Settings | General

About Media Center

About Media Center provides you with information concerning the version of Media Center that you are currently using, and Internet connections to the Guide Terms of Service from your TV signal provider, and Data Provider Credits.

Simply select an option to view the information.



Use the arrow keys on your remote control to move to the About Media Center menu button of your choice. Press the **OK** button to view your selection. When finished, select **Save/Done** or the **Back** button.

Privacy Settings

Your privacy is very important to us. You can view Media Center and Guide privacy statements in detail directly from the vendor with your Internet connection.

You can also use the Guide and an Internet connection to anonymously send information to Microsoft for the purpose of improving the quality and accuracy of services.



Use the arrow keys on your remote control to move to the **Privacy** menu button of your choice. Press the **OK** button to view your selection. When finished, select **Save/ Done** or the **Back** button.



TV

Recorder	33
Guide	37
Set Up the TV Signal	42
Configure Your TV or Monitor	43
Audio	44

You can control your TV entertainment experience. Each of these options allow you to set up TV viewing preferences to make sure you get the most out of your TV viewing.

- Record shows for viewing at a later date.
- Locate a show and review a brief description.
- Connect your TV signal and set up your TV or monitor with ease.
- Set preferences for your sound system.

Recorder

[Start Menu](#) | [Settings](#) | [TV](#)

Recorder

— History	34
— Recorder Storage	35
— Recording Defaults	36

The **TV Recorder** options provide you with:

- a complete history of recorded shows.
- the location, limit, and quality of recorded shows.
- general programming defaults.

Please note the following:

IMPORTANT: Sony supports the lawful use of technology and does not endorse or encourage the use of our products for purposes other than those permitted by copyright law.

TV programs that have been encrypted (protected) by the broadcaster cannot be copied and played back on any player other than the one recorded to.

History

[Start Menu](#) | [Settings](#) | [TV](#) | [Recorder](#)

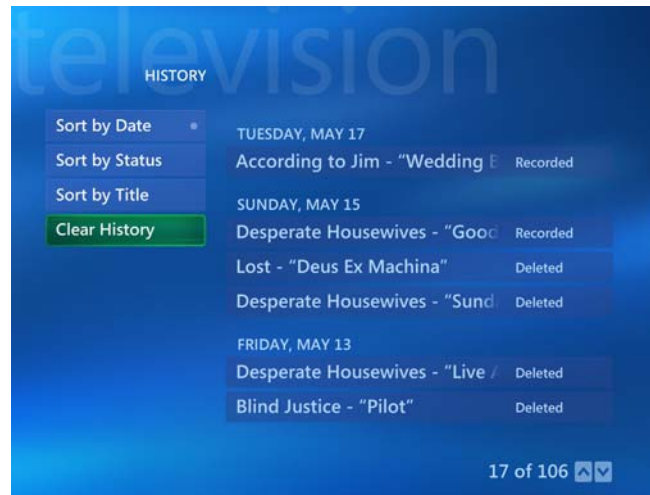
History

Media Center stores a complete history of all recorded programming. Information such as the recording date, name of the program and the current status is stored.

The list can be sorted by **Date**, **Status**, and **Title**.

The information for every recording remains in the list until you select **Clear History**.

Use the arrows on your remote control to move to the menu options and each recorded program in the history list. Press the **OK** button to perform a menu command or to view status information about the selected show.



Recorder Storage

Start Menu | Settings | TV | Recorder

Recorder Storage

Media Center provides you with complete information about where and how your recorded programs are stored. You also have the ability to manage that information and make changes, if necessary.

The **Available recording time** graph moves in relation to the **Maximum TV limit** selection.



Use the arrow keys on your remote control to move to the (+) or (-) buttons associated with the option of your choice. Press the **OK** button to change the option. When finished, select **Save**.

Recording Defaults

Start Menu | Settings | TV | Recorder

Recording Defaults

Media Center lets you create a list of defaults or conditions that determine the actions Media Center takes with your recorded programs. There are also specific defaults or conditions that are specific to the recording of a TV series.



Use the arrow keys on your remote control to move to the (+) or (-) buttons associated with the option of your choice. Press the **OK** button to change the option. When finished, select **Save**.

Guide

Edit Channels	38
Add Missing Channels	39
Set Up Guide Listings	40
Additional Guide Information	41

The Media Center Guide gives you the control you need to manage your TV channels and your TV guide listing.

View a channel listing from your TV signal provider where you can add, remove, and even rename channels.

Have Media Center automatically download new listings every time you start Media Center, or download the guide listings at your convenience.

Media Center puts you in control!

Edit Channels

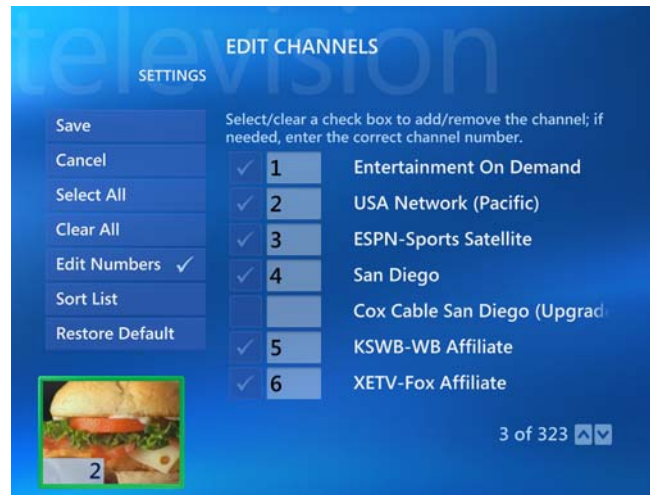
Start Menu | Settings | TV | Guide

Edit Channels

With Media Center, you can control what channels you and your family can access. Once you select **Edit Channels**, a list of channels from your TV signal provider displays on your screen.

From here you can add, remove, and if needed, correct a channel number. If something goes wrong, simply select **Restore Default** to return the channel list to its original state.

Use the arrow keys on your remote control to move to the buttons for each option. Press the **OK** button to select (add a check mark) or deselect (remove a check mark) a channel. Use the keypad to change the channel number, if necessary. When finished, select **Save**.



Add Missing Channels

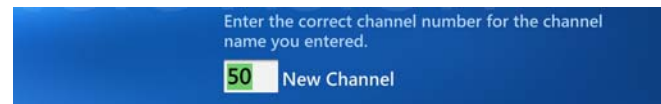
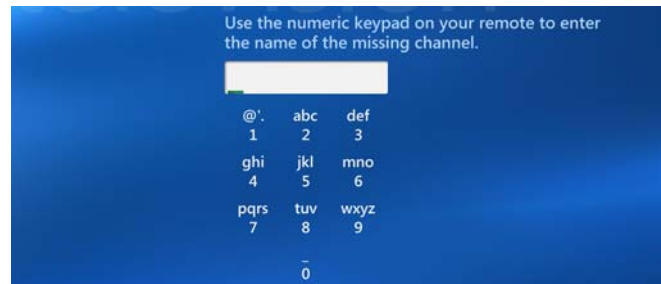
Start Menu | Settings | TV | Guide

Add Missing Channels

If for any reason you need to add a channel to your list of available channels, you can do so through **Add Missing Channels**. For example, you previously deleted a channel and now want to add it back.

Simply select **Add Channel** and then enter the channel name. Then select **Next** and enter the channel number. Finally select **Done**. Your added channel will be listed on the **Add Missing Channels** first screen.

Use the arrows on your remote control to move to a menu option and press the **OK** button to make your selection. Use the numeric keypad to enter a channel name and number. When finished, select **Done**.



Set Up Guide Listings

Start Menu | Settings | TV | Guide

Set Up Guide Listings

Media Center makes it easy to set up to download and view your **TV Program Guide**. Just read the on-screen information and answer a few questions—Media Center does the rest!

Media Center will ask you:

- If you want to use the **Guide**
- if you agree with the **Guide Terms of Service**
- for your **ZIP Code**

Then, Media Center will locate and download your TV Program Guide.



To get started, Select **Next**.

Additional Guide Information

To immediately download **TV Program Guide** listings, select

Get Latest Guide Listings

To download and view **Guide Terms of Service**, select

Guide Terms of Service

To download and view **About Guide Listings**, select

About Guide listings

Use the arrow key on your remote control to move to a menu option and press the **OK** button to select the option.

Set Up the TV

Start Menu | Settings | TV

Set Up the TV Signal

Media Center makes it easy to set up your TV Signal for viewing. Just read the on-screen information and answer a few questions—Media Center does the rest!

As you answer the questions and progress through the screens, you are required to **Confirm Your Region** and decide whether to use **Automatic TV Signal Setup** (recommended) or complete a **Manual Setup**.



If you are notified that Media Center cannot detect a TV signal, you cannot watch or record TV. Please go to Media Center **Help** for additional instructions.

Configure Your TV or Monitor

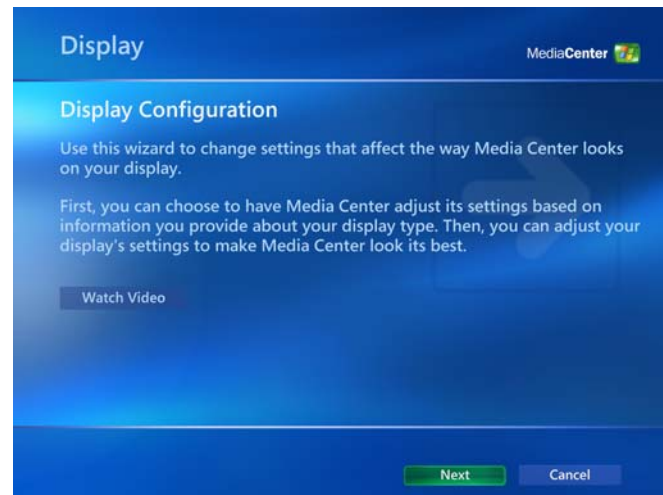
Start Menu | Settings | TV

Configure Your TV or Monitor

Media Center makes it easy to set up your TV or monitor for viewing. Just read the on-screen information and answer a few questions—Media Center does the rest!

A video is provided that contains additional information on setting up your display and improving the quality of your video viewing.

As you answer the questions and progress through the screens, you are required to **Identify Your Display Type**, identify your **Connection Type**, decide how to **Optimize Media Center for your Display**, and **Adjust your Display Settings**. From here, select **Adjust Display Controls**, then select **Next** to view the screen **Display Calibration**. Here you can adjust the characteristics of your TV or monitor.

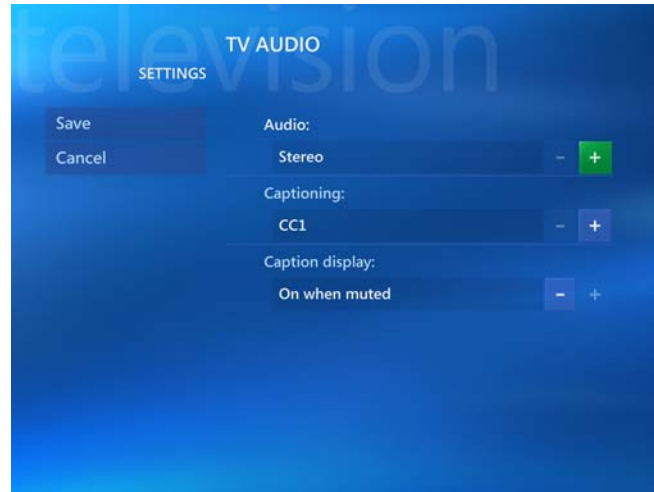


Audio

Start Menu | Settings | TV

Audio

With Media Center, you can set up options, such as **Audio** (Stereo,SAP), **Captioning** (CC1, CC2) and **Caption Display** (On, Off, On when muted) that affect your TV viewing.



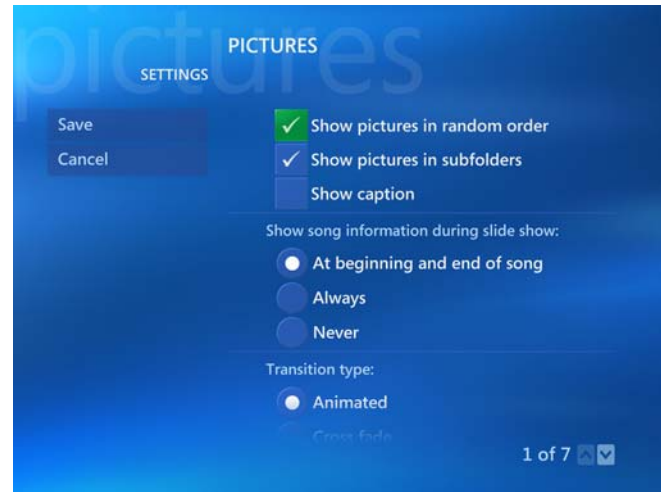
Use the arrow keys on your remote control to move to the **Audio**, **Captioning**, or **Caption Display** (+) or (-) buttons. Press the **OK** button to change the TV audio selection. When finished, select **Save**.



Pictures

Gain complete control over how you view your digital pictures.

- Choose to view your pictures in order or randomly.
- Choose to show pictures in sub folders or the main folder.
- Choose to view picture captions.
- Choose a slide transition type.
- Choose to add animation when viewing your pictures



Once you decide how you want to view your pictures, select the appropriate buttons. Use the arrows on your remote control to move to the desired option, then press the **OK** button. When finished, select **Save**.



Music

Visualizations	47
Visualizations Options	48

With Media Center, you can add a visual component to your listening pleasure with Visualizations.

Visualizations are visual interpretations of an artist's music that plays on your TV or computer screen while you listen to the music.

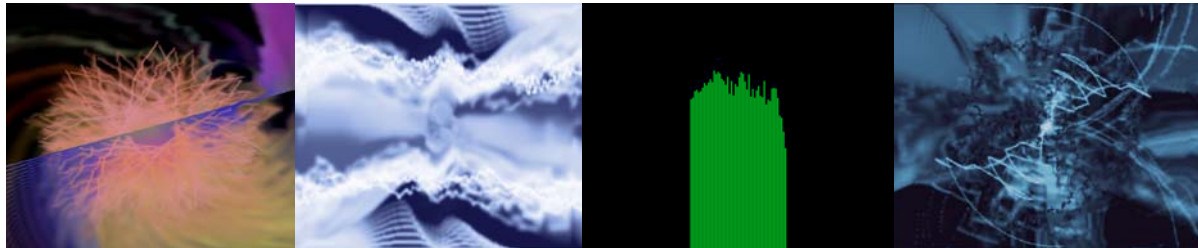
To enjoy **Visualizations** while you are listening to your favorite music, select one or more viewing samples from the **Visualizations** page, and then make your selections from the **Visualization Options** page.

Visualizations

[Start Menu](#) | [Settings](#) | [Music](#)

Visualizations

To enhance your music enjoyment, Media Center provides eight different visual interpretations of the musical performance.

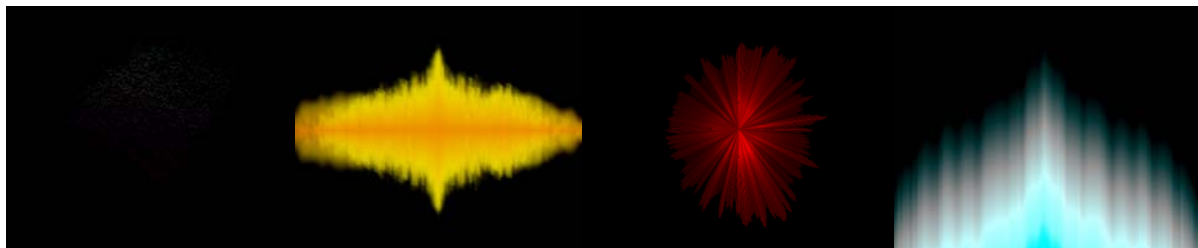


Alchemy

Ambience

Bars and Waves

Battery



Particle

Plenoptic

Spikes

Musical Colors

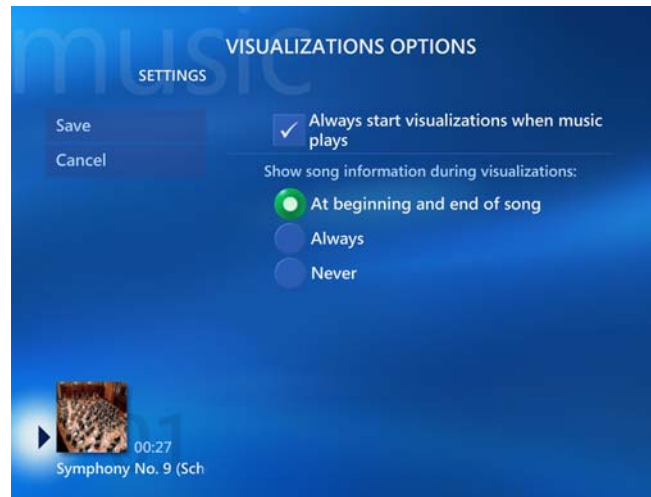
Visualizations Options

Start Menu | Settings | Music

Visualizations Options

Media Center “Visualizations” are visual interpretations of an artist’s music that play on your TV or computer screen while you listen to the music.

You decide if you want the visualizations to start when the music plays, and if song information can be viewed during the visualizations.



Once you decide on your visualizations and how they are viewed, select the appropriate buttons. Use the arrows on your remote control to move to the desired option, then press the **OK** button. When finished, select **Save**.



DVD

DVD Language	50
DVD Audio	51
Close Captioning	52
Remote Control Options	53

Media Center gives you the control to determine how best to create your cinematic experience.

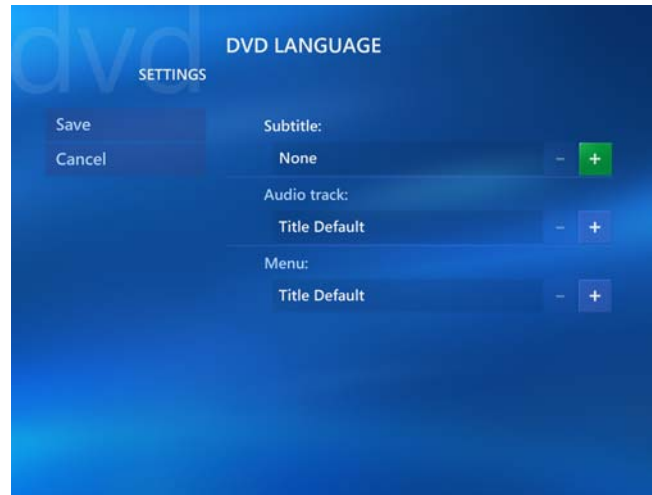
Enhance your experience by selecting from these four topics that allow you to choose and define how to view your DVD movies.

DVD Language

Start Menu | Settings | DVD

DVD Language

When viewing a DVD, Media Center give you the option of changing the language for subtitles, the audio track, and menus. Choose from a list of 70 different languages, or select **Title Default** to play the DVD in the original language it was created in.



Use the arrow keys on your remote control to move to the **Subtitle**, **Audio track**, or **Menu** (+) or (-) buttons. Press the **OK** button to change the language selection. When finished, select **Save**.

DVD Audio

Start Menu | Settings | DVD

DVD Audio

Imagine yourself fully immersed in rich Dolby® Digital surround sound—not in a theatre, but in your home. Sony, InterVideo, and your Dolby Digital sources for sound bring the theatre experience to your living room.

Media Center and InterVideo helps you set up your speakers and environment to fully create the cinematic experience.



Note: You must have a multi-channel sound system to experience this feature.

Select **Configuration** to set up your speakers and channel mode, and select **Environment** to choose your listening experience (**Theatre**, **Normal**, **Late Night**).

Close Captioning

Start Menu | Settings | DVD

Close Captioning

Media Center gives you the option of adding closed captioning to your DVD viewing.

Enjoy DVD movies with those who are hearing impaired, or when sound in your environment becomes a viewing factor.

You can choose the type of captioning (**CC1** or **CC2**), and how the captions display (**On**, **Off**, or **On when muted**).

Use the arrow keys on your remote control to move to the **Captioning** or **Caption Display** (+) or (-) buttons. Press the **OK** button to change the selection. When finished, select **Save**.

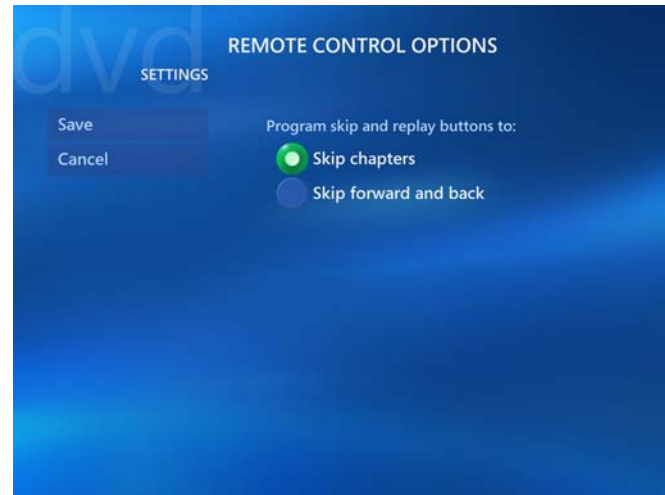


Remote Control Options

Main Menu | Settings | DVD

Remote Control Options

When watching your favorite DVD's, you might want to watch only certain parts of a movie or skip forward or backward to locate a specific scene. Media Center makes this easy. You can set your remote control to skip chapters and skip forward and back, giving you the control and flexibility to watch exactly what you want to.



For detailed information about these settings, select [Help](#).

Once you decide on your remote control options, select the appropriate buttons. Use the arrows on your remote control to move to the desired option, then press the **OK** button. When finished, select **Save**.

For additional information on using your remote control, go to the chapter titled [Getting Started](#).



Media Center

Start Menu | Settings

Messenger and Caller ID Settings

Enjoy Media Center and keep in contact with friends and family. You can sign in or sign out of Messenger at any time while in Media Center. You can also:

- Turn on and off the **Do Not Disturb** mode.
- Switch between Messenger conversations.
- Turn off Messenger sounds.



Once you decide your options, select the appropriate buttons. Use the arrows on your remote control to move to the desired option, then press the **OK** button.



Help

Windows Media Center is very easy to use when you follow the on-screen instructions. However, when you do need additional information, Media Center provides you with four areas of assistance.

Media Center Help

Community Forums

Latest Tips

Help with your Hardware



Please visit each of these areas and experience the quality assistance Media Center provides to you and your family.

Additional Help

[Start Menu](#) | [Settings](#) | [Help](#)

You can access Media's Center's Help areas by the following methods:

Remote Control - Press the **More** button, select **Settings**, then **Help**.

Remote Mouse - Move the Mouse to activate the Media Center tool bar, which appears at top of the screen. Then click the **Help** icon.

Helpful Hints

Windows® Updates

Remember to check regularly for Windows updates to keep the operating system updated with the latest software releases and security updates.

To start the Windows Update utility, connect to the Internet, click **Start**, **All Programs**, then click **Windows Update**. The Windows Update Web site opens. Follow the on-screen instructions.

VAIO® Updates

Sony Support provides updates designed specifically for your computer. All you need to do is go to Sony's Internet support site and enter the model number of your computer.

Support Internet Sites

Windows Updates

<http://microsoft.com/windowsxp/media-center/>

VAIO Link

<http://www.vaio-link.com/>

Contact Sony Support

Internet Support

<https://e-support.vaio-link.com/eSupport/PortalJSP/Portal.jsp>

Customer Support

<http://www.vaio-link.com/contacts/contacts.asp?l=en>

SONY®



Media Center

Start Menu

Media Center Features

Experience Media Center	60
My DVDs	62
Online Spotlight	65
My Videos	66
My Pictures	73
My TV	81
My Music	93
Create DVD	98
More Programs	100

VAIO personal computers equipped with Microsoft® Windows® XP Media Center Edition 2005 lets you experience the new and exciting world of digital home entertainment. Experience movies, TV, music, and photos like never before.

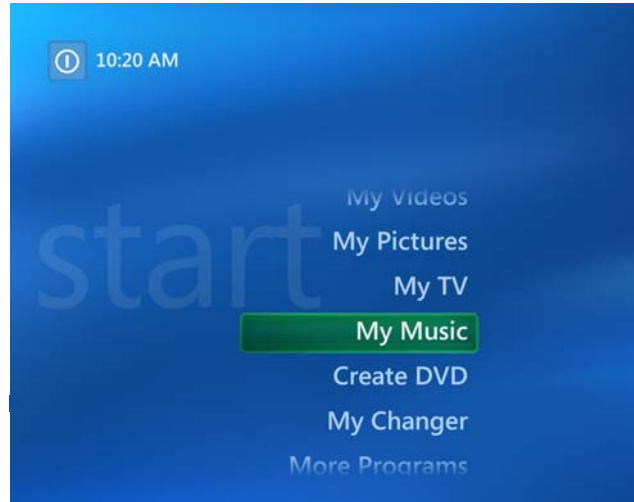
Combine the easy to use, yet powerful features of VAIO, and you can enjoy an even more dynamic entertainment experience.

Note: For information not shown in this guide, go to [Media Center Help](#).

Experience Media Center

Review the following list for a high-level overview of the exciting features in Media Center.

For in-depth information about each feature, go to the specific topic in this book or to the Media Center help file.



My DVDs

View all the DVDs in your media library. Select a DVD to view programming information or to watch.

Online Spotlight

The Online Spotlight provides Internet access to the latest entertainment news and events.

My Pictures

You can categorize your pictures in as many folders as you wish. Then, select a group to view a single picture or a slide of all pictures in the folder.

My TV

Take control of your TV viewing experience. Watch live TV or record your favorite show for later viewing.

My Music

Enjoy access to all the music stored on your hard drive. Organize, locate, and play your favorite music files in Media Center.

Create DVD

Create DVDs from your favorite recorded TV series. Select only the episodes you want to burn to DVD.

Settings

Review this section carefully to get the most out of your digital entertainment experience.

My Videos

Watch digital videos that you've previously loaded in a folder on the hard disk drive recognized by Media Center.



My DVDs

DVD Movie Controls

63

Helpful Hints

64

Watching DVD movies in Media Center lets **you** take control of your movie experience.

Sit back and use the remote control to play, pause, rewind, fast forward, stop, and even eject your DVD movie.

DVD Movie Controls

Start Menu | My DVD

Media Center offers you the flexibility of using the remote control, or keyboard and mouse commands to simplify your DVD movie watching experience.

If you are enjoying the TV, Video, or Music options in Media Center and wish to view a DVD movie, simply insert the DVD and the following image appears.



Using your remote control, select **Play DVD**. Your movie automatically begins to play in full screen mode.

If you stop your movie using the remote control, the following options appear:

Resume	Continues playing from the stopping point.
Restart	Restarts the DVD movie from the beginning.
Title Menu	Returns to the DVD movie's title or beginning menu.
DVD Languages	Select the language preference for the Subtitle, Audio track, and Menu for the DVD movie.
Eject	Ejects the DVD movie.

Helpful Hints

Resize the Viewing Screen

You can watch your DVD movie in a small viewport screen, which allows you access to other areas of Media Center, by pressing the **Windows** button on your remote control.

If you want to work and watch your DVD movie and the same time, move your mouse for the Windows resize buttons to appear. Select the **Resize** button.

Change DVD Languages

Change the language that your DVD movie displays for subtitles, the audio track and menus. If the movie is playing, press Stop on the remote control and then select DVD Languages. Select the **+** or **-** buttons to choose a language.

You can also change the DVD languages in Media Center. Go to **Start | Settings | DVD**.

More Movie Information

View additional information about the DVD movie you are watching by pressing the **MORE INFO** button on the remote control.

Information includes title, chapter title, genre, parental rating, length and current position.

Additional Settings for DVD Viewing

For these additional settings that can enhance your movie viewing, go to **Start | Settings | DVD**.

- Audio
- Closed Captioning
- Remote Control Options



Media Center

Start Menu | Online Spotlight

Online Spotlight

Media Center and Online Spotlight provide you direct access to various Internet entertainment sites. You can view the sites by category by selecting a menu option.

Use the arrows on your remote control to move to a site button. Information about the site displays below the list. To select the site, press the **OK** button.





My Videos

Organize Your Videos	67
Play Your Videos	68
More Information	69
Create a DVD/CD	70
Import/Edit Video	71
Helpful Hints	72

Watch your home movies and digital videos stored on your hard disk drive using the Media Center remote control or your keyboard and mouse. View the videos in full screen mode, within a window, or from a viewport window.

Organize, store, and play videos stored on your hard drive that you have created, downloaded from the Internet, or recorded from TV.

Share your video files with others by creating DVDs or CDs.

Organize Your Videos

Start Menu | My Videos

With Media Center, it is easy to store and organize videos that you have created with your digital camera, digital recorder, or downloaded from the Internet.

For you to view your videos in Media Center, the files must be stored in a location that Media Center looks in.

To view videos in **My Videos**, first copy and organize the files into the **My Videos** or **Shared Video** folder.

In the **My Videos** folder, you can create new folders or copy in other folders to better organize your files.

If you are connected to a home network and wish to share your video files with others, copy the files to the **Shared Video** folder.

If a video file is downloaded or stored in a folder other than **My Videos** or **Shared Videos**, you can add that folder(s) to the folder list that Media Center looks in.

From your remote control, press the **More Info** button, or if you are using your mouse, right-click anywhere in **My Videos** to view this menu. Select **Add Videos** and follow the on-screen instructions.

Play Your Videos

Start Menu | My Videos

With Media Center, it is easy to select and play a video stored anywhere on your hard drive. You can view your videos in full screen, windowed, or in a viewport window. Viewing from a viewport window gives you access to your computer or the Internet outside of Media Center.



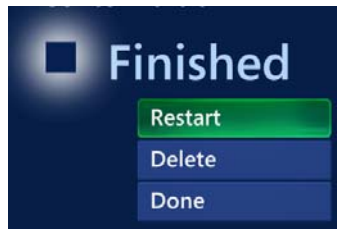
To view a video, do the following using your remote control:



- 1 Press the **My Videos** button.
- 2 Select the folder where the video is stored and press **OK**.
- 3 Select a video and press **OK**.

The video you selected will begin to play automatically.

When the video is finished playing, the following menu appears:



Restart: Restarts the video from the beginning.

Delete: Deletes the video from your computer.

Done: Returns you to your video list.

More Information

Start Menu | My Videos

In Media Center, it's easy to find out more information about any digital video in your library. It doesn't matter if you just want to see the information before you watch it, or if you're already watching the video.

Use the arrow keys on your remote control to move to a video icon button. Press the **OK** button to select the video. From here, you can press the **OK** button again, or press **MORE** and select **View Details**.

If are already watching a video, simply press the **MORE** button on your remote control.

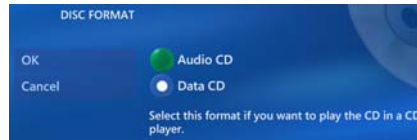
You can view the following video information:

- Thumbnail of the cover, if available
- Video title
- Video description
- Date the video was last created or modified
- Video length. (h:mm:ss format)

Create a DVD/CD

Start Menu | My Videos

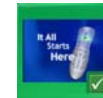
With Media Center, it is easy to copy your digital videos to a CD or DVD for safe keeping or to share with family and friends. Select a video, and then select **Create CD / DVD**. Media Center will then take you through a series of screens, which contain simple instructions to assist you in performing such tasks as:



Select your disc format. Make sure you select the **Data CD/ DVD** format.



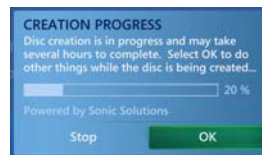
Give your video disc a title.



You can Select **All Videos** or only the ones you want.



View CD / DVD information.



When you have finished your choices, select **Create CD**, then select **Yes** for **Initiate Copy**.

You can view the creation progress and when complete, select **Finish**. Use the remote control arrows and **OK** button to make your selections.

Note: You must insert a blank CD/DVD before starting **Create CD/DVD**.

Helpful Hints

Resize the Viewing Screen

You can watch your DVD movie in a viewport screen, which allows you access to other areas of Media Center, by pressing the **Windows** button on your remote control.

If you want to work and watch your DVD movie at the same time, move your mouse for the Windows resize buttons to appear. Select the **Resize** button.

Playing from an External Source

Media Center allows you to play video off a disc, from an external storage device, or off a network drive.

Change Display View Quality

You can adjust your TV and monitor from **Settings | General | Media Center Setup | Configure Your TV or Monitor**. Just follow the on-screen instructions.

Separate My Videos Folders

If you set up multiple users on your computer, each user will have a separate **My Videos** folder that can only be opened by that user and a **Shared Videos** folder for sharing your videos with others.

Supported File Types

Windows Media file - .wm, .asf

Windows Media A/V - .wmv,

Video file - .avi

Movie file - .mpeg, mpg, mpe, .mp1, mp2, mpv2



My Pictures

Organize Your Pictures	74
View Your Pictures	75
Edit Your Pictures	76
Play a Slide Show	77
Create a CD/DVD	78
Picture Details	79
Helpful Hints	80

Media Center makes it easy and fun to look at your digital photos. From **My Photos** you can:

- View your pictures individually or as a slide show.
- Edit, organize and sort your pictures by name or date.
- Share your pictures with others
- Create CDs or DVDs
- Print your pictures
- Protect your digital images

Organize Your Pictures

Start Menu | My Pictures

Using **My Pictures** in Media Center, it is easy to store and organize pictures that you have created with your digital camera or downloaded from the Internet.

For you to view your pictures in Media Center, the files must be stored in a location that Media Center looks in.

First, copy and organize the image files into the **My Pictures** or **Shared Pictures** folder.

In the **My Pictures** folder, you can create new folders or copy in other folders to better organize your files.

If you are connected to a home network and wish to share your video files with others, copy the files to the **Shared Pictures** folder.

If an image file is downloaded or stored in a folder other than **My Pictures** or **Shared Pictures**, you can add that folder(s) to the folder list that Media Center looks in.

From your remote control, press the **MORE INFO** button, select **Add Pictures** and follow the on-screen instructions.

When you save pictures from your digital camera or scanner, Windows automatically stores them in the **My Pictures** folder.

View Your Pictures

Start Menu | My Pictures

With Media Center, it is easy to select and view digital images stored in **My Pictures** or anywhere else on your hard drive. Before opening Media Center and viewing your pictures, you may want to spend some time in Windows Explorer organizing your pictures by creating various subject folders in the **My Pictures** folder.

Use the arrows on the remote control to move to a menu option or a picture folder.



Press **OK** to open a folder and view thumbnails of your pictures. Move to the picture you want to view and press **OK** again. Press **BACK** to return to the list of thumbnails.

Edit Your Pictures

Start Menu | My Pictures

Picture Details: Edit Your Pictures

It's easy to edit your pictures directly in Media Center's My Pictures. Use the arrow keys on the remote control and move to a picture. Press **MORE INFO** and then select **Picture Details**. From here you can:

Rotate 

Rotates picture
45 degrees.



Touch Up

If you select **Touch Up**, you can then choose the following:

Red Eye

Automatically removes red eye from people and pets.

Contrast

Automatically sharpens the contrast or clarity of your picture.

Crop

The following tools are provided:

Shifts crop box in the direction of
the selected arrow.



Zooms picture in and out.



Shifts orientation of a picture.

Play a Slide Show

Start Menu | My Pictures

Instead of viewing your digital pictures individually, why not add some fun. It's easy to create a slide show and even add background music.

From **Settings | Pictures**, you can customize the settings for picture and song captions, transition type and length, background color, how pictures are displayed, and what pictures display.

Use the arrows on your remote control to select a folder, single picture or **Play Slide Show**

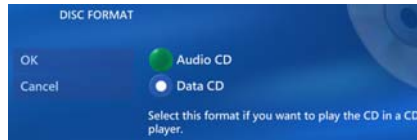


Press the **OK** button to select your option. For more information, see [Helpful Hints](#).

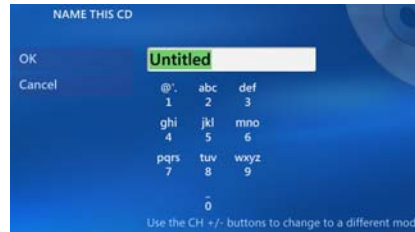
Create a CD/DVD

Start Menu | My Pictures

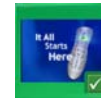
With Media Center, its easy to copy your digital pictures to a CD or DVD for safe keeping or to share with family and friends. Simply select or open a picture folder, and then select **Create CD / DVD**. Media Center will then take you through a series of screens, which contain simple instructions to assist you in performing such tasks as:



Select disc format. Make sure you select the **Data CD/DVD** format. **Data DVD** also lets you create a DVD slide show.



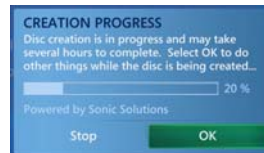
Give your picture disc a title.



You can Select **All Pictures** or only the ones you want.



View CD / DVD information.



When you have finished your choices, select **Create CD**. Then select **Yes** for **Initiate Copy**.

You can view the creation progress and when complete, select **Finish**. Use the remote control arrows and **OK** button to make your selections.

Picture Details

Start Menu | My Pictures

In Media Center, it's easy to find out more information about any digital picture in your library.

Use the arrow keys on your remote control to move to a picture icon button. Press the **OK** button to select the picture. From here, you can press the **OK** button again, or press **MORE** and select **View Details**.

If are already viewing a picture, simply press the **MORE** button on your remote control.

You can also edit your pictures within Media Center. See the next page **Picture Details: Editing your Pictures**.



You can view the following picture information:

- Picture title
- Folder name, if stored in a folder
- Date the picture was created or modified
- Picture resolution

Helpful Hints

Picture Zooming and Panning

Select a picture from My Pictures.

Press **OK** once to magnify 150%.

Press **OK** again to magnify 225%.

Now you can use the arrows to pan around the picture.

Press **OK** again to return the picture to its original size

Adding Music to a Slide Show

Select music from your Media Library. Play a CD or select a Playlist.

Use the remote control to open **My Pictures** and select the picture folder you want to watch as a slide show.

Select **Play Slide Show**. Press **OK**.

Printing Pictures in Media Center

Start Media Center and from My Pictures, select the pictures you want to print.

Press the **MORE** button and then select **Pictures Details**.

Select **Print** and then select **Print** again.

Follow any on-screen instructions.

Supported File Types

Joint Photographic Experts Group - .jpg, .jpeg

Tagged Image File - .tif

Graphics Interchange Format - .gif

Bitmap - .bmp

Windows Meta File - .wmf

Portable Networks Graphics - .png



My TV

Watch Live TV	83
View the Guide	84
Guide Helpful Hints	85
Record and Schedule Programs	86
Record and Schedule Helpful Hints	87
Watch Recorded Programs	88
Search for a Program	89
Search for a Feature Movie	92

Watching your favorite TV program or movie in Media Center puts you in complete control of your viewing experience.

What do you want to do? Media Center makes it easy to locate, watch, or record your favorite TV program, sporting event, or movie.

And best of all, you can do all of this directly from your VAIO® computer and a TV signal connection.

My TV Features

Live TV	Watch your favorite TV show or movie LIVE. Use the Media Center buffer feature to pause, rewind, fast forward, or continue viewing your live program in progress. Use the MORE INFO button on the remote control to display TV show information.
Recorded TV	Record any TV show or program for later viewing. Plus, view a list of recorded programs by date or title, a list of programs scheduled to be recorded, play a recorded program, find out why a program wasn't recorded, or add a TV recording.
Guide	Download a listing of current television programming from your local television service provider. Set Media Center to automatically update the program guide, or manually update whenever you are connected to the Internet.
Search	Quickly find a TV program or a series to watch or record by entering a descriptive word, program title, or program category.
Movies	Go online to find movies on TV to watch now or later. Get the latest movie information, read reviews, see cast lists, find other times the movie is broadcast, browse for related movies, and find other movies with the same cast members.

Watch Live TV

Start | My TV

Watch live TV or record your favorite shows to view later. Use the Guide to find the show you want to watch or record.

When you watch live TV, Media Center continuously captures 30 minute increments of the program. This enables you to rewind, replay, and fast forward in a TV program. This TV programming buffer is temporary and is not saved.

To view TV, press **LIVE TV** on your remote control or select the **LIVE TV** menu option.



Note: You can watch TV in full screen, windowed, or in a viewport window.

View the Guide

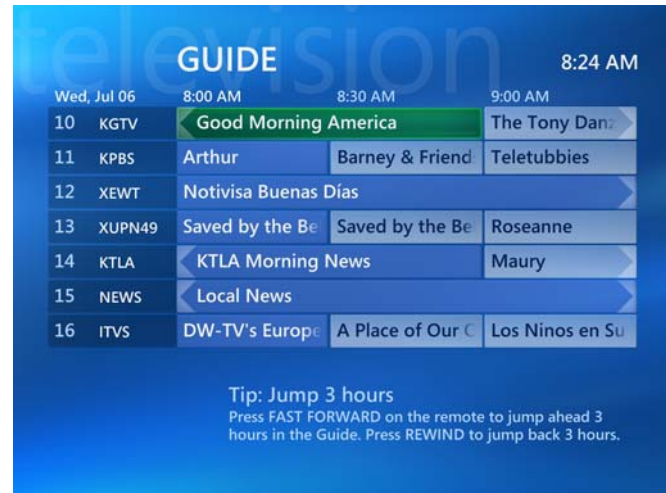
Start Menu | My TV

The Guide displays TV channel and program information, including titles, descriptions, categories, ratings, and program times.

You can view and scroll through the list of current and future TV shows in the Guide. When you select a program, information about the program displays below the program listings.

You can choose to have Media Center download the Guide from your local provider automatically, or download updated information yourself.

You can view the Guide listings at any time by pressing the **Guide** button on your remote control. Use the arrows to move to a show time, and use the **CHAN/PAGE (+/-)** buttons to move to any available channel. Press the **OK** button to select a program. Press the **MORE** button to view program details or record the program.



Guide Helpful Hints

Important Information

Guide data may not be available in all countries or regions. Please consult your local TV signal provider.

Make sure you are connected to the Internet and check your TV signal and guide settings in the Settings menu.

Removing Channels from Guide

From Media Center, select **Settings**, **TV, Guide**, and then **Edit Channels**.

Follow the on-screen instructions to remove channels from the Guide listing.

Add Missing Channels

From Media Center, select **Settings**, **TV, Guide**, and then **Add Missing Channels**.

Select **Add Channels** and enter the name of the missing channel.

Enter the correct channel number and select **Add**.

Repeat to add all missing channels.

Select **Done** when complete.

Downloading the Guide

Automatically - Determine settings for retrieving information for media and Method of Download for the Guide. From Media Center, select **Settings**, **General**, and then **Automatic Downloads Options**.

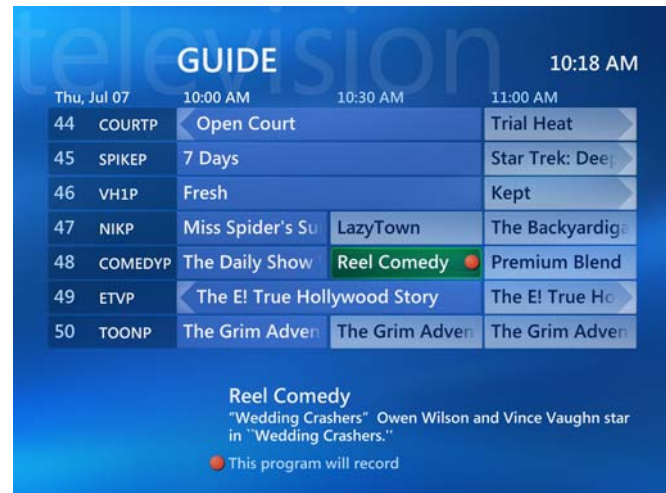
Manually - From Media Center, select **Settings**, **General**, **TV, Guide**, and then **Get Latest Guide Listings**.

Record and Schedule Programs

Main Menu | My TV

Media Center lets you record the program you are watching, one scheduled to broadcast later, or a recurring program series.

To verify your program is being recorded, select **My TV**, **Recorded TV**, and then select **Scheduled**. The **Record** icon appears next to the program while you are recording.



- Record the program you are watching by pressing **REC** on the remote control.
- Record from the Guide by selecting a program, then select **Record**.
- Record from the **Search** menu, which allows you to define search criteria.
- Record manually by selecting **Add Recording**, then select **Channel and Time**. The **Add Recording** button shows when no other recordings are scheduled.

Record and Schedule Helpful Hints

Standby Mode and Scheduled Recordings

Media Center will continue to record your scheduled TV shows even if you place the computer in standby or in hibernation state. The recording of TV shows will also continue even if Media Center is closed.

Set Up Recording Preferences

From Media Center, select **Settings**, **General**, **TV**, and then **Recorder**. From Recorder you can define or change settings for **History**, **Recorder Storage**, and **Recording Defaults**.

Copying Recorded Programs to DVD or CD

If you would like to copy or archive your recorded TV shows to CD or DVD, go to **Create DVD** located on the Media Center **Start** menu and follow all on-screen instructions.

Select **Stop** if you need to stop or cancel a current recording.

Recording Quality and Hard Disk Drive Storage Space

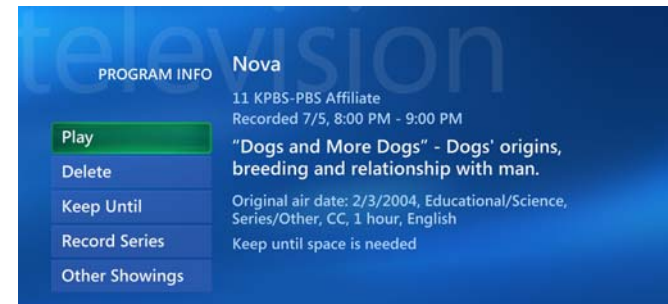
Quality	Space
Best	2.7 GB/hr
Better	2.4 GB/hr
Good	1.4 GB/hr
Fair	1.2 GB/hr

Watch Recorded Programs

Start | My TV | Recorded TV

Recorded TV is the storage place for all your recorded programs. In the **Recorded TV** window, you can sort your programs by name, date, or category. You can also delete a recorded program or series of programs.

To watch a recorded program, simply locate and select the program, and then select **Play**.



Use the arrows on your remote control to move to a menu option or program. Press the **OK** button to make your selection.

Search for a Program

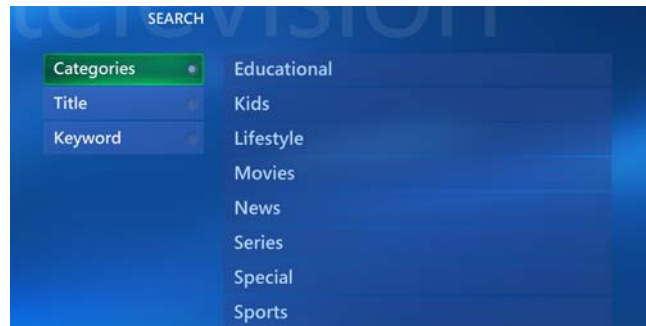
Start Menu | My TV

Media Center **My TV** has an easy to use search feature that lets you quickly locate the program you want to watch or record.

You can search by **Categories**, **Title**, or **Keyword**.

The results from your search can be viewed in a list sorted by day for the number of days remaining on your current guide listing.

Once you locate the program you want to watch or record, press the **OK** button on your remote control.



Use the arrows on your remote control to move to a menu option and press the **OK** button to make your selection. Use the keypad to enter a **Title** or **keyword**. Results displays on screen automatically.

Search for a Feature Movie

Start | My TV | Movies

When you select the **Movies** menu option, Media Center searches your entire TV Guide listing for movies based on your input for what you want to see.

Once you make a movie selection, you can watch the movie, view additional information about the movie, or record the movie.

Note: Access to view restricted channels must be given by your TV signal provider.

Use the arrow keys on your remote control to move to a menu option or movie and press the **OK** button.





My Music

Organize Your Music Files	92
Play Music	93
Queue Music	94
Add Music	95
Create and Organize Playlists	96
Helpful Hints	97

Enjoy a complete listening experience with My Music. You can listen to CDs, view artist information, create and organize your own music playlists, categorize and listen to music by genres, search for music selections, and more.

With Media Center and My Music, you can play your favorite music files and CD's you have added to the Windows Media Player Library.

Note: You can also use the Windows Media Player to play music and add, delete, categorize, and organize your music files. However, if you use Windows Media Center's My Music for your listening entertainment needs, you will have the added benefits of Sony's VAIO enhanced features. Please see Windows Media Player Help for additional information.

Organize Your Music Files

Start | My Music

With Media Center, it is easy to store and organize music files that you have added from your favorite CD's or have downloaded from the Internet.

For you to listen to music in Media Center, the files must be stored in a location that Media Center looks in.

First, add and organize the music files into the **My Music** or **Shared Music** folders.

In the **My Music** folder, you can create new folders or copy in other folders to better organize your files.

If you are connected to a home network and wish to share your music files with others, copy the files to the **Shared Music** folder.

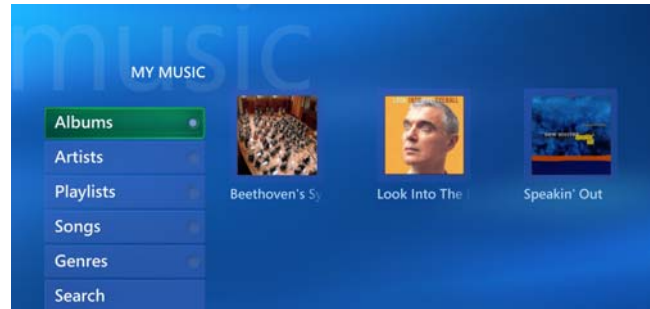
If a music file is downloaded or stored in a folder other than **My Music** or **Shared Music**, you can add that folder(s) to the folder list that Media Center looks in.

From your remote control, press the **MORE INFO** button, or right-click using your mouse anywhere in **My Music** to view this menu. Select **Add Music** and follow the on-screen instructions.

Play Music

Once you've placed your music files in the **My Music** library, you are ready to listen to your favorite song, album (CD), or playlist.

Media Center provides you with several categories in which to sort your music files for easy locating.



Albums (CDs)	Shows thumbnail of cover and title, if connected to the Internet.
Artists	Lists artist name and additional information about the artist.
Playlists	Lists playlists that you've created from Media Center/-Player.
Songs	Lists song title, length, and additional information, if selected.
Genres	Lists genres categories, such as Classical, Jazz, and Rock.

To listen to your music, use the arrows on the remote control to move to a menu option or music selection such as an album, artist, playlist, or song and press the **OK** button. Then select the **Play** menu option.

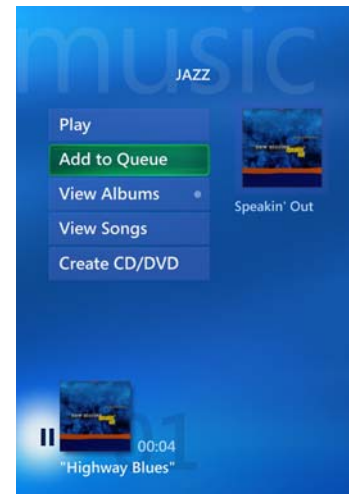
Note: You can also listen to your music from the **Windows Media Player**.

Queue Music

Start | My Music

In Media Center's **My Music**, you can “line up” or queue the music you want to hear. The **Queue** is simply a temporary list of music. By using this feature, you don't have to keep selecting new songs or albums. There can be several pieces of music lined up to play one after the other.

To add music to the **Queue**, use the arrows on the remote control to select music from any of the categories and press the **OK** button. The next screen shows information for that particular piece of music. Move to the menu and select **Add to Queue** and press the **OK** button,



Remember, the Queue is temporary and will go away if you do any of the following:

- Select **Play** instead of **Add to Queue** for another song or album in My Music
- Play media in **My TV** or **My Videos**.
- Close Media Center (This includes logging off, turning off or restarting the Media Center computer, or putting the computer into **Standby** or **Hibernate** mode.)

Add Music

Start | My Music

From a CD

- 1 Press the Media Center **Start** button on the remote control, and then select **My Music**.
- 2 Insert a CD into the CD drive of the personal computer.
- 3 Select the **Albums** category.
- 4 Select the Album or CD you want to add to your music library.
- 5 Select **Copy CD**.
The first time you copy a music CD, you must select your copy protection options. Follow the on-screen instructions.

As each song finishes copying, an icon appears next to the title.

From the Internet

- Follow all on-screen instructions from the Internet site to download music files to your computer.
- If you download your music files directly to the **My Music** or **Shared Music** folders, Media Center will automatically make the files available to you.
- If you download your music files to any location on your computer, you must add that location in Media Center by pressing the **MORE INFO** button on your remote control and then selecting **Add Music**.
- Locate and select the folder where you downloaded the music files and then select **Finish**. Media Center will add the folder to the **My Music** library.

Create and Organize Playlists

Start | My Music

A Playlist is a customized list of songs you can keep to play at a later time or record to CD. Using Playlists, you can group your favorite digital music files together and determine the order in which you want the files to play. You can create a Playlist that includes several tracks from various CDs or even a Playlist that contains background music for a slide show. To create a Playlist, do the following:

- 1 Select a song and add to the queue.
- 2 Move to the viewport screen and press the **OK** button to select it.
- 3 From the Queue screen, select the **Edit Queue** menu option.
- 4 From the Edit Queue screen, select **Save As Playlist**.
- 5 Enter a name for your new Playlist and select **Save**.



Use the arrows on your remote control to move to menu options, songs, or the viewport window and press the **OK** button to make your selection. Use the numeric keypad to enter a name for your new Playlist.

Note: You can create Playlists in Windows Media Center or from within Media Player.

Helpful Hints

Selecting a Visualization

From Media Center, select **Settings**, and then **Music**. Go to **Visualizations Options** to choose when and how the visualizations display.

Then go to **Visualizations** to choose from eight different graphical patterns.

Add/Edit Queue Meta Data

From Media Center's My Music, select an album, artist, song, or playlist. Press the **MORE INFO** button on the remote control, and select the **Edit** menu option.

From the Edit screen, enter or modify the Queue meta data as necessary.

Create a CD/DVD

From Media Center, select **My Music** and then select the music you want to copy.

Select Create CD/DVD and follow the on-screen instructions.

Supported File Types

CD Audio - .cda

MP3 - .mp3, .m3u

Windows Audio File - .wav

Windows Media Audio Files - .asx, .wm, .wma, .wmv, .wmp, .wmx



Create DVD

Main Screen

99

Your DLS computer provides you with various methods of creating your own DVDs. **Create DVD**, unique to VAIO® PCs with MCE, is the only method where you can control the entire process with your remote control.

For additional methods for creating DVDs, go to **More Programs**.

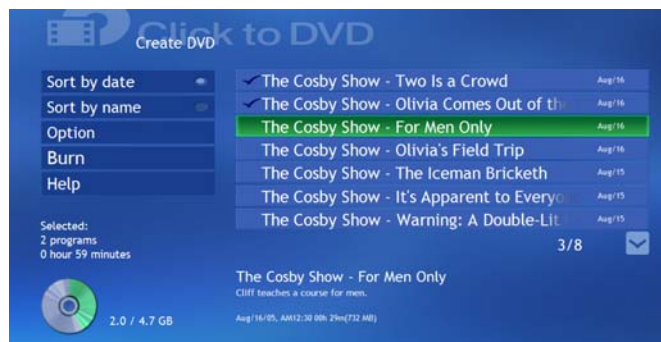
IMPORTANT: Sony supports the lawful use of technology and does not endorse or encourage the use of our products for purposes other than those permitted by copyright law.

TV programs and commercial DVDs that have been encrypted (protected) by the broadcaster cannot be copied and played back on any player other than the one recorded to.

Main Screen

Start Menu | Create DVD

The **Create DVD** main screen shows you a list of all of your TV show recordings. To create a DVD, select the desired recordings from the list. With each recording selected, information about the recording and the DVD displays.



Once you have selected the recording, you can do the following from the menu:

Sort	Sort the list by date or name (title)
Option	Takes you to the DVD Settings screen where you can select a theme or category and playback settings for the DVD. Select Configuration to choose the drive for creating the DVD.
Burn	Starts the Creating DVD process. A progress bar displays.
Help	Opens the Click to DVD Help file for reference.
	Please read and follow all on-screen instructions.



More Programs

From **More Programs**, Sony's advanced features offers you direct access to various programs that can enhance your entertainment experience.

Create CD/DVD	Burn pictures for slide shows, video files, and recorded TV.
Create DVD	VAIO added value program to archive recorded TV shows.
Internet Explorer	Opens a version of Internet Explorer that can be controlled through your remote control.
InterVideo	Allows you to define audio and visual settings.
Messenger	Opens Windows Messenger for instant text messaging.
Sync to Device	Assists in synchronizing media to a portable media device.

More Programs: Helpful Hints

Each of the programs that **More Programs** offers you access to, contains a **Help** file to provide you with the assistance you need to complete your desired tasks. Please review the help information to find out more about each of these programs.

Internet Explorer

Your VGX-XL1 personal computer allows you to search the Internet from the comfort of your favorite chair using the wireless keyboard (**recommended**) or the VAIO remote control.

To use your remote control, must perform the following setup procedures:

- From **Internet Explorer**, go to **Tools > Remote Control Option** and select the **Enable Remote Control** ... check box.

When you first open Internet Explorer using your remote control, you will see an **Operation Guide** located at the bottom of the screen. From here, you can access various **Modes** such as scrolling, navigation and others.

- Use the **Channel +/-** button on the remote control to access the **Operation Guide**.
- Use the **MORE** button on the remote control to access a toolbar that contains several functions button, including how to exit Internet Explorer.

Thank you for purchasing the Sony® VAIO® VGX-XL1 Living Room Entertainment Computer.